

US00D846651S

(12) **United States Design Patent** (10) **Patent No.:** **US D846,651 S**  
**Colvin et al.** (45) **Date of Patent:** **\*\* Apr. 23, 2019**

(54) **GAMING MACHINE SIGNAGE**  
(71) Applicant: **GAMING ARTS, LLC**, Las Vegas, NV (US)  
(72) Inventors: **David Colvin**, Las Vegas, NV (US);  
**Eric D. Colvin**, Las Vegas, NV (US)  
(73) Assignee: **Gaming Arts, LLC**, Las Vegas, NV (US)  
(\*\*) Term: **15 Years**

D453,799 S \* 2/2002 Pan ..... D21/308  
D519,571 S 4/2006 Myers  
D524,380 S 7/2006 Seelig  
D536,390 S 2/2007 Van Ness  
D536,391 S 2/2007 Van Ness  
D559,596 S \* 1/2008 Matty ..... D6/707.2  
D569,919 S \* 5/2008 Zielinski ..... D21/370  
D590,025 S \* 4/2009 Fiore ..... D21/370  
D598,959 S \* 8/2009 Kiddoo ..... D21/385  
D624,604 S 9/2010 Wudtke  
D654,308 S \* 2/2012 Tiemann ..... D7/401.1  
D665,033 S 8/2012 DeSimone  
D665,853 S 8/2012 DeSimone

(Continued)

(21) Appl. No.: **29/638,551**  
(22) Filed: **Feb. 27, 2018**

*Primary Examiner* — George D. Kirschbaum  
*Assistant Examiner* — Joseph J Kukella  
(74) *Attorney, Agent, or Firm* — David L. Berdan

**Related U.S. Application Data**

(62) Division of application No. 29/583,586, filed on Nov. 7, 2016, now Pat. No. Des. 814,575.  
(51) **LOC (11) Cl.** ..... **21-01**  
(52) **U.S. Cl.**  
USPC ..... **D21/385**  
(58) **Field of Classification Search**  
USPC ..... D21/300, 334, 335, 363, 365, 370, 385,  
D21/386, 392, 397; D6/707.2, 707.24;  
D7/401.1  
CPC ..... A63F 2001/001; A63F 2001/003; A63F  
2001/005; A63F 2001/006; A63F 1/062;  
A63F 1/067; A63F 1/08; A63F 1/10;  
A63F 1/12; A63F 1/14; A63F 7/0017;  
A63F 7/0023; A63F 9/20  
See application file for complete search history.

(56) **References Cited**

**U.S. PATENT DOCUMENTS**

D270,799 S \* 10/1983 Creske ..... D6/707.24  
D383,802 S 9/1997 Levy  
D412,347 S 7/1999 DeSimone  
D442,641 S \* 5/2001 Seelig ..... D21/370

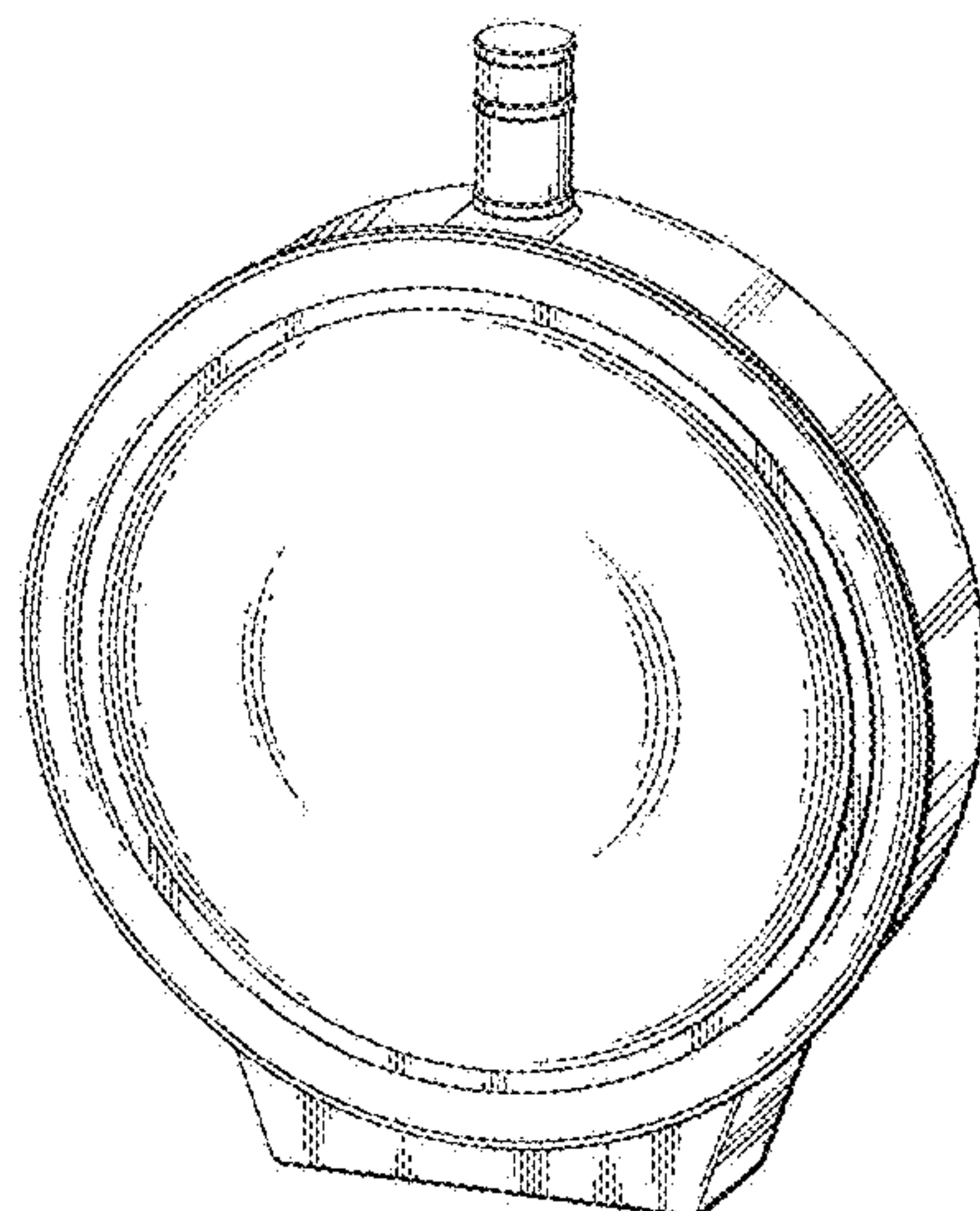
(57) **CLAIM**

The ornamental design for gaming machine signage, as shown and described.

**DESCRIPTION**

FIG. 1 is a perspective view of the gaming machine signage showing our new design;  
FIG. 2 is a front elevational view of the gaming machine signage of FIG. 1;  
FIG. 3 is a left side elevational view of the gaming machine signage of FIG. 1;  
FIG. 4 is a right side elevational view of the gaming machine signage of FIG. 1;  
FIG. 5 is a rear elevational view of the gaming machine signage of FIG. 1;  
FIG. 6 is a top plan view of the gaming machine signage of FIG. 1; and,  
FIG. 7 is a bottom plan view of the gaming machine signage of FIG. 1.  
In the drawings, the broken lines depict environmental subject matter only and form no part of the claimed design.

**1 Claim, 2 Drawing Sheets**



(56)

**References Cited**

U.S. PATENT DOCUMENTS

D681,129 S     4/2013   DeSimone  
D814,575 S \*   4/2018   Colvin ..... D21/385

\* cited by examiner

FIG. 1

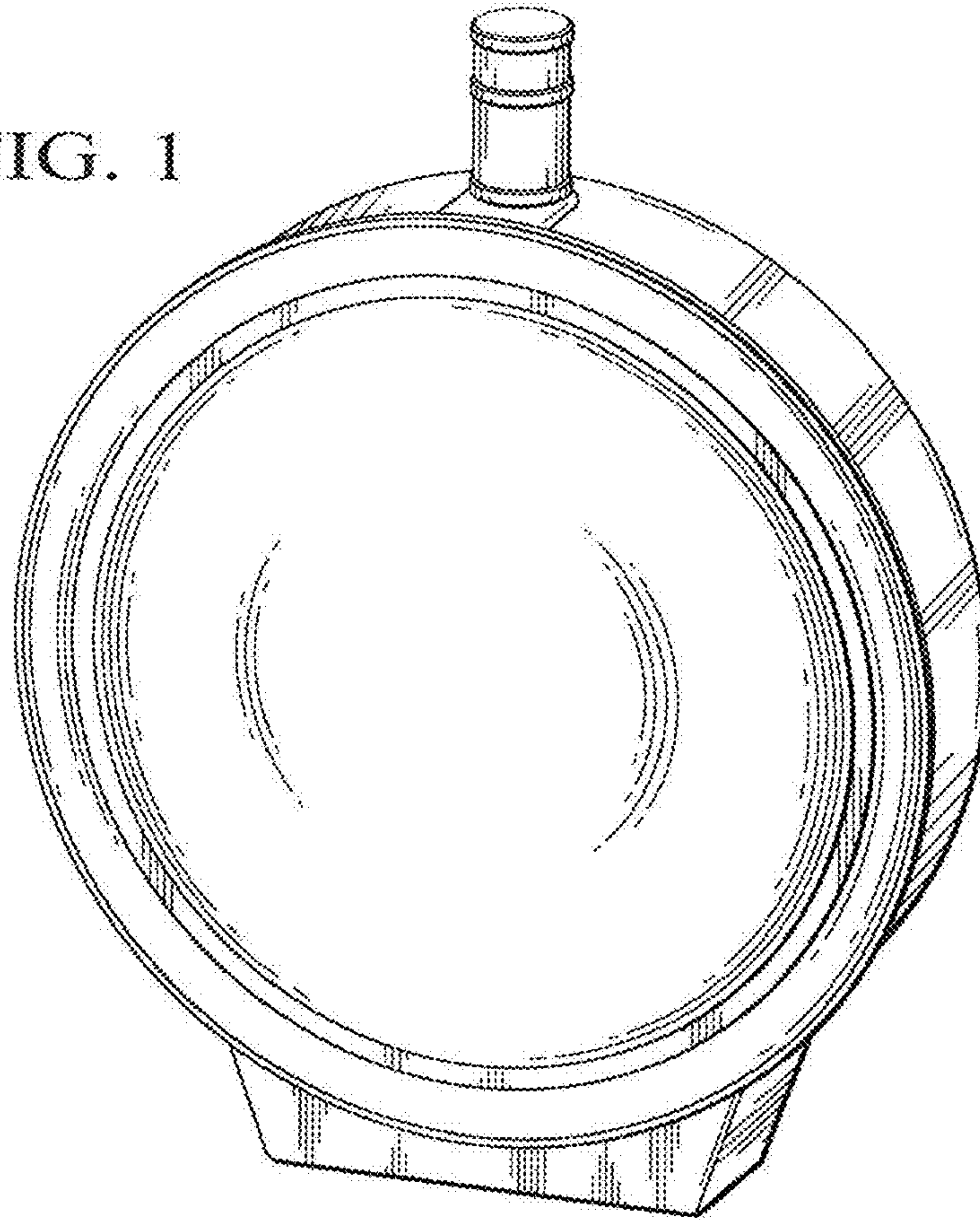


FIG. 2

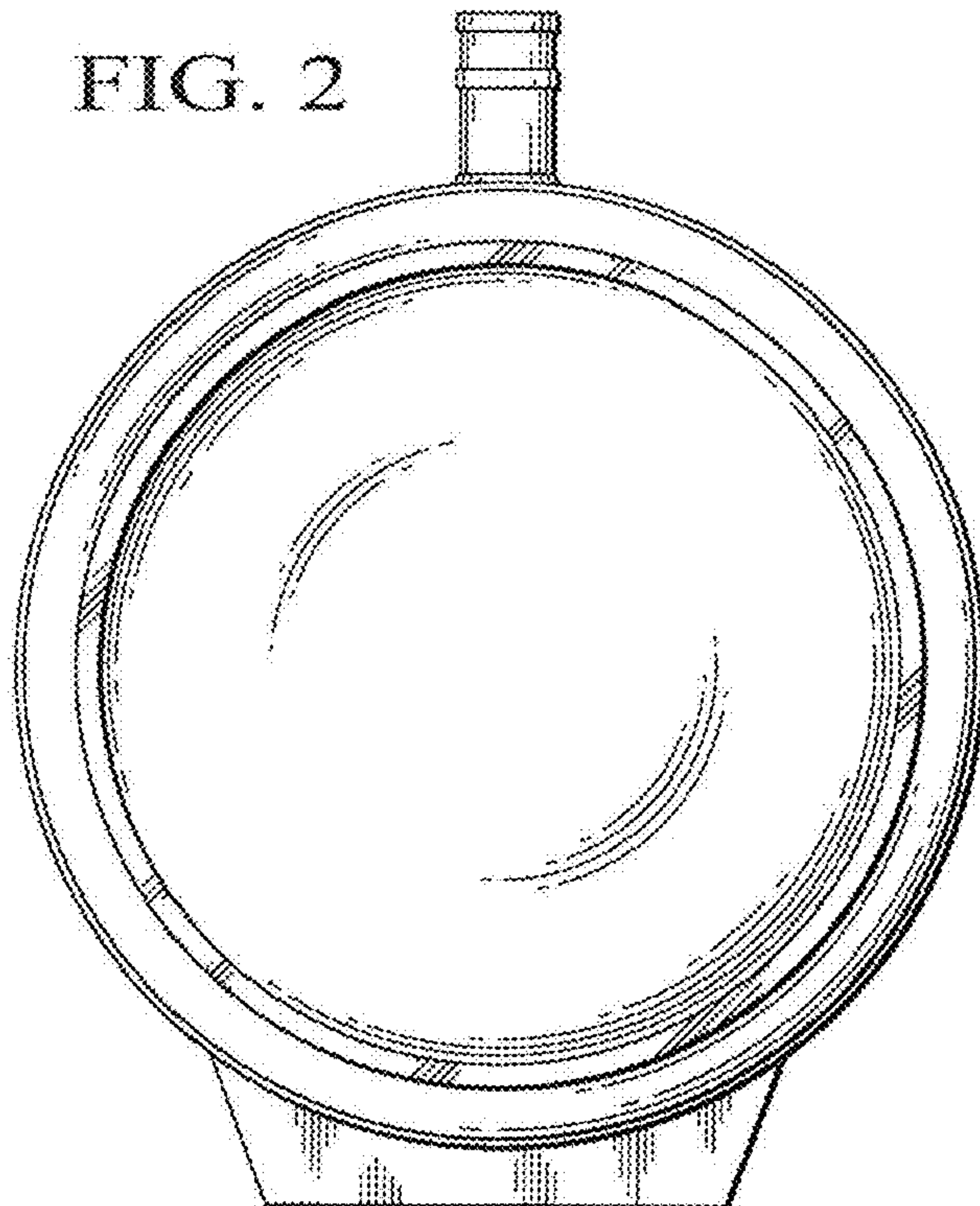
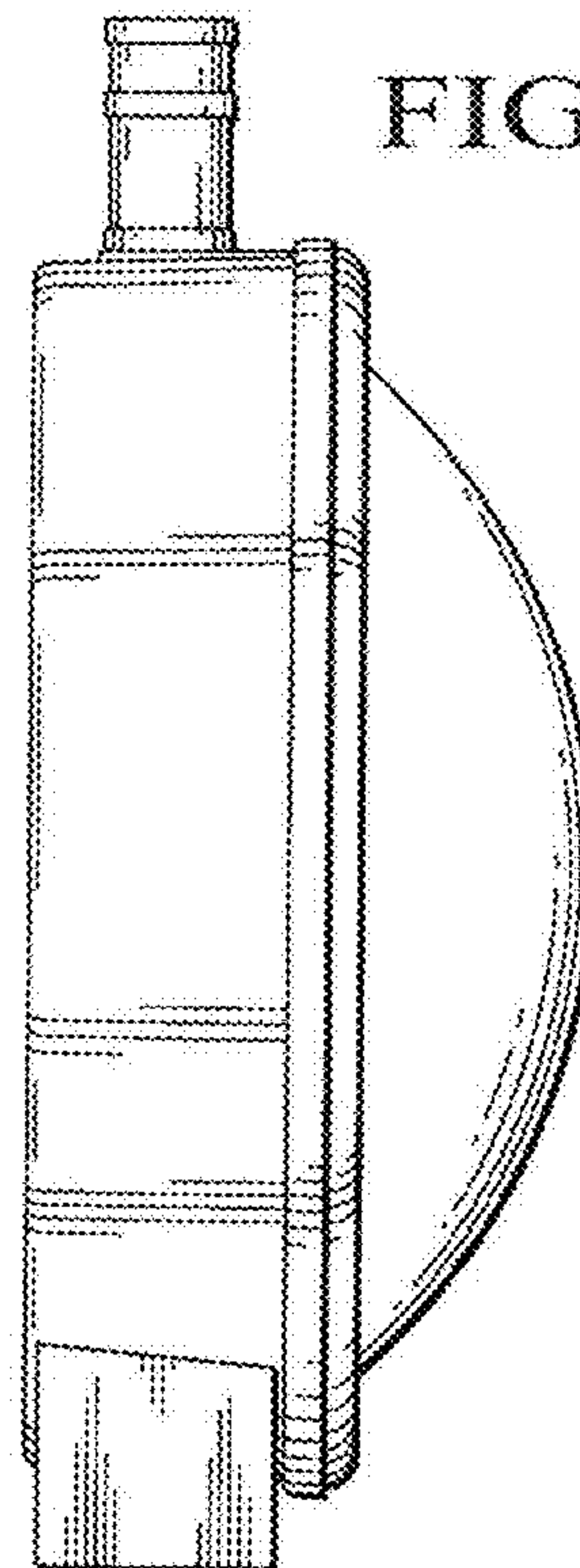


FIG. 3





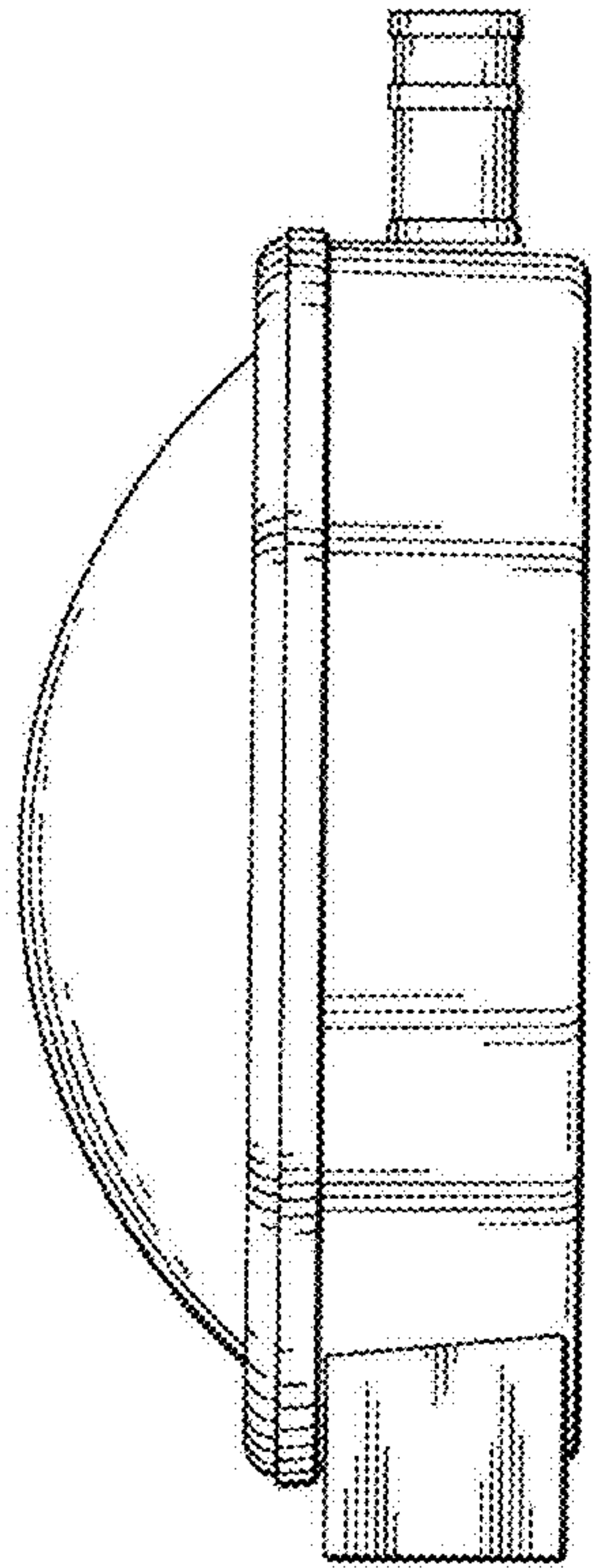


FIG. 4

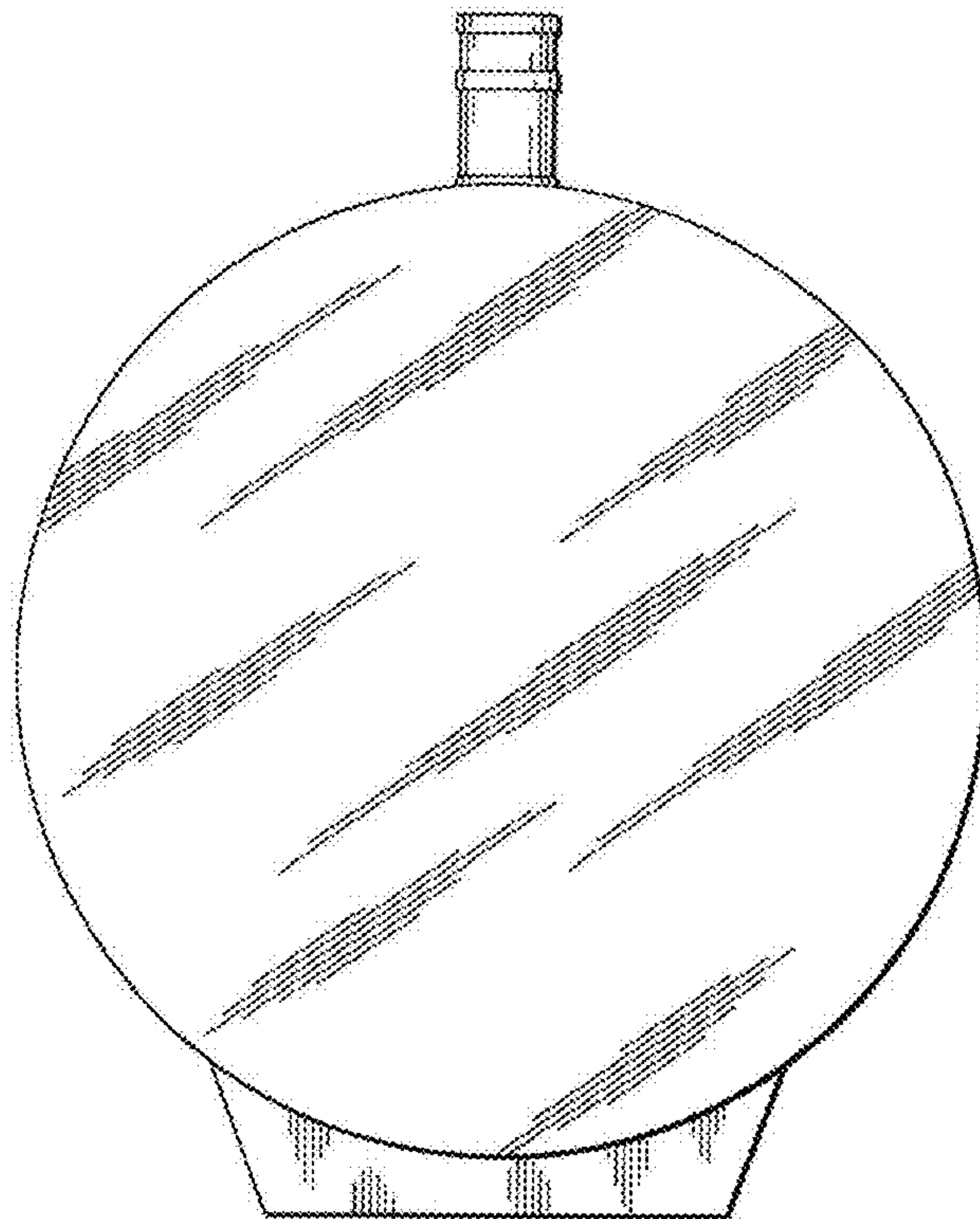


FIG. 5

FIG. 6

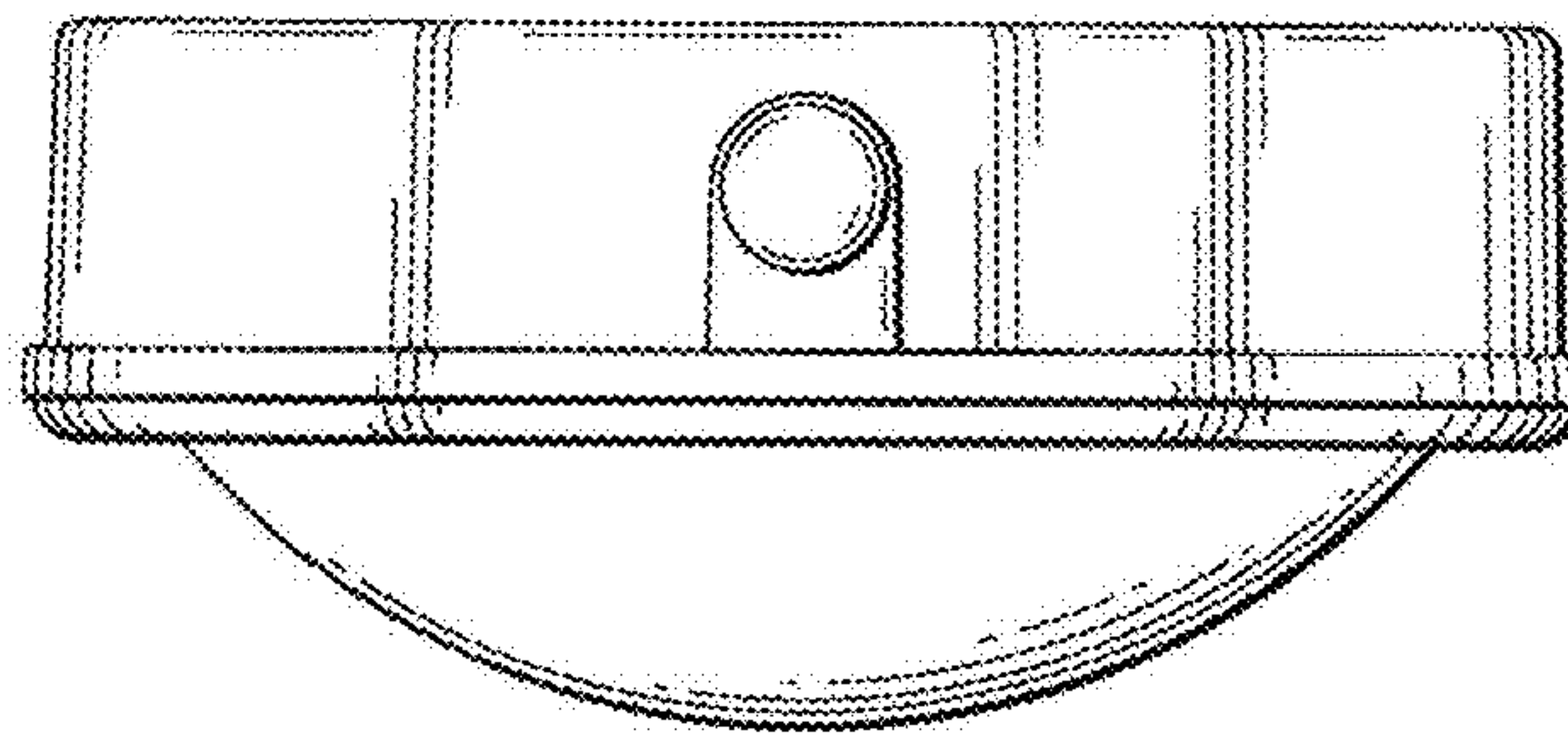


FIG. 7

