

US00D846648S

(12) **United States Design Patent** (10) **Patent No.:** **US D846,648 S**
Ricci et al. (45) **Date of Patent:** **** Apr. 23, 2019**

(54) **SIGN FOR A SHELF**
(71) Applicant: **Dana Industries Inc.**, Etobicoke (CA)
(72) Inventors: **John Ricci**, Kleinburg (CA); **Frank Borges**, Carlisle (CA)
(73) Assignee: **Dana Industries Inc.**, Etobicoke (CA)
(**) Term: **15 Years**
(21) Appl. No.: **29/585,546**
(22) Filed: **Nov. 25, 2016**

Primary Examiner — Mary Ann Calabrese
(74) *Attorney, Agent, or Firm* — Santosh K. Chari; Blake, Cassels & Graydon LLP

(57) **CLAIM**

The ornamental design for a sign for a shelf, substantially as shown and described.

DESCRIPTION

Related U.S. Application Data

(62) Division of application No. 29/526,574, filed on May 11, 2015, now Pat. No. Des. 777,259.
(51) **LOC (11) Cl.** **20-03**
(52) **U.S. Cl.**
USPC **D20/42; D20/43**
(58) **Field of Classification Search**
USPC D20/10, 15, 19, 42-44, 99; D6/300, 308, D6/314, 703.1
CPC ... G09F 1/10; G09F 1/103; G09F 1/12; G09F 1/14; G09F 2001/085; G09F 2001/106; G09F 3/18; G09F 3/185; G09F 3/20; G09F 3/201; G09F 3/202; G09F 3/204; G09F 3/207; G09G 3/08
See application file for complete search history.

FIG. 1 is a top, front perspective view of the sign for a shelf according to a first embodiment.
FIG. 2 is a top, rear perspective view thereof.
FIG. 3 is a front view thereof.
FIG. 4 is a rear view thereof.
FIG. 5 is a left side view thereof.
FIG. 6 is a right side view thereof.
FIG. 7 is a top, front perspective view of the sign for a shelf according to another embodiment.
FIG. 8 is a top, rear perspective view thereof.
FIG. 9 is a front view thereof.
FIG. 10 is a rear view thereof.
FIG. 11 is a left side view thereof.
FIG. 12 is a right side view thereof.
FIG. 13 is a top, front perspective view of the sign for a shelf according to another embodiment.
FIG. 14 is a top, rear perspective view thereof.
FIG. 15 is a front view thereof.
FIG. 16 is a rear view thereof.
FIG. 17 is a left side view thereof.
FIG. 18 is a right side view thereof.
FIG. 19 is a top, front perspective view of the sign for a shelf according to another embodiment.
FIG. 20 is a top, rear perspective view thereof.
FIG. 21 is a front view thereof.
FIG. 22 is a rear view thereof.
FIG. 23 is a left side view thereof; and,
FIG. 24 is a right side view thereof.

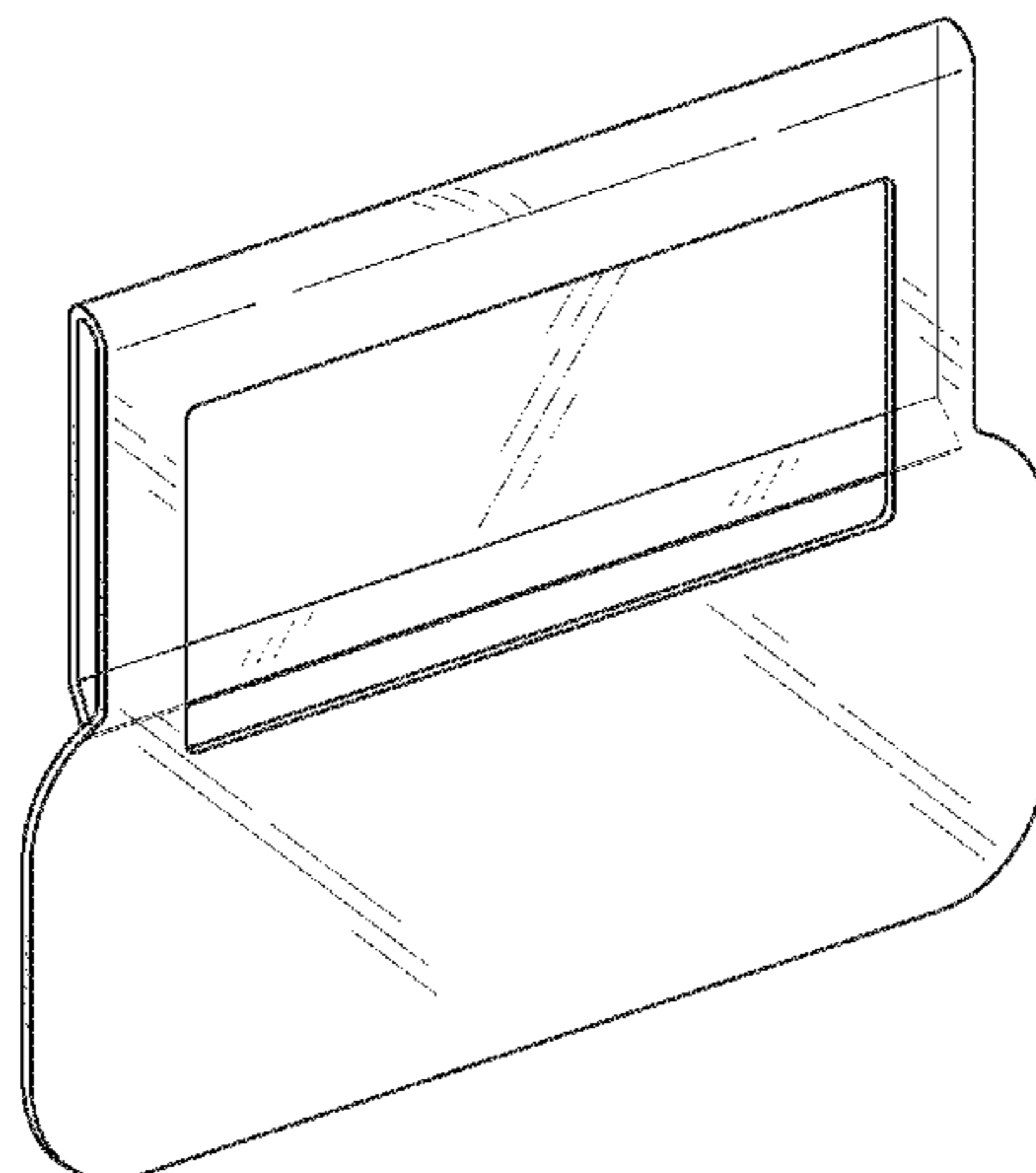
(56) **References Cited**

U.S. PATENT DOCUMENTS

507,393 A * 10/1893 Thomson G09F 1/10 40/658
1,448,823 A 3/1923 Bernard
4,051,615 A 10/1977 Gosanko
4,209,925 A 7/1980 Brugmann
D311,457 S 10/1990 Shapiro
D424,624 S 5/2000 Garfinkle
D439,058 S 3/2001 Freiberg
D538,857 S 3/2007 Lutz

(Continued)

1 Claim, 8 Drawing Sheets



(56)

References Cited

U.S. PATENT DOCUMENTS

7,334,363	B1	2/2008	Hansen	
9,373,273	B2	6/2016	Engelby et al.	
D777,259	S *	1/2017	Ricci	G09F 17/00 D20/42
2008/0244945	A1 *	10/2008	Robbins	G09F 3/204 40/604
2011/0214598	A1 *	9/2011	Tucker	G09F 17/00 116/173
2014/0158846	A1	6/2014	Nicolis	
2015/0332616	A1	11/2015	Ports	

* cited by examiner

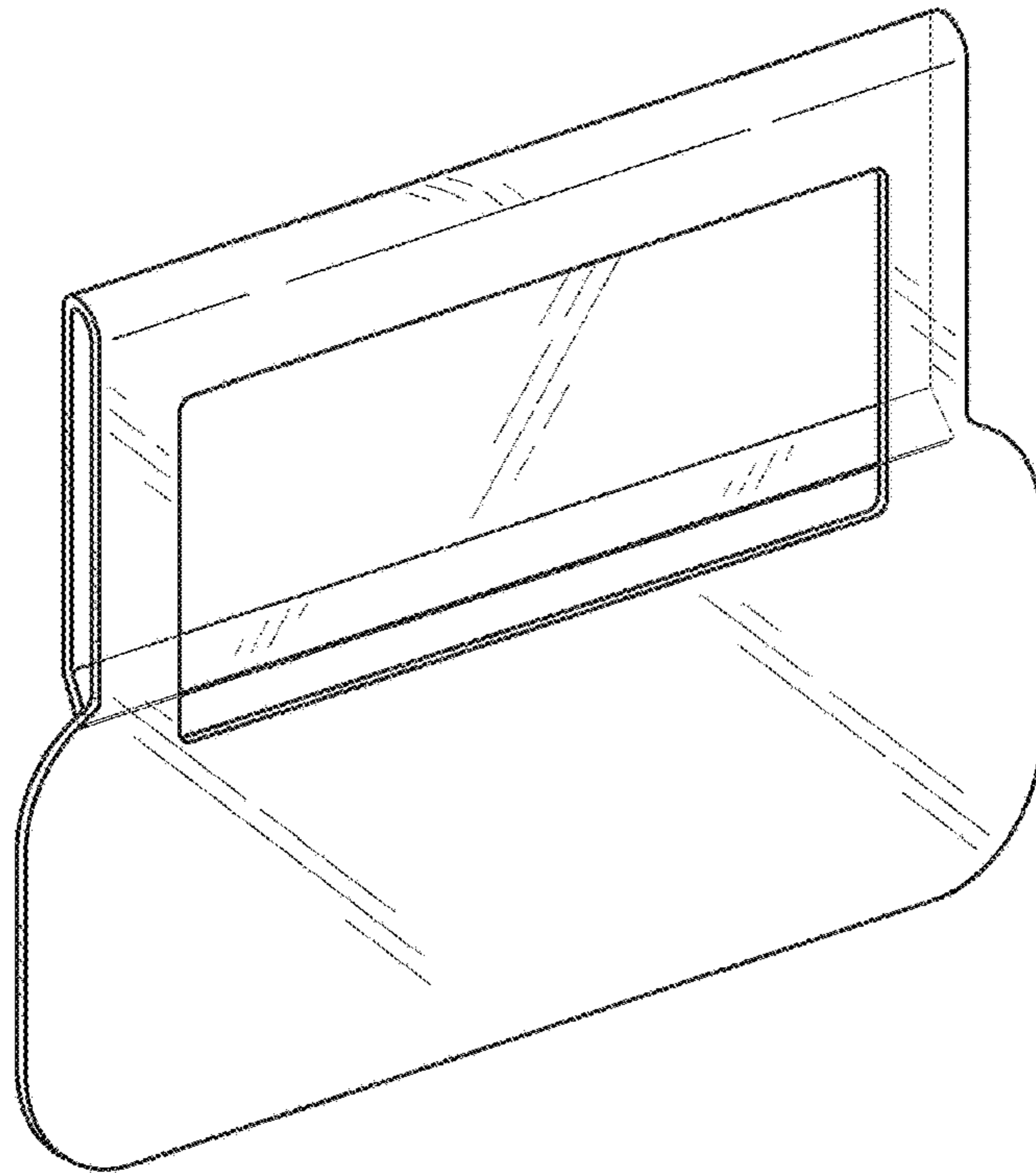


FIG. 1

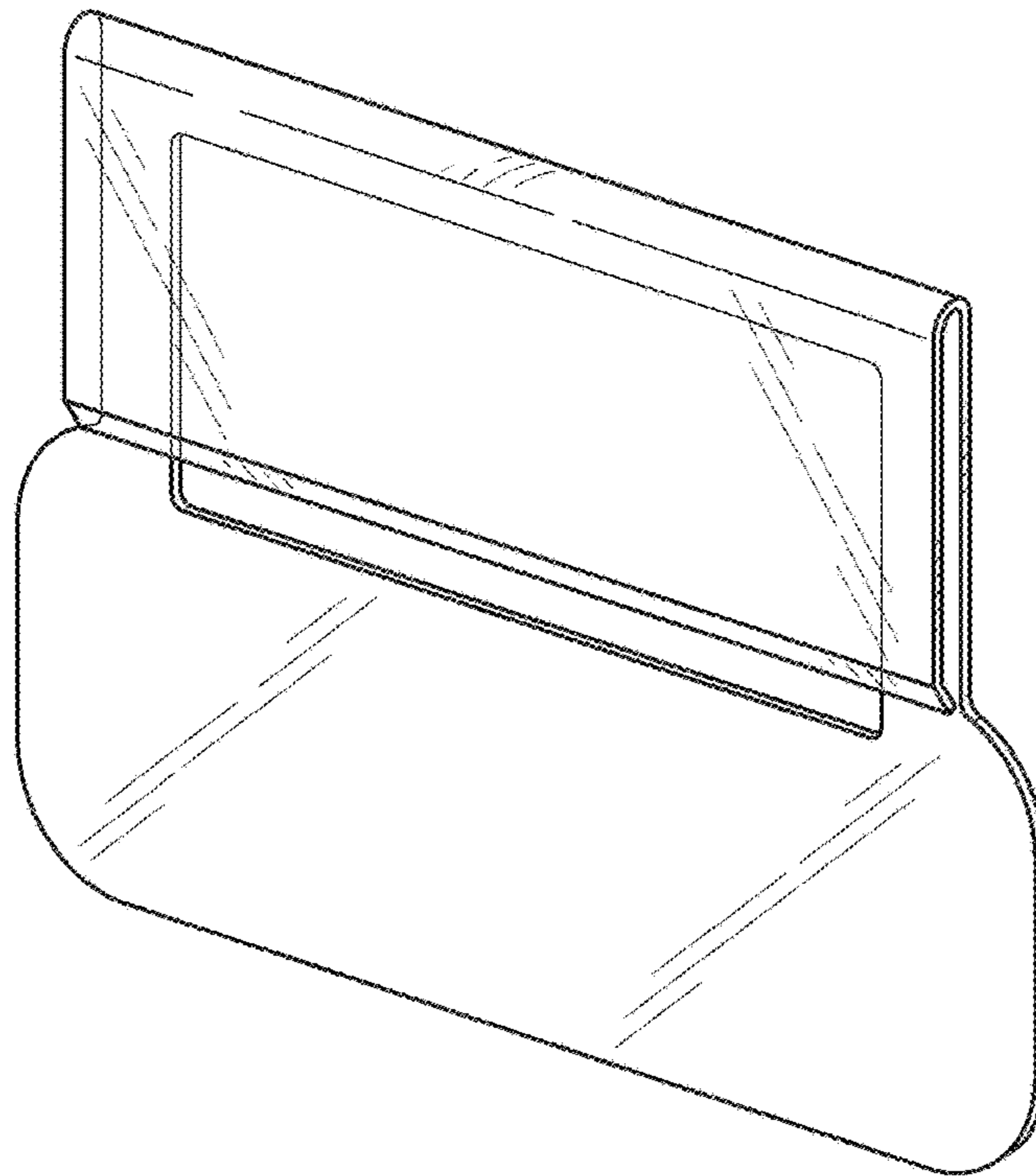


FIG. 2

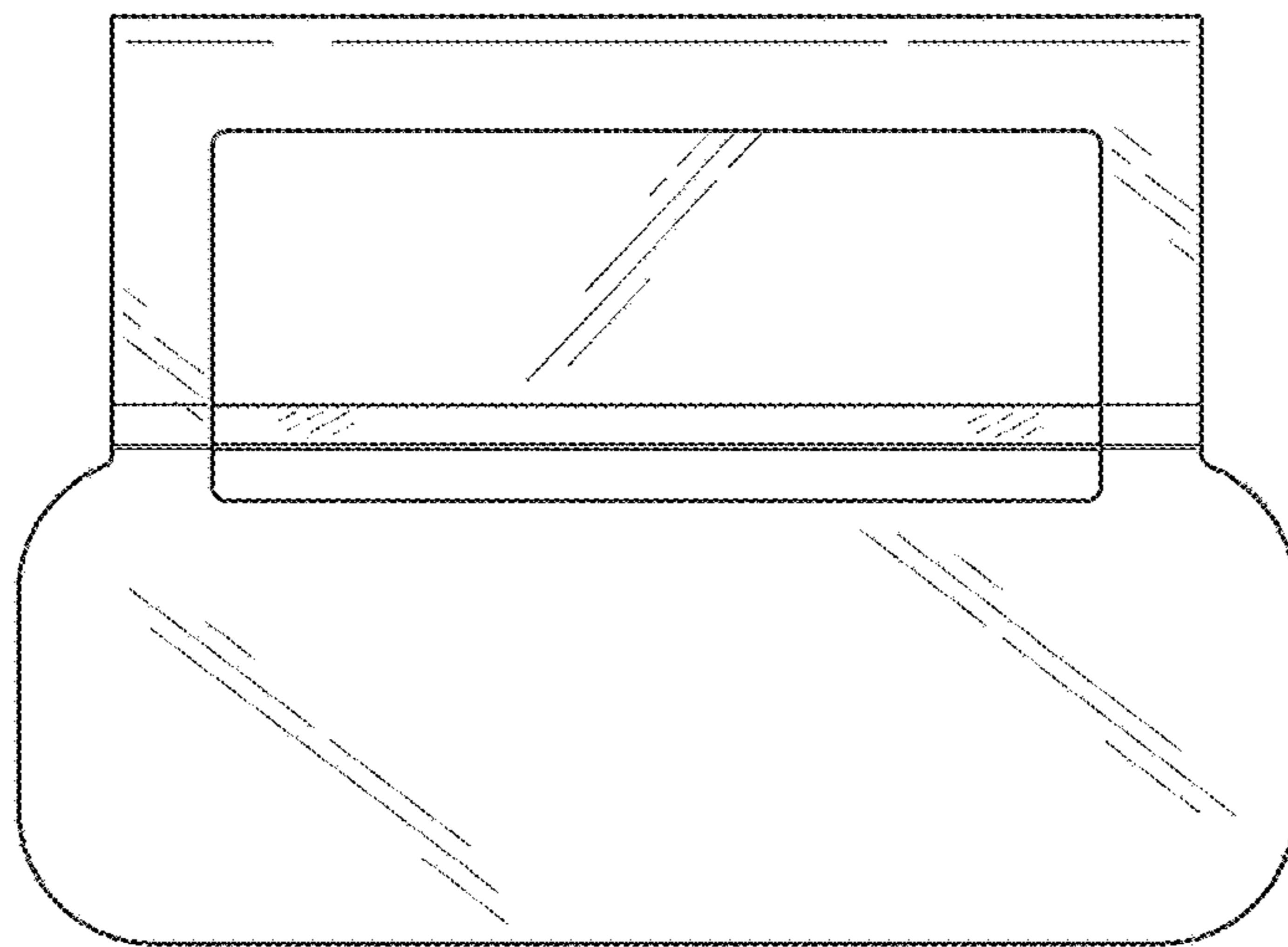


FIG. 3

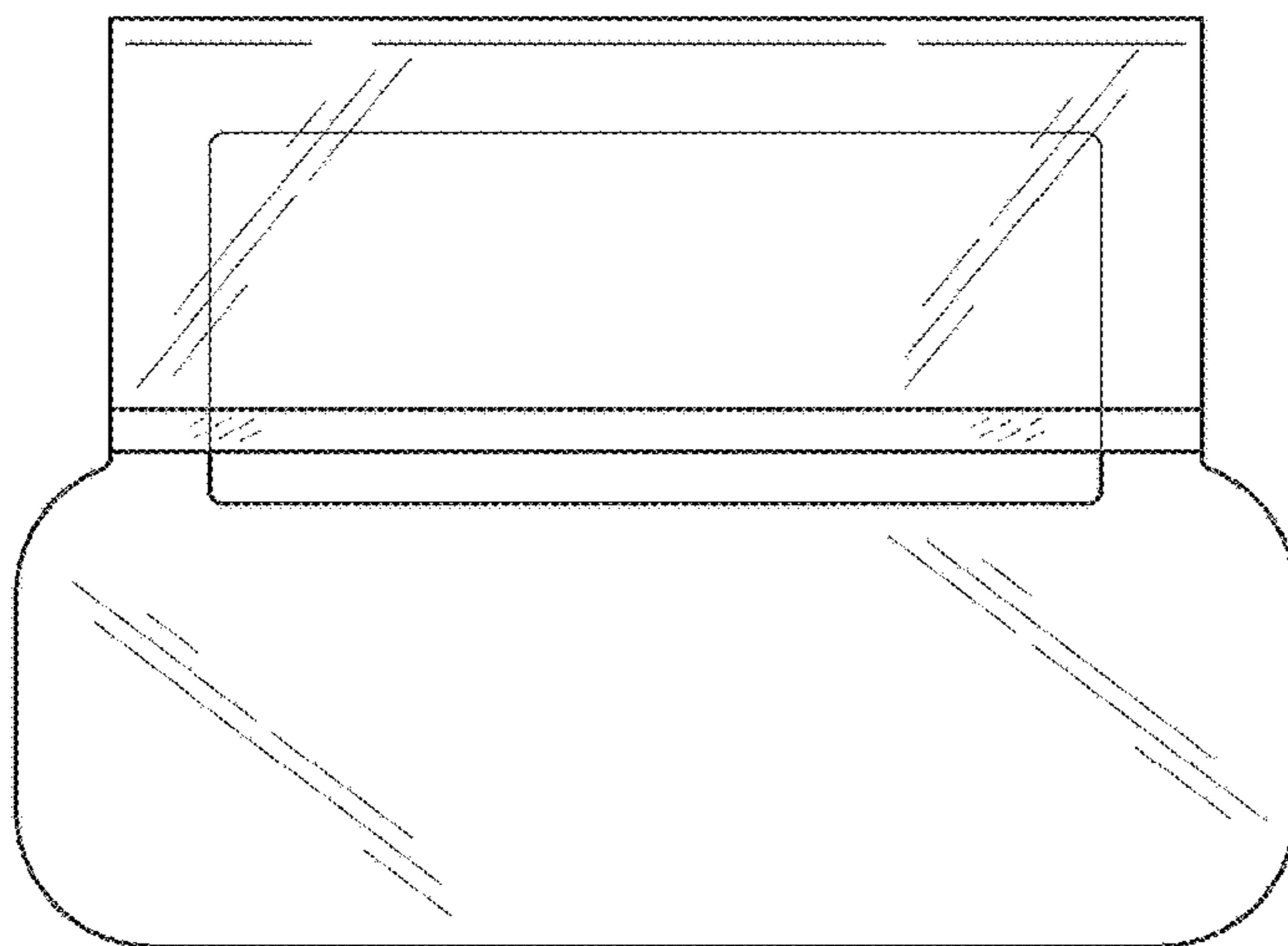


FIG. 4

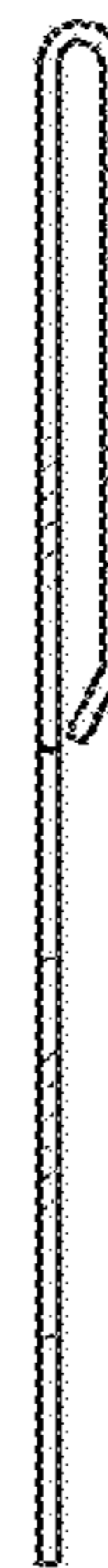


FIG. 5



FIG. 6

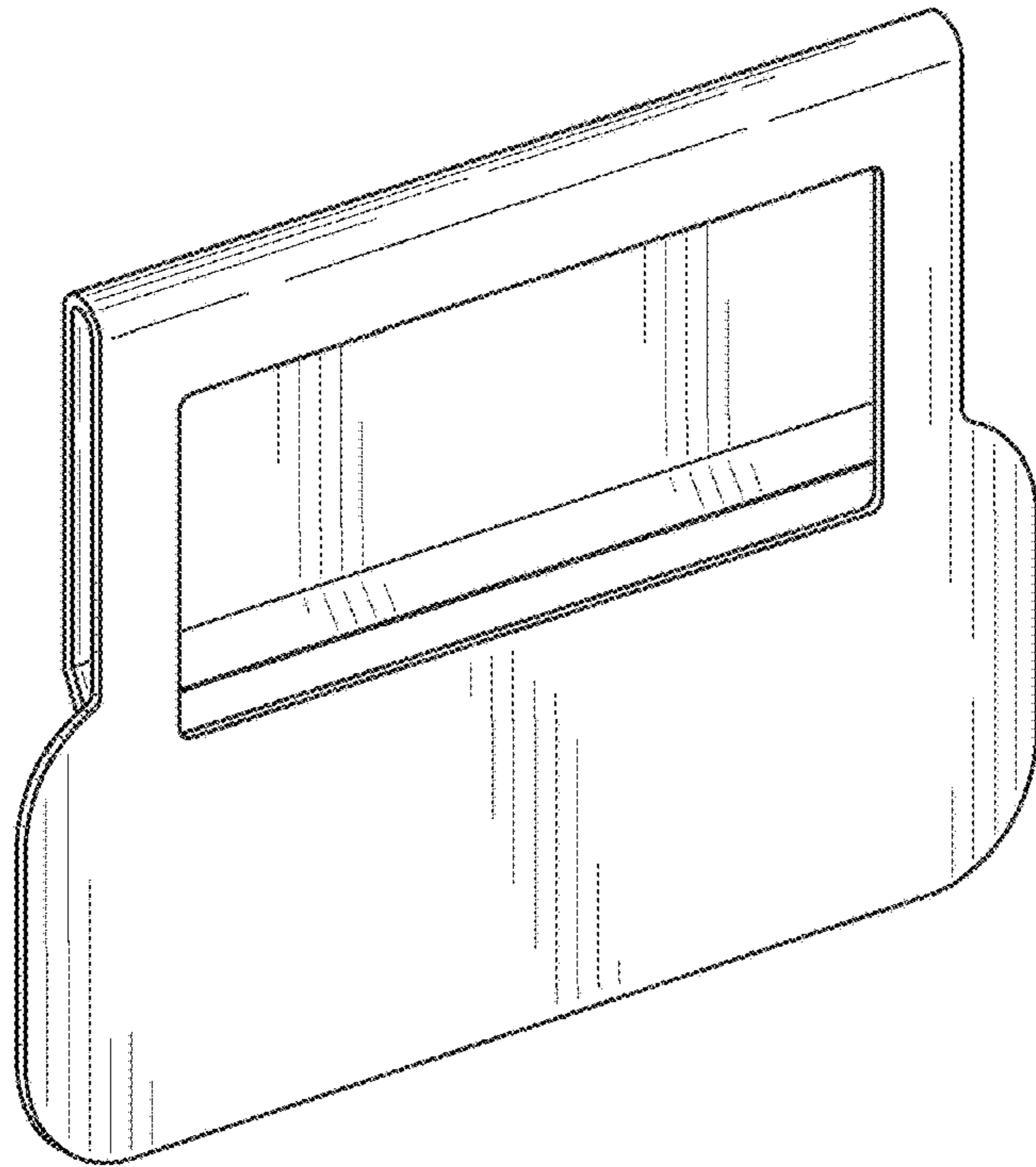


FIG. 7

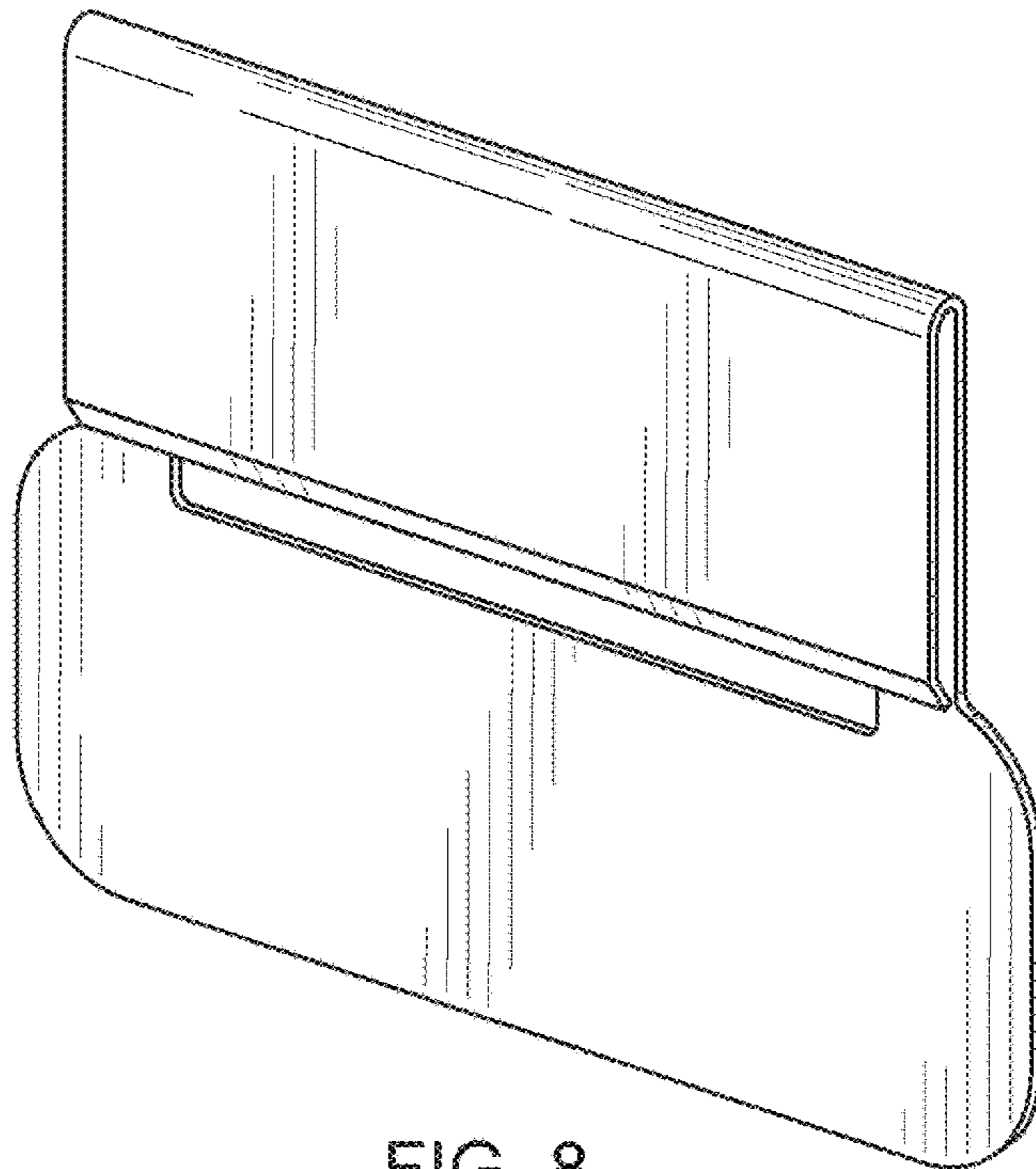


FIG. 8

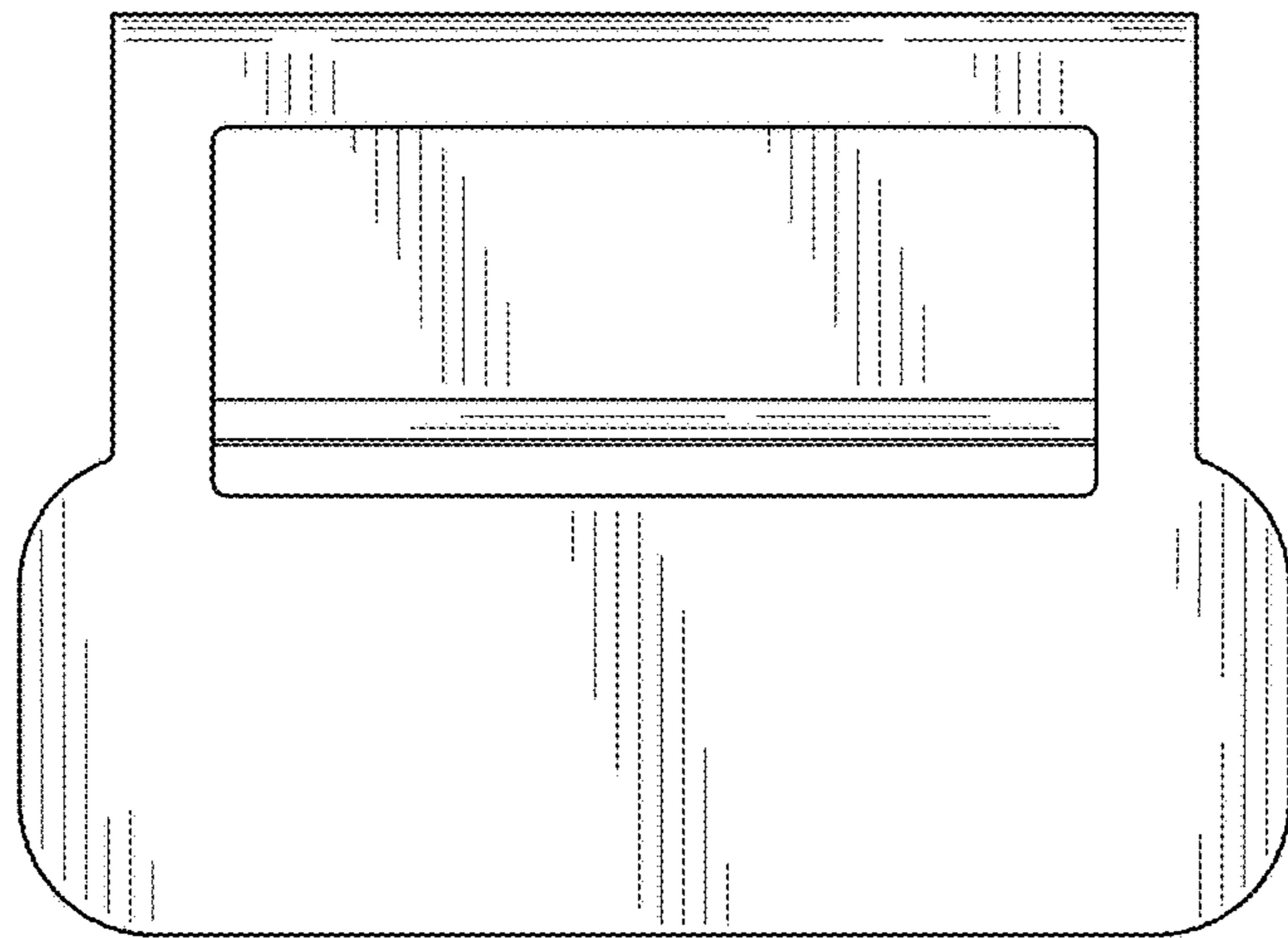


FIG. 9

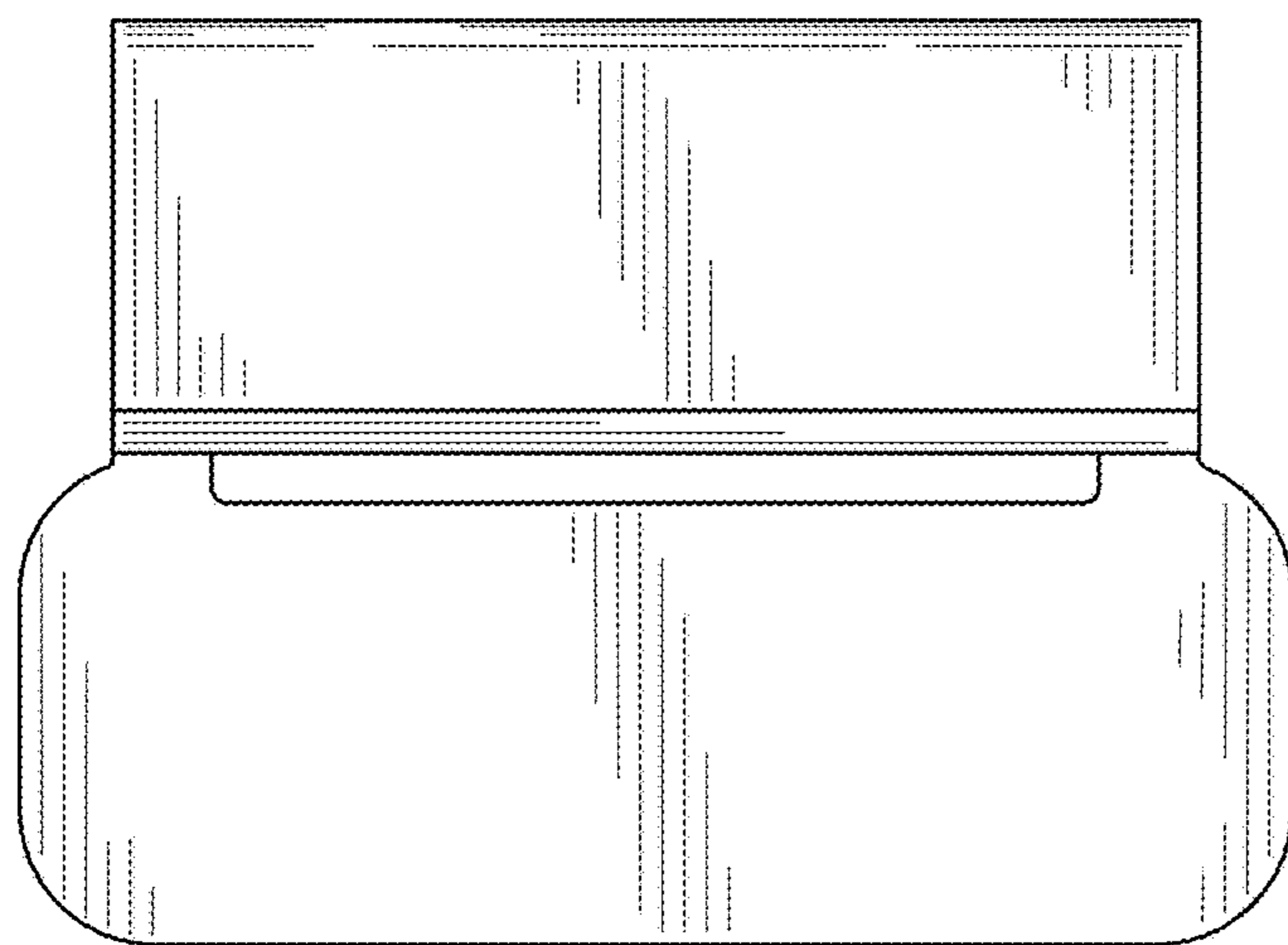


FIG. 10



FIG. 11



FIG. 12

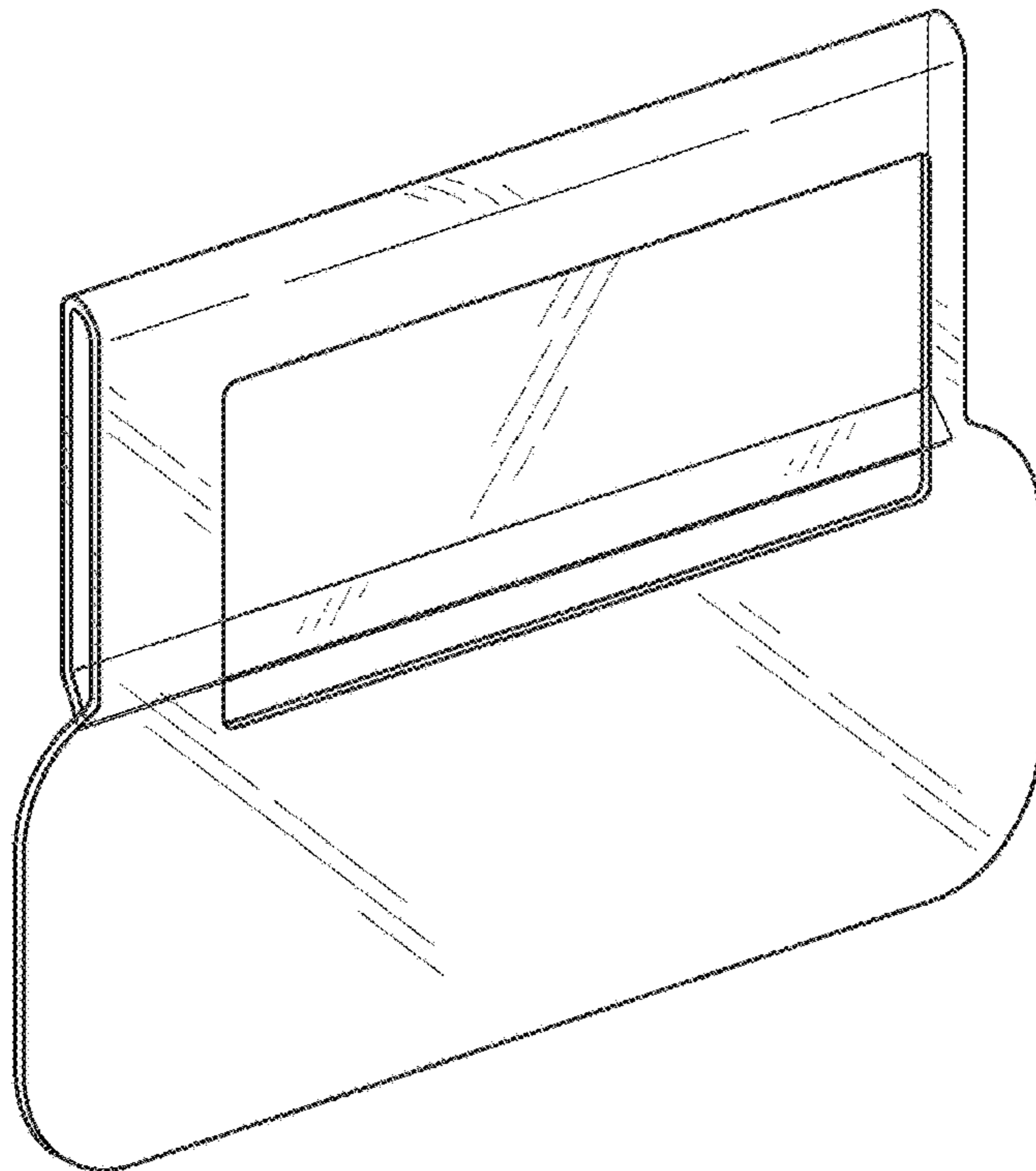


FIG. 13

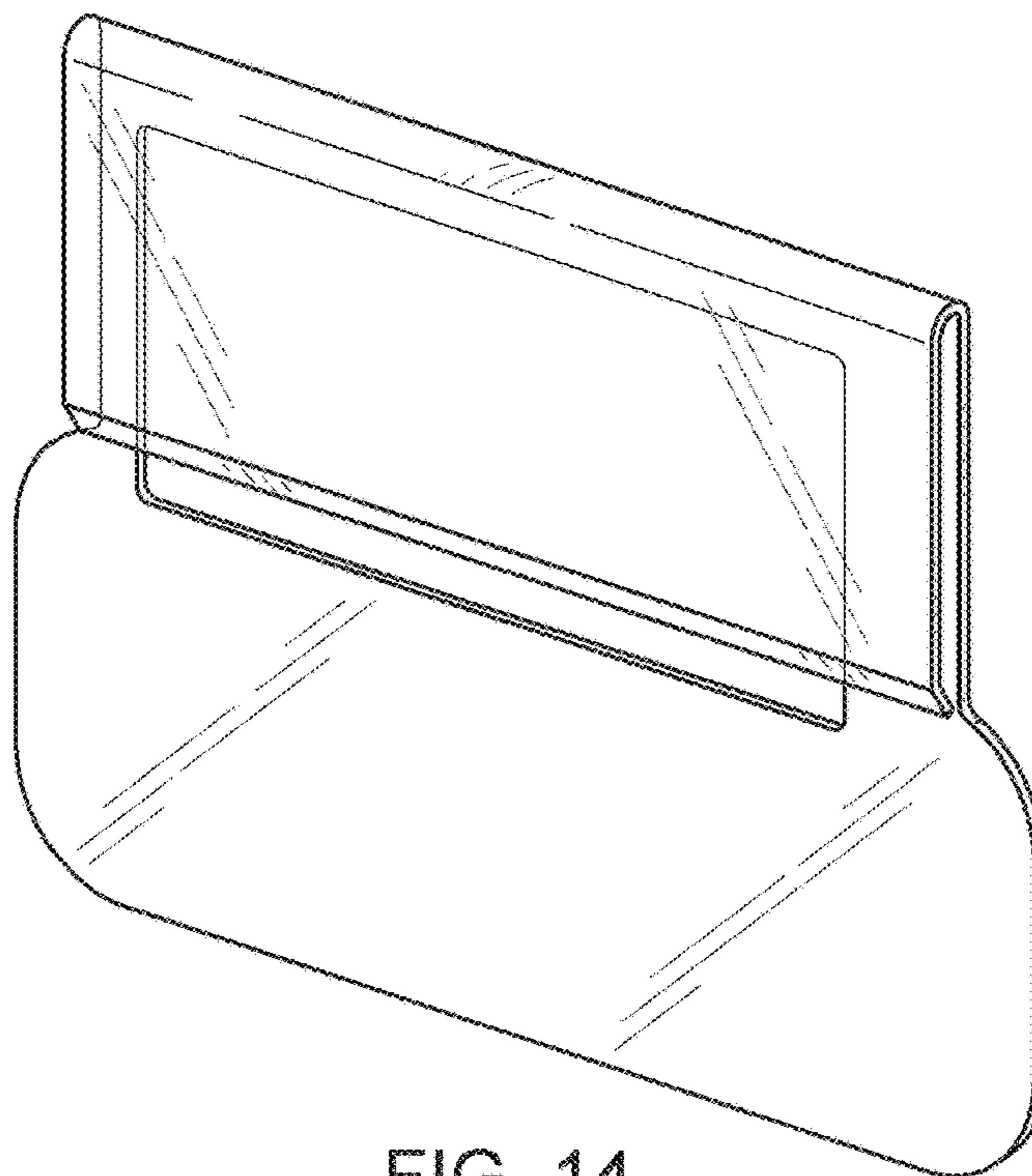


FIG. 14

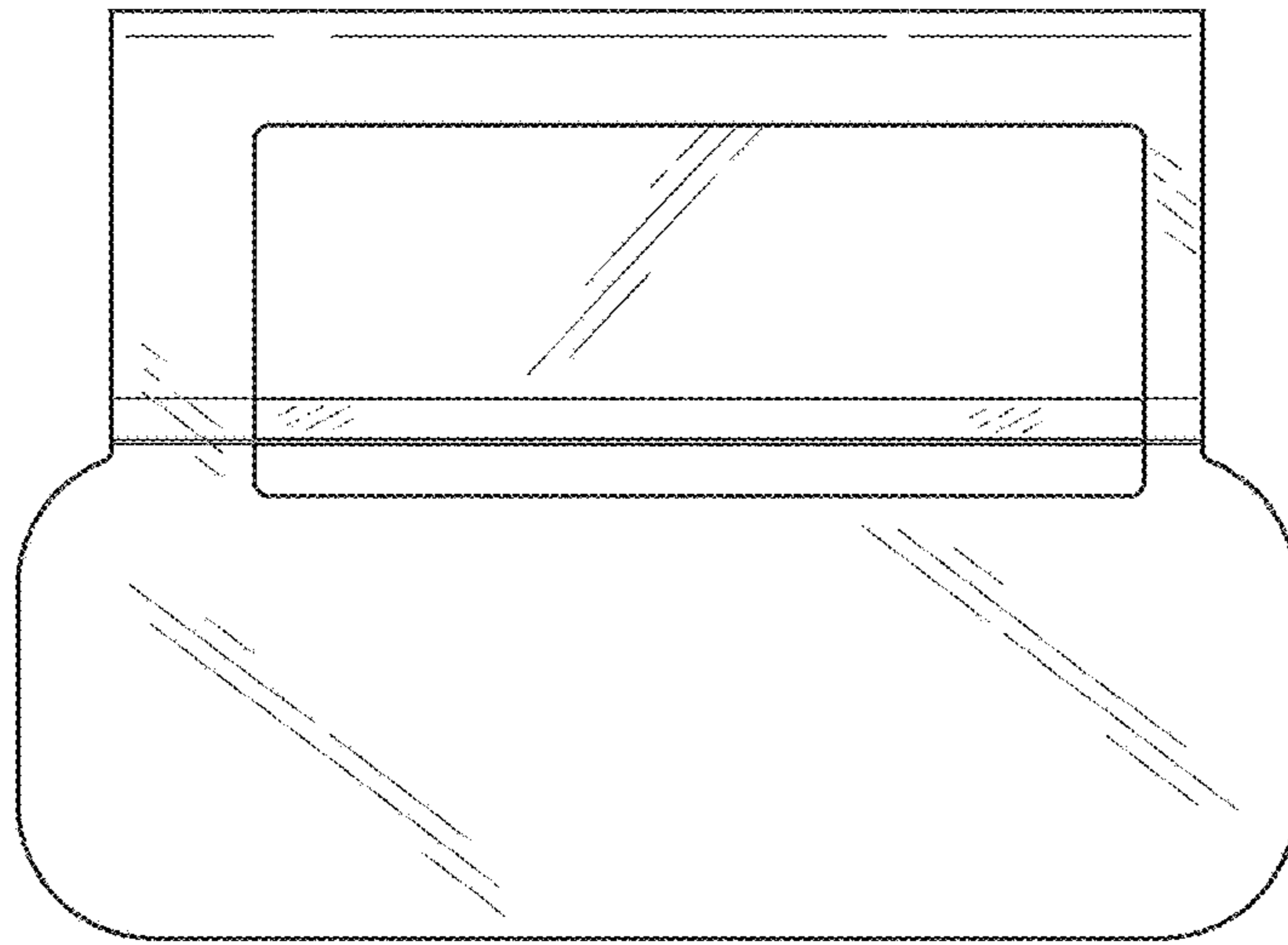


FIG. 15

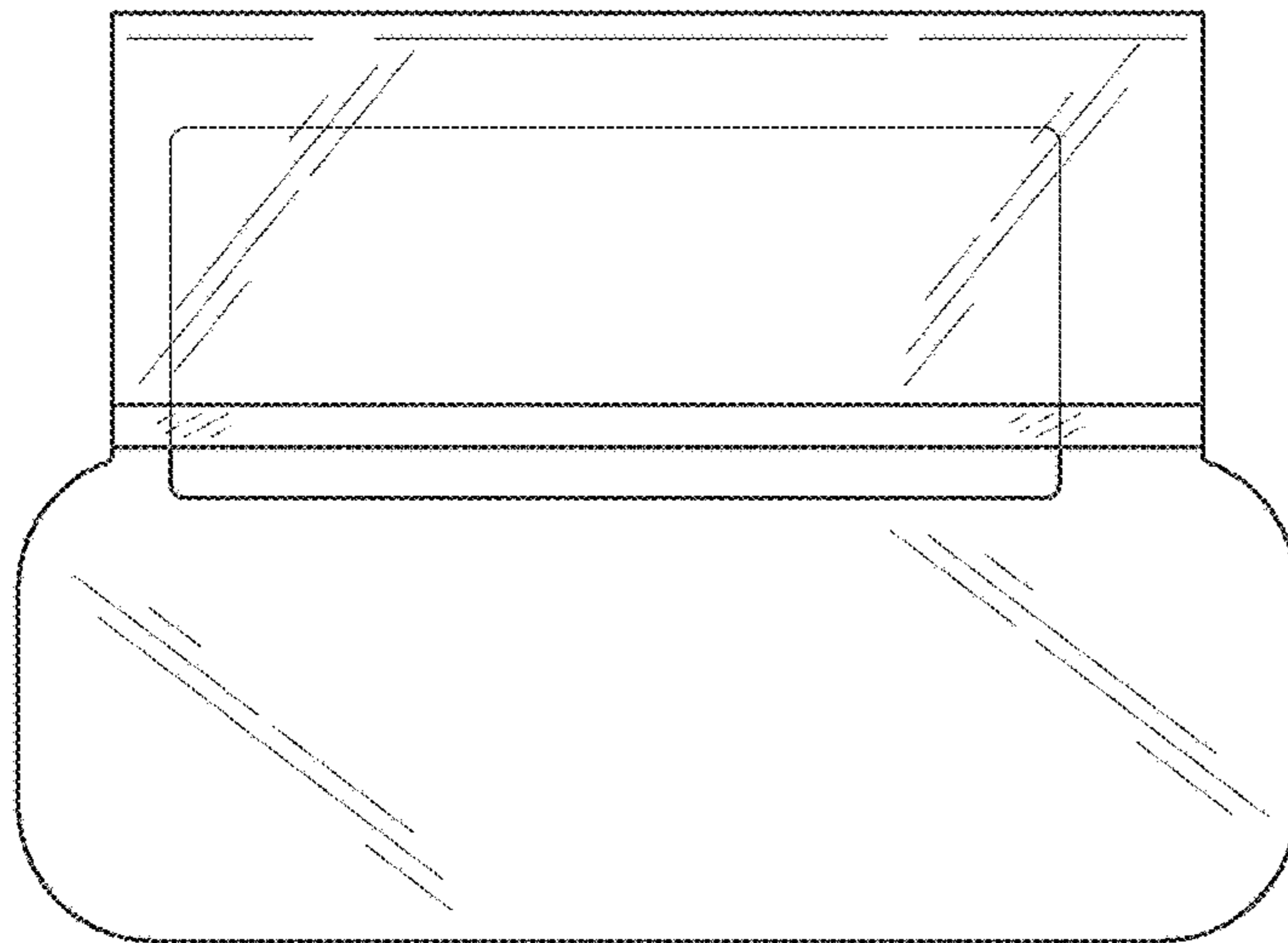


FIG. 16



FIG. 17



FIG. 18

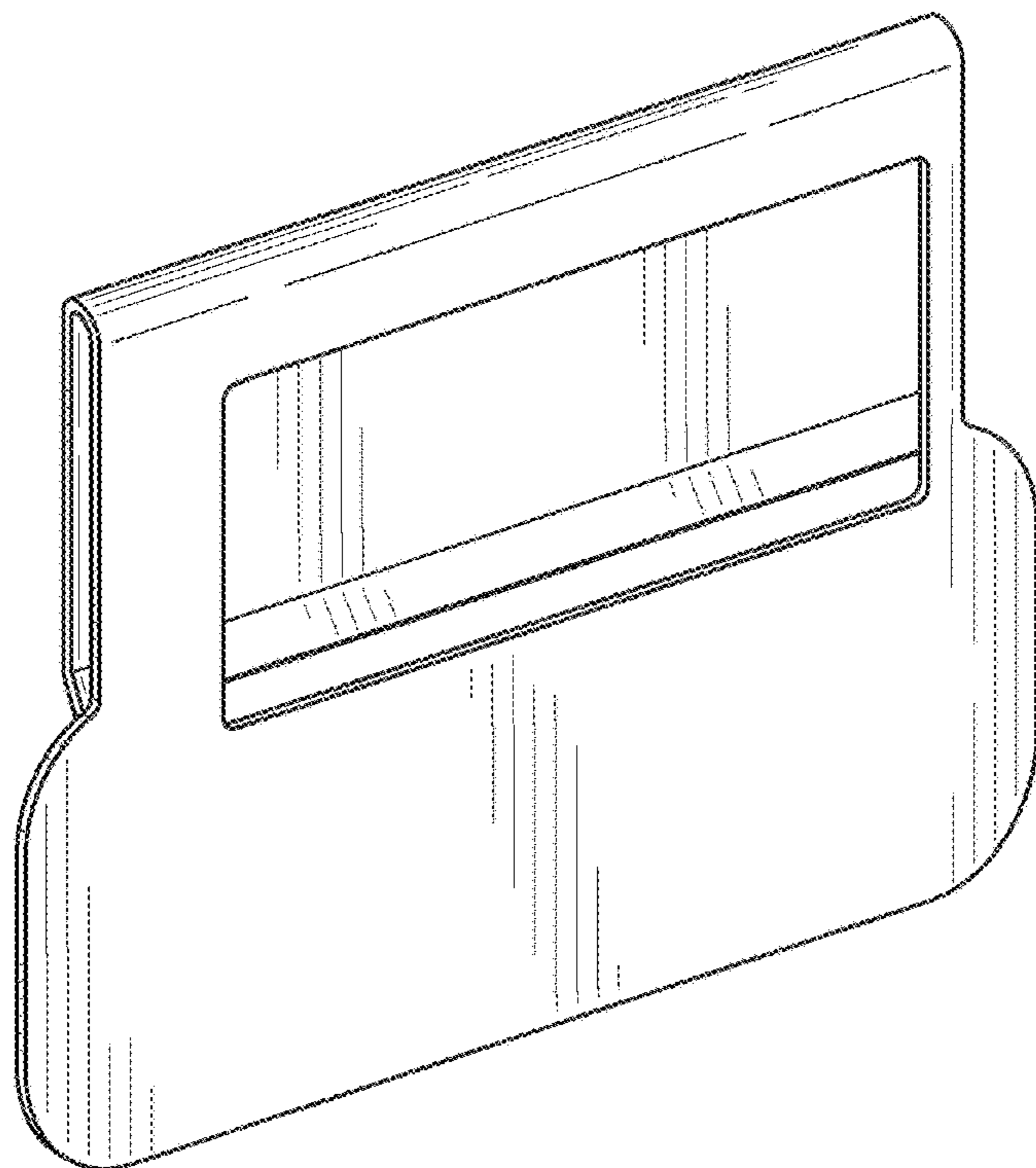


FIG. 19

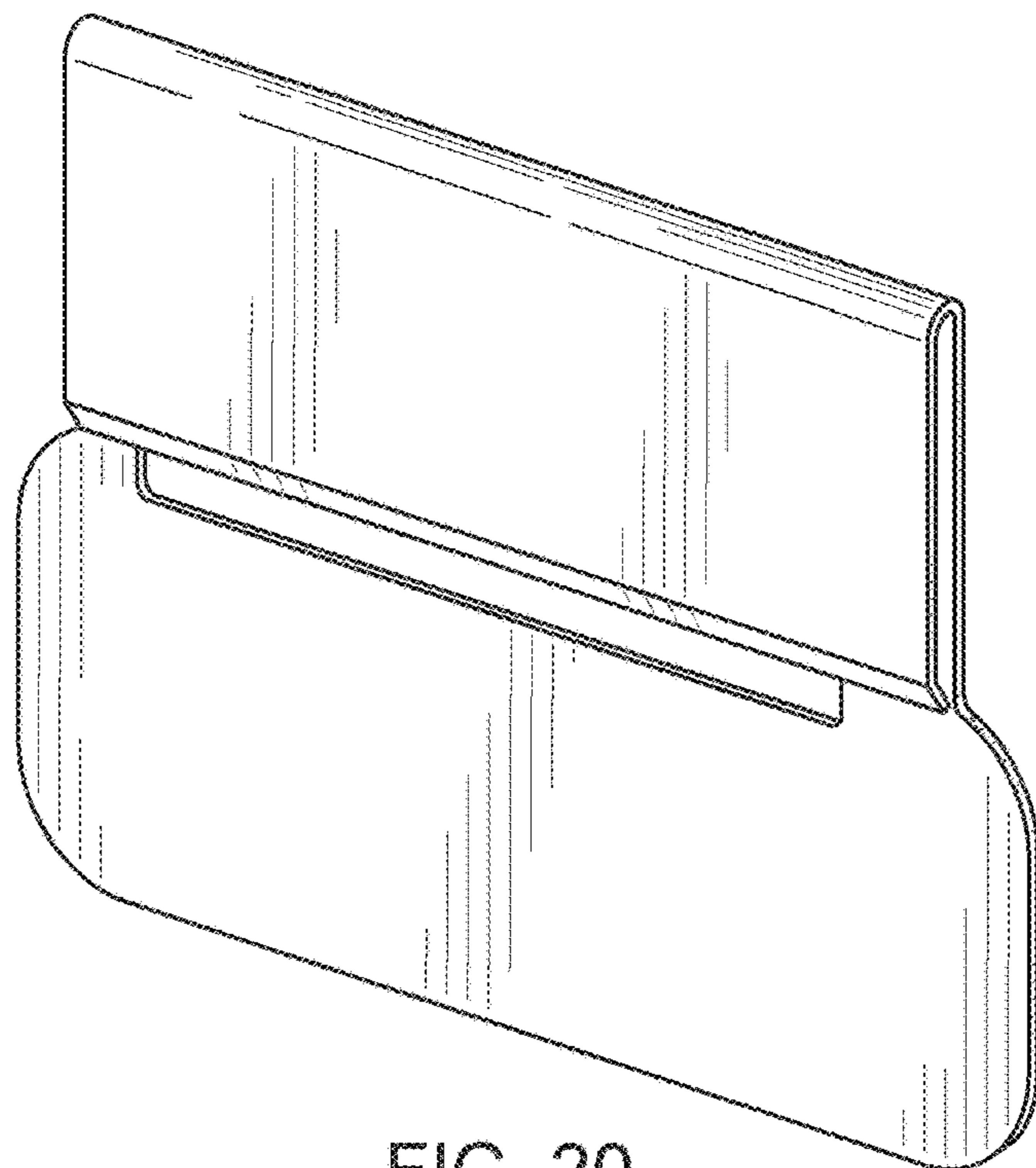


FIG. 20

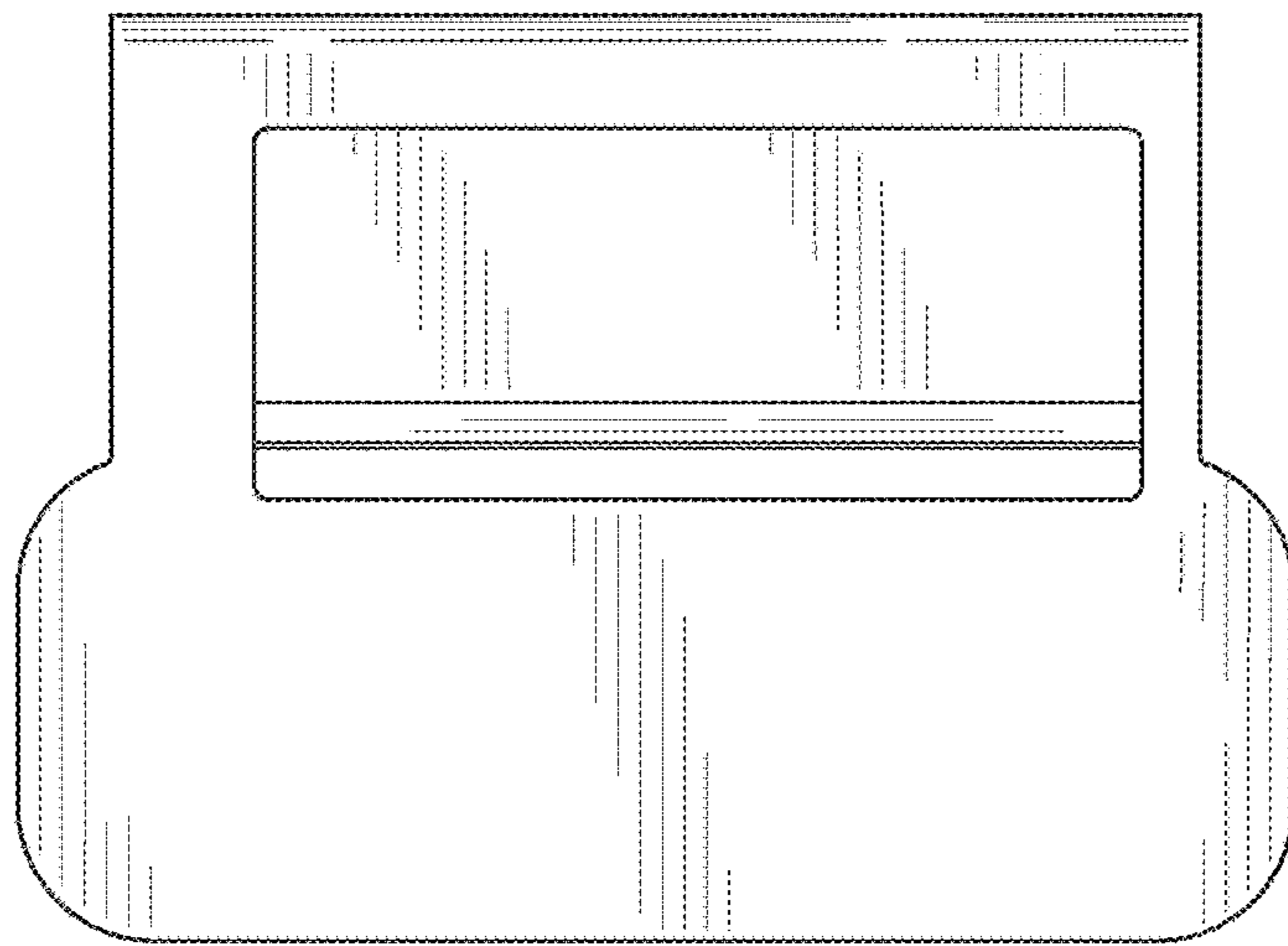


FIG. 21

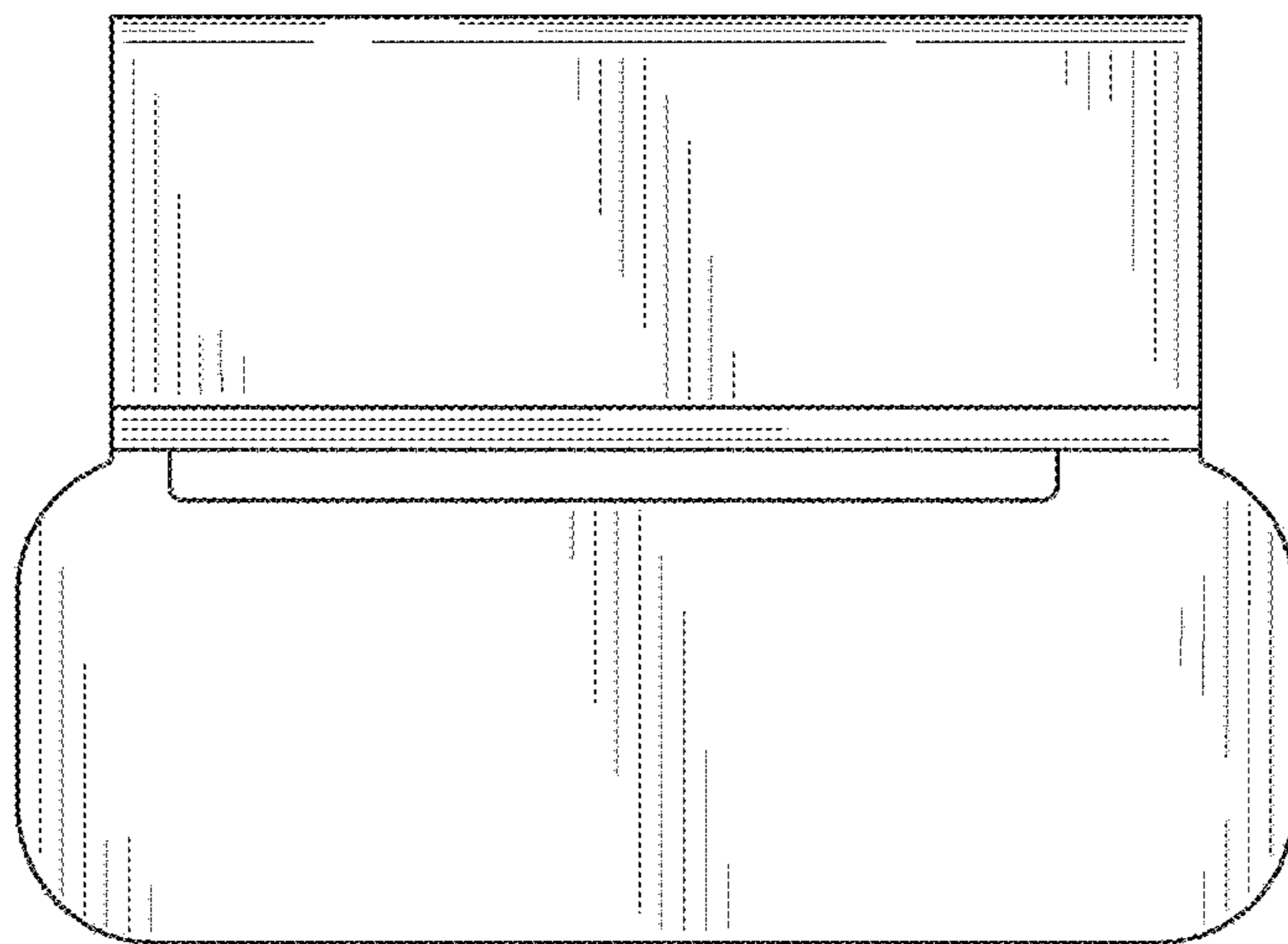


FIG. 22

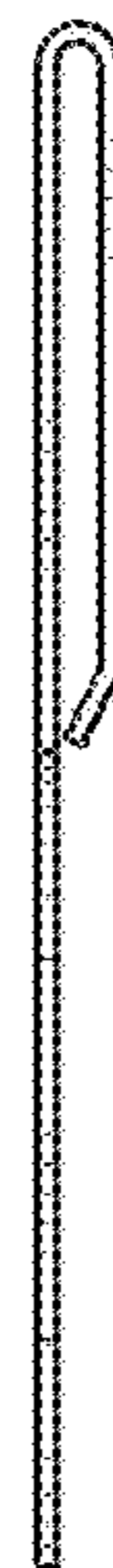


FIG. 23



FIG. 24