



US00D846645S

(12) **United States Design Patent** (10) **Patent No.:** **US D846,645 S**
Becker et al. (45) **Date of Patent:** **** Apr. 23, 2019**

- (54) **SHEET WITH WRISTBAND**
- (71) Applicant: **CCL Label, Inc.**, Framingham, MA (US)
- (72) Inventors: **William Becker**, Rockport, NY (US);
Joseph Langan, East Amherst, NY (US)
- (73) Assignee: **CCL Label, Inc.**, Framingham, MA (US)
- (**) Term: **15 Years**
- (21) Appl. No.: **29/588,305**
- (22) Filed: **Dec. 20, 2016**
- (51) **LOC (11) Cl.** **20-03**
- (52) **U.S. Cl.**
USPC **D20/27**
- (58) **Field of Classification Search**
USPC D20/10, 11, 22-29, 35, 39, 40-43, 99;
D14/485-495; D19/1
CPC G09F 1/00; G09F 1/02; G09F 2003/023;
G09F 2003/0261; G09F 2003/0264; G09F
7/00; G09F 3/206; G09F 13/00; G09F
2007/1807; G09F 13/04; G09F
2013/0427; G09F 2013/0495; G09D 3/00
See application file for complete search history.

- D305,869 S * 2/1990 Gollon D19/1
 - D322,815 S * 12/1991 Gollon D20/11
 - D345,584 S * 3/1994 Gollon D20/22
 - 5,653,472 A 8/1997 Huddleston
 - 5,799,426 A 9/1998 Peterson
 - 5,933,993 A 8/1999 Riley
 - 6,000,160 A 12/1999 Riley
 - 6,160,618 A 1/2000 Attia et al.
- (Continued)

FOREIGN PATENT DOCUMENTS

CA 949737 6/1974

OTHER PUBLICATIONS

Medirex Healthcare Solutions, Supersoft Bands: Best Practice in Positive Patient Identification, Medirex Supersoft Patent Identification Bands Documentation, Jan. 4, 2013, 12 pp., vol. 1.1, www.positivepatient.ca.

(Continued)

Primary Examiner — Mary Ann Calabrese
Assistant Examiner — Sloan Rozin
(74) *Attorney, Agent, or Firm* — McDonald Hopkins LLC

(57) **CLAIM**

The ornamental design for a sheet with a wristband, as shown and described.

DESCRIPTION

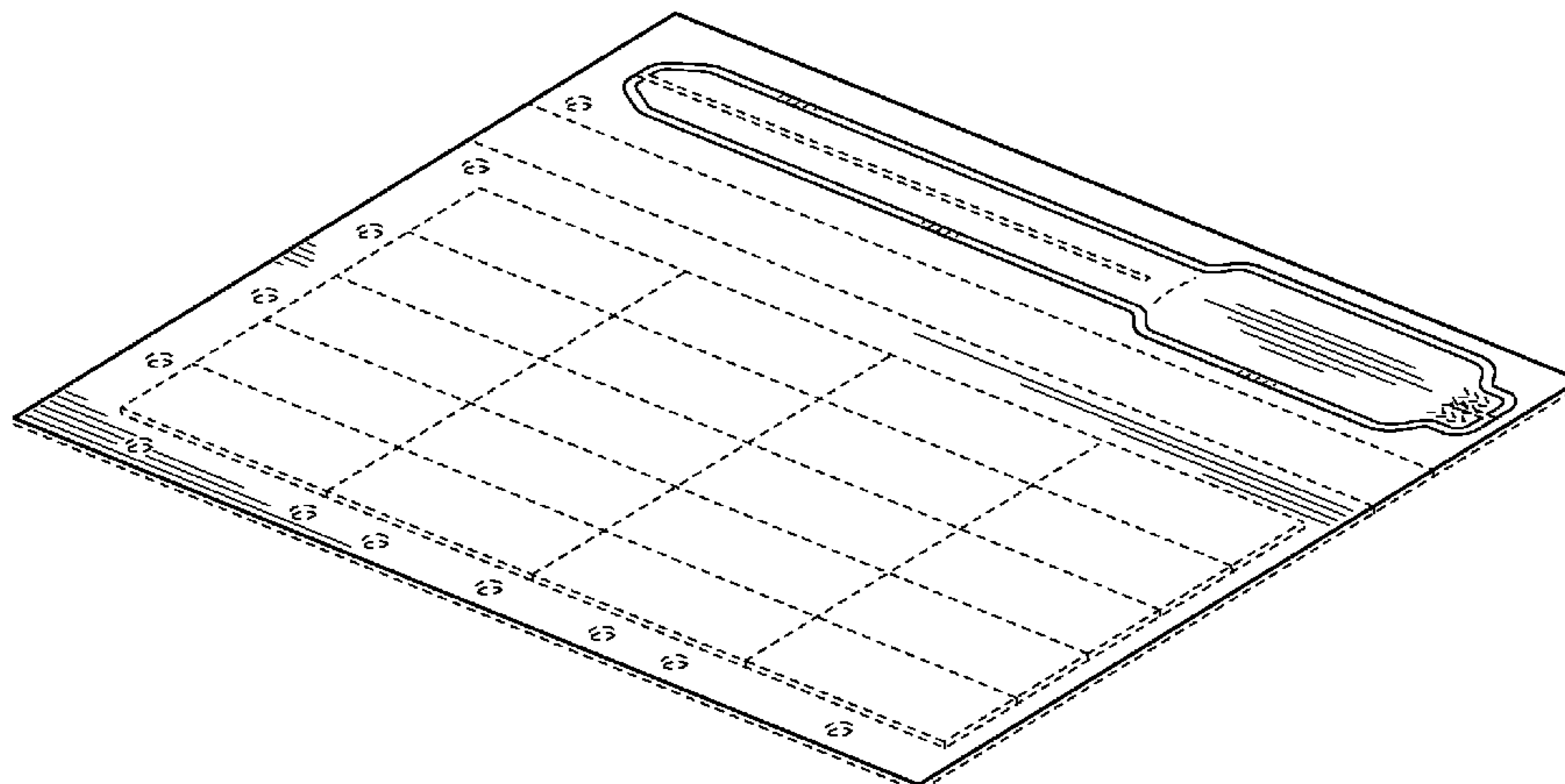
FIG. 1 is a front perspective view of a first embodiment of the design;
FIG. 2 is a front view of the design of FIG. 1;
FIG. 3 is a rear view of the design of FIG. 1;
FIG. 4 is a first side view of the design of FIG. 1;
FIG. 5 is a second side view of the design of FIG. 1;
FIG. 6 is a top view of the design of FIG. 1; and,
FIG. 7 is a bottom view of the design of FIG. 1.
The broken lines illustrate portions of the article and form no part of the claimed design.

1 Claim, 3 Drawing Sheets

(56) **References Cited**

U.S. PATENT DOCUMENTS

- 1,989,781 A * 2/1935 Zak G09F 21/04
292/259 R
- 3,310,459 A 3/1967 Guthrie
- 3,809,077 A 5/1974 Hansen
- 3,860,002 A 1/1975 Kolbach
- RE29,789 E 10/1978 Kolbach
- 4,610,915 A 9/1986 Crenshaw et al.
- 4,636,418 A 1/1987 Kennard et al.
- D294,223 S * 2/1988 Gollon D9/722
- 4,774,272 A 9/1988 Lamphere et al.



(56)

References Cited

U.S. PATENT DOCUMENTS

6,067,739 A 5/2000 Riley
 6,438,881 B1 8/2002 Riley
 6,510,634 B1* 1/2003 Riley G09F 3/005
 283/75
 6,677,022 B2 1/2004 Bobbe et al.
 6,748,687 B2 6/2004 Riley
 6,836,215 B1* 12/2004 Laurash G06K 1/12
 156/60
 D503,197 S * 3/2005 Stewart D20/27
 7,000,951 B2* 2/2006 Valenti, Jr. G09F 3/005
 283/105
 7,017,293 B2* 3/2006 Riley B42D 15/00
 283/75
 7,017,294 B2* 3/2006 Riley B42D 15/00
 283/75
 7,047,682 B2 5/2006 Riley
 D524,184 S * 7/2006 Watanabe D11/5
 7,222,448 B2* 5/2007 Riley B42D 15/00
 283/75
 7,240,446 B2 7/2007 Bekker
 7,322,613 B2 1/2008 Penuela et al.
 7,325,247 B2 1/2008 Kotani et al.
 7,325,347 B2 2/2008 Riley
 7,386,949 B2 6/2008 Riley
 7,461,473 B2 12/2008 Riley
 D584,352 S * 1/2009 Ali D19/1
 7,534,477 B1 5/2009 Waggoner et al.
 D595,348 S * 6/2009 Joseph D19/1
 D600,154 S 9/2009 Ali et al.
 7,617,771 B2 11/2009 Ogawa
 D608,389 S * 1/2010 Bishop D19/1
 7,654,024 B2 2/2010 Riley
 D611,984 S * 3/2010 Ali D19/1
 7,743,540 B2 6/2010 McDermott
 7,752,794 B2 7/2010 Kerlin
 7,763,344 B2 7/2010 Riley et al.
 7,765,728 B1 8/2010 Waggoner
 7,779,569 B2 8/2010 Riley et al.
 7,779,570 B2 8/2010 Riley
 7,784,209 B2 8/2010 Greer
 D624,120 S * 9/2010 Marshall D19/1
 7,794,809 B2 9/2010 Plummer
 RE41,822 E * 10/2010 Henley D20/19
 7,810,267 B2 10/2010 Saint et al.
 7,818,908 B2 10/2010 Greer
 7,828,333 B1 11/2010 Valenti, Jr. et al.
 7,854,818 B2 12/2010 Plummer
 7,918,045 B2 4/2011 Riley
 D638,468 S * 5/2011 Taghavi D19/1
 7,946,065 B2 5/2011 Ali et al.
 D640,738 S * 6/2011 Jain D19/1
 8,006,422 B2 8/2011 Riley
 8,011,125 B2 9/2011 Riley et al.
 D646,333 S * 10/2011 Davis D20/22
 D653,148 S * 1/2012 Bekker D11/3
 D663,353 S * 7/2012 Waltersdorf D19/1
 D663,780 S * 7/2012 Mingo D20/19
 D703,085 S * 4/2014 Waltersdorf D11/3
 D703,755 S * 4/2014 Joseph D11/3
 D703,756 S * 4/2014 Ennis D11/3
 D707,296 S * 6/2014 Joseph D11/3
 8,776,417 B2 7/2014 Jain
 D734,311 S * 7/2015 Takamoto D14/250
 D755,894 S * 5/2016 Taghavi D20/22

D762,263 S * 7/2016 Canchola D20/27
 D772,984 S * 11/2016 Canchola D20/22
 D787,598 S * 5/2017 Carr D20/27
 2002/0032421 A1 3/2002 Scott, Jr. et al.
 2003/0089443 A1 5/2003 Ouederni et al.
 2004/0011344 A1 1/2004 Rice et al.
 2004/0237366 A1 12/2004 Chadwick et al.
 2005/0058814 A1 3/2005 Crum
 2005/0136766 A1 6/2005 Tanner et al.
 2005/0173083 A1 8/2005 Moyle
 2005/0279001 A1* 12/2005 Riley B42D 15/00
 40/633
 2006/0113788 A1* 6/2006 Riley B42D 15/00
 283/81
 2006/0218836 A1 10/2006 Riley
 2006/0230661 A1* 10/2006 Bekker G09F 3/005
 40/633
 2006/0236578 A1* 10/2006 Saint G09F 3/005
 40/633
 2007/0120358 A1 5/2007 Waggoner et al.
 2007/0243361 A1* 10/2007 Riley G09F 3/005
 428/195.1
 2007/0259163 A1 11/2007 Connolly et al.
 2008/0098636 A1* 5/2008 Greer G09F 3/005
 40/633
 2008/0109937 A1* 5/2008 Greer G09F 3/005
 2/162
 2008/0156855 A1 7/2008 Sanchez
 2008/0309065 A1* 12/2008 Ali G09F 3/005
 283/75
 2009/0193701 A1 8/2009 Greer
 2009/0277061 A1 11/2009 Jain et al.
 2009/0286033 A1 11/2009 Taghavi et al.
 2010/0253060 A1 10/2010 Riley et al.
 2010/0272938 A1 10/2010 Mitchell et al.
 2010/0281724 A1 11/2010 Greer et al.
 2011/0000113 A1 1/2011 Chadwick
 2011/0039052 A1 2/2011 Plummer
 2011/0041370 A1 2/2011 Saint et al.
 2011/0071370 A1 3/2011 Al-Ali
 2011/0146122 A1 6/2011 Ali et al.
 2011/0179686 A1 7/2011 Morehouse et al.
 2011/0185612 A1 8/2011 Waggoner
 2013/0212919 A1 8/2013 Greer

OTHER PUBLICATIONS

Laser Band, Features and Assembly Reference, 2 pp., Copyright 2008, LaserBand LLC, www.greatpages.ca.
 Zebra Technologies, LaserBand2 Advanced Wristbands, LaserBand2 Advanced Wristbands Data Sheet, P1061918, May 2013, 4 pp., Copyright 2013, Zih Corp., www.zebra.com.
 Zebra Technologies, LaserBand2 Dura Wristbands, LaserBand2 Dura Data Sheet, P1061913, May 2013, 2pp., Copyright 2013, Zih Corp., www.zebra.com.
 Zebra Technologies, LaserBand 2, LaserBand 2 Data Sheet, P1061920, May 2013, 4pp., Copyright 2013, Zih Corp., www.zebra.com.
 Zebra Technologies, LaserBand Original Wristbands, LaserBand Original Data Sheet, P1061932, May 2013, Copyright 2013, 4pp., Zih Corp., www.zebra.com.
 Zebra Technologies, LaserBand Wristband Solutions, LaserBand Wristband Product Portfolio, P1061921, Aug. 2013, 2pp., Copyright 2013, Zih Corp., www.zebra.com.

* cited by examiner

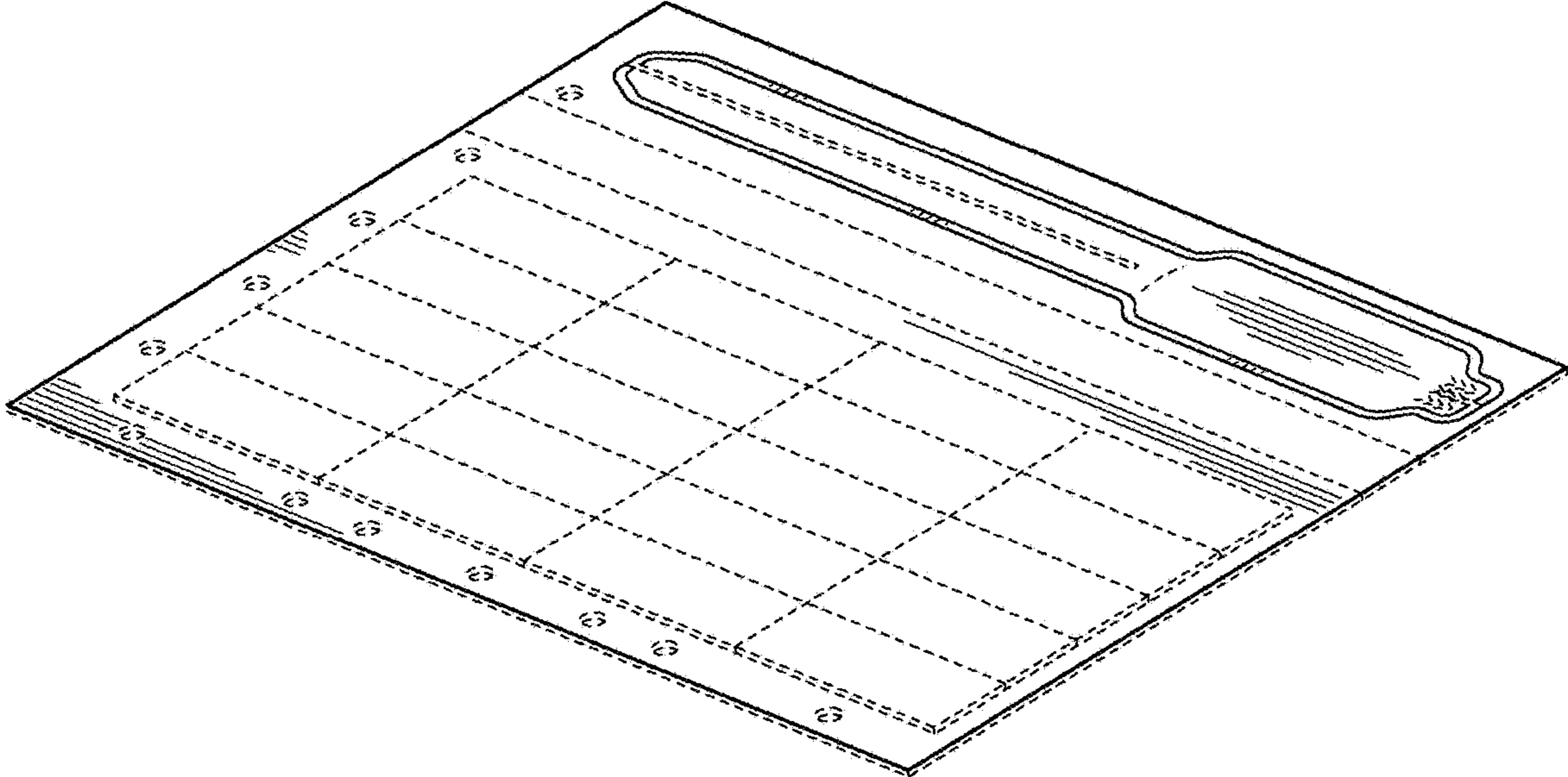


FIG. 1

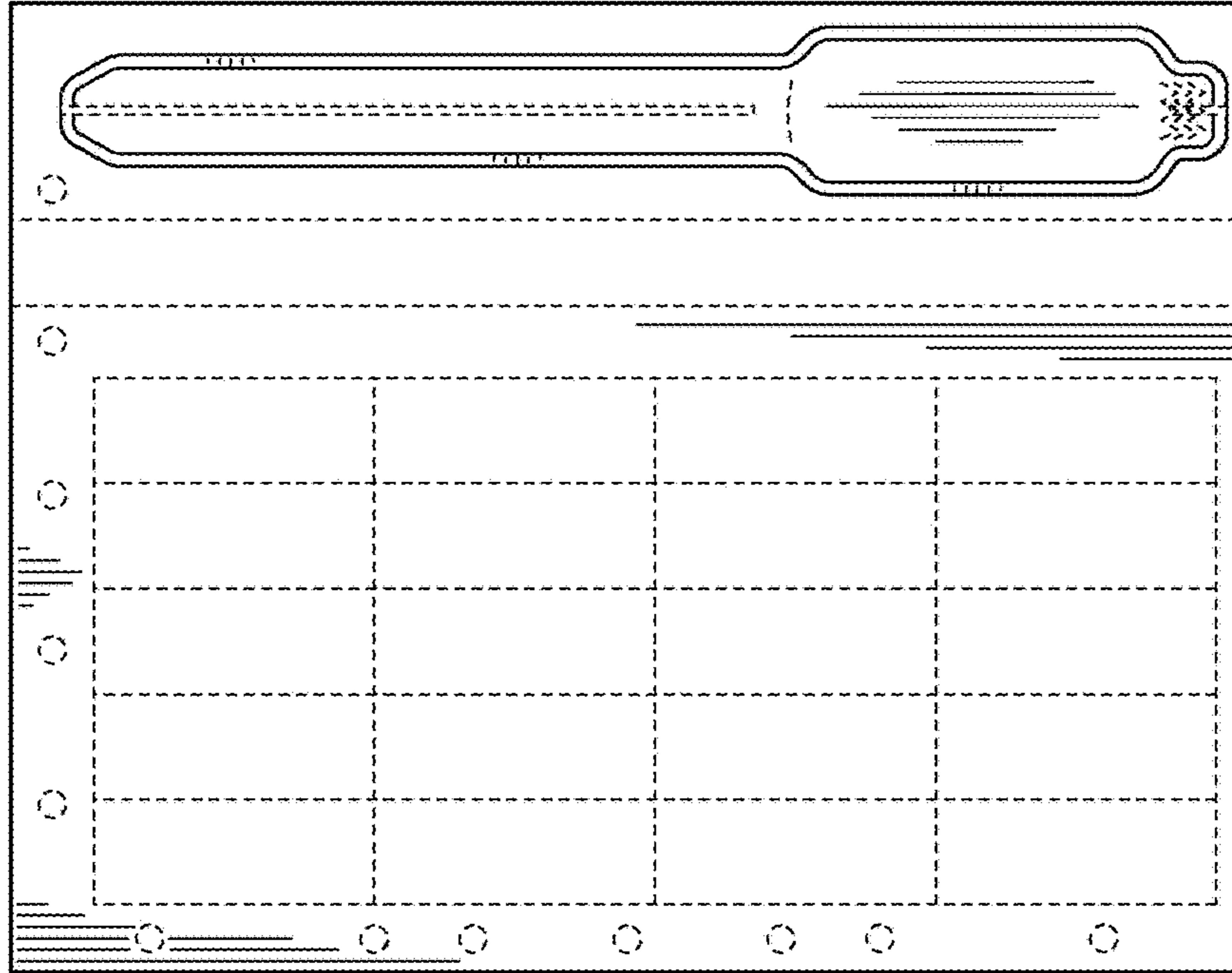


FIG. 2

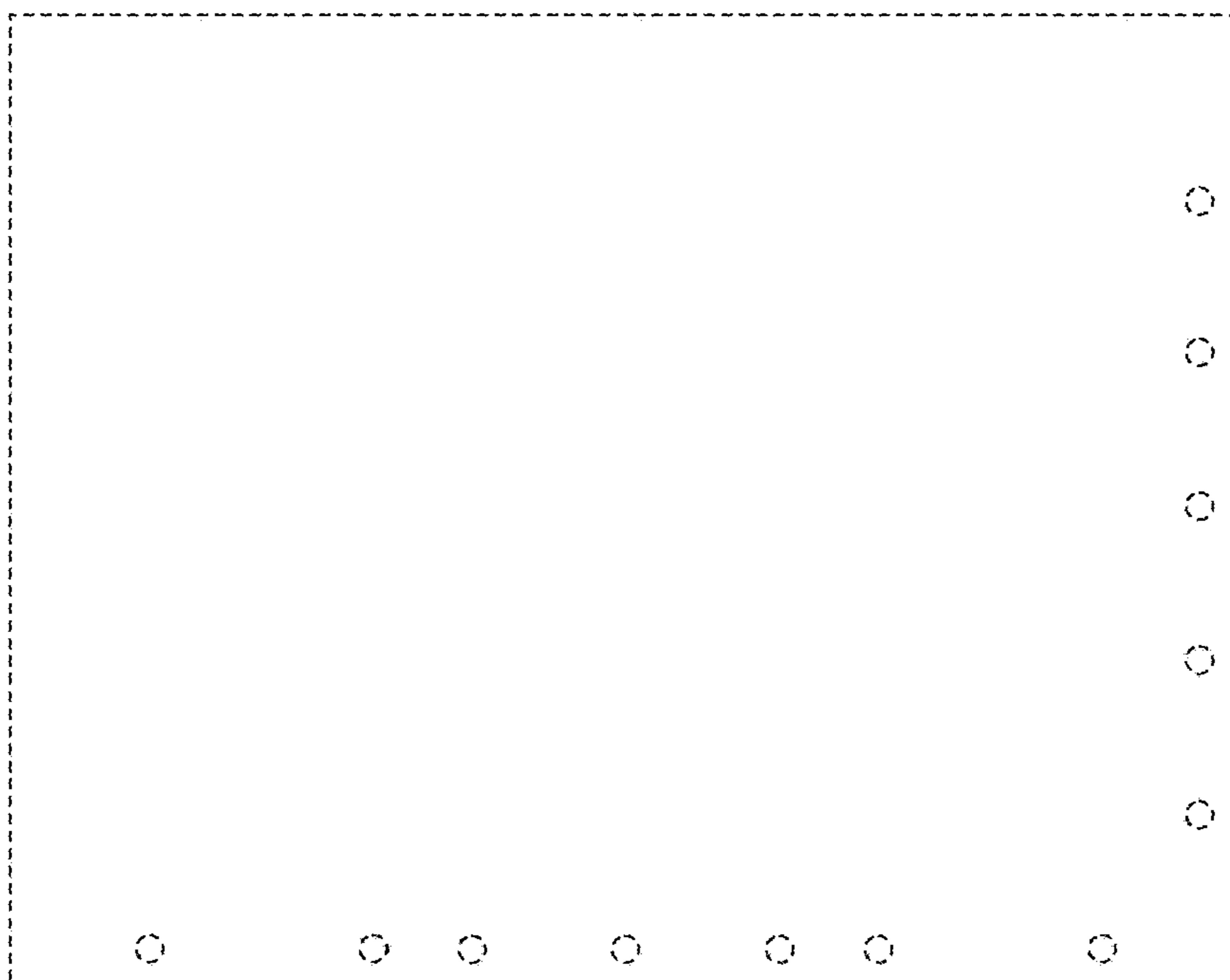


FIG. 3



FIG. 4



FIG. 5

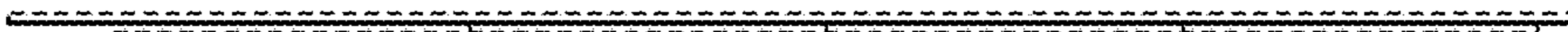


FIG. 6

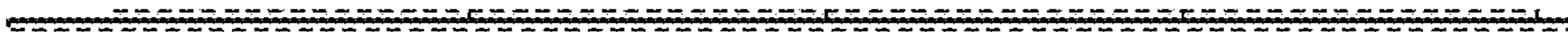


FIG. 7