



US00D846643S

(12) **United States Design Patent**
Hänninen

(10) **Patent No.:** **US D846,643 S**

(45) **Date of Patent:** **** Apr. 23, 2019**

- (54) **LUMINOUS ROAD SIGN**
- (71) Applicant: **InnoTrafik Oy**, Helsinki (FI)
- (72) Inventor: **Jouni Hänninen**, Helsinki (FI)
- (73) Assignee: **InnoTrafik Oy**, Helsinki (FI)
- (**) Term: **15 Years**
- (21) Appl. No.: **29/620,812**
- (22) Filed: **Jun. 16, 2017**

(30) **Foreign Application Priority Data**

Dec. 16, 2016 (EP) 003522135-0001

(51) **LOC (11) Cl.** **20-03**

(52) **U.S. Cl.**
USPC **D20/17**

(58) **Field of Classification Search**
USPC D20/10, 11, 21-28, 37, 39-42, 99;
D10/54, 109, 109.1, 111, 113.4, 114,
D10/114.1

CPC G09F 1/00; G09F 1/02; G09F 2003/023;
G09F 2003/0261; G09F 2003/0264; G09F
7/00; G09F 3/206; G09F 13/00; G09F
2007/1807; G09F 13/04; G09F
2013/0427; G09F 2013/0495; G09F 7/04;
G09D 3/00

See application file for complete search history.

(56) **References Cited**

U.S. PATENT DOCUMENTS

- D244,725 S * 6/1977 Niehaus D20/42
- D336,112 S * 6/1993 Miyake D20/41
- 5,584,547 A * 12/1996 Trulaske, Sr. A47F 3/0434
312/114
- 5,634,286 A * 6/1997 Johnson G09F 13/0413
362/396
- D388,124 S * 12/1997 Rath D20/10

- D389,524 S * 1/1998 Grange D20/41
- D390,610 S * 2/1998 Wingerei D20/10
- D413,934 S * 9/1999 Kleihues D20/41
- D431,838 S * 10/2000 Ragot D20/10
- D436,135 S * 1/2001 Emert D20/10
- 6,263,601 B1 * 7/2001 Emert G09F 13/04
248/156
- D452,710 S * 1/2002 Ragot D20/10
- D453,191 S * 1/2002 Gentelia D20/10
- D485,580 S * 1/2004 Bacchi D20/10
- D518,107 S * 3/2006 Nuzzo D20/21
- D523,602 S * 6/2006 Memari D20/19
- D598,054 S * 8/2009 Grimshaw D20/39
- D624,127 S * 9/2010 Lara Bartolome D20/10
- D639,088 S * 6/2011 Rodgers D20/10
- D651,255 S * 12/2011 Ingouville D20/41
- D653,707 S * 2/2012 Filip D20/10
- D670,766 S * 11/2012 Busch D20/43

(Continued)

Primary Examiner — Mary Ann Calabrese

Assistant Examiner — Sloan Rozin

(74) *Attorney, Agent, or Firm* — Dykema Gossett PLLC

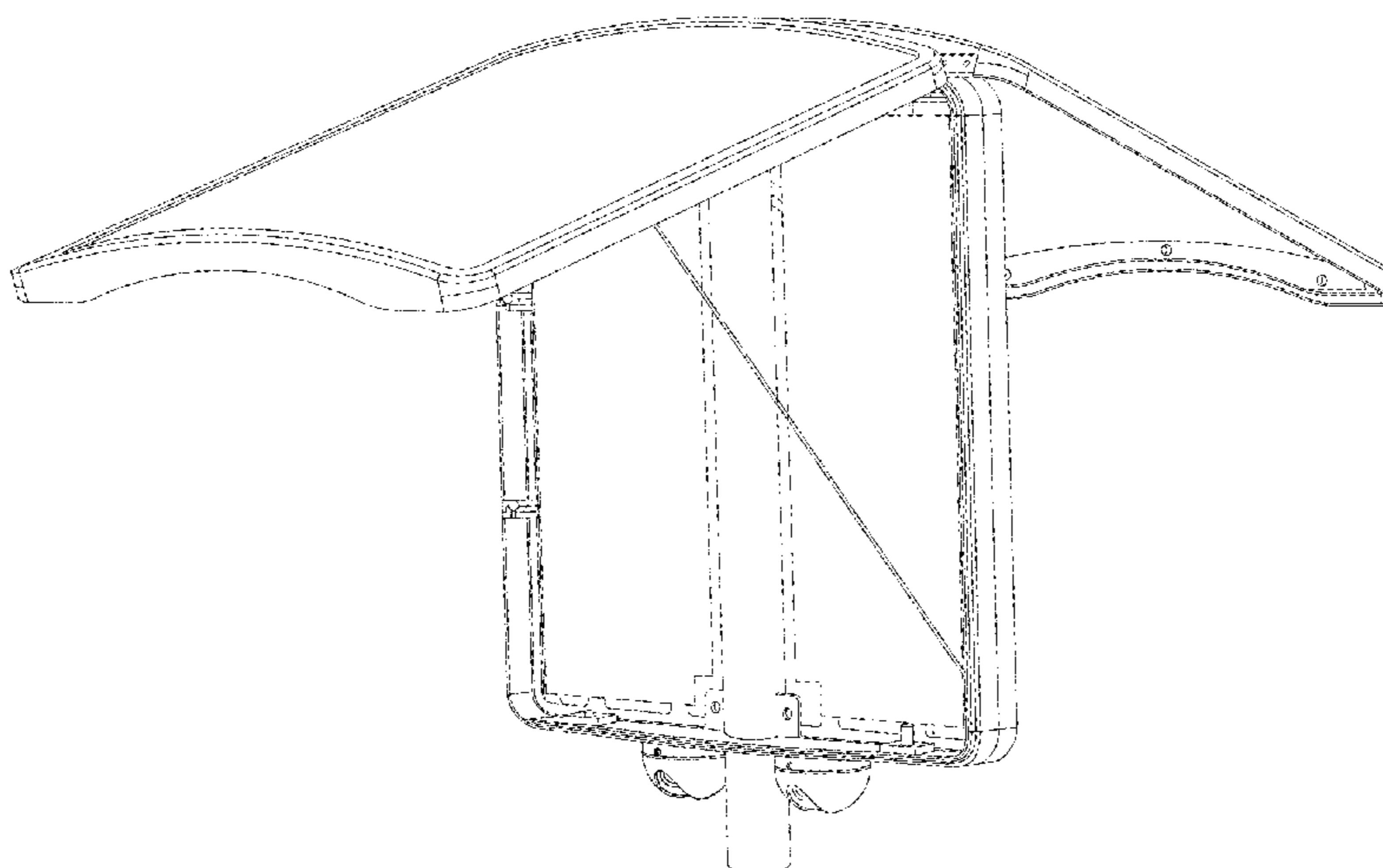
(57) **CLAIM**

The ornamental design for a luminous road sign, as shown and described.

DESCRIPTION

FIG. 1 is a perspective rear view of my luminous road sign, the rear and front covers being in lifted (open) positions, an opposite perspective front view being a mirror image except for no features appearing in the two bottom dome elements, FIG. 2 is a perspective front view with the front cover in a lowered (closed) position, FIG. 3 is a perspective rear view, FIG. 4 is a perspective bottom view, FIG. 5 is a left side view, the right side view being a mirror image, FIG. 6 is a bottom plan view; and, FIG. 7 is a top plan view.

1 Claim, 7 Drawing Sheets



(56)

References Cited

U.S. PATENT DOCUMENTS

| | | | |
|--------------|--------|-----------------|--------|
| D754,250 S * | 4/2016 | Elmer | D20/10 |
| D787,600 S * | 5/2017 | McCue | D20/41 |
| D791,241 S * | 7/2017 | Lemberger | D20/41 |
| D797,856 S * | 9/2017 | Loew | D20/41 |
| D807,434 S * | 1/2018 | Loew | D20/41 |

* cited by examiner

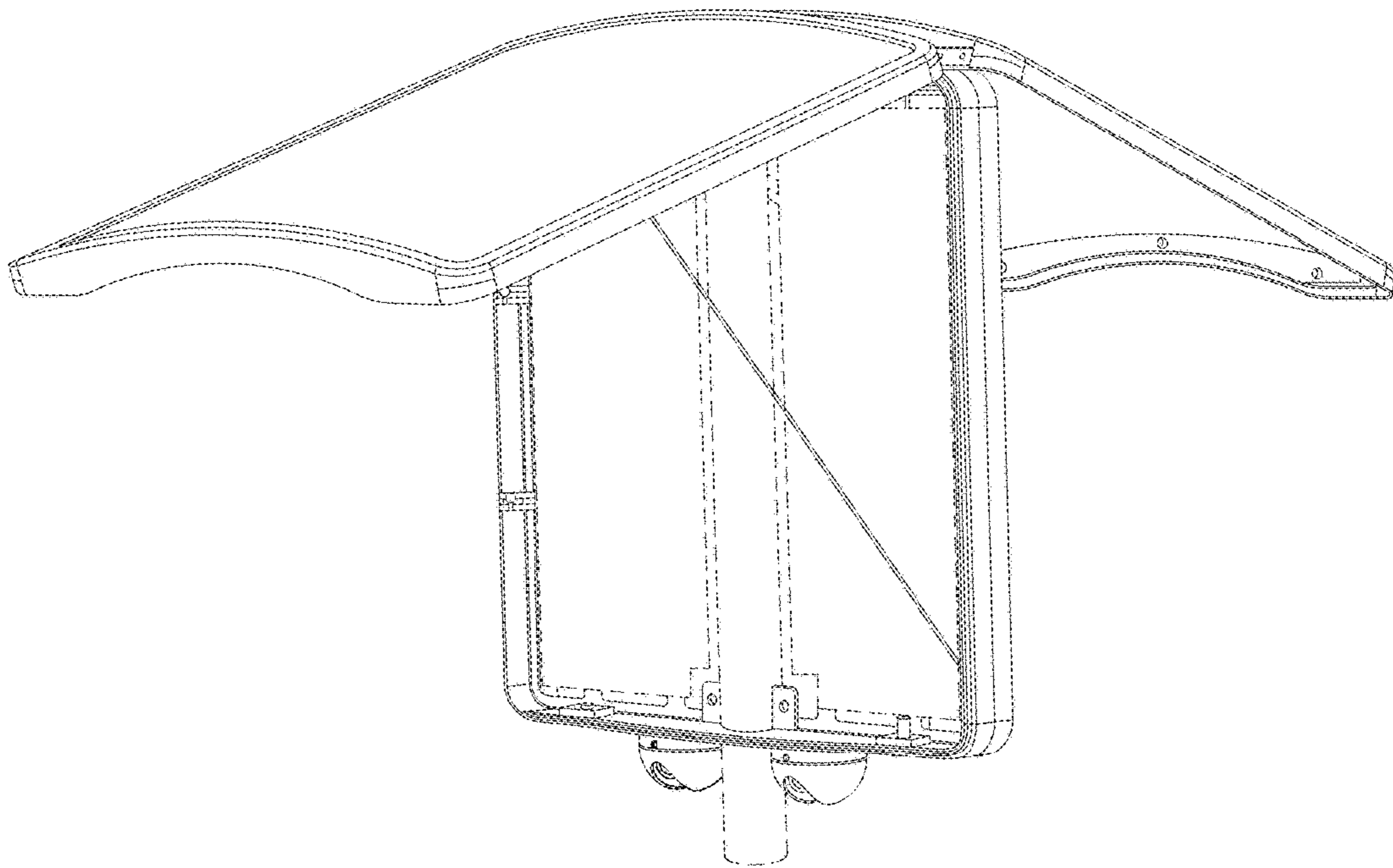


FIG. 1

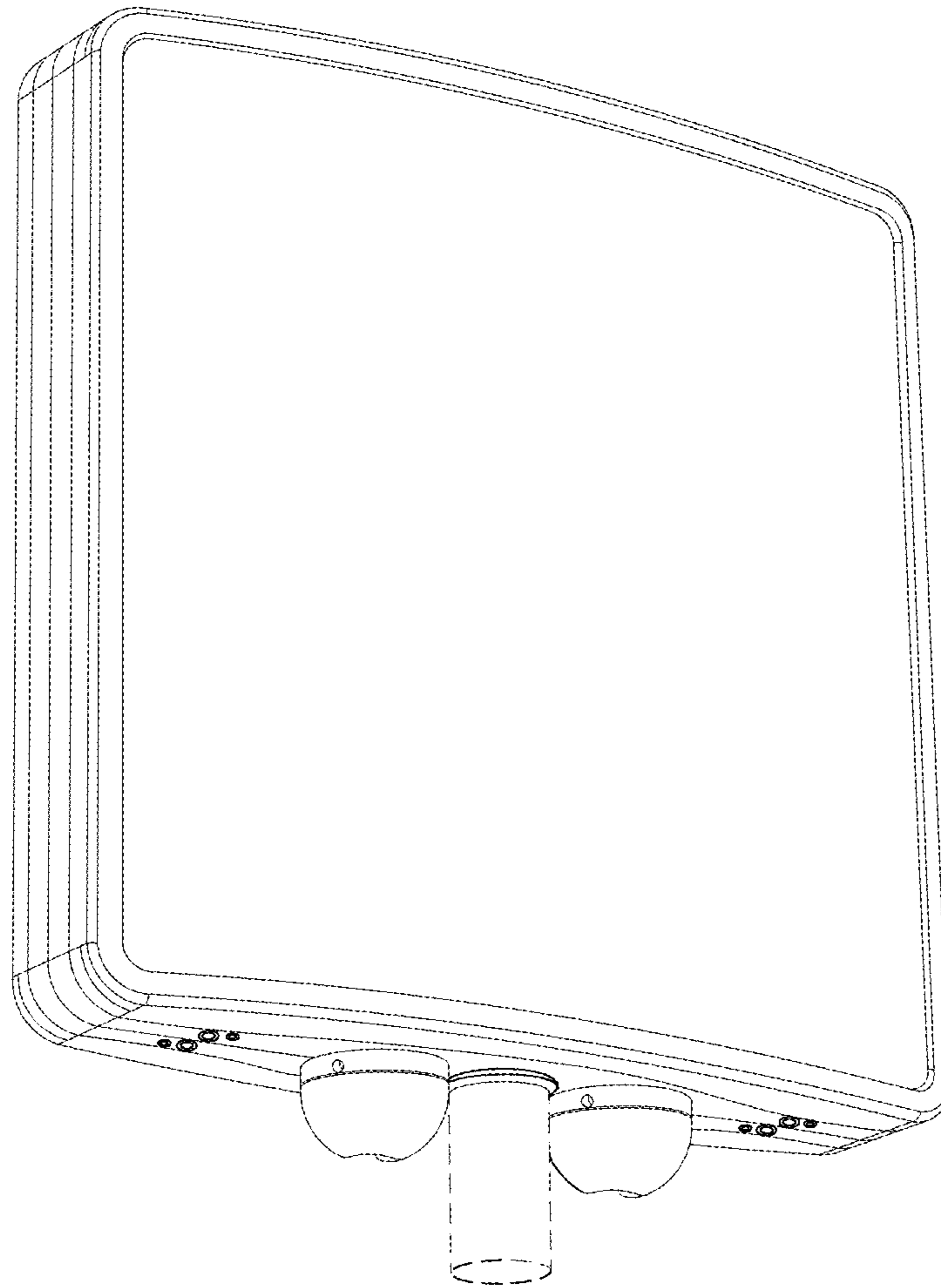


FIG. 2



FIG. 3

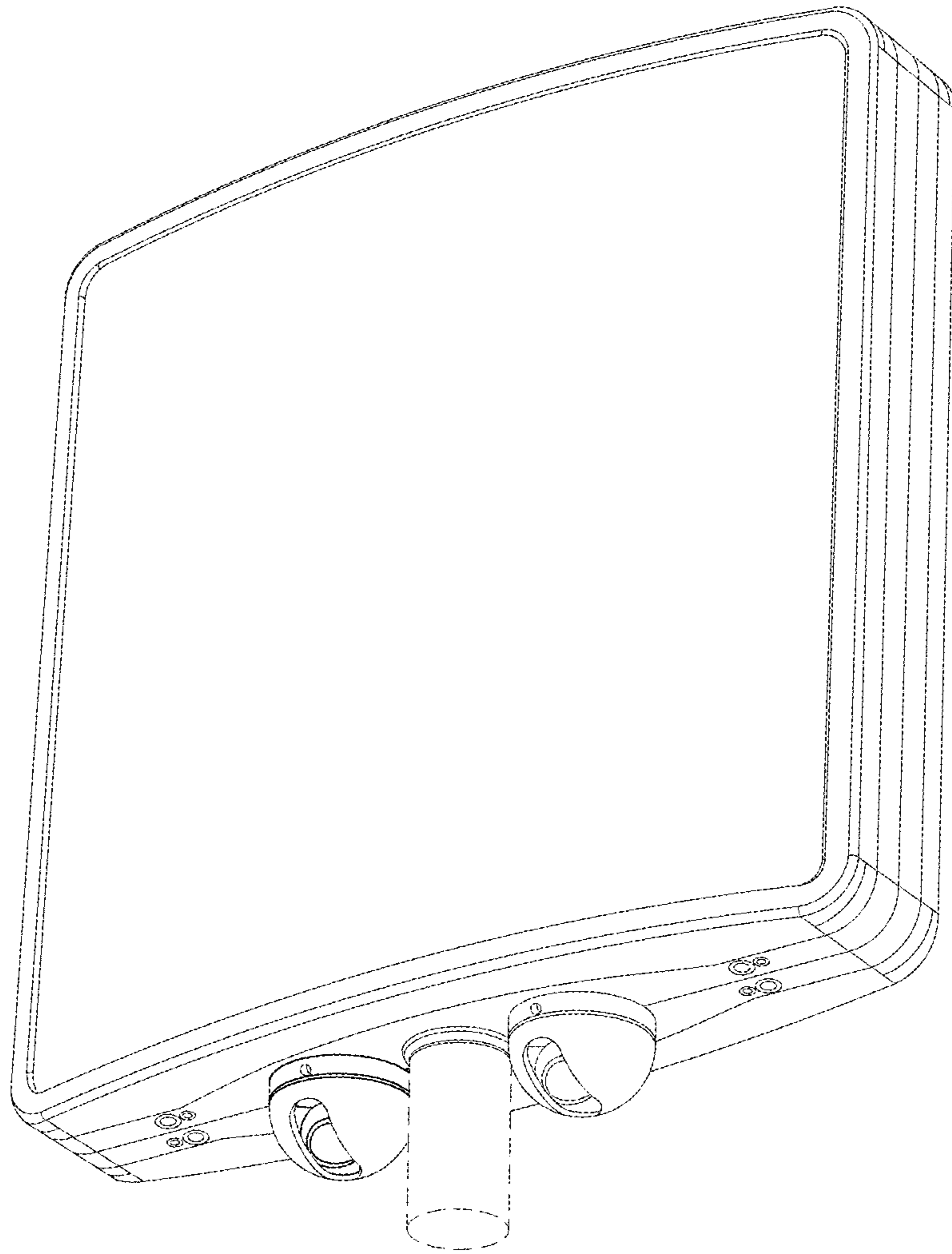


FIG. 4

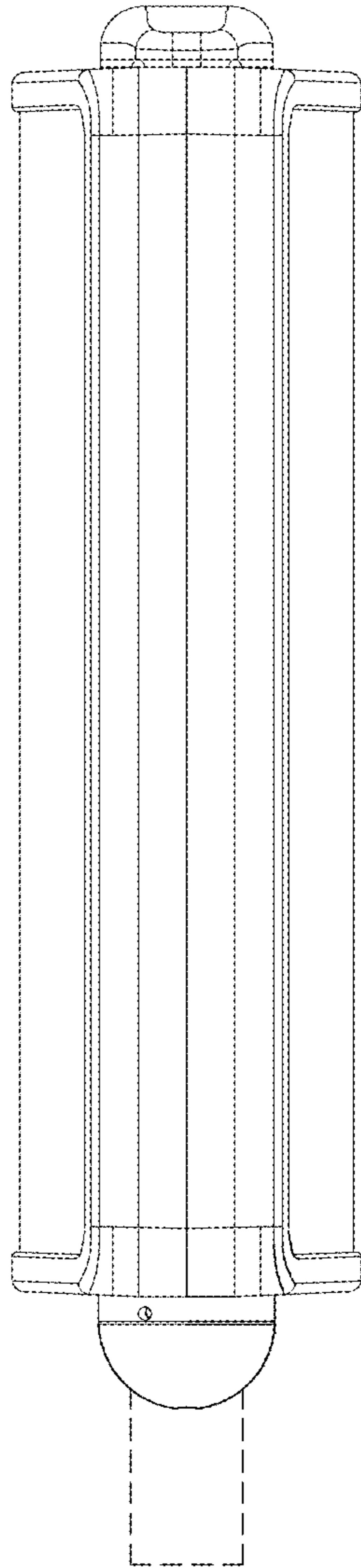


FIG. 5

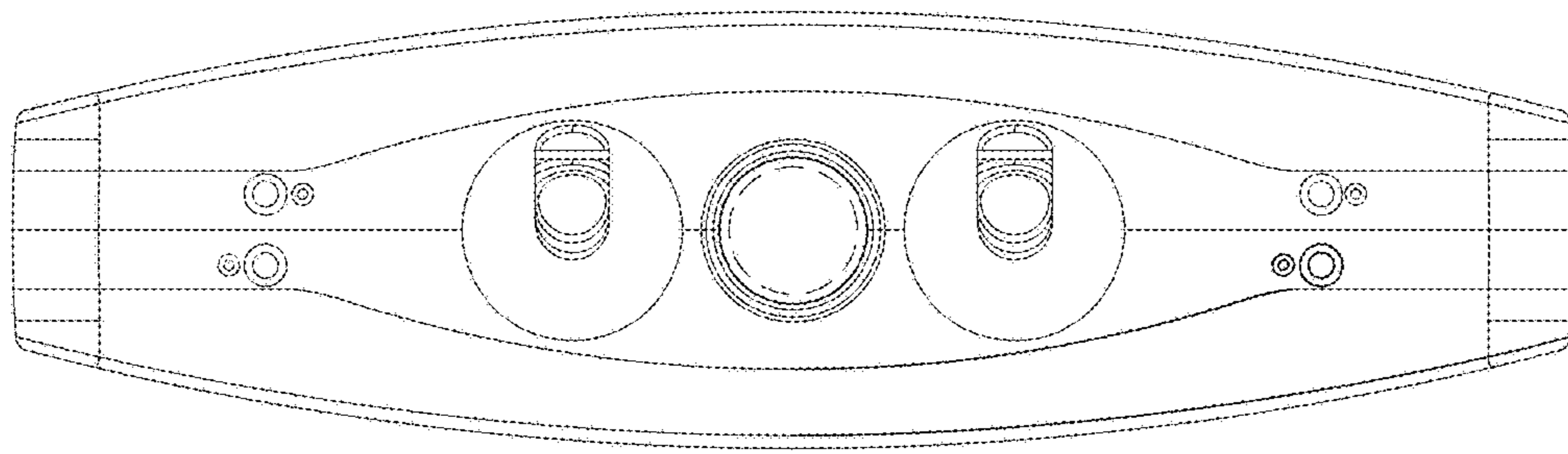


FIG. 6

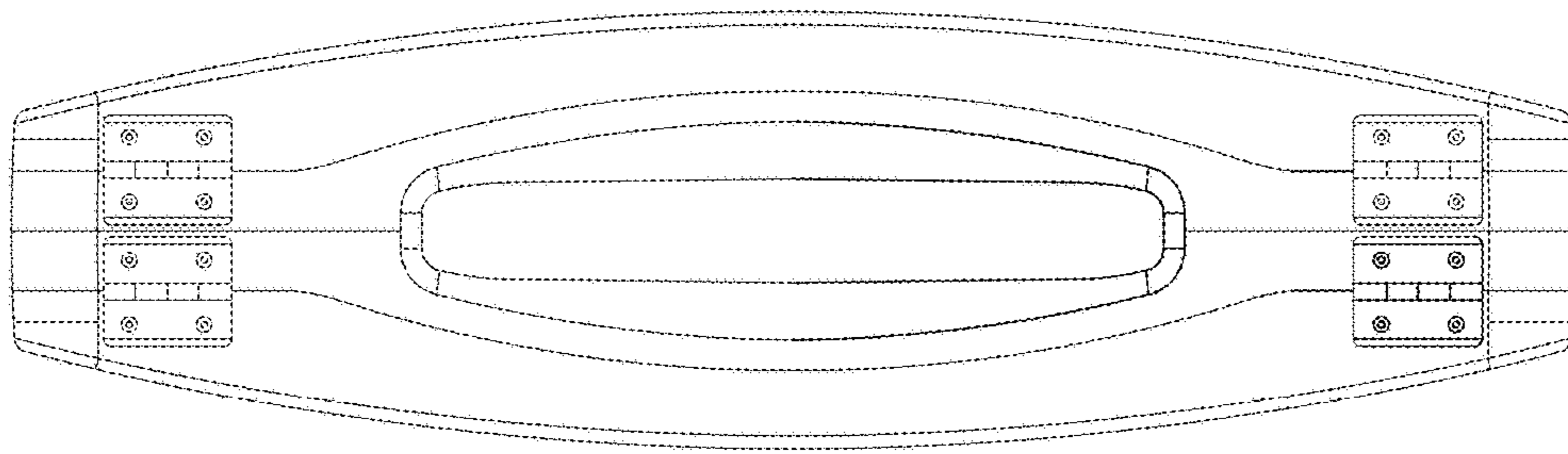


FIG. 7