



US00D846641S

(12) **United States Design Patent** (10) **Patent No.:** **US D846,641 S**  
**Seidl et al.** (45) **Date of Patent:** **\*\* Apr. 23, 2019**

(54) **AUTOMATIC VENDING MACHINE FOR BEVERAGES**

(71) Applicant: **LUIGI LAVAZZA S.P.A.**, Turin (IT)

(72) Inventors: **Florian Seidl**, Turin (IT); **Juste Pavasaryte**, Carnago (IT)

(73) Assignee: **LUIGI LAVAZZA S.P.A.**, Turin (IT)

(\*\*) Term: **15 Years**

(21) Appl. No.: **35/503,516**

(22) Filed: **Feb. 17, 2017**

(80) **Hague Agreement Data**

Int. Filing Date: **Feb. 17, 2017**

Int. Reg. No.: **DM/095790**

Int. Reg. Date: **Feb. 17, 2017**

Int. Reg. Pub. Date: **Aug. 18, 2017**

(51) **LOC (11) Cl.** ..... **20-01**

(52) **U.S. Cl.**  
USPC ..... **D20/1**

(58) **Field of Classification Search**

USPC ..... D20/1-9; D7/300, 306, 307, 308

CPC ..... G07F 13/00; G07F 13/02; G07F 13/025;  
G07F 13/06; G07F 13/065; G07F 13/08;  
G07F 13/10; G07F 15/00; B01F 13/1055;  
B67D 1/08

See application file for complete search history.

(56) **References Cited**

U.S. PATENT DOCUMENTS

D402,498 S \* 12/1998 Howard ..... D7/306  
D638,476 S \* 5/2011 Hoffman ..... D20/1  
D755,294 S \* 5/2016 Azzano ..... D20/8  
D788,225 S \* 5/2017 Cortini ..... B67D 1/08

2011/0011490 A1\* 1/2011 Rodrigues ..... B01F 13/1055  
141/11

2017/0355586 A1\* 12/2017 Makino ..... B67D 1/08

\* cited by examiner

*Primary Examiner* — Mary Ann Calabrese

(74) *Attorney, Agent, or Firm* — Nixon & Vanderhye P.C.

(57) **CLAIM**

The ornamental design for a automatic vending machine for beverages, as shown and described.

**DESCRIPTION**

1. Automatic vending machine for beverages

1.1 : Front

1.2 : Back

1.3 : Left

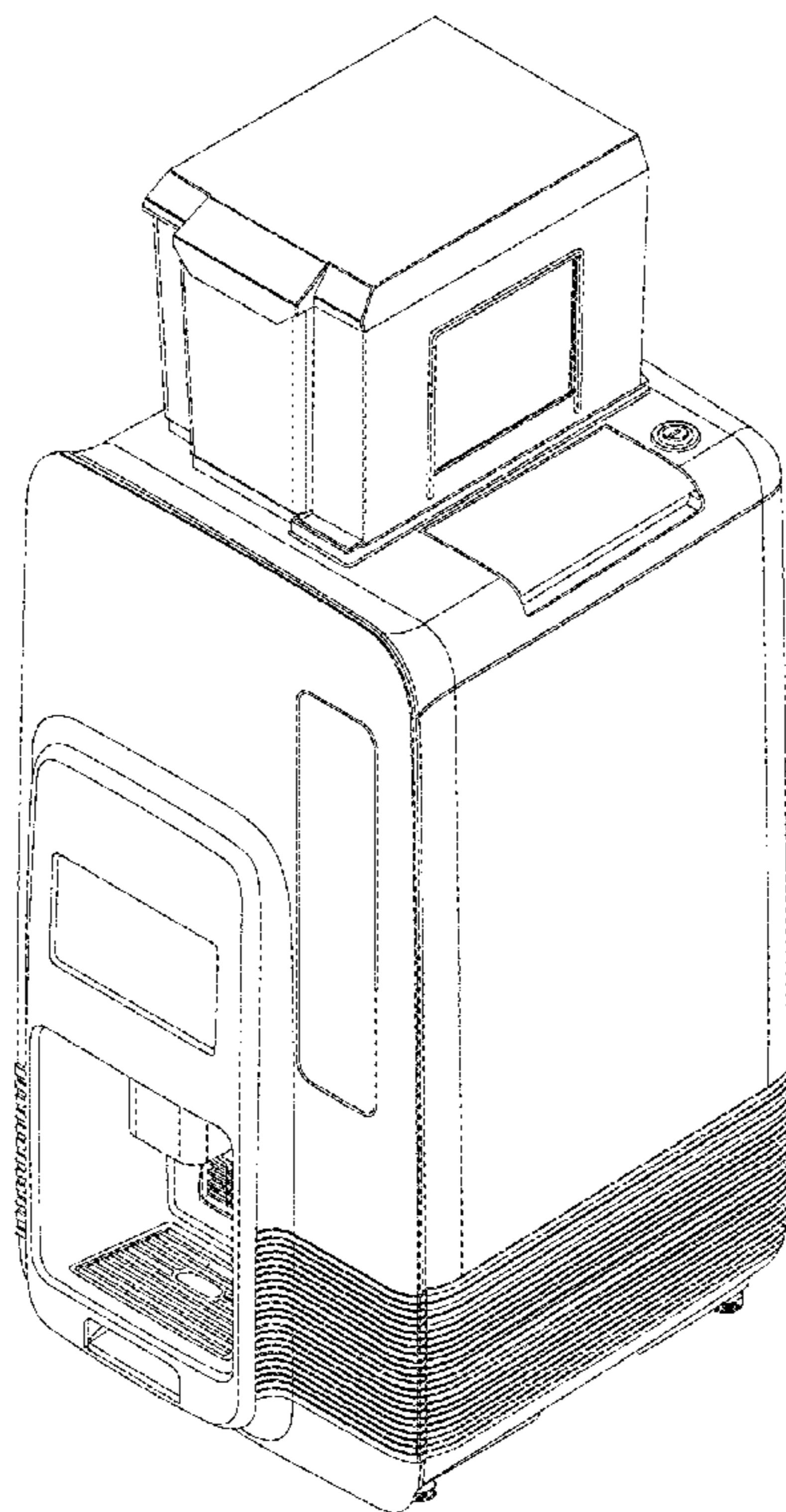
1.4 : Right

1.5 : Top

1.6 : Perspective

The portions of the automatic vending machine for beverages shown in broken lines in the figures form no part of the claimed design.

**1 Claim, 6 Drawing Sheets**



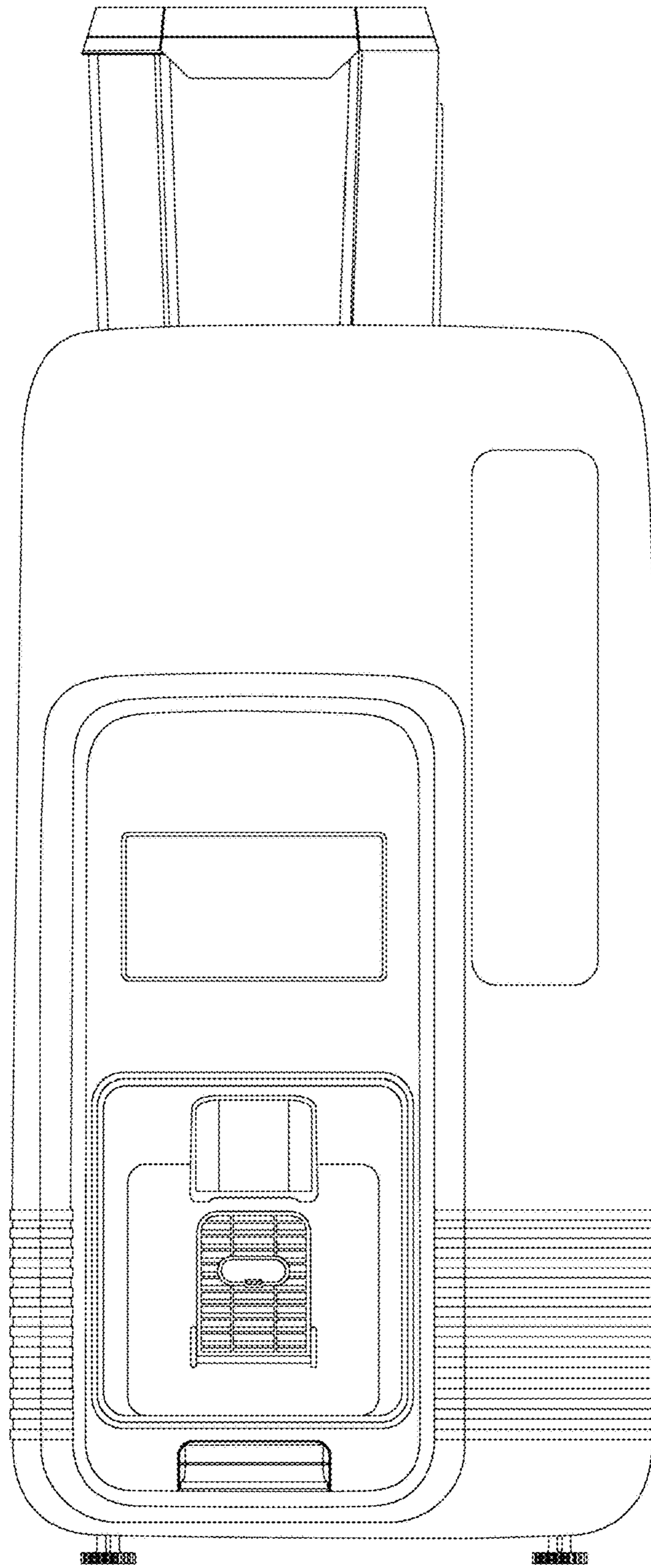


FIG. 1.1

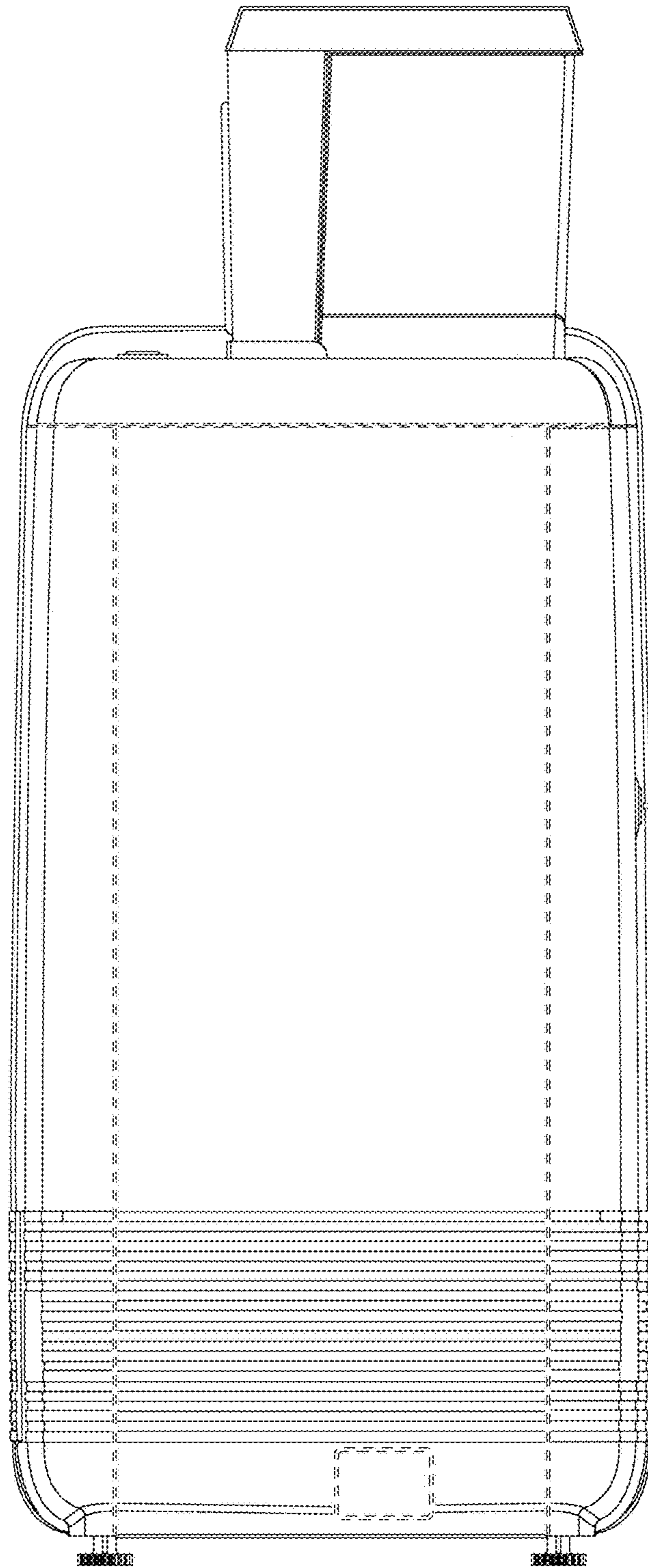


FIG. 1.2

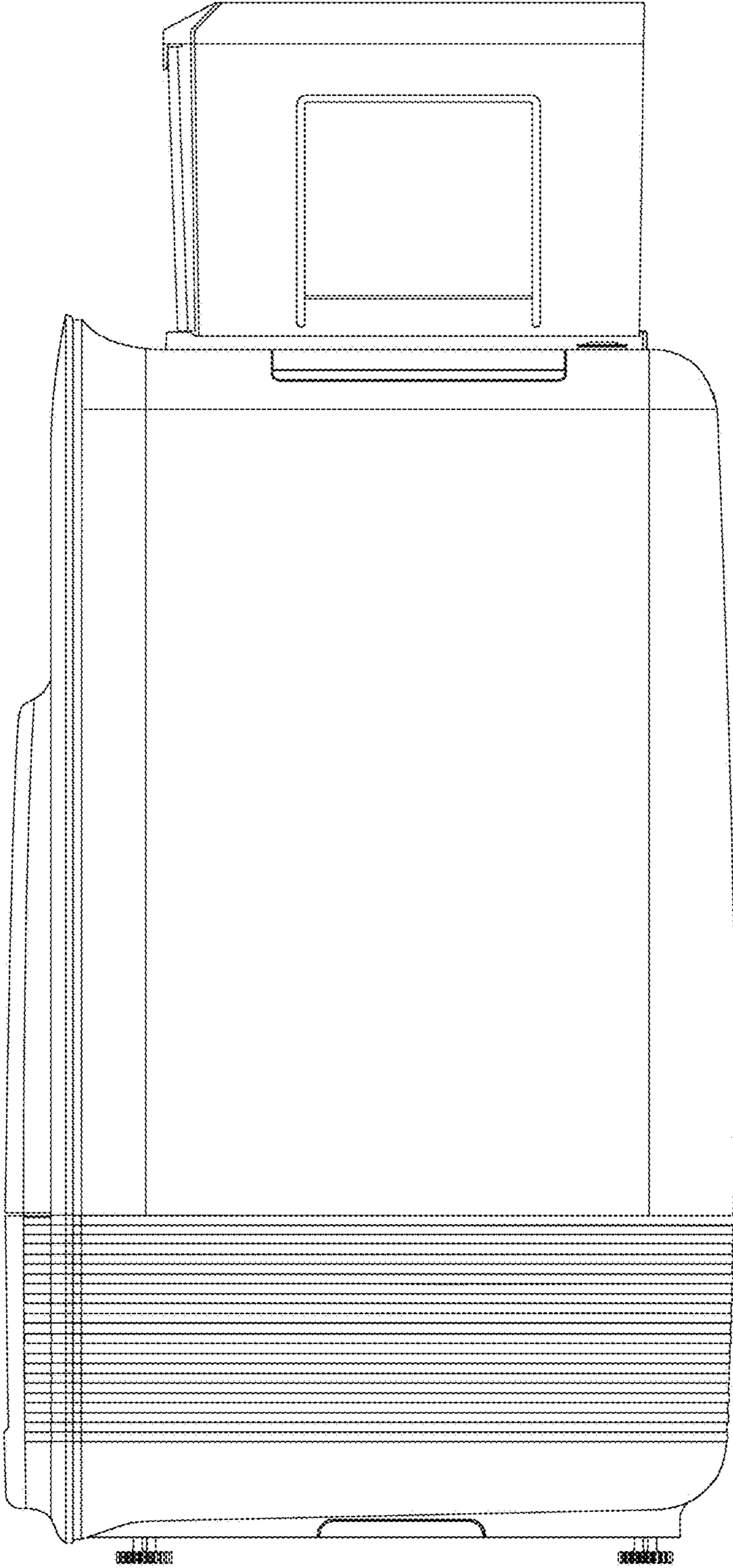


FIG. 1.3

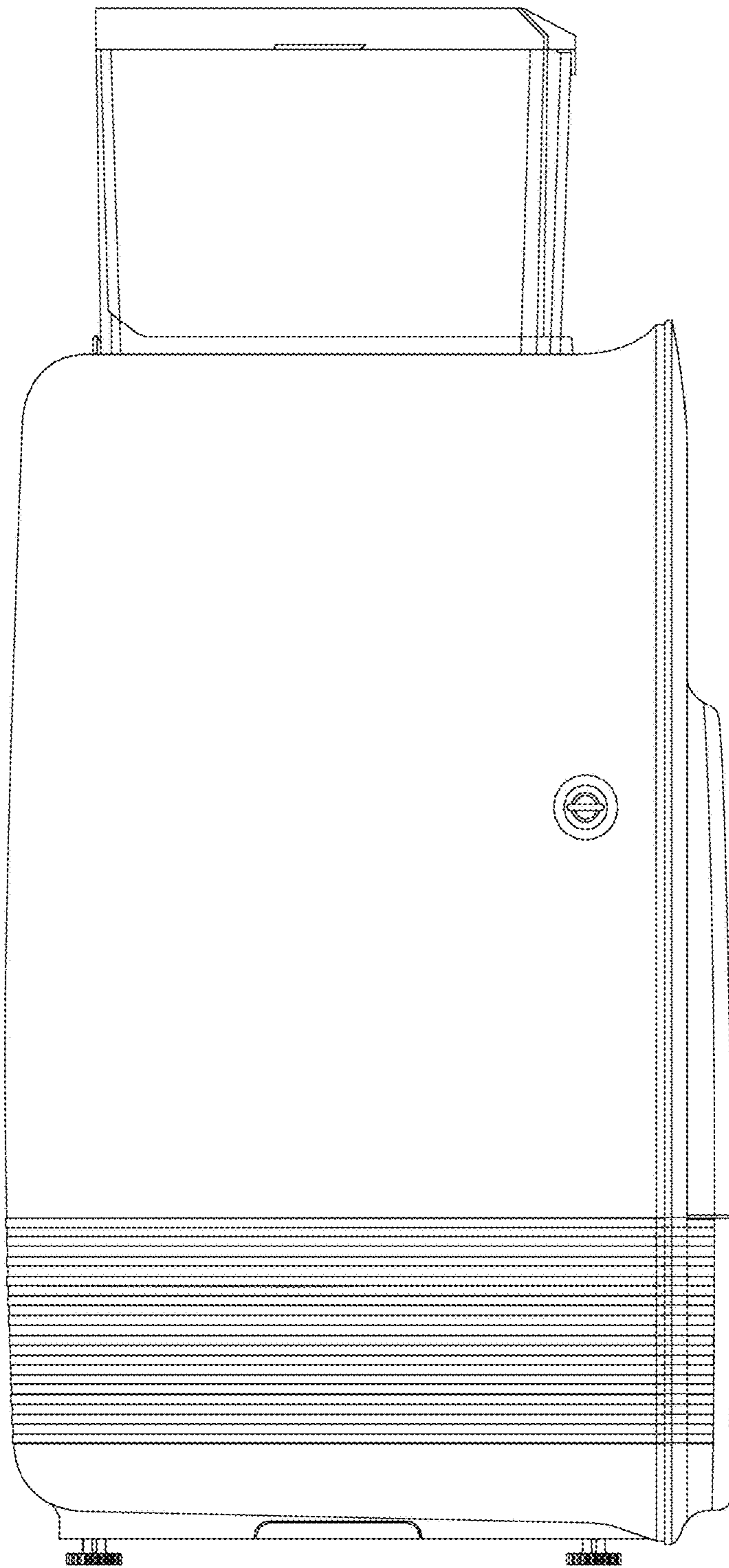


FIG. 1.4

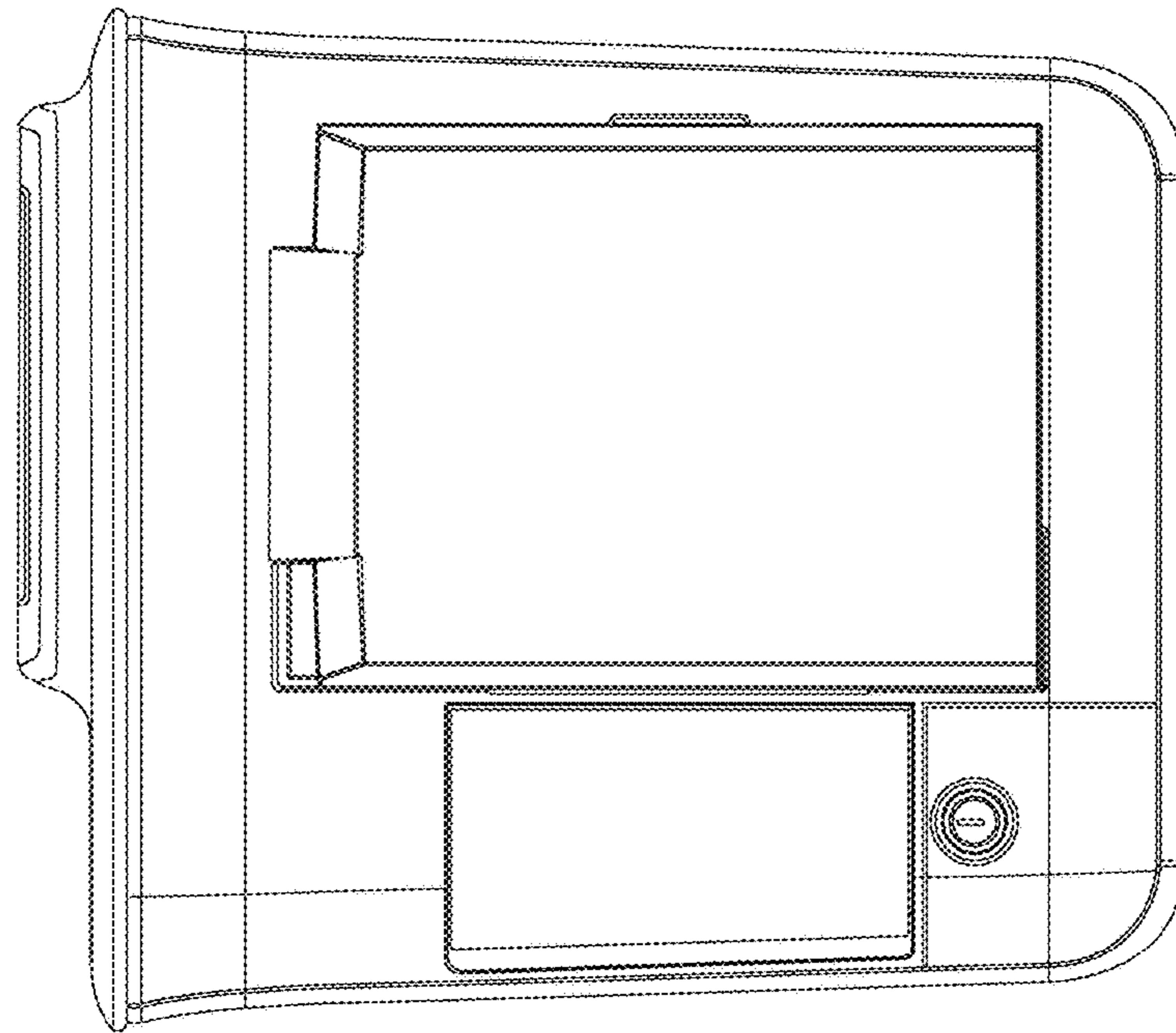


FIG. 1.5

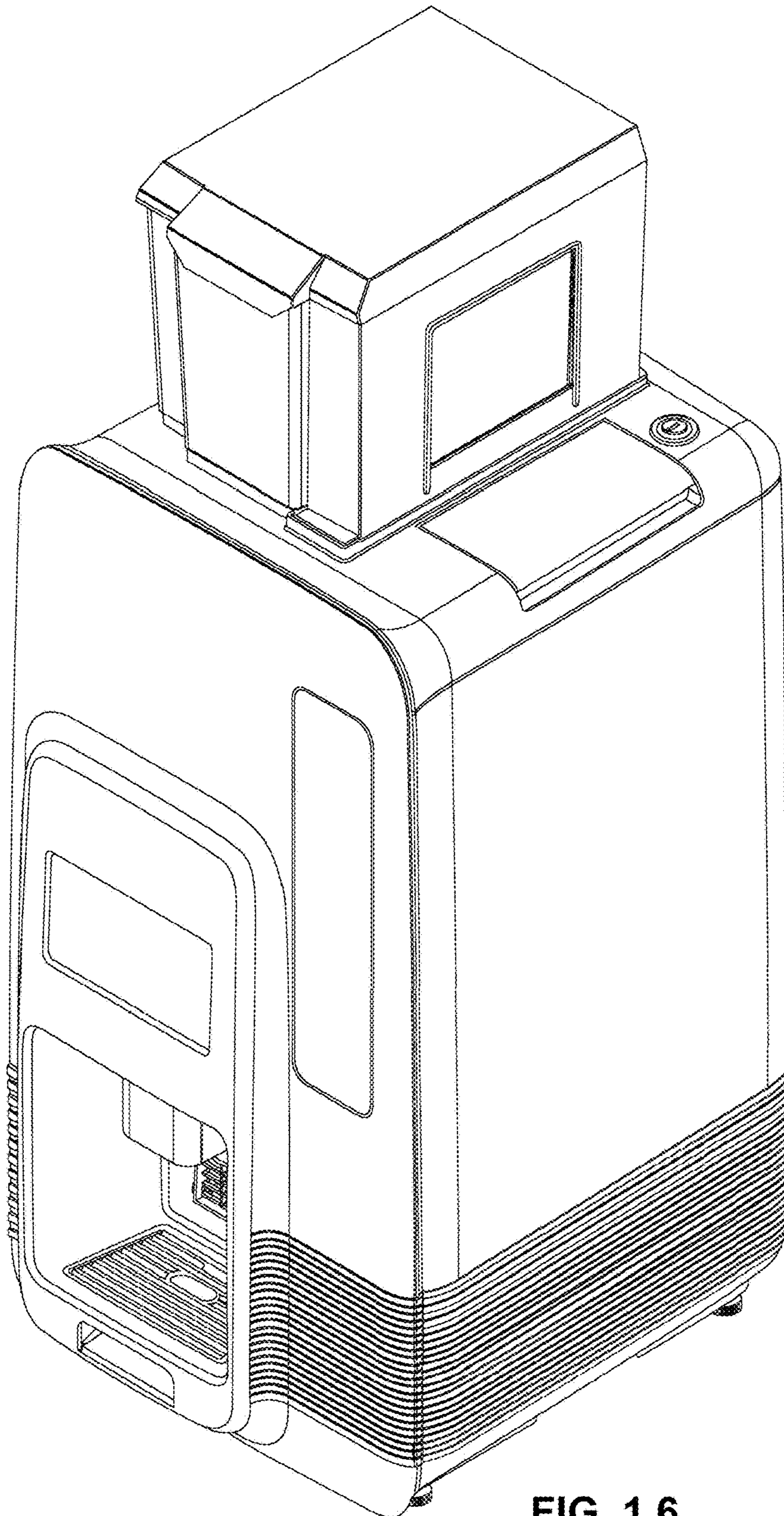


FIG. 1.6