



US00D846638S

(12) **United States Design Patent**
Goldstein

(10) **Patent No.:** **US D846,638 S**

(45) **Date of Patent:** **** Apr. 23, 2019**

- (54) **COMBINED PEN AND KNIFE TOOL**
- (71) Applicant: **Avraham Goldstein**, Flushing, NY
(US)
- (72) Inventor: **Avraham Goldstein**, Flushing, NY
(US)
- (**) Term: **15 Years**
- (21) Appl. No.: **29/623,458**
- (22) Filed: **Oct. 25, 2017**
- (51) **LOC (11) Cl.** **19-06**
- (52) **U.S. Cl.**
USPC **D19/123**
- (58) **Field of Classification Search**
USPC D8/98, 99, 100, 105; D19/123, 156, 157,
D19/168, 169, 170, 171, 172, 173
CPC B26B 11/08; B26B 11/003; B43K 29/18;
B43K 29/06
See application file for complete search history.

- 5,557,818 A * 9/1996 Leon B26B 11/00
30/162
- D397,147 S * 8/1998 Mackenzie D19/123
- D436,126 S * 1/2001 Rosenbaum D19/123
- D450,086 S * 11/2001 Rosenbaum D19/123
- 8,191,192 B1 * 6/2012 Barker B26B 5/002
7/158

* cited by examiner

Primary Examiner — Philip S Hyder

(57) **CLAIM**

I claim the ornamental design for a combined pen and knife tool, as shown and described.

DESCRIPTION

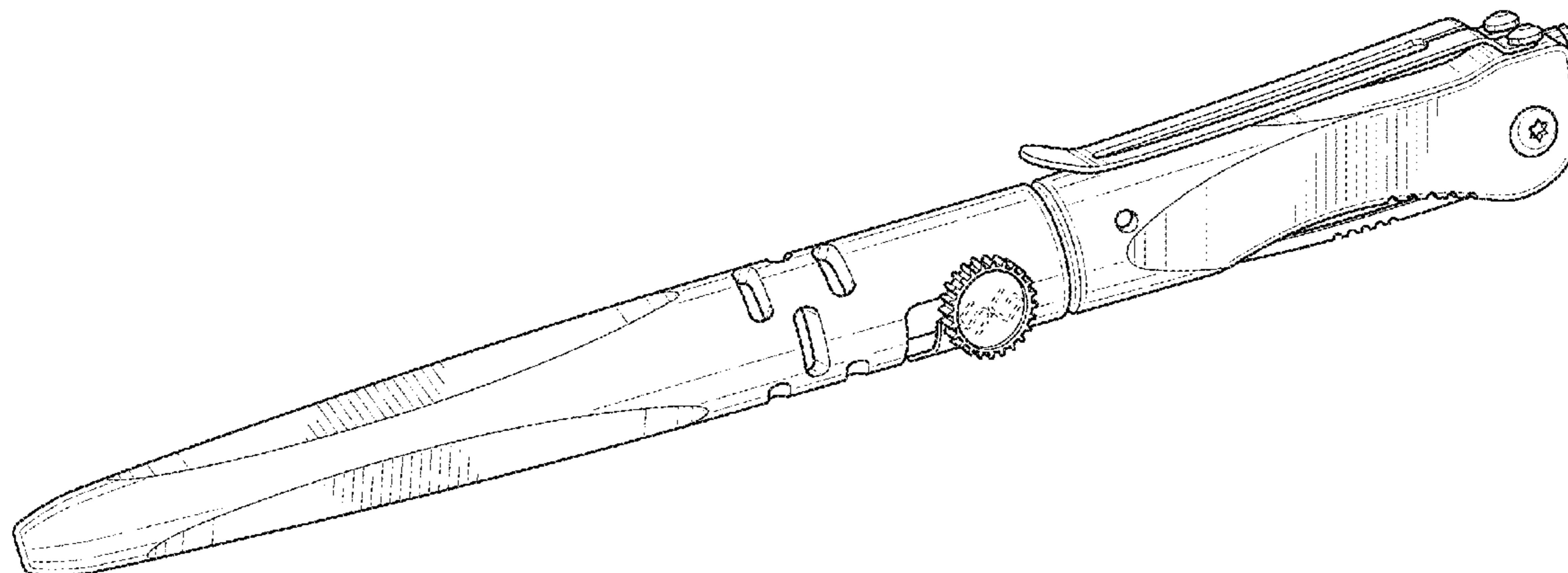
FIG. 1 is a perspective view of the pen and knife tool of the claimed design;
 FIG. 2 is a topside view of the pen and knife tool of FIG. 1;
 FIG. 3 is a bottom side view of the pen and knife tool of FIG. 1;
 FIG. 4 is a right side view of the pen and knife tool of FIG. 1;
 FIG. 5 is a left side view of the pen and knife tool of FIG. 1;
 FIG. 6 is a front side view of the pen and knife tool of FIG. 1; and,
 FIG. 7 is a backside view of the pen and knife tool of FIG. 1.

(56) **References Cited**

U.S. PATENT DOCUMENTS

- 2,896,576 A * 7/1959 Baer B26B 11/001
30/161
- D302,174 S * 7/1989 Coburn D19/123

1 Claim, 4 Drawing Sheets



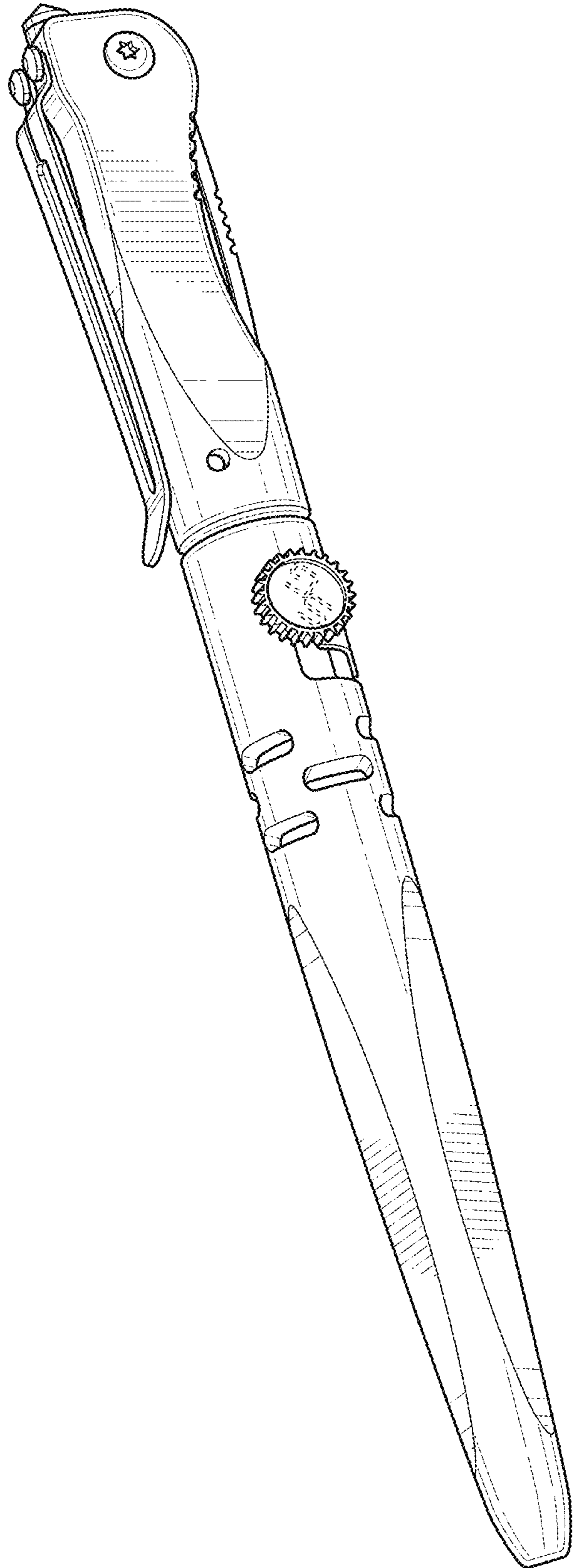


FIG. 1

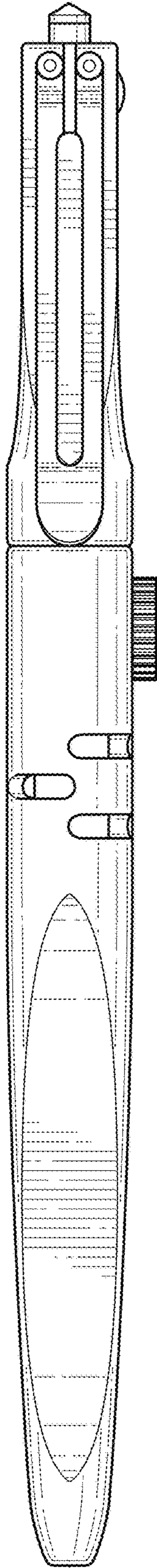


FIG. 2

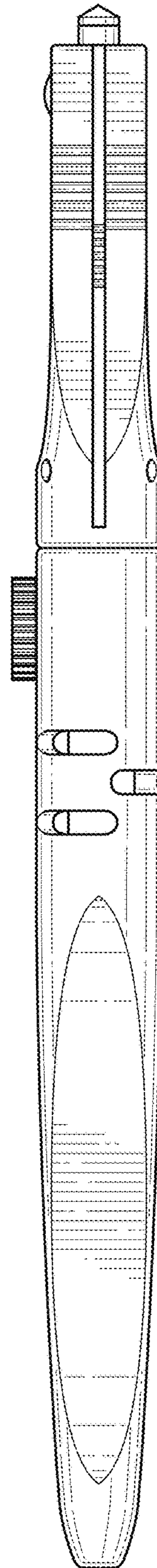


FIG. 3

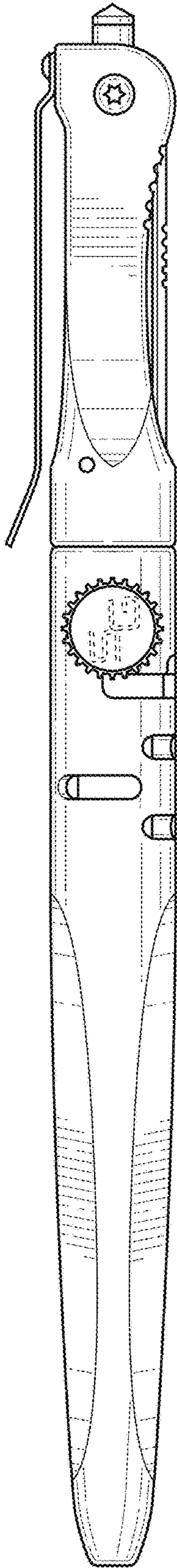


FIG. 4

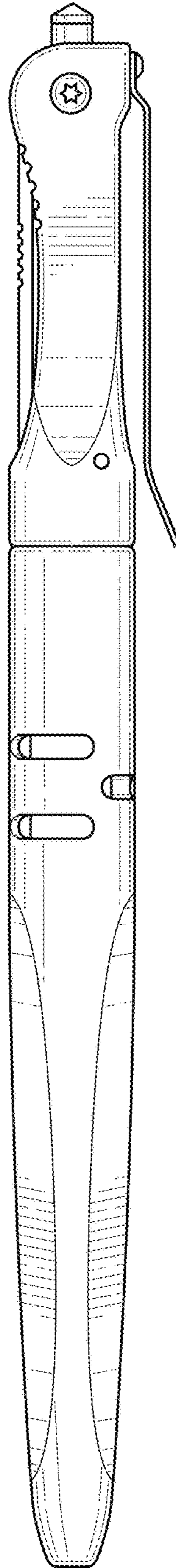


FIG. 5

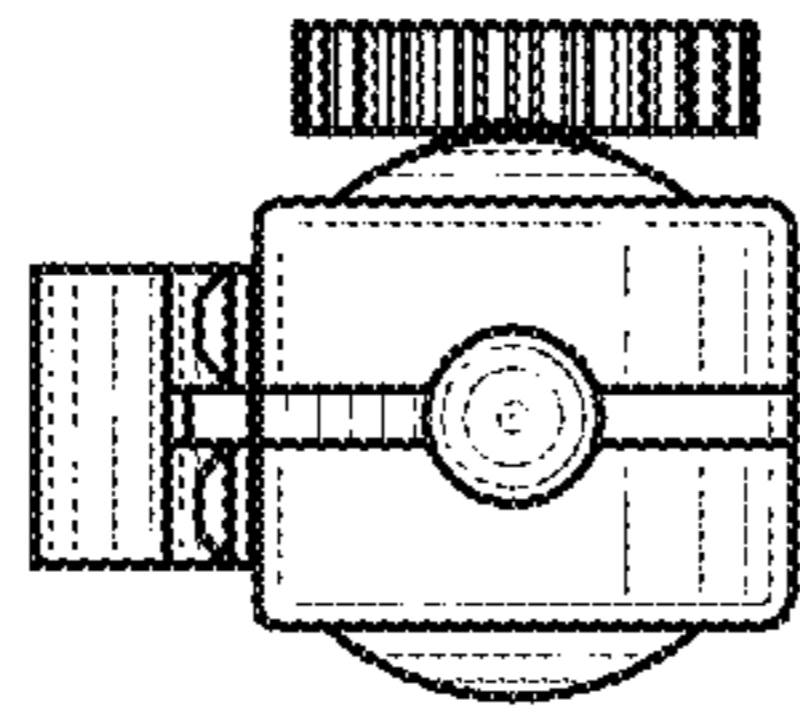


FIG. 7

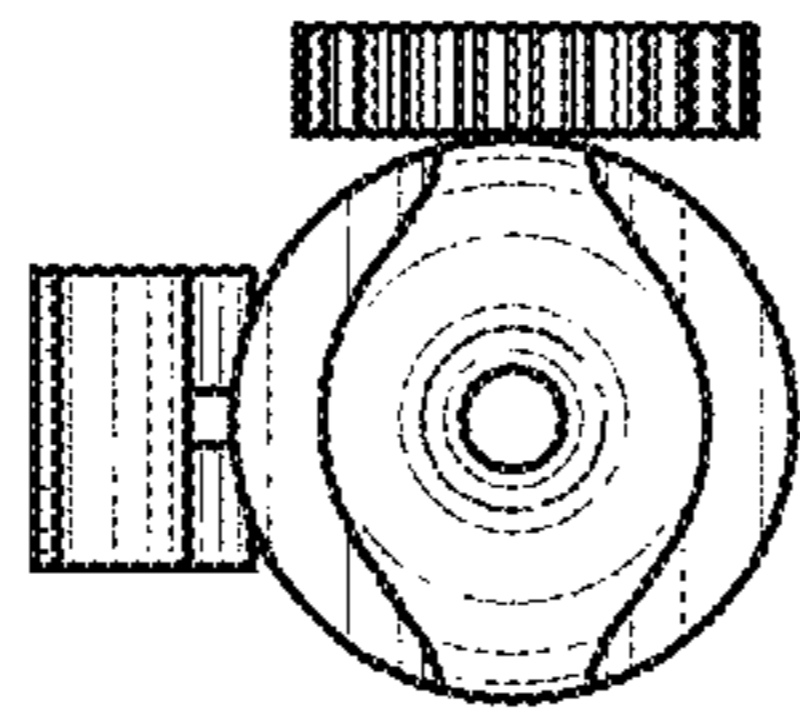


FIG. 6