



US00D846636S

(12) **United States Design Patent**
Faulkner

(10) **Patent No.:** **US D846,636 S**
(45) **Date of Patent:** **** Apr. 23, 2019**

(54) **EXPLODED AMMUNITION COMPONENT MODEL**

(71) Applicant: **Anthony Faulkner**, Pittsburgh, PA (US)

(72) Inventor: **Anthony Faulkner**, Pittsburgh, PA (US)

(**) Term: **15 Years**

(21) Appl. No.: **29/554,266**

(22) Filed: **Feb. 10, 2016**

(51) **LOC (11) Cl.** **19-07**

(52) **U.S. Cl.**
USPC **D19/62**

(58) **Field of Classification Search**
USPC D19/59-64
CPC G06N 99/005; G09B 23/06; F41A 9/38;
F41A 11/00; F41A 9/01; F41A 11/02;
F41A 9/54; F41A 9/55; F41A 9/56; F41A
9/57

See application file for complete search history.

(56) **References Cited**

U.S. PATENT DOCUMENTS

- 2,383,780 A * 8/1945 Dobremysl F41A 9/32
89/33.01
- 2,627,208 A * 2/1953 Simpson F41A 9/55
89/33.2
- 2,870,561 A * 1/1959 Colby F41A 9/55
42/18
- 3,276,322 A * 10/1966 Christiansson F41A 9/55
89/33.05
- 3,601,001 A * 8/1971 Jenny F41A 9/54
89/33.14
- 4,286,499 A * 9/1981 Gillum F41A 9/54
42/18

(Continued)

FOREIGN PATENT DOCUMENTS

CH 672179 A * 10/1989 F41D 10/22
DE 3612099 A1 * 12/1986 F41A 9/54

(Continued)

OTHER PUBLICATIONS

Etsy. Link: <https://www.etsy.com/shop/BallisticConcepts/items>. Visited Aug. 1, 2018. Ballistic Concepts online shop listings. (Year: 2018).*

(Continued)

Primary Examiner — Ian Simmons
Assistant Examiner — Lauren D McVey
(74) *Attorney, Agent, or Firm* — Peter J. Mikesell;
Schmeiser, Olsen & Watts, LLP

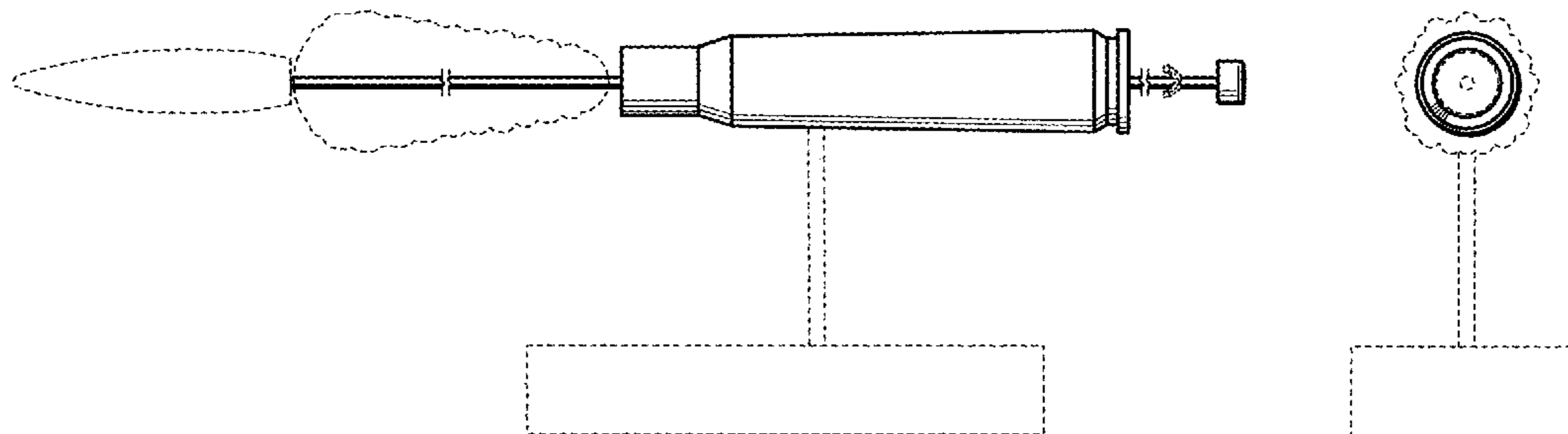
(57) **CLAIM**

The ornamental design for an exploded ammunition component model, as shown and described.

DESCRIPTION

FIG. 1 is a right side elevation view of an exploded ammunition component model showing my new design; FIG. 2 is a left side elevation view thereof; FIG. 3 is a top plan view thereof; FIG. 4 is a bottom plan view thereof; FIG. 5 is a front elevation view thereof; FIG. 6 is a rear elevation view thereof; and, FIG. 7 is a top right rear perspective view thereof. The broken line showing of the base, support bar, gunpowder and bullet are included to illustrate an environment of the exploded ammunition component model. None of the broken lines form any part of the claimed design. The exploded ammunition component model is shown with a symbolic break in its length. The appearance of any portion of the article between the break lines forms no part of the claimed design.

1 Claim, 3 Drawing Sheets



(56)

References Cited

U.S. PATENT DOCUMENTS

4,587,879	A *	5/1986	Savioli	F41A 9/55 89/33.04
4,898,071	A *	2/1990	Borgwarth	F41A 9/01 414/676
D545,369	S *	6/2007	Scharfetter	D19/63
9,377,255	B2 *	6/2016	Karagias	F41C 23/04
D778,355	S *	2/2017	Magness	D19/64
2012/0152094	A1 *	6/2012	Gonzalez	F41A 9/34 89/33.2
2013/0062262	A1 *	3/2013	Nygaard	B07C 5/10 209/552

FOREIGN PATENT DOCUMENTS

EP		0083288	A1 *	7/1983	F41A 9/04
GB		624354	A *	6/1949	F41A 9/54
JP		03045897	A *	2/1991	F41A 9/04

OTHER PUBLICATIONS

Etsy. Link: https://www.etsy.com/listing/532011910/7mm-remington-magnum-w-168gr-berger?ref=shop_home_active_35. Dec. 31, 2017.
7mm Remington Magnum w/ 168gr Berger bullet—3D expanded ammunition cartridge teaching visual aid or desk display (Year: 2017).*

Faulker, Anthony; “Ammunition Displays by Ballistic Concepts, LLC” Posted on Internet Nov. 18, 2015.

Kreofsky, Chadd; “Reloading 101: Learning the art” Posted on Internet Dec. 12, 2015.

Langkamp, Don; “Going Diorama-Crazy” Posted on Internet Dec. 27, 2015.

Mote, James, “Facebook Post” Posted on Internet Dec. 27, 2015.

* cited by examiner

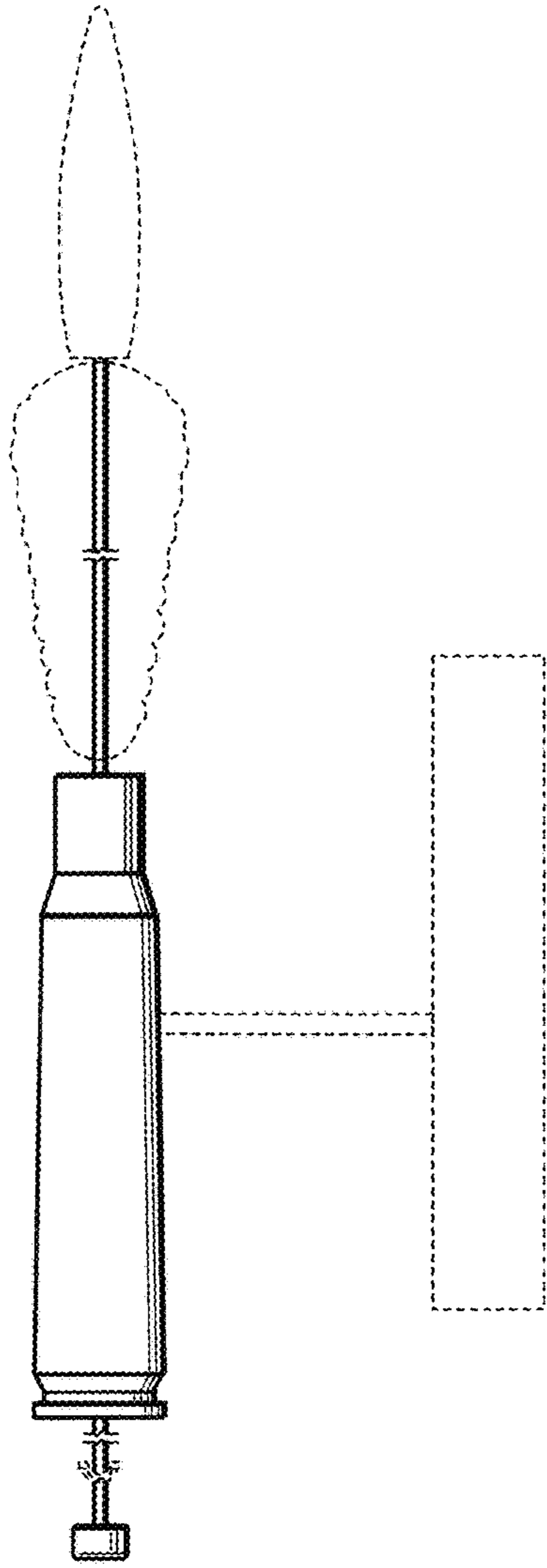


FIG. 1

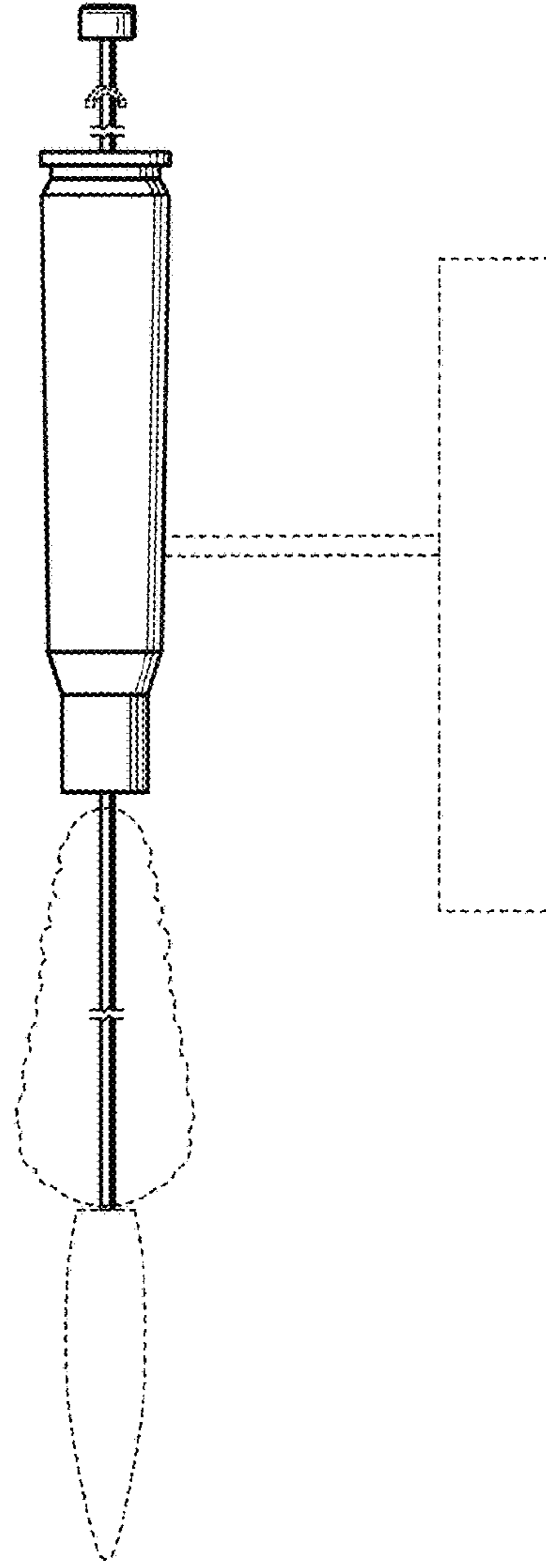


FIG. 2

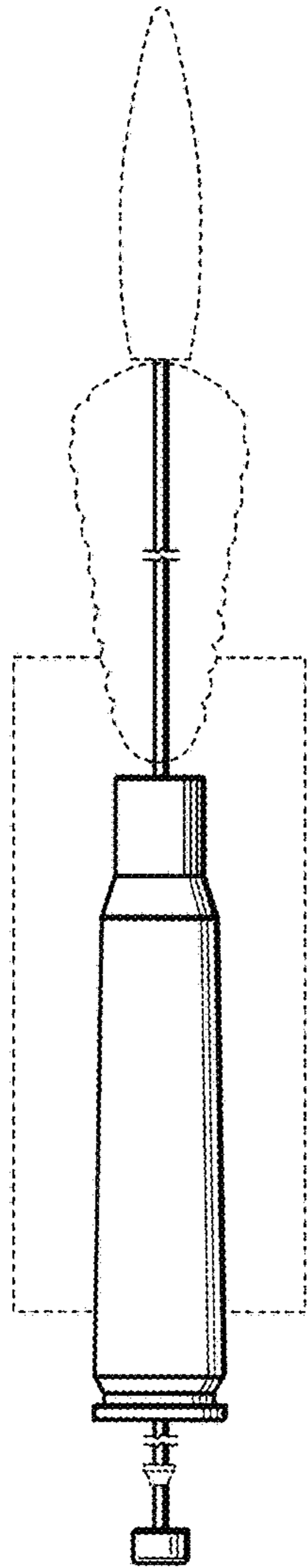


FIG. 3

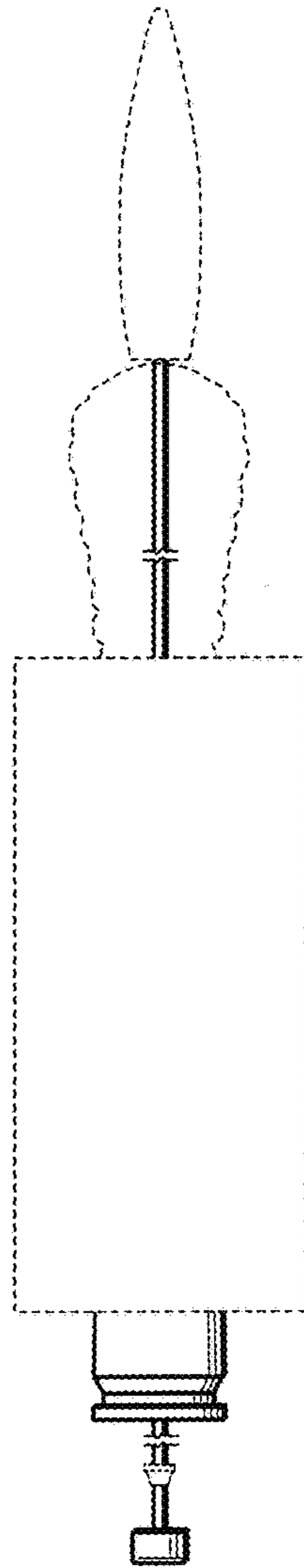


FIG. 4



FIG. 6

FIG. 5

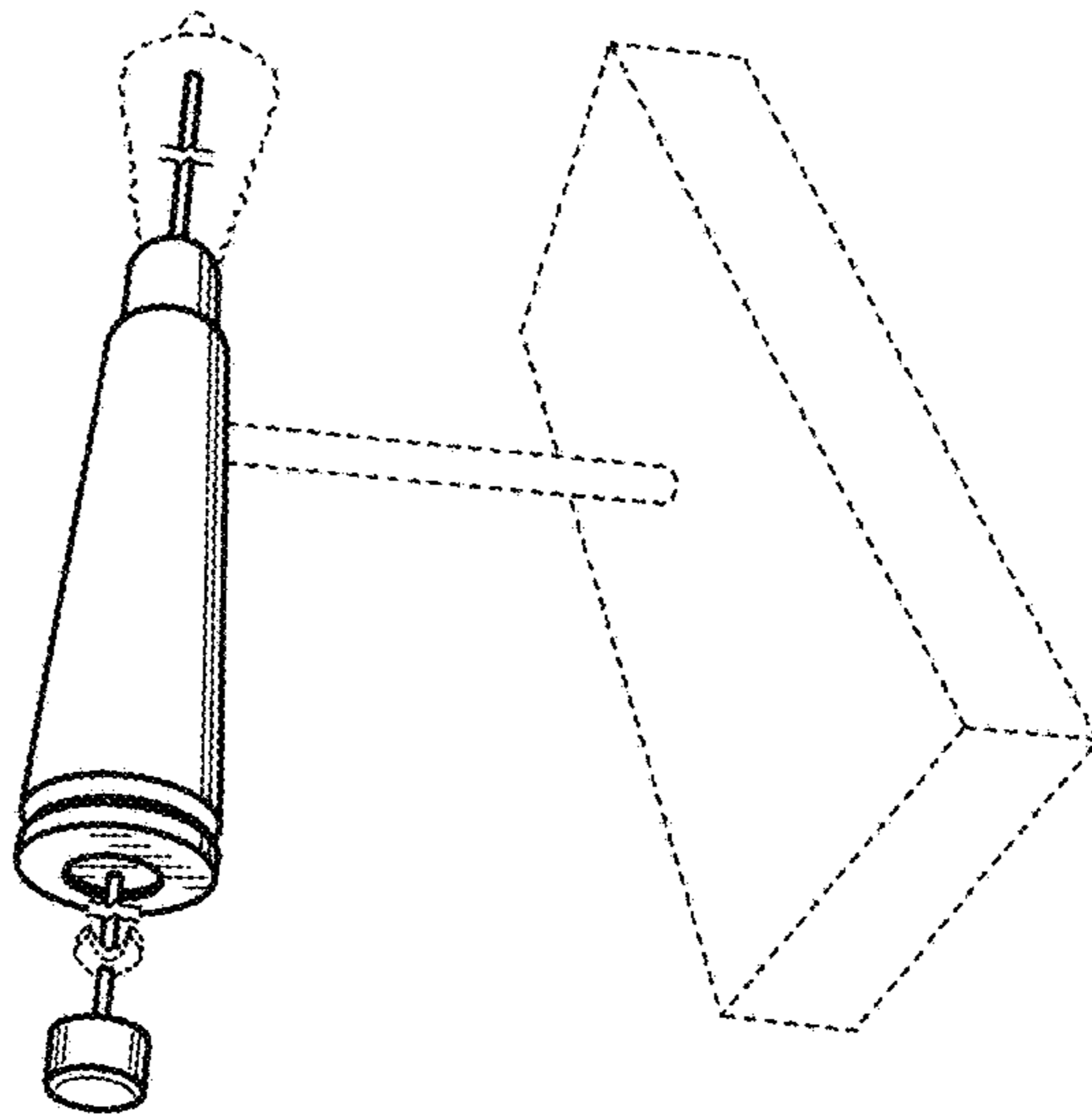


FIG. 7