



US00D846634S

(12) **United States Design Patent**
Chang

(10) **Patent No.:** **US D846,634 S**

(45) **Date of Patent:** **** Apr. 23, 2019**

(54) **PRINTER**

(71) Applicant: **INTERNATIONAL CURRENCY TECHNOLOGIES CORPORATION,**
Taipei (TW)

(72) Inventor: **Chia-Min Chang,** Taipei (TW)

(73) Assignee: **INTERNATIONAL CURRENCY TECHNOLOGIES CORPORATION,**
Taipei (TW)

(**) Term: **15 Years**

(21) Appl. No.: **29/612,734**

(22) Filed: **Aug. 3, 2017**

(51) **LOC (11) Cl.** **14-02**

(52) **U.S. Cl.**
USPC **D18/50**

(58) **Field of Classification Search**
USPC D18/50, 54.1, 54, 58, 6, 99
CPC . B41J 11/58; B41J 15/12; B41J 15/042; B41J
17/00; B41J 29/02; B41J 3/4075
See application file for complete search history.

(56) **References Cited**

U.S. PATENT DOCUMENTS

D362,673 S * 9/1995 Yamamoto D18/19
D374,452 S * 10/1996 Sato D18/50
8,976,212 B2 * 3/2015 Watson B41J 2/32
347/197
D750,162 S * 2/2016 Ozawa D18/19

D753,217 S * 4/2016 Ozawa D18/50
9,315,040 B2 * 4/2016 Inoue B41J 2/17596
D761,902 S * 7/2016 Matsumoto D18/50
9,656,486 B2 * 5/2017 Kanda B41J 11/663
9,682,577 B2 * 6/2017 Zhang B41J 11/04
D813,296 S * 3/2018 Nakaeda D18/50
9,969,189 B2 * 5/2018 Nihashi B41J 11/58

* cited by examiner

Primary Examiner — Robin V Webster

Assistant Examiner — J. Thorn, Sr.

(74) *Attorney, Agent, or Firm* — Muncy, Geissler, Olds & Lowe, P.C.

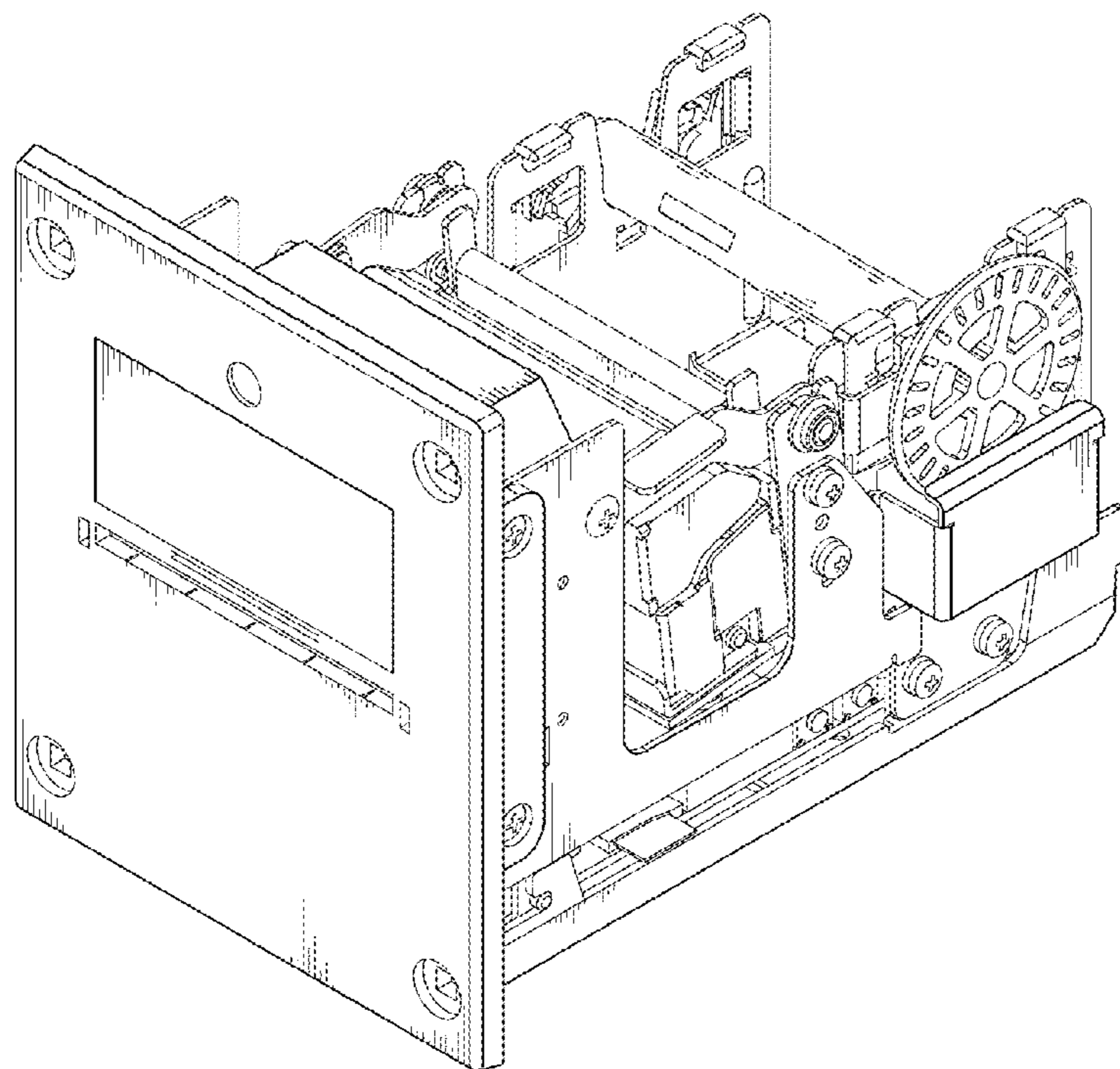
(57) **CLAIM**

The ornamental design for a printer, as shown and described.

DESCRIPTION

FIG. 1 is a perspective view of a printer showing my design;
FIG. 2 is a front view thereof;
FIG. 3 is a rear view thereof;
FIG. 4 is a left side view thereof;
FIG. 5 is a right side view thereof;
FIG. 6 is a top view thereof;
FIG. 7 is a bottom view thereof.
FIG. 8 is another perspective view of the printer in FIG. 1;
and,
FIG. 9 is a perspective view thereof.
The broken lines shown in FIG. 9 are included for the purpose of illustrating environmental structure and form no part of the claimed design.

1 Claim, 9 Drawing Sheets



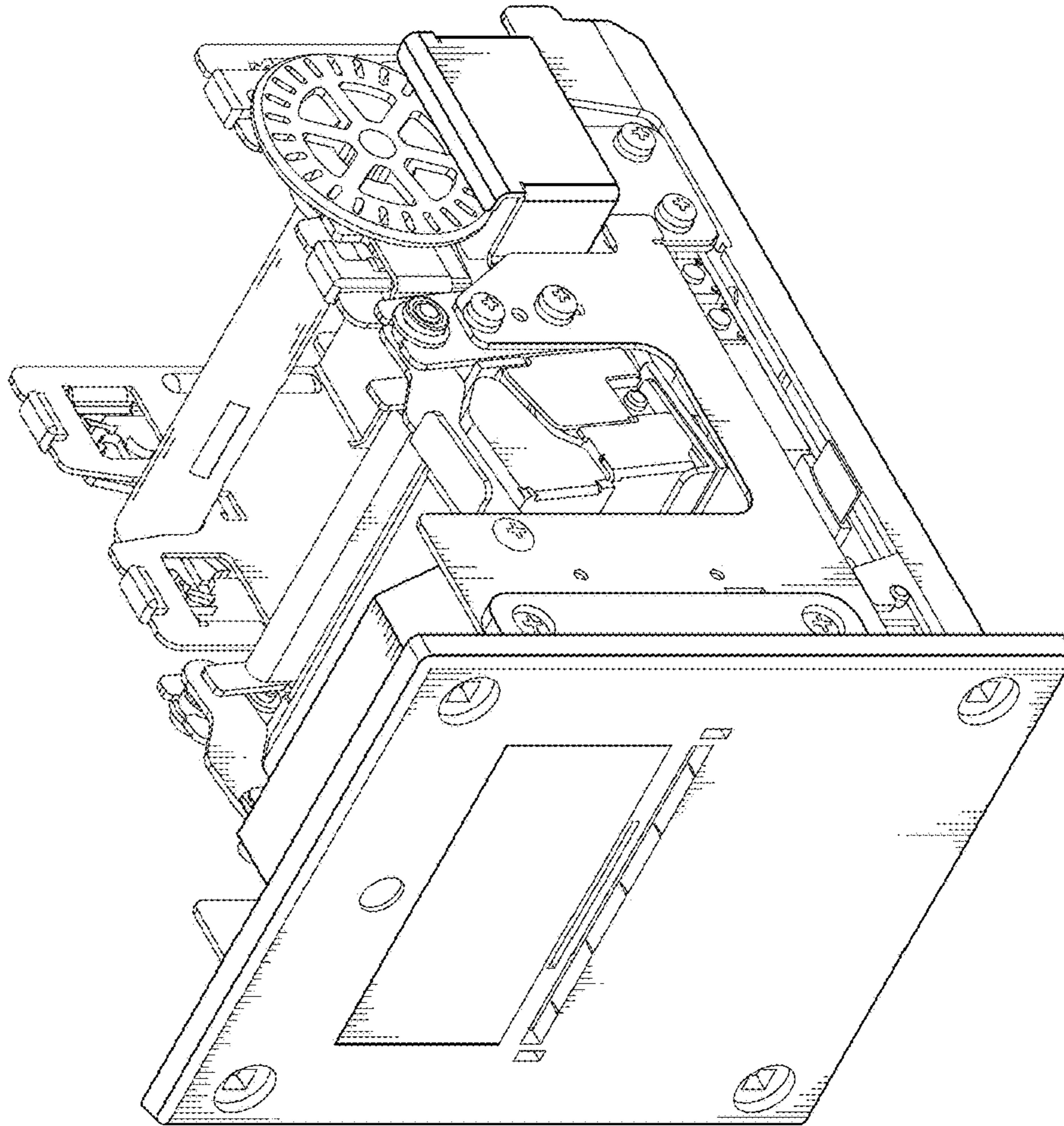


FIG. 1

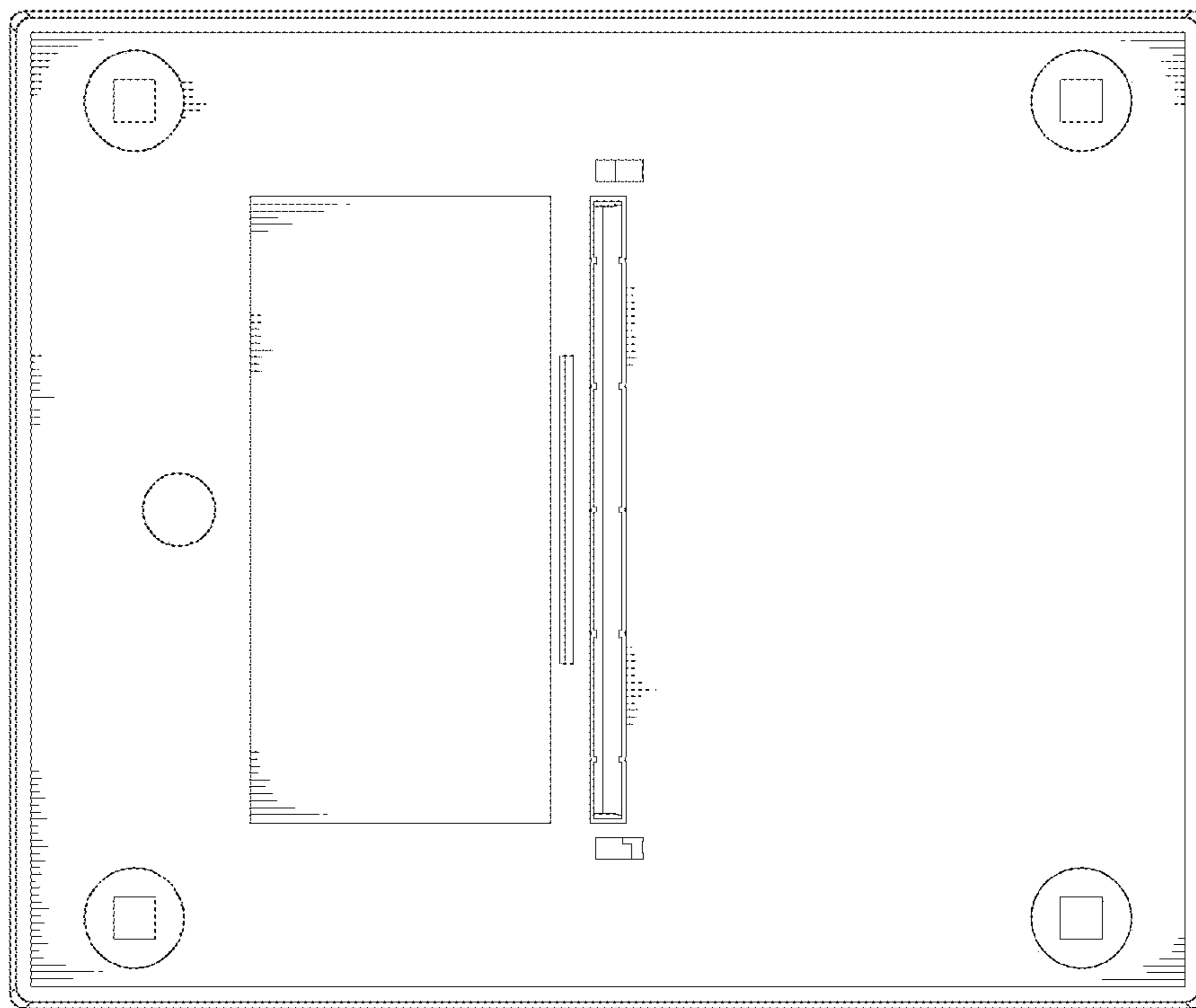


FIG. 2

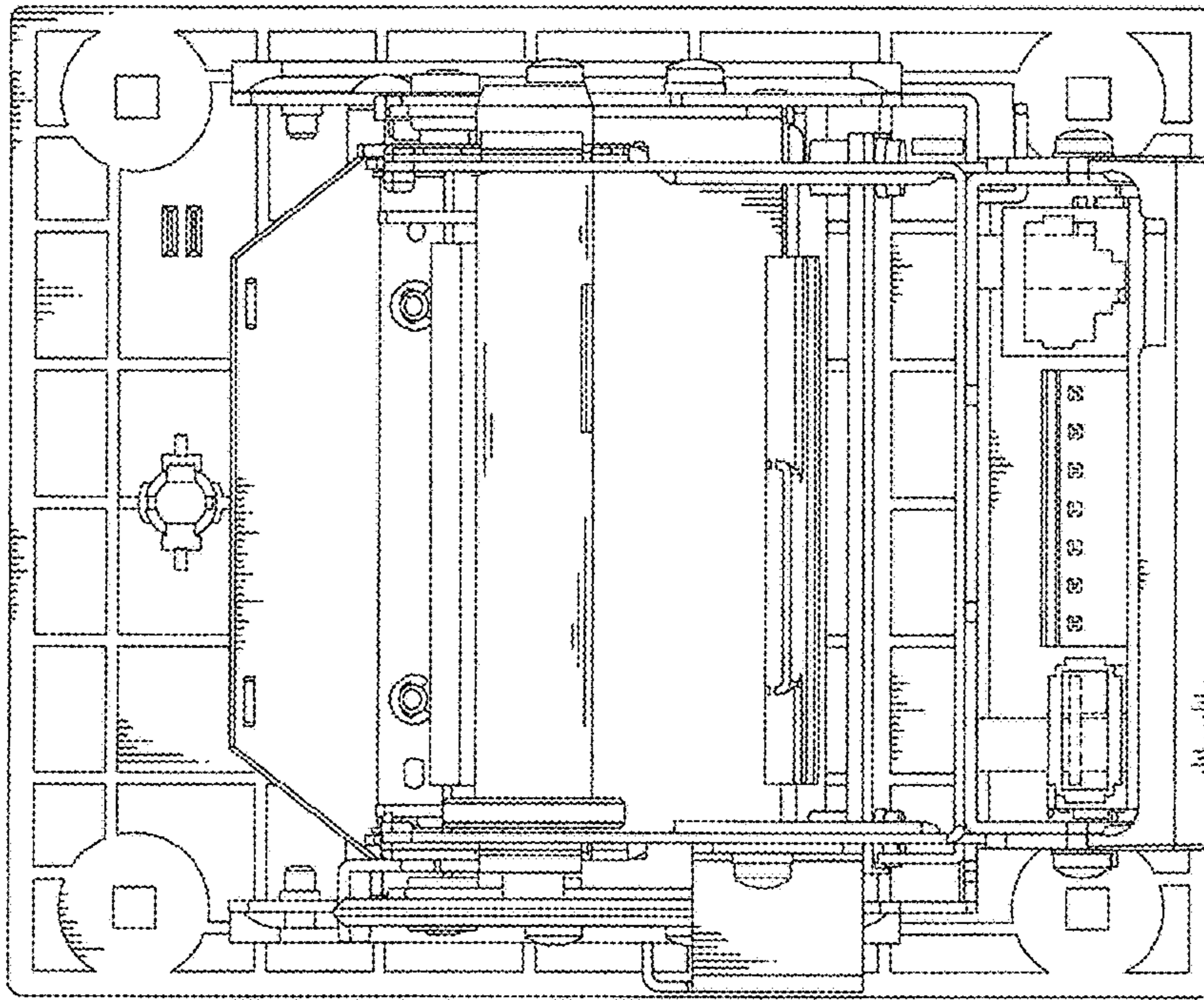


FIG. 3

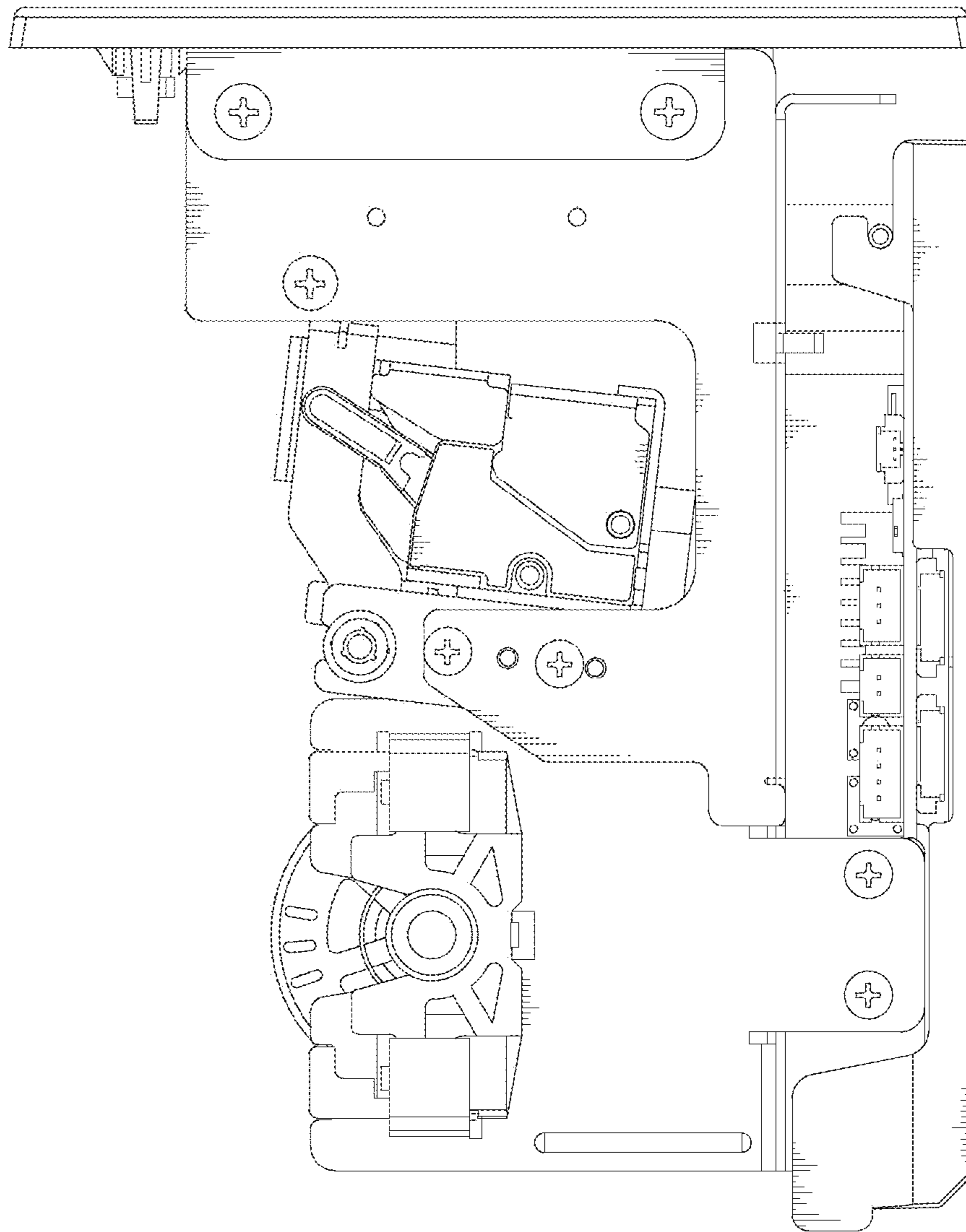


FIG. 4

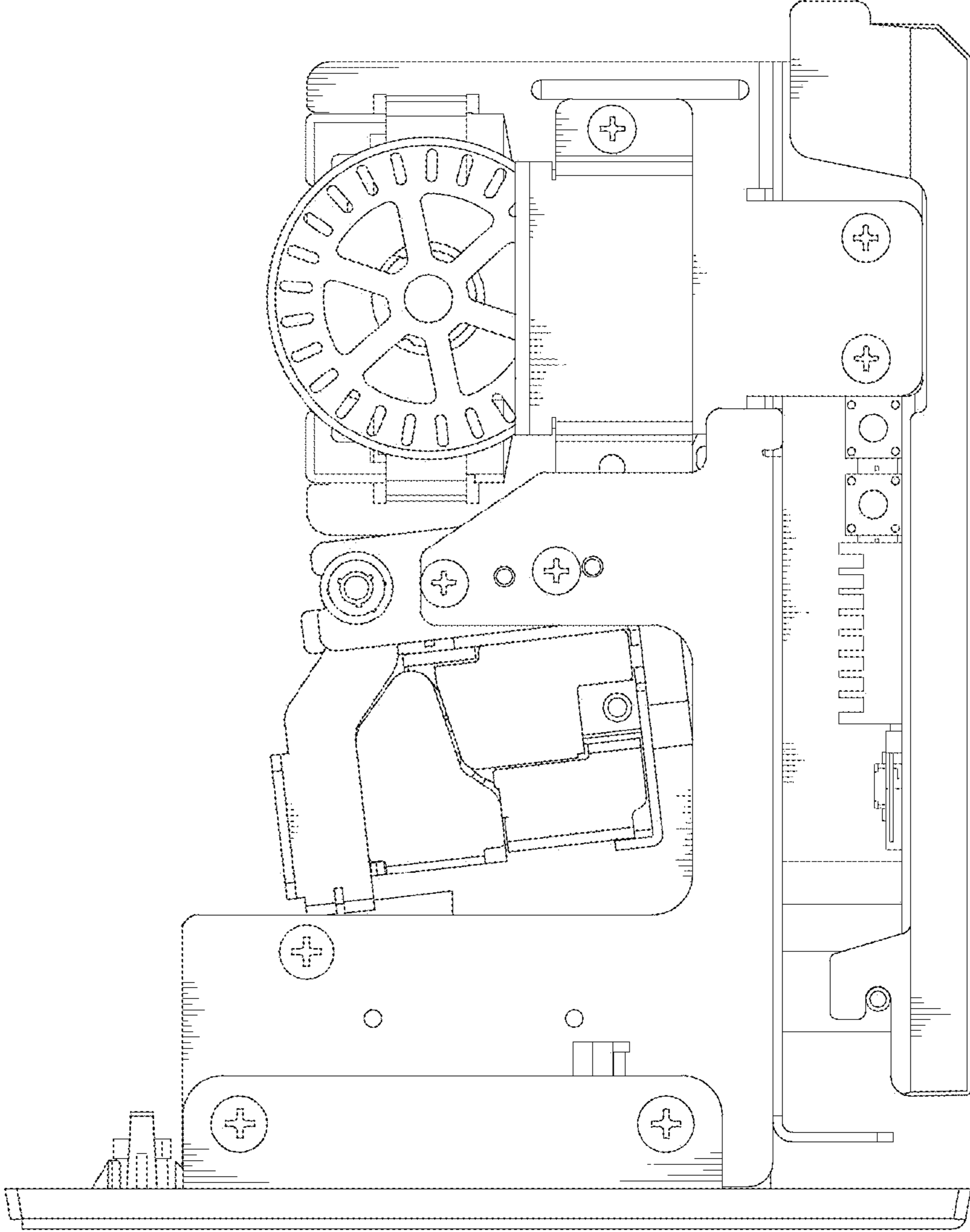


FIG. 5

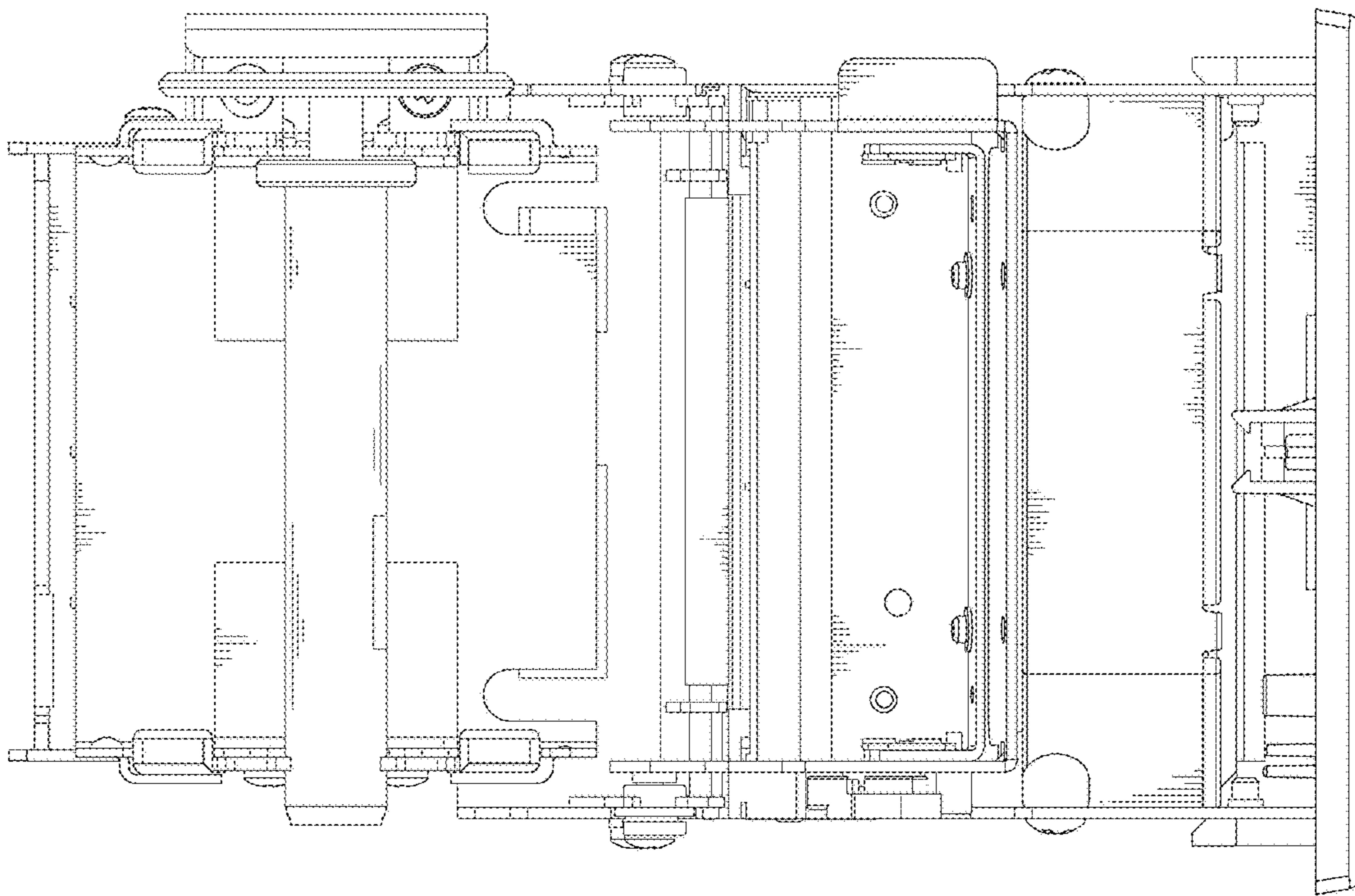


FIG. 6

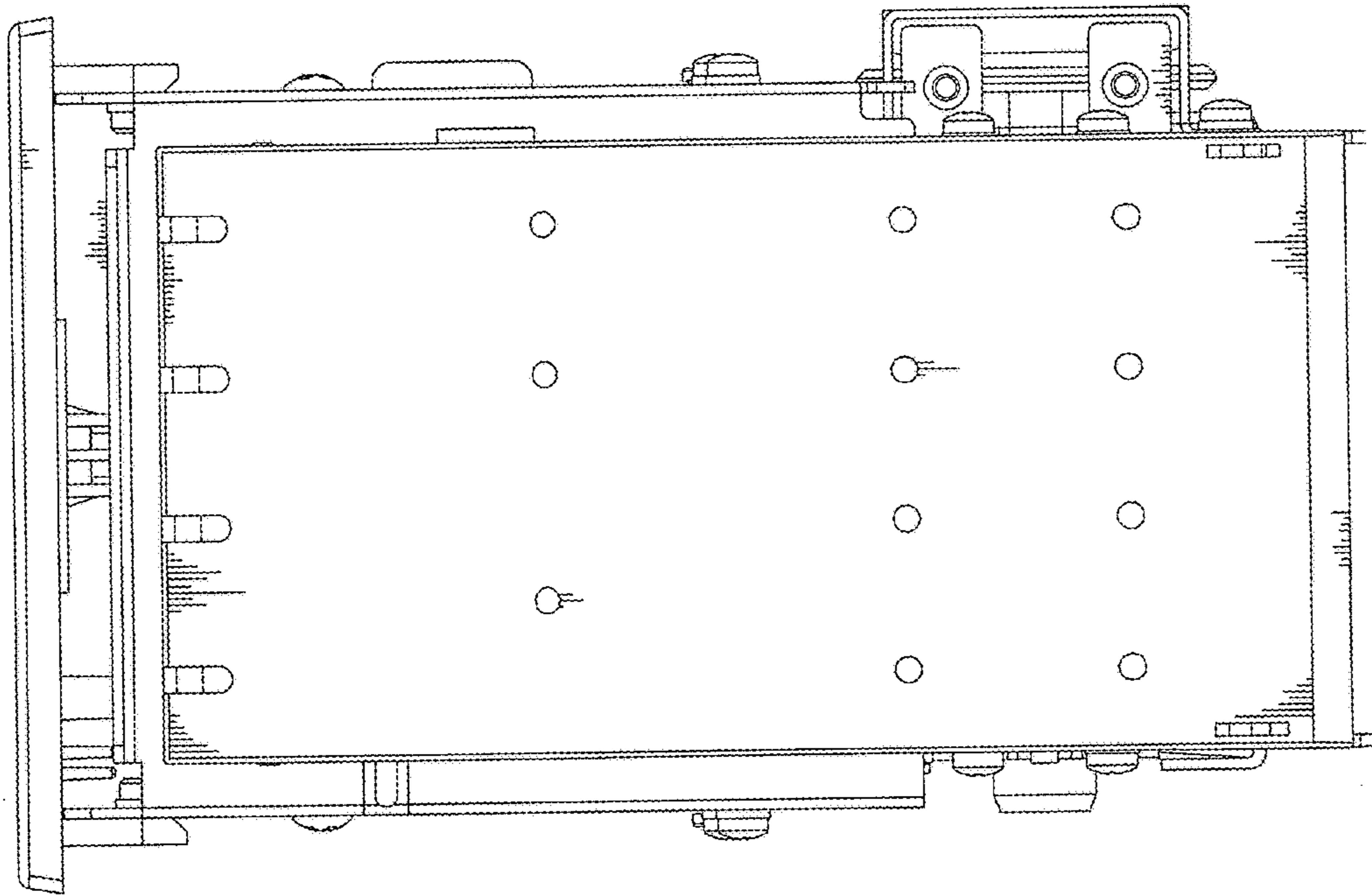


FIG. 7

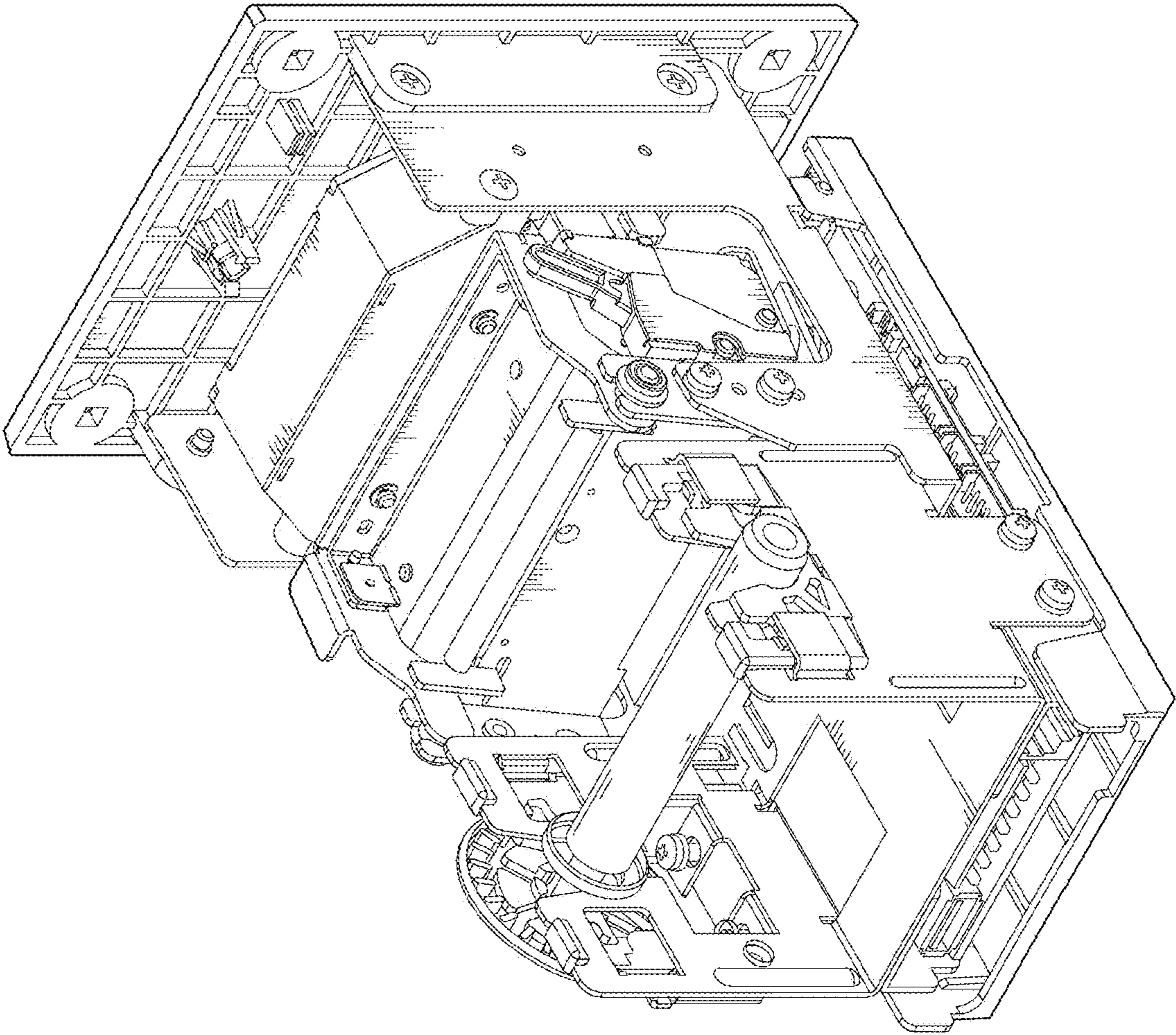


FIG. 8

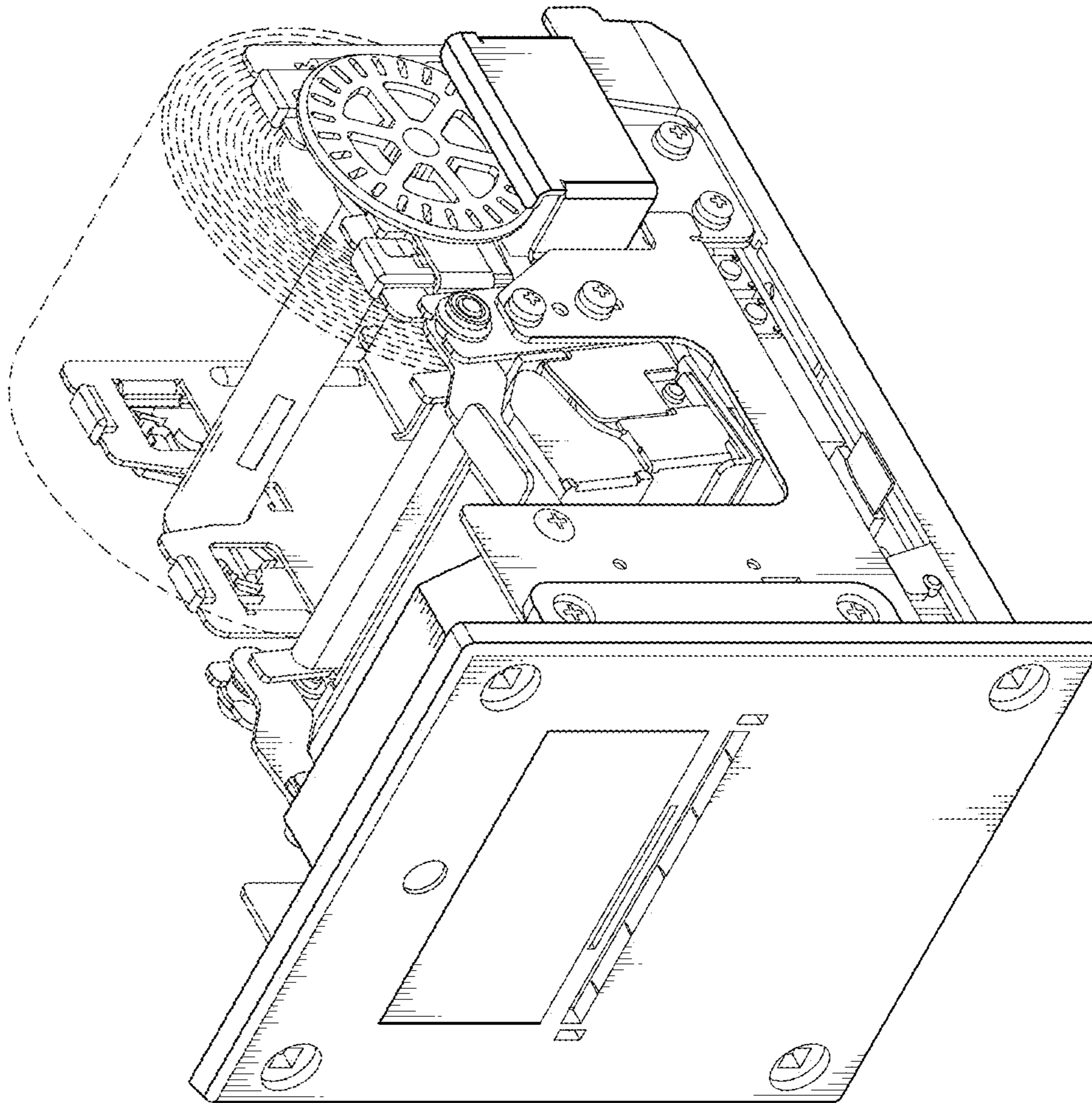


FIG. 9