



US00D846631S

(12) **United States Design Patent**  
**Shea et al.**

(10) **Patent No.:** **US D846,631 S**  
(45) **Date of Patent:** **\*\* Apr. 23, 2019**

(54) **MUSICAL INSTRUMENT**  
(71) Applicant: **Warwick Music Limited**, Tamworth (GB)  
(72) Inventors: **Christopher Shea**, Tamworth (GB); **Mathew Robert Pope**, Tamworth (GB)  
(73) Assignee: **Warwick Music Limited**, Tamworth (GB)

6,008,443 A \* 12/1999 Honorato Ibanez ... G10D 9/026 84/387 R  
6,118,059 A \* 9/2000 Ternes ..... G10D 7/10 84/387 A  
7,329,809 B2 \* 2/2008 Marosevic ..... G10D 9/02 84/398  
7,439,429 B2 \* 10/2008 Wood ..... G10D 7/00 84/385 R

(\*\*) Term: **15 Years**  
(21) Appl. No.: **29/613,045**  
(22) Filed: **Aug. 7, 2017**

(30) **Foreign Application Priority Data**  
Feb. 13, 2017 (EM) ..... 003752591-0001  
(51) **LOC (11) Cl.** ..... **17-02**  
(52) **U.S. Cl.**  
USPC ..... **D17/11**  
(58) **Field of Classification Search**  
USPC ..... D17/10, 11, 13, 99; D21/405, 411, 483  
CPC .. G10D 7/00; G10D 7/10; G10D 7/12; G10D 9/00; G10D 9/04; G10D 9/005; G10D 9/026  
See application file for complete search history.

**OTHER PUBLICATIONS**

Paul Ayick Vintage Brass, Home page, webarchive Jan. 11, 2016, [online]. [site visited Jun. 21, 2018]. Available from Internet, <URL: <https://web.archive.org/web/20160111213628/http://paulayickvintagebrass.com/>> (Year: 2016).\*

(Continued)

*Primary Examiner* — Sheryl Lane  
*Assistant Examiner* — Samantha Wood  
(74) *Attorney, Agent, or Firm* — Troutman Sanders LLP; Ryan A. Schneider

(56) **References Cited**  
U.S. PATENT DOCUMENTS

D43,205 S \* 10/1912 Reynolds ..... 84/387 R  
1,662,076 A \* 3/1928 Newman ..... G10D 7/10 84/394  
2,672,783 A \* 3/1954 Kaufer ..... G10D 7/10 137/601.12  
2,795,162 A \* 6/1957 Eash ..... G10D 7/10 84/397  
2,987,950 A \* 6/1961 Kent ..... G10D 7/10 84/388

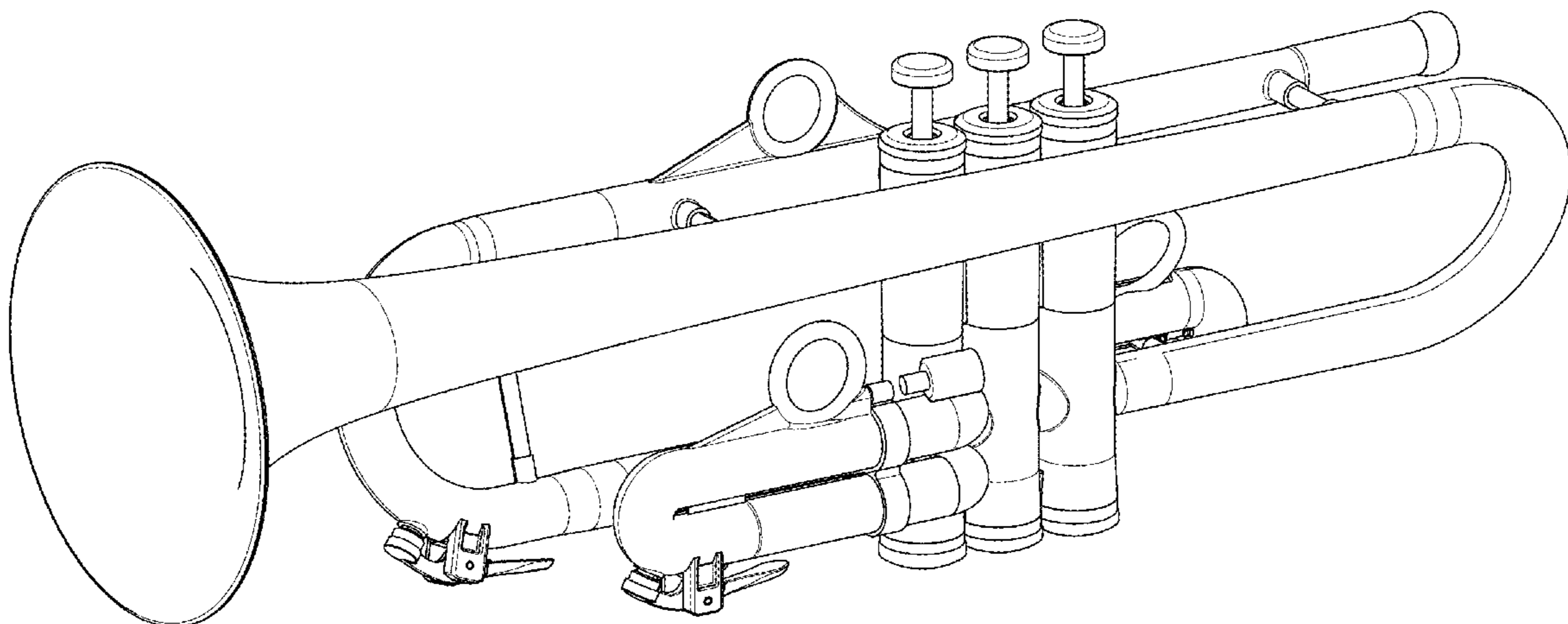
(57) **CLAIM**

The ornamental design for a musical instrument, as shown and described.

**DESCRIPTION**

FIG. 1 is a side elevation view of the musical instrument showing our new design;  
FIG. 2 is a perspective view thereof;  
FIG. 3 is another perspective view thereof;  
FIG. 4 is a mouthpiece supporting end elevation view thereof;  
FIG. 5 is a bell end elevation view thereof; and,  
FIG. 6 is a top plan view thereof.  
The broken lines are included for the purpose of showing portions of the musical instrument and form no part of the claimed design.

**1 Claim, 6 Drawing Sheets**



(56)

**References Cited**

OTHER PUBLICATIONS

Tucks Music Store, 1962 Vintage HN White King Super 20 SilverSonic Trumpet, manufactured 1962, [online], [site visited Jun. 21, 2018]. Available from Internet, <URL: [http://www.tucksmusicstore.com/Silversonic\\_382682.html](http://www.tucksmusicstore.com/Silversonic_382682.html)> (Year: 1962).\*

Stomvi-USA, Forte BB Trumpet, reviewed Aug. 17, 2015, [online], [site visited Jun. 21, 2018]. Available from Internet, <URL: <http://stomvi-usa.com/shop/forte-bb-trumpet-2/>> (Year: 2015).\*

Stomvi-USA, Elite 330 BB Trumpet, webarchive Oct. 26, 2014, [online], [site visited Jun. 21, 2018]. Available from Internet, <URL: <https://web.archive.org/web/20141026122625/http://stomvi-usa.com/shop/elite-330-bb-trumpet/>> (Year: 2014).\*

\* cited by examiner

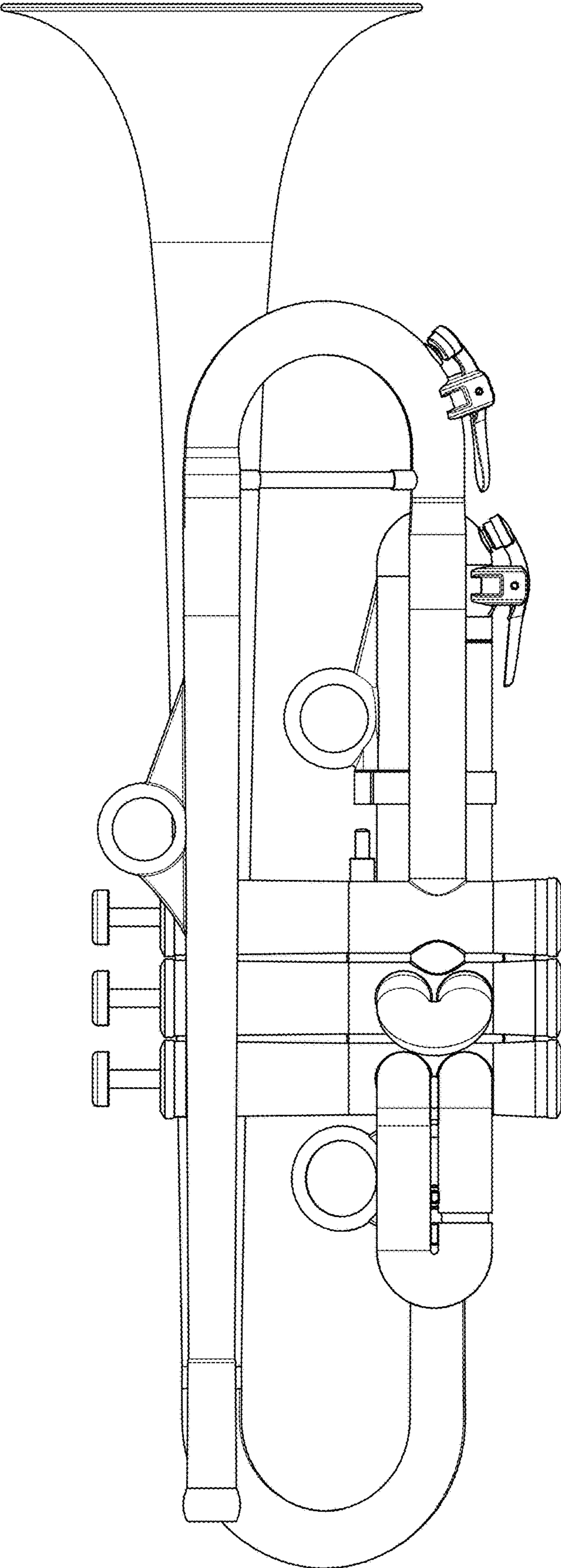


FIG. 1

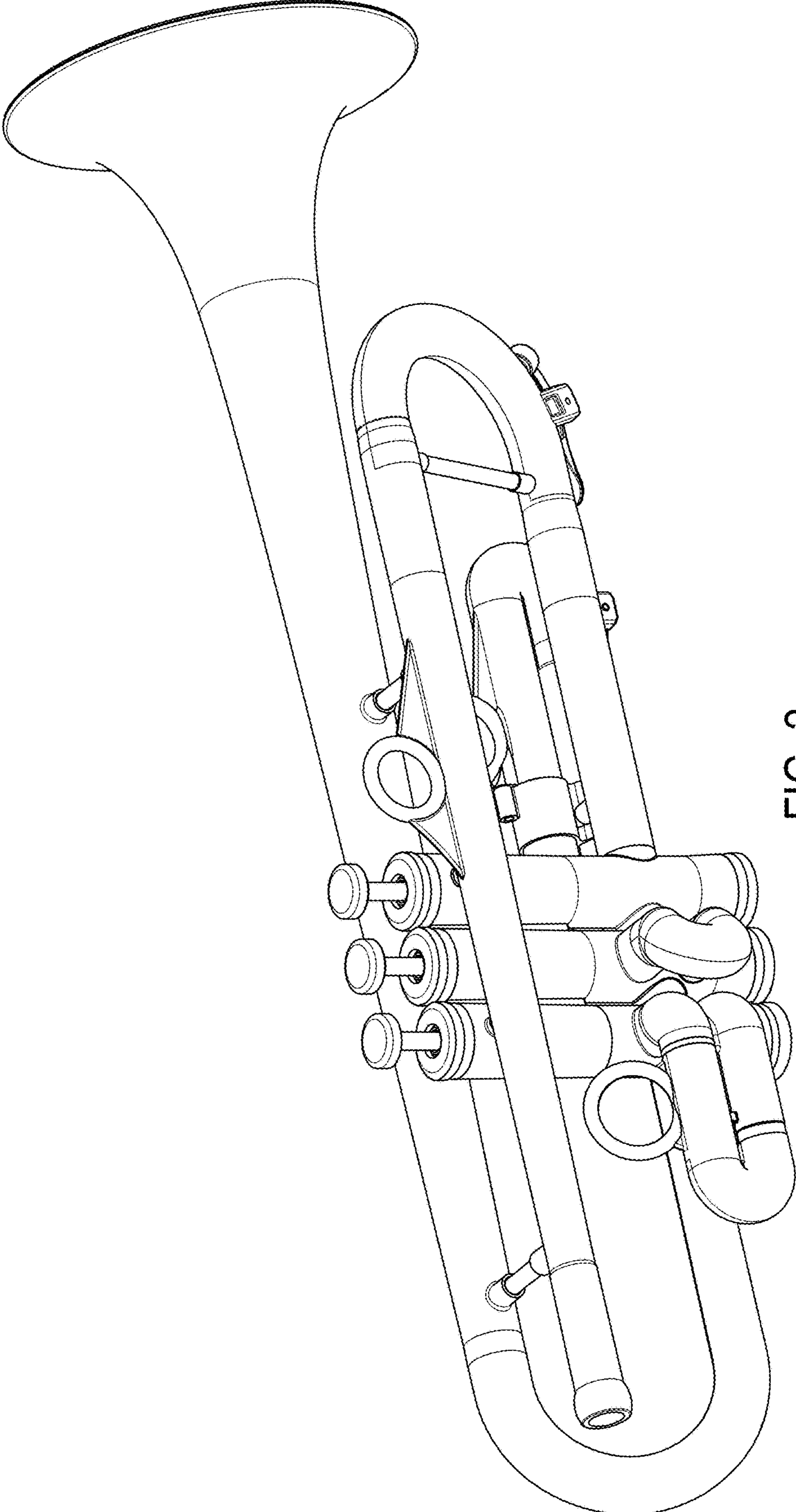


FIG. 2

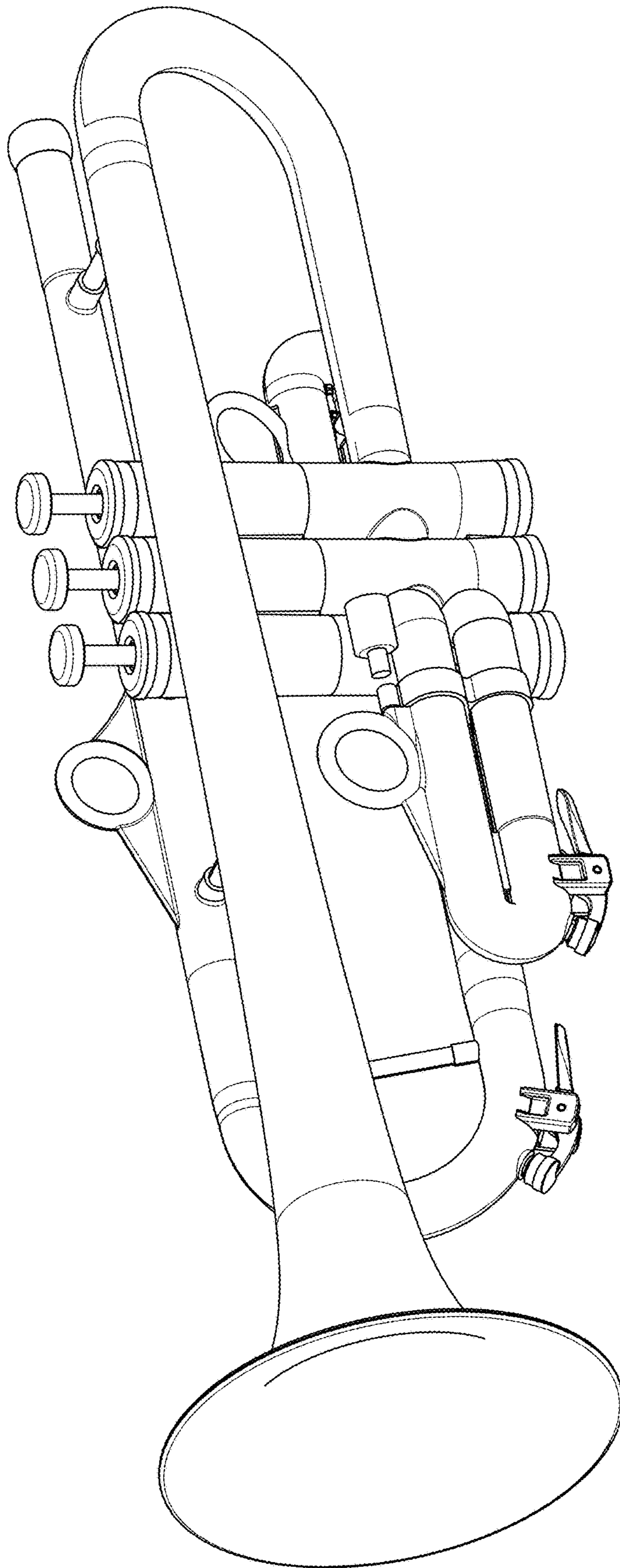


FIG. 3

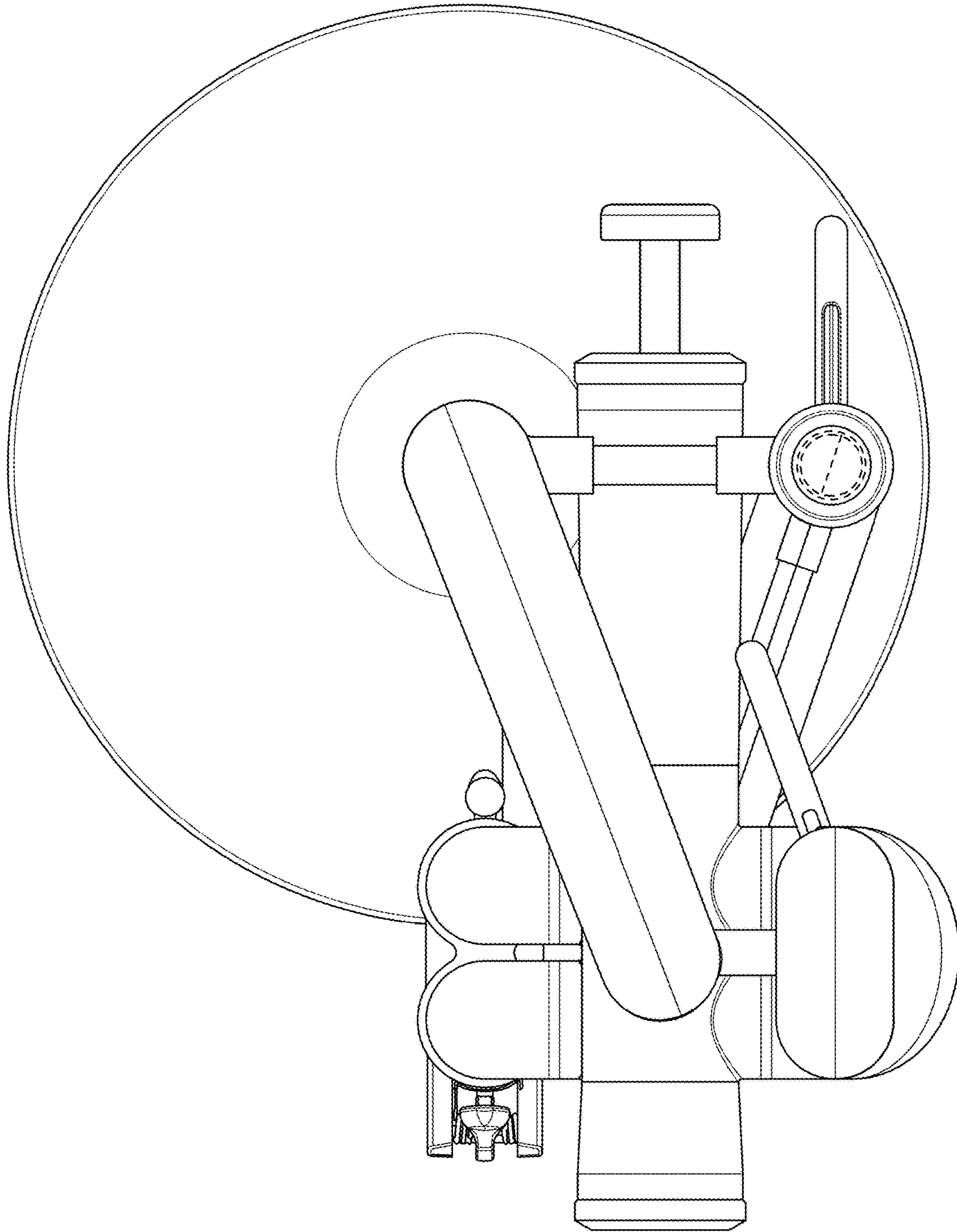


FIG. 4

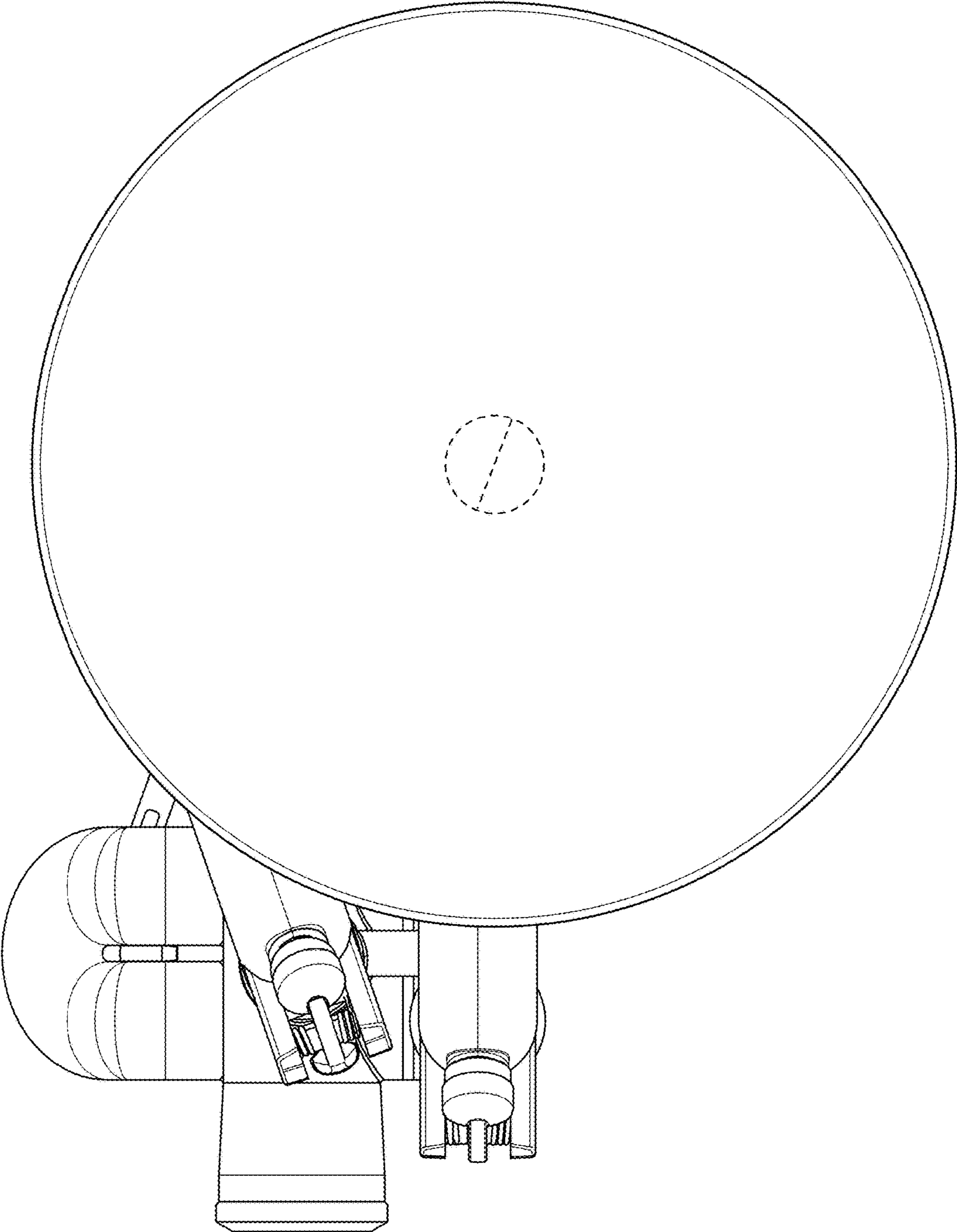


FIG. 5

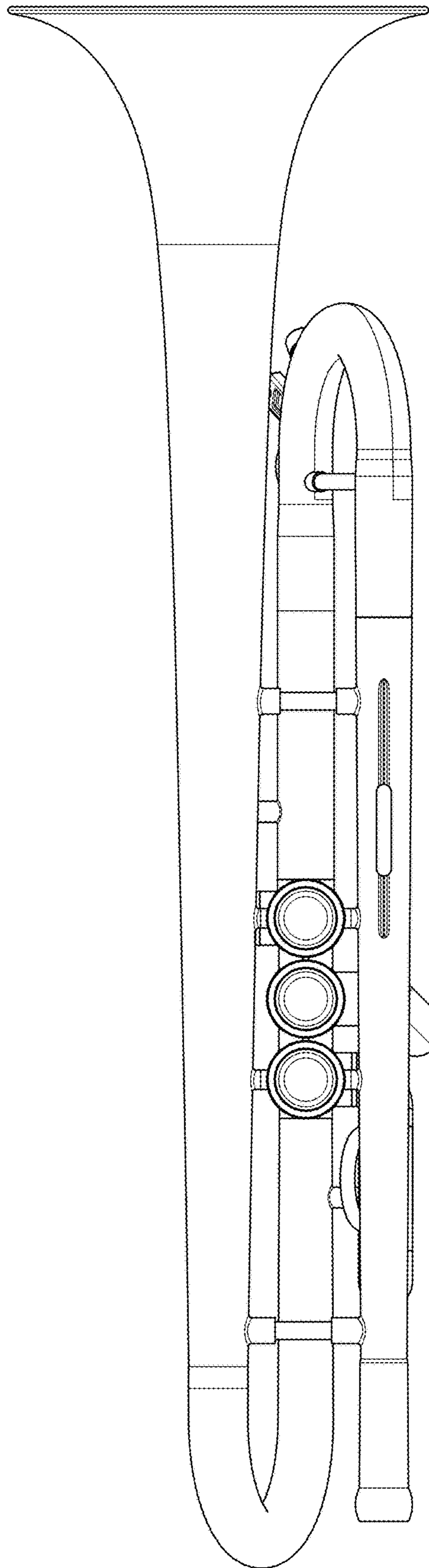


FIG. 6