

US00D846630S

(12) **United States Design Patent**
Kliot et al.

(10) **Patent No.:** **US D846,630 S**
(45) **Date of Patent:** **** Apr. 23, 2019**

- (54) **EYEWEAR STRAP CONNECTOR PIECE**
- (71) Applicant: **Visual Impact Films Corp.**, Hartsdale, NY (US)
- (72) Inventors: **Eugene Kliot**, Briarcliff Manor, NY (US); **Scott Larsen**, Newtown, CT (US)
- (73) Assignee: **VISUAL IMPACT FILMS CORP.**, Hartsdale, NY (US)

4,976,531 A * 12/1990 Kahaney G02C 3/003
351/156
D320,402 S * 10/1991 Jannard D16/335
5,367,347 A * 11/1994 Wilson G02C 3/003
24/3.3
D362,261 S * 9/1995 Bernzweig D16/339
D377,999 S * 2/1997 Grice D16/306
D384,968 S * 10/1997 Scroy D16/330
(Continued)

- (**) Term: **15 Years**
- (21) Appl. No.: **29/629,467**
- (22) Filed: **Dec. 13, 2017**

- (51) **LOC (11) Cl.** **16-06**
- (52) **U.S. Cl.**
USPC **D16/339**
- (58) **Field of Classification Search**

USPC D16/101, 300-342; D14/372;
D29/109-110; 351/41, 42, 44, 45-46,
351/48-49, 59, 61, 63, 66, 67, 69, 71, 72,
351/76, 77, 78, 83, 87, 88, 93, 94,
351/99-104, 110-113, 124-126, 130-132,
351/136-137, 140-153; 2/13, 15,
2/426-432, 447-449, 441, 434-437
CPC . G02C 5/16; G02C 5/14; G02C 5/146; G02C
5/2254; G02C 5/008; G02C 2200/08;
G02C 1/06; G02C 11/02; G02C 11/04;
G02C 2200/22; G02C 7/02; G02C 5/143;
G02C 5/2272; G02C 5/12; G02C 5/02;
G02C 1/02; G02C 5/22; G02C 5/2209;
G02C 9/00; A61M 2021/0044; A63B
33/002; A42B 1/247; A42B 1/248
See application file for complete search history.

(56) **References Cited**

U.S. PATENT DOCUMENTS

4,696,556 A * 9/1987 Perry, III G02C 11/00
351/123
D298,542 S * 11/1988 Carlson D16/339

OTHER PUBLICATIONS

Sunglass strap, reviewed Feb. 2016, [online], [site visited Dec. 15, 2018]. Available from Internet, <URL: <https://global.rakuten.com/en/store/dekorin/item/adjustable-orbiter/>> (Year: 2016).*

(Continued)

Primary Examiner — Michelle E. Wilson
Assistant Examiner — Sanjeev Paul
(74) *Attorney, Agent, or Firm* — Donald J. Ranft; Collen

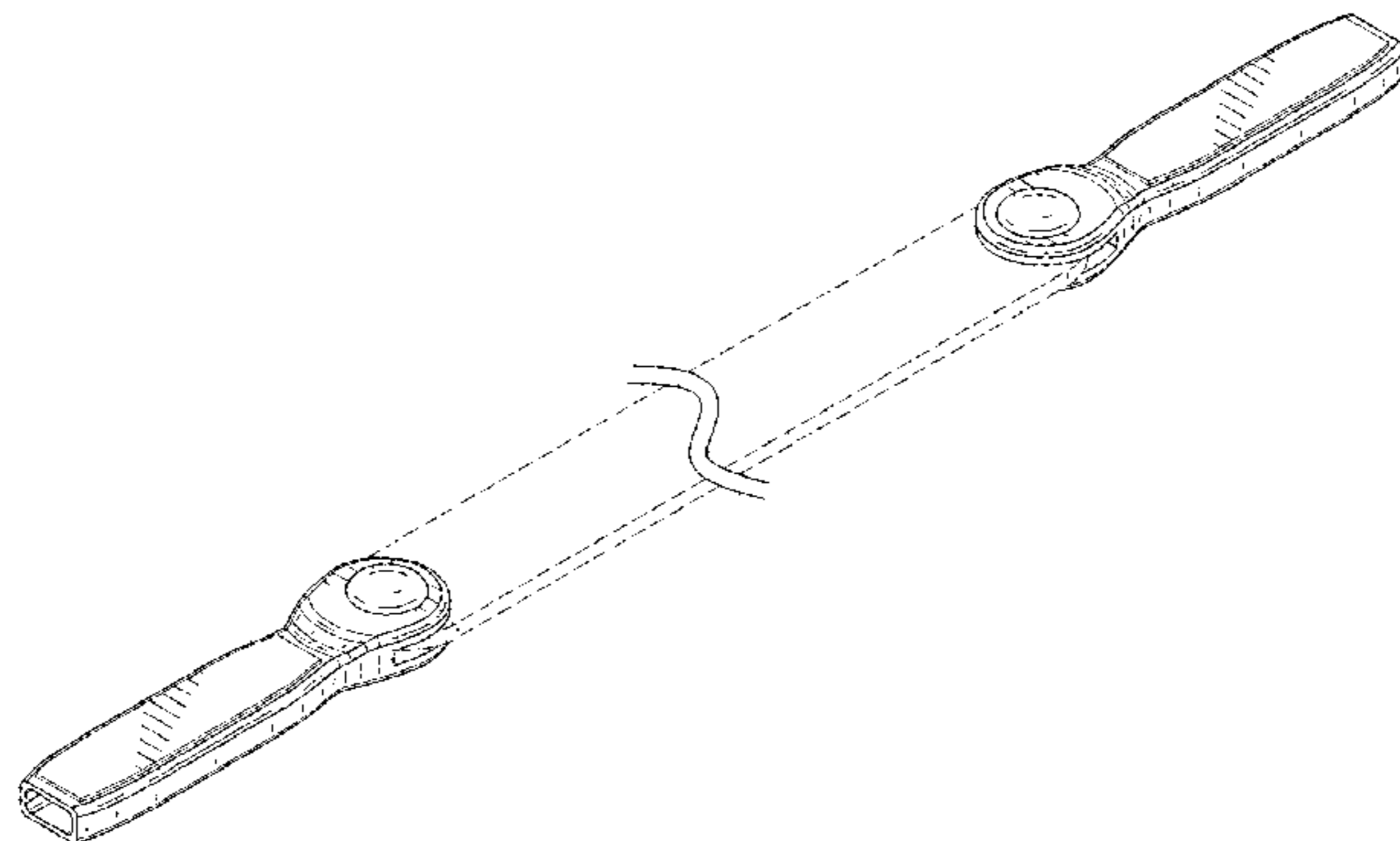
(57) **CLAIM**

The ornamental design for an eyewear strap connector piece, as shown and described.

DESCRIPTION

FIG. 1 is a front left perspective view of an eyewear strap connector piece showing our new design;
FIG. 2 is a rear right perspective view thereof;
FIG. 3 is a top view thereof;
FIG. 4 is a bottom view thereof;
FIG. 5 is a left/right side view thereof; and,
FIG. 6 is a front/back view thereof.
The portions of the eyewear strap connector piece shown in broken lines form no part of the claimed design.
The eyewear strap connector piece is shown with a symbolic break in its length. The appearance of any portion of the article between break lines forms no part of the claimed design.

1 Claim, 4 Drawing Sheets



(56)

References Cited

U.S. PATENT DOCUMENTS

D389,853 S * 1/1998 Kosakowski D16/330
 D411,562 S * 6/1999 Riley D16/339
 6,000,795 A * 12/1999 Van Ryssselberghe
 G02C 3/003
 351/123
 D420,039 S * 2/2000 Carey D16/339
 D477,835 S * 7/2003 Liu D16/339
 6,644,808 B1 * 11/2003 Liu G02C 3/003
 351/156
 6,764,177 B1 * 7/2004 Chisolm G02C 3/003
 351/156
 D513,519 S * 1/2006 Chisolm D16/339
 D536,364 S * 2/2007 Kalbach D16/339
 7,407,282 B1 * 8/2008 Chen G02C 3/003
 351/118
 D626,169 S * 10/2010 Spangler D16/339
 D656,314 S * 3/2012 Marshall D3/269
 D669,115 S * 10/2012 Kalbach D16/339
 D767,665 S * 9/2016 McSwain D16/339
 D781,370 S * 3/2017 Lando D16/339
 D823,933 S * 7/2018 Wiegierinck D16/338
 2004/0001179 A1 * 1/2004 Kalbach G02C 3/003
 351/157
 2005/0036103 A1 * 2/2005 Bloch G02C 3/003
 351/116
 2007/0081324 A1 * 4/2007 Schrimmer G02C 11/02
 362/103

2008/0309869 A1 * 12/2008 Chen G02C 3/003
 351/155
 2010/0071118 A1 * 3/2010 Tobey A63B 33/002
 2/452
 2010/0272304 A1 * 10/2010 Thiel G02C 3/003
 381/375
 2012/0148331 A1 * 6/2012 Seymour B43K 21/006
 401/92
 2012/0154738 A1 * 6/2012 Razin G02C 3/003
 351/62
 2012/0307199 A1 * 12/2012 Krisik G02C 3/003
 351/157
 2016/0018670 A1 * 1/2016 Lando G02C 5/006
 351/63
 2016/0025996 A1 * 1/2016 Bacon G02C 3/04
 24/3.3
 2016/0033787 A1 * 2/2016 Relampagos G02C 3/003
 351/155

OTHER PUBLICATIONS

Croakies Terra System rope retainer,earliest revie Mar. 27, 2017, [online], [site visited Dec. 15, 2018]. Available from Internet, <URL: https://www.amazon.com/Koala-Lifestyle-Croakies-Retainer-Adjustable/dp/B01N9VN0GO/ref=sr_1_17?ie=UTF8&qid=1544936840&sr=8-17&keywords=Sunglass%2BStrap&th=1> (Year: 2017).*

* cited by examiner

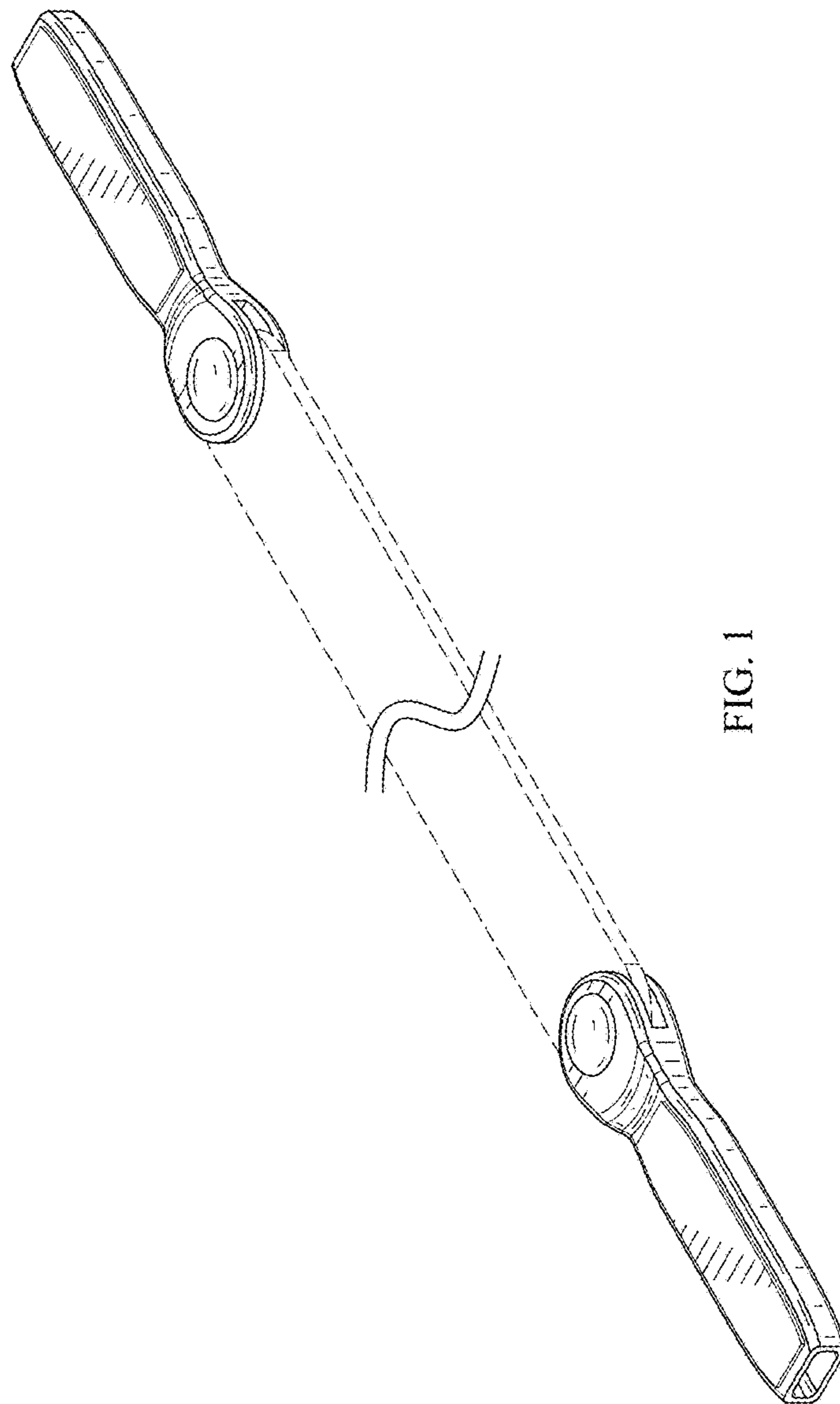


FIG. 1

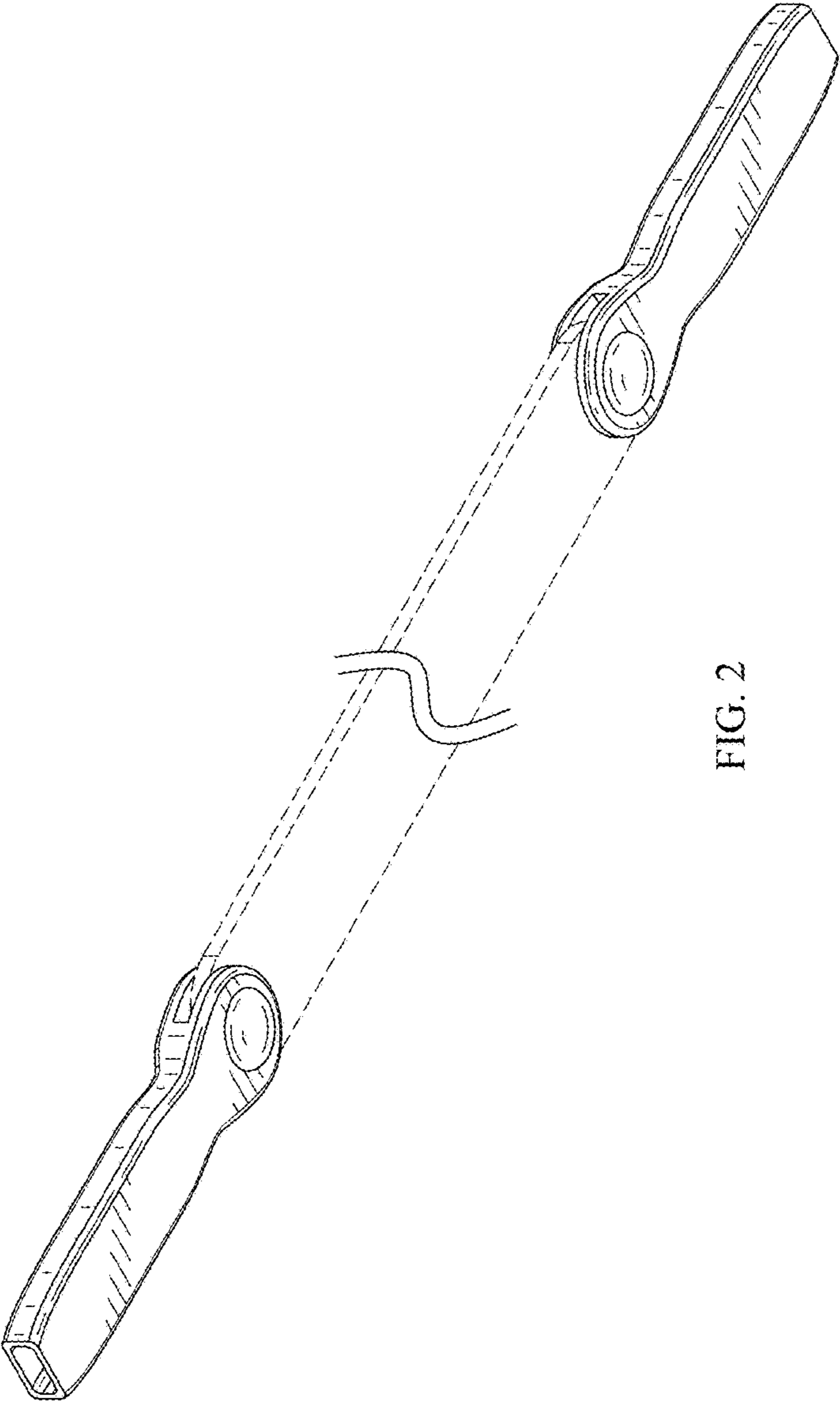


FIG. 2

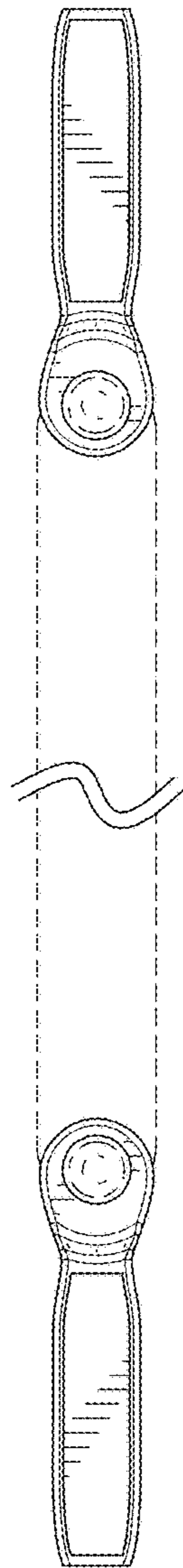


FIG. 3

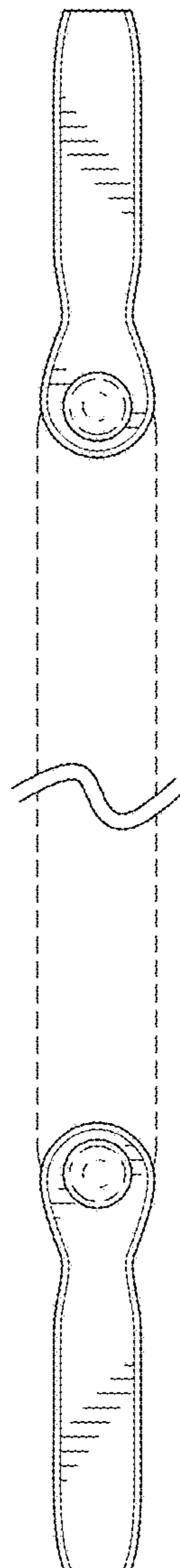


FIG. 4

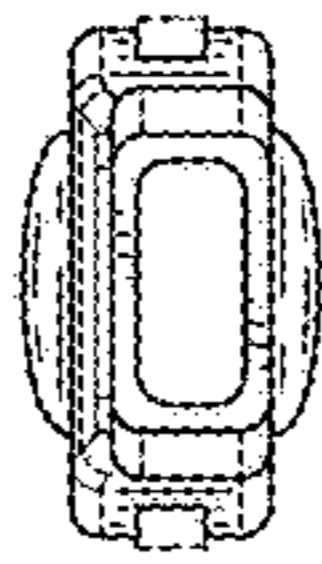


FIG. 5

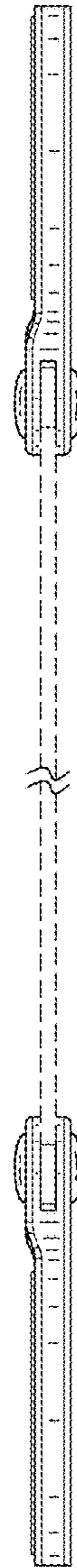


FIG. 6