



US00D846625S

(12) **United States Design Patent** (10) **Patent No.:** **US D846,625 S**  
**Au** (45) **Date of Patent:** **\*\* Apr. 23, 2019**

(54) **PROTECTIVE EYEWEAR**  
(71) Applicant: **Adam Au**, Miami Beach, FL (US)  
(72) Inventor: **Adam Au**, Miami Beach, FL (US)  
(\*\*) Term: **15 Years**  
(21) Appl. No.: **29/629,037**  
(22) Filed: **Dec. 11, 2017**  
(51) **LOC (11) Cl.** ..... **16-06**  
(52) **U.S. Cl.**  
USPC ..... **D16/311**  
(58) **Field of Classification Search**  
USPC ..... D16/101, 300-342, 900; D29/109-110;  
D21/483, 659-661; D14/372; 351/41,  
351/44, 45-48, 51-52, 62, 158, 92,  
351/103-123, 140-153, 63, 59; 2/13, 15,  
2/426-432, 447-449, 441, 434-437  
CPC ..... G02C 2200/08; G02C 1/06; G02C 5/14;  
G02C 11/02; G02C 11/04; G02C 5/16;  
G02C 2200/22; G02C 5/146; G02C  
5/2254; G02C 5/008; G01C 5/16; A61M  
2021/0044; A63B 33/002  
See application file for complete search history.

D601,611 S \* 10/2009 Chiang ..... D16/303  
D613,785 S \* 4/2010 Chiang ..... D16/303  
D613,786 S \* 4/2010 Chiang ..... D16/303  
D613,787 S \* 4/2010 Chiang ..... D16/303  
D629,441 S \* 12/2010 Chiang ..... D16/303  
D633,549 S \* 3/2011 Chiang ..... D16/303  
D646,709 S \* 10/2011 Mitchell ..... D16/306

(Continued)

**OTHER PUBLICATIONS**

Clear Lens Foam Padded Velcro Goggles: announced unknown, [online], [site visited Jul. 18, 2018]. Available from Internet, <URL: <http://www.jaminleather.com/Clear-Lens-Foam-Padded-Velcro-Goggles-p/sg9919ffc.htm?CartID=1>> (Year: 2018).\*

*Primary Examiner* — Michelle E. Wilson  
*Assistant Examiner* — Sanjeev Paul  
(74) *Attorney, Agent, or Firm* — Mark Terry

(57) **CLAIM**

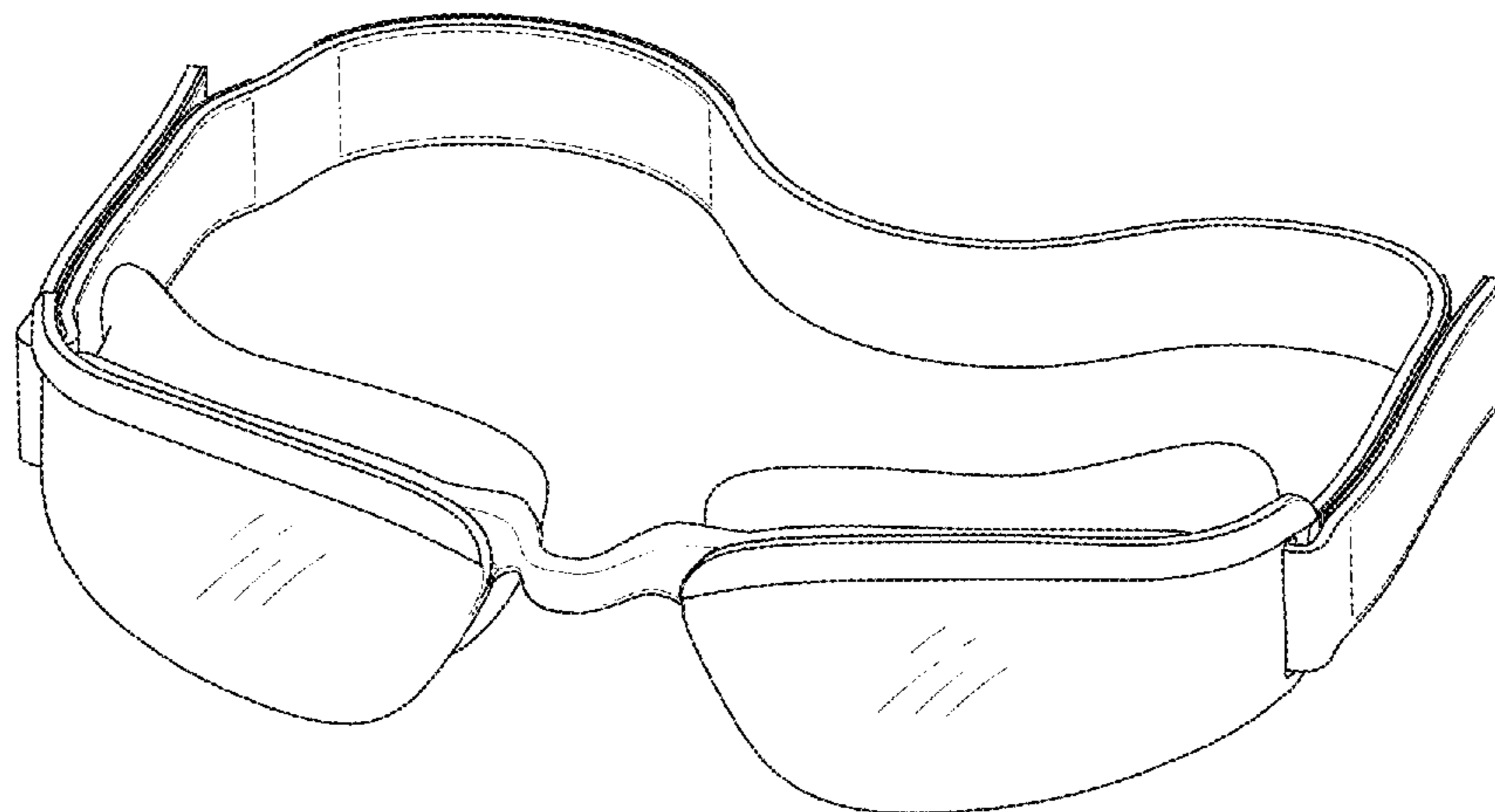
The ornamental design for protective eyewear, as shown and described.

**DESCRIPTION**

FIG. 1 is a top perspective view of protective eyewear, showing the new design;  
FIG. 2 is a bottom perspective view thereof;  
FIG. 3 is a top view thereof;  
FIG. 4 is a front view thereof;  
FIG. 5 is a rear view thereof;  
FIG. 6 is a bottom view thereof;  
FIG. 7 is a right view thereof;  
FIG. 8 is a left view thereof;  
FIG. 9 is another top perspective view thereof; and,  
FIG. 10 is another bottom perspective view thereof.  
The uniformly dashed lines shown in the drawings illustrate portions of the protective eyewear which form no part of the claimed design.

**1 Claim, 4 Drawing Sheets**

(56) **References Cited**  
U.S. PATENT DOCUMENTS  
6,721,963 B1 \* 4/2004 Kawashima ..... A63B 33/002  
2/426  
D502,491 S \* 3/2005 Chiang ..... D16/311  
D537,104 S \* 2/2007 Sheldon ..... D16/311  
D569,410 S \* 5/2008 Chiang ..... D16/303  
D574,032 S \* 7/2008 Chiang ..... D16/303  
D576,660 S \* 9/2008 Chiang ..... D16/311  
D585,472 S \* 1/2009 Chiang ..... D16/303  
D585,473 S \* 1/2009 Chiang ..... D16/311  
D589,076 S \* 3/2009 Chiang ..... D16/303  
D589,077 S \* 3/2009 Chiang ..... D16/303  
D590,002 S \* 4/2009 Chiang ..... D16/303  
D601,610 S \* 10/2009 Chiang ..... D16/303



(56)

References Cited

U.S. PATENT DOCUMENTS

8,042,937 B2 *	10/2011	Iimura	.....	G02C 5/16				
				351/111				
D648,371 S *	11/2011	Chiang	.....	D16/303				
D648,771 S *	11/2011	Rohrbach	.....	D16/325				
D649,176 S *	11/2011	Booker	.....	D16/303				
D649,579 S *	11/2011	Thixton	.....	D16/321				
D653,694 S *	2/2012	Chiang	.....	D16/303				
D653,699 S *	2/2012	Shin	.....	D16/320				
D668,286 S *	10/2012	Chiang	.....	D16/311				
D676,898 S *	2/2013	Shin	.....	D16/335				
D689,115 S *	9/2013	Kim	.....	D16/309				
D696,337 S *	12/2013	Chiang	.....	D16/303				
D711,958 S *	8/2014	Yoo	.....	D16/300				
D714,858 S *	10/2014	Thixton	.....	D16/326				
D717,858 S *	11/2014	Chiang	.....	D16/303				
D717,859 S *	11/2014	Chiang	.....	D16/303				
D717,860 S *	11/2014	Chiang	.....	D16/303				
D717,861 S *	11/2014	Chiang	.....	D16/303				
D717,862 S *	11/2014	Chiang	.....	D16/303				
D717,863 S *	11/2014	Chiang	.....	D16/303				
D717,864 S *	11/2014	Chiang	.....	D16/303				
D720,799 S *	1/2015	Thixton	.....	D16/326				
D723,611 S *	3/2015	Chiang	.....	D16/303				
D723,612 S *	3/2015	Chiang	.....	D16/303				
D727,396 S *	4/2015	Markovitz	.....	D16/300				
D728,008 S *	4/2015	Thixton	.....	D16/335				
D735,797 S *	8/2015	Aquino	.....	D16/309				
D746,367 S *	12/2015	Shin	.....	D16/326				
D754,244 S *	4/2016	Shin	.....	D16/335				
D763,944 S *	8/2016	Shin	.....	D16/326				
D763,946 S *	8/2016	Chae	.....	D16/326				
D763,949 S *	8/2016	Shin	.....	D16/335				
D769,963 S *	10/2016	Shin	.....	D16/335				
D771,739 S *	11/2016	Shin	.....	D16/326				
D772,331 S *	11/2016	Smith	.....	D16/311				
D776,750 S *	1/2017	Kavoosi	.....	D16/323				
D783,707 S *	4/2017	Uhm	.....	D16/335				
D786,336 S *	5/2017	Dandachli	.....	D16/335				
9,684,187 B2 *	6/2017	Rasier	.....	G02C 3/006				
D799,586 S *	10/2017	Thixton	.....	D16/335				
					D801,425 S *	10/2017	Uhm	..... D16/335
					D809,055 S *	1/2018	Tracy	..... D16/311
					D809,056 S *	1/2018	Flake	..... D16/330
					9,864,210 B2 *	1/2018	Wang Lee	..... G02C 5/143
					D810,815 S *	2/2018	Yoo	..... D16/335
					D812,129 S *	3/2018	Pinkney	..... D16/334
					D818,519 S *	5/2018	Thixton	..... D16/321
					9,964,779 B2 *	5/2018	Poole	..... G02C 7/10
					9,983,417 B1 *	5/2018	Huang	..... G02C 5/2209
					D820,347 S *	6/2018	Chae	..... D16/335
					2004/0210991 A1 *	10/2004	Chiang	..... A63B 33/002
								2/445
					2008/0189837 A1 *	8/2008	Chiang	..... A63B 33/002
								2/431
					2008/0263753 A1 *	10/2008	Chiang	..... A63B 33/002
								2/431
					2009/0038060 A1 *	2/2009	Chiang	..... A63B 33/002
								2/440
					2010/0077538 A1 *	4/2010	Chiang	..... A63B 33/002
								2/428
					2010/0077539 A1 *	4/2010	Chen	..... A44B 11/06
								2/452
					2013/0239306 A1 *	9/2013	Chiang	..... A63B 33/00
								2/442
					2013/0283509 A1 *	10/2013	Chiang	..... A63B 33/002
								2/442
					2015/0055079 A1 *	2/2015	Holzer	..... G02C 5/001
								351/86
					2015/0346518 A1 *	12/2015	Levy	..... G02C 11/02
								351/52
					2016/0016047 A1 *	1/2016	Chiang	..... A63B 33/002
								2/440
					2016/0266401 A1 *	9/2016	Wong	..... G02C 1/08
					2017/0176770 A1 *	6/2017	Wang Lee	..... G02C 5/16
					2017/0197117 A1 *	7/2017	Shiue	..... A63B 33/002
					2017/0203159 A1 *	7/2017	Schuwerk	..... A63B 33/002
					2017/0205640 A1 *	7/2017	Lucero	..... G02C 11/10
					2017/0252609 A1 *	9/2017	Chiang	..... A63B 33/002
					2018/0081200 A1 *	3/2018	Giordanetti	..... G02C 1/06
					2018/0290023 A1 *	10/2018	Shau	..... A42B 3/0433
					2018/0303670 A1 *	10/2018	Bang	..... A61F 9/026

\* cited by examiner

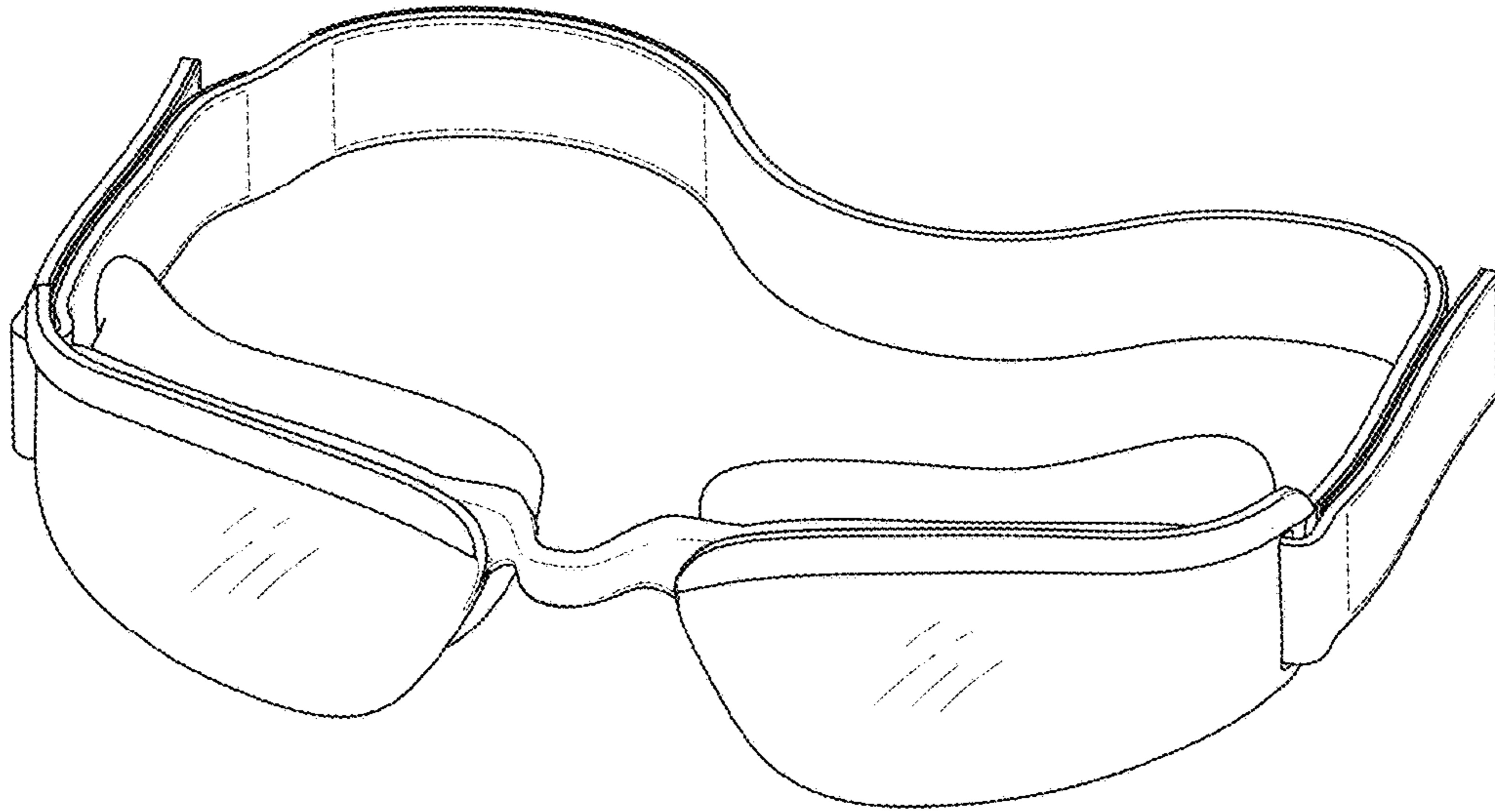


Fig. 1

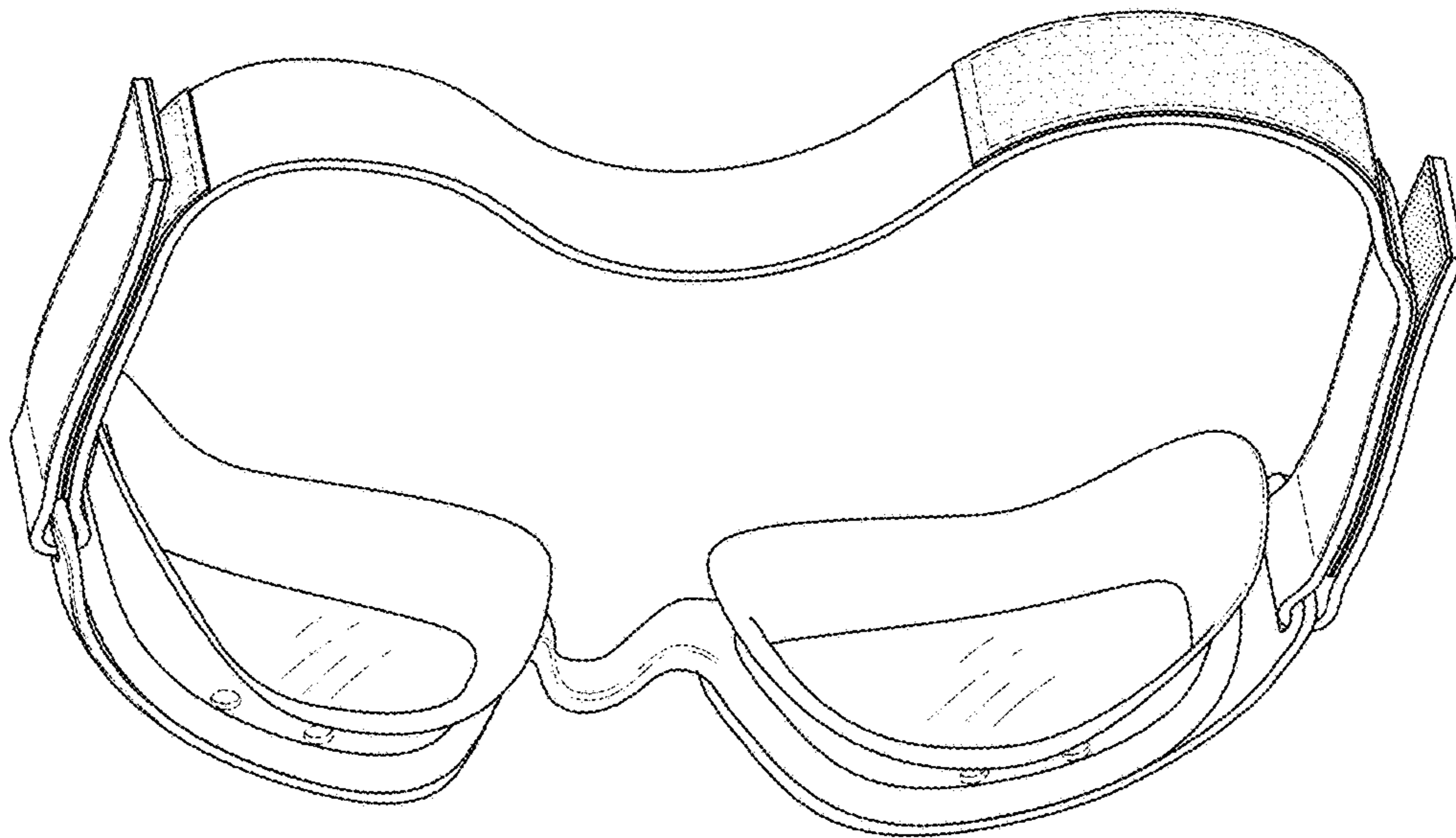


Fig. 2

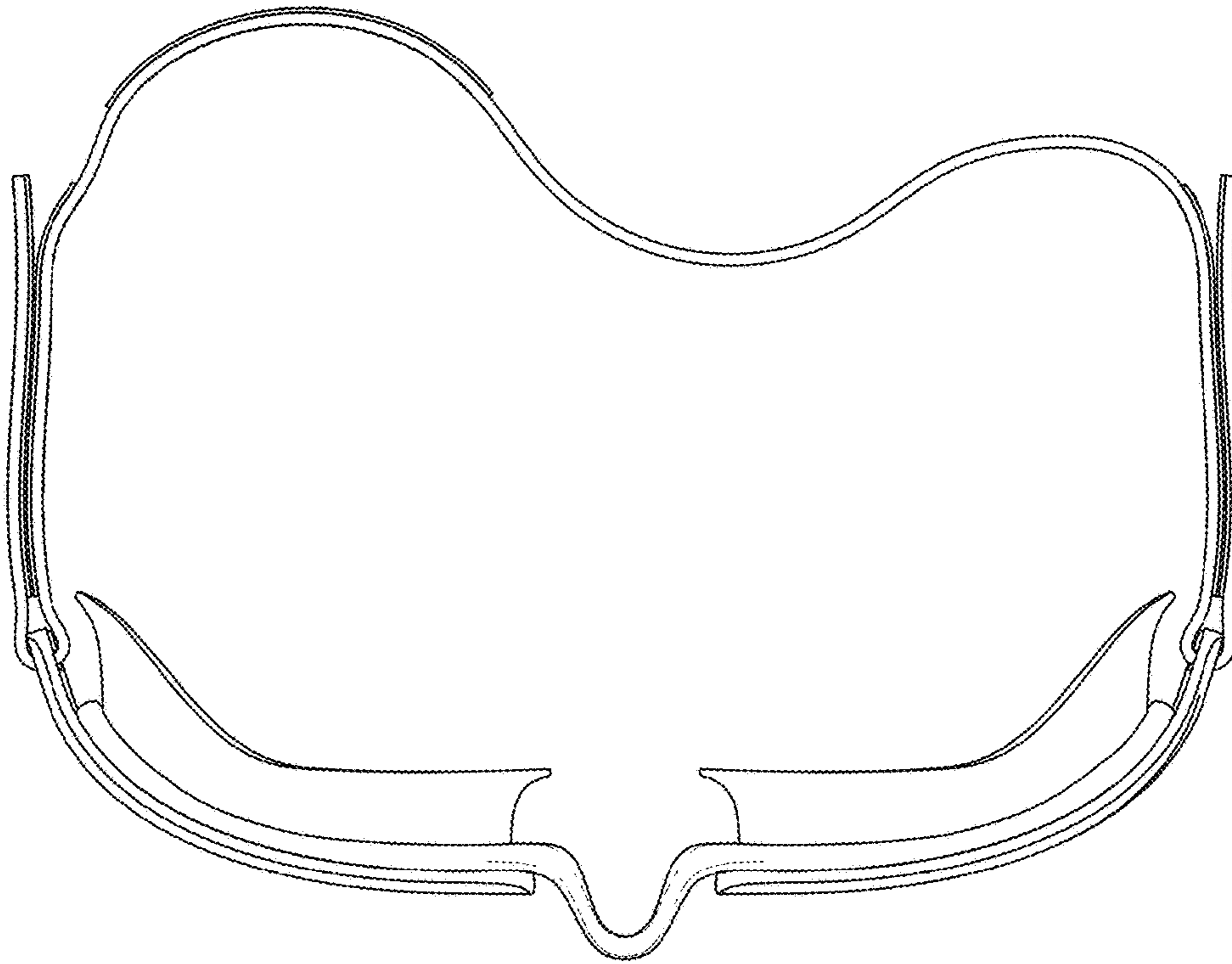


Fig. 3

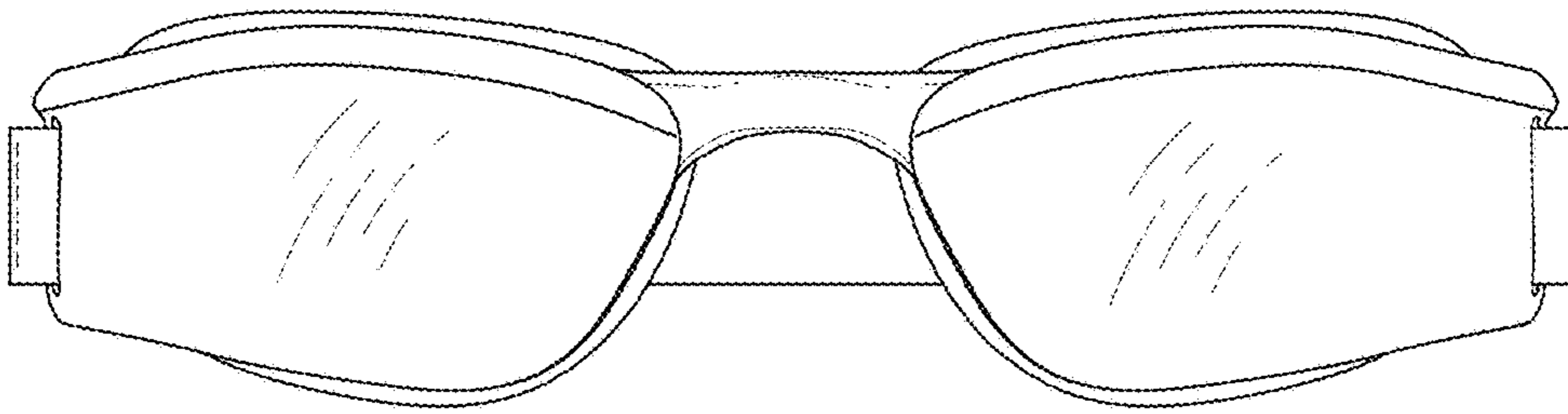


Fig. 4

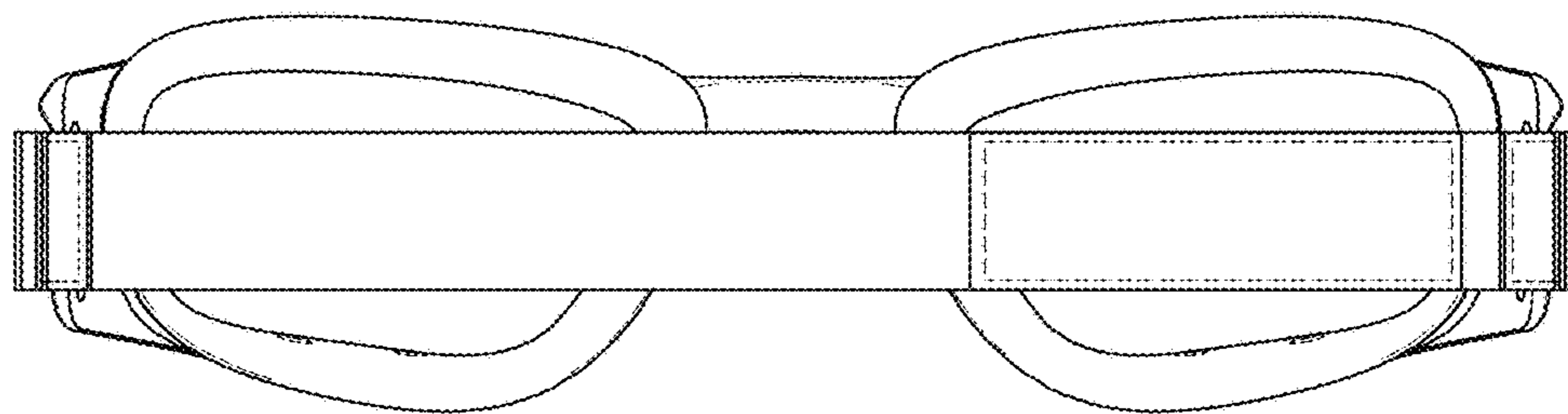
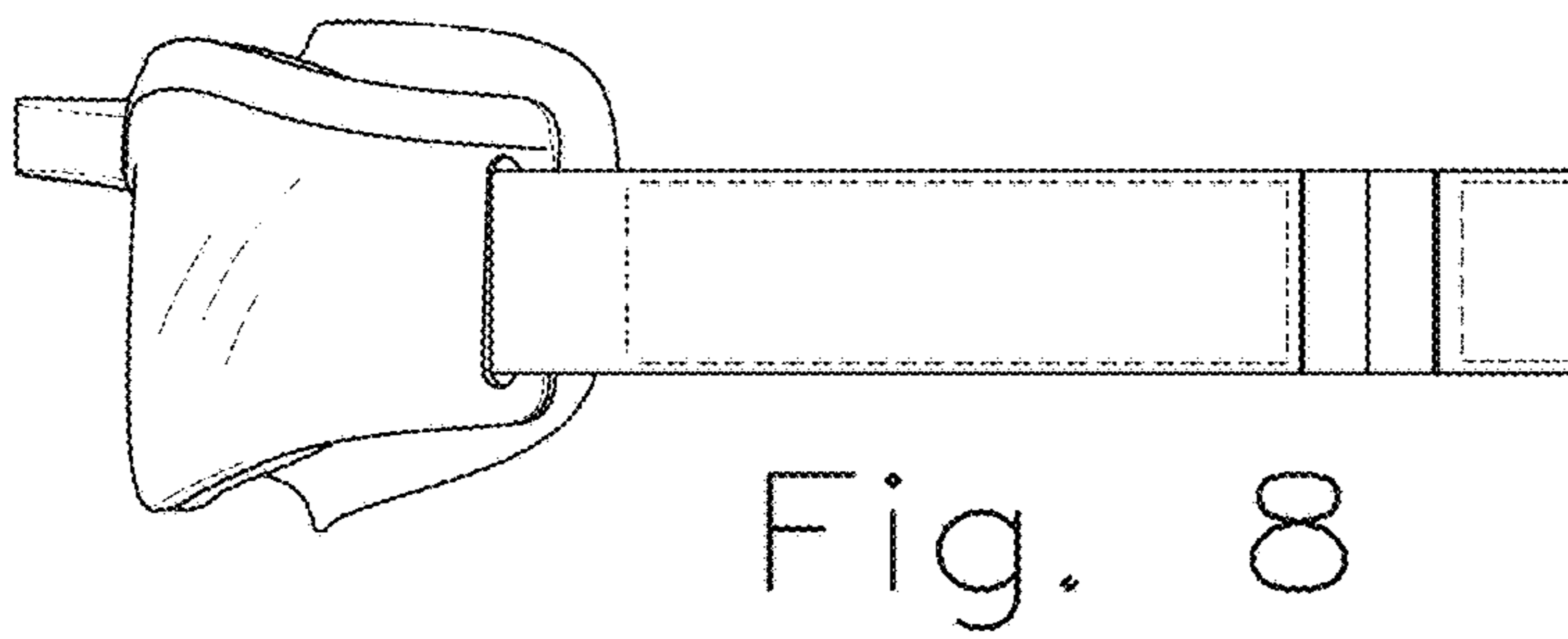
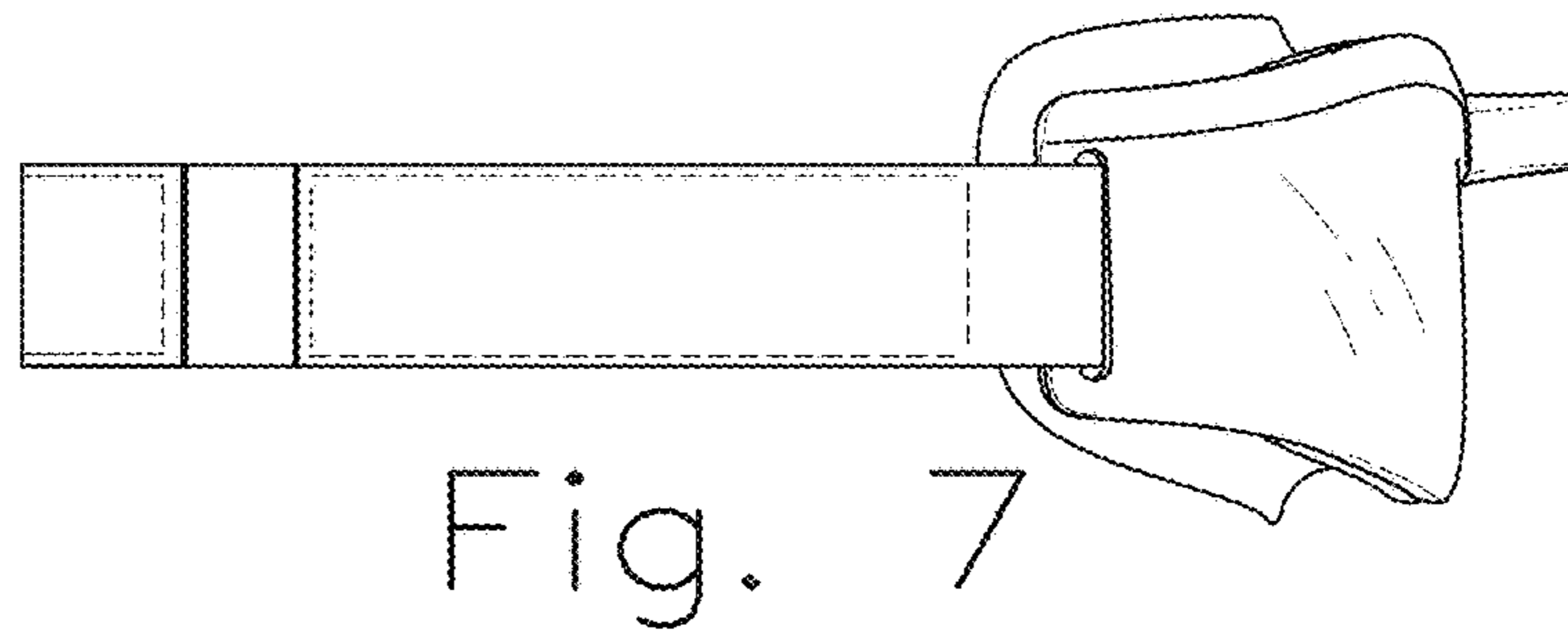
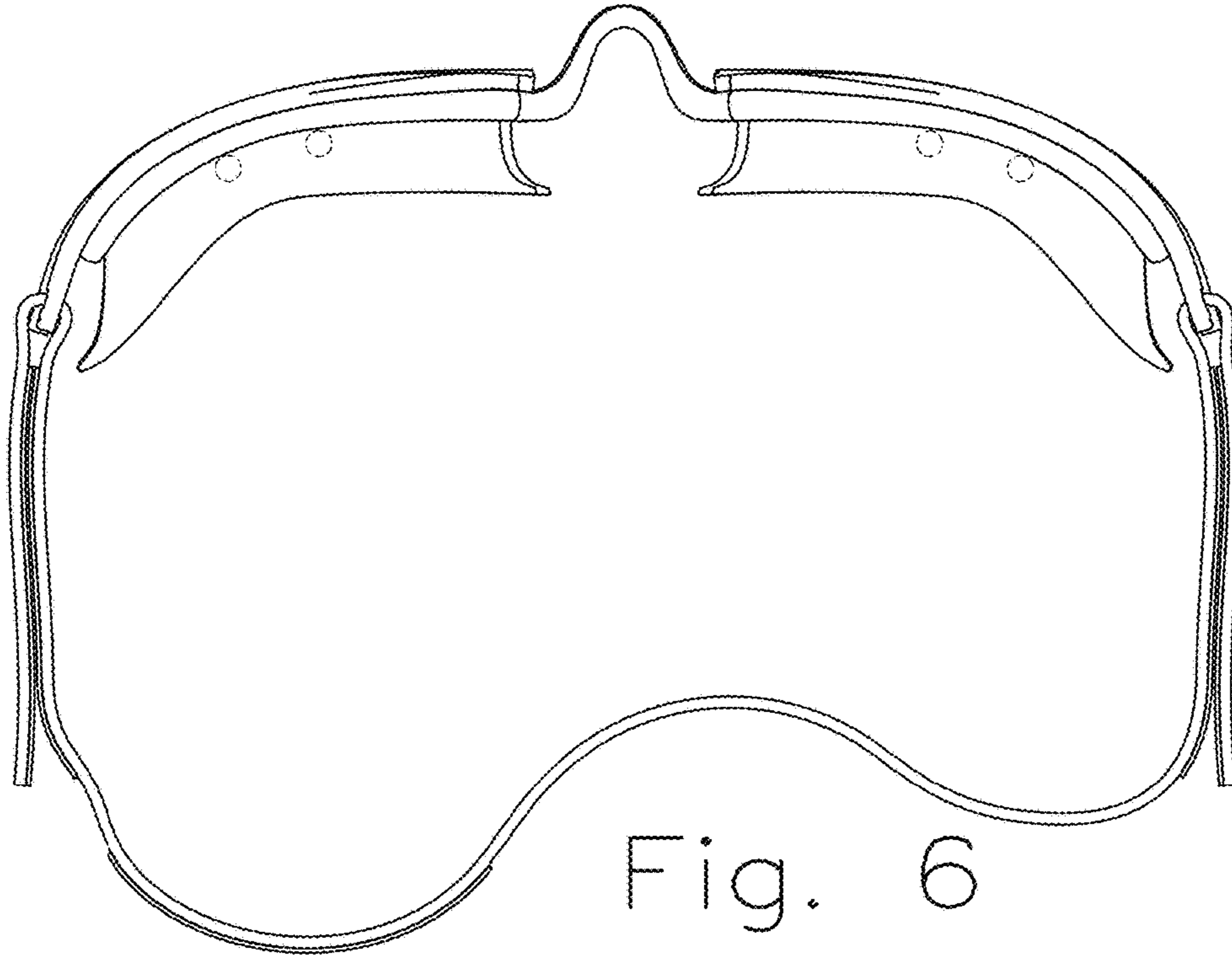


Fig. 5



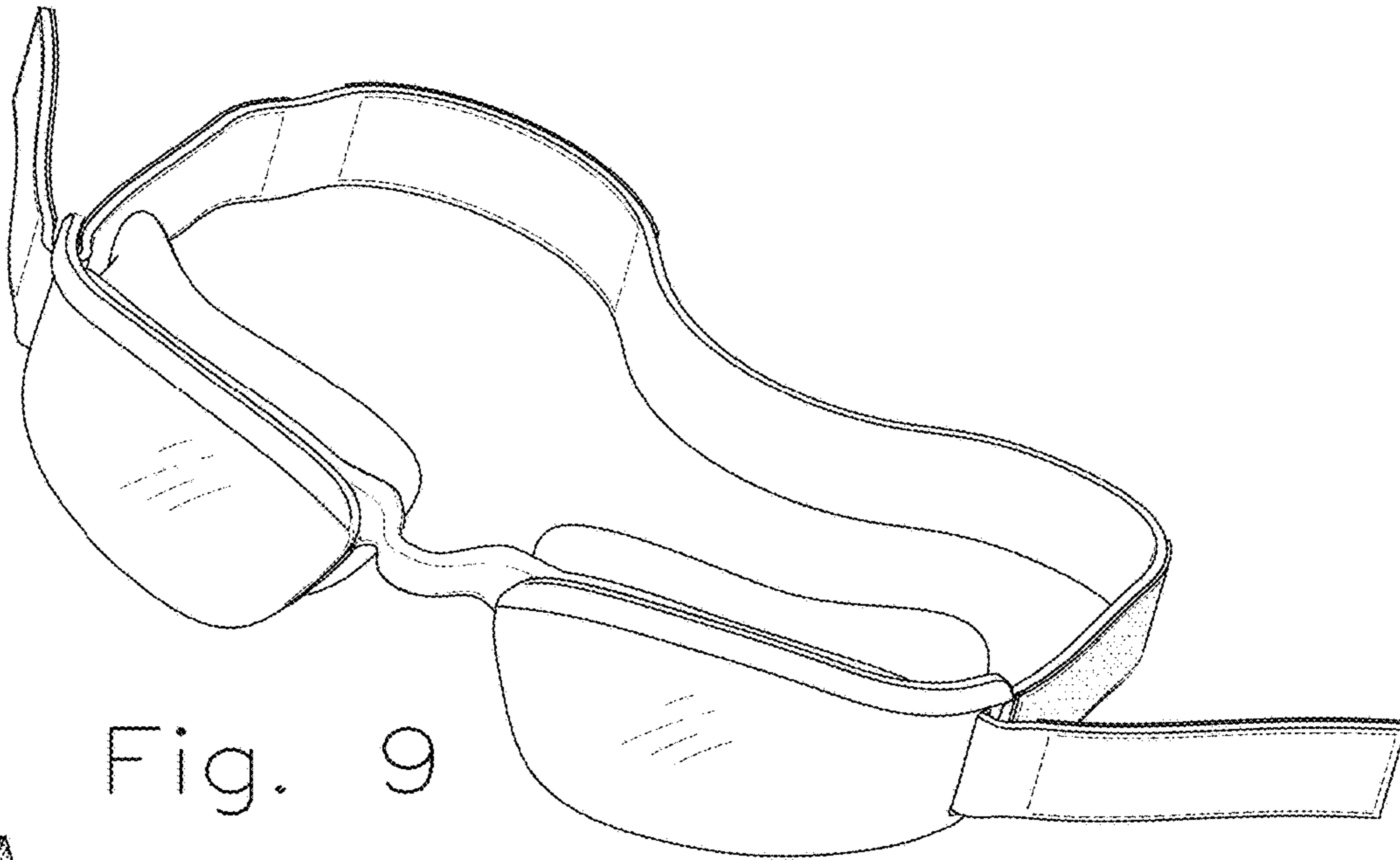


Fig. 9

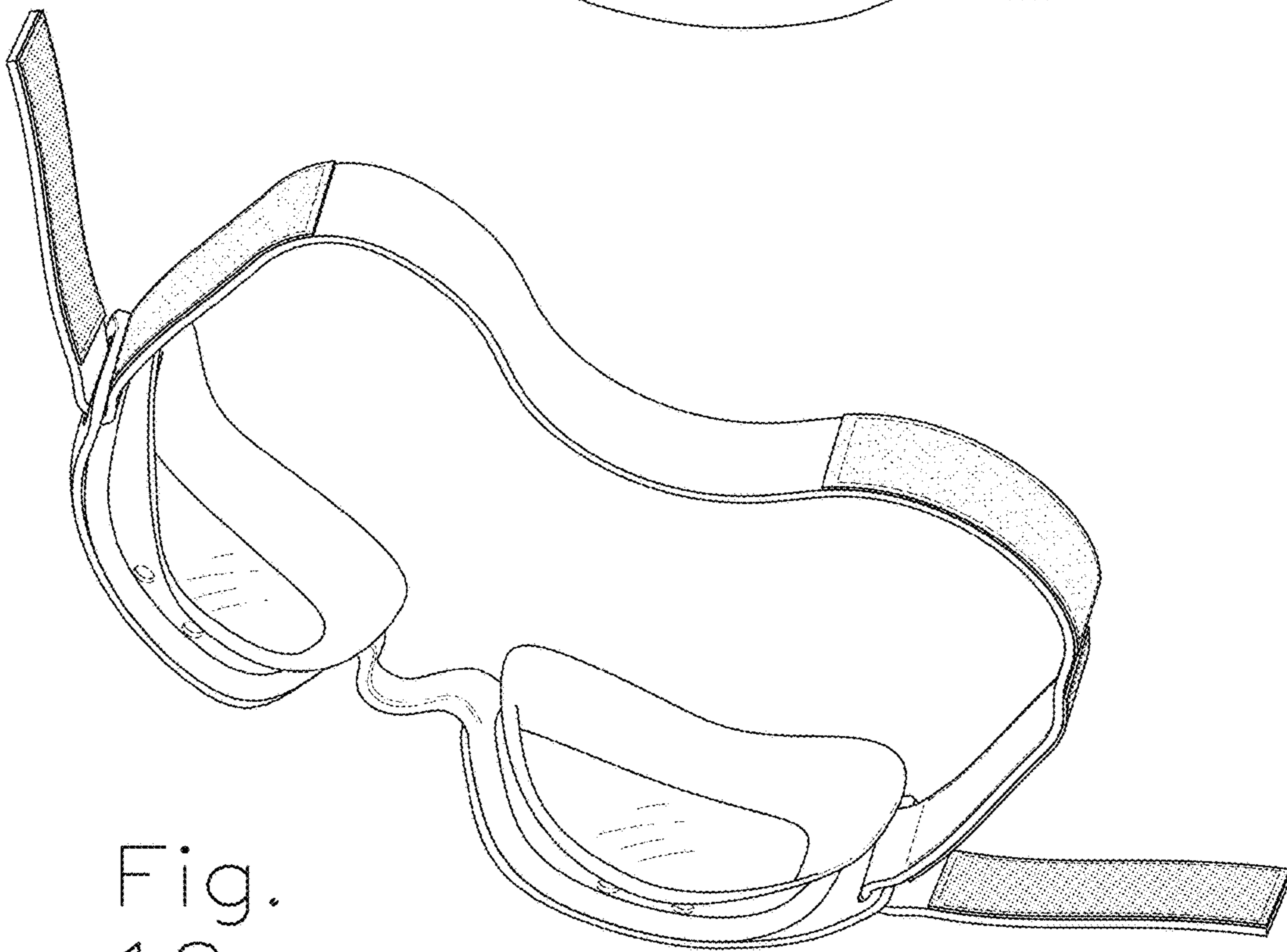


Fig.  
10