

US00D846624S

(12) **United States Design Patent**
Balmer

(10) **Patent No.:** **US D846,624 S**

(45) **Date of Patent:** **** Apr. 23, 2019**

(54) **MOUNTING RING**

(71) Applicant: **Daymen US, Inc.**, Petaluma, CA (US)

(72) Inventor: **Noah Balmer**, Santa Rosa, CA (US)

(73) Assignee: **Vitec Holdings Italia SRL**, Cassola (IT)

(**) Term: **15 Years**

(21) Appl. No.: **29/611,401**

(22) Filed: **Jul. 21, 2017**

(51) **LOC (11) Cl.** **16-05**

(52) **U.S. Cl.**
USPC **D16/245**

(58) **Field of Classification Search**
USPC D16/219, 237-250; D14/224, 229, 238, D14/251, 253, 447, 451, 457; D8/354, D8/355, 363, 373, 382, 383, 394-399
CPC .. A45F 5/00; A45F 5/10; F16M 11/06; F16M 11/07; F16M 11/08; F16M 11/09; F16M 11/10; G02B 7/00-7/002; G03B 17/56; G03B 17/561; G03B 17/563; G03B 17/565; G03B 17/566; G03B 17/568; H04N 5/2253-5/2254
See application file for complete search history.

(56) **References Cited**

U.S. PATENT DOCUMENTS

D308,067 S * 5/1990 Mednick D16/242
D560,247 S * 1/2008 Alm D16/203

D570,836 S * 6/2008 Chen D14/253
D600,673 S * 9/2009 Kim D14/205
D681,016 S * 4/2013 Ishinabe D14/224
D694,228 S * 11/2013 Richter D14/253
8,596,504 B2 * 12/2013 Haley, Sr. F41C 33/002
224/149
D712,957 S * 9/2014 Kessler D16/245
8,943,861 B2 * 2/2015 Fong E05B 67/383
70/14
D747,183 S * 1/2016 Davidson D8/397
D776,747 S * 1/2017 Lenihan D16/245
9,581,291 B2 * 2/2017 Trotsky F16M 11/041
D786,955 S * 5/2017 Taylor D16/245

* cited by examiner

Primary Examiner — Vy N Koenig

(74) *Attorney, Agent, or Firm* — Michael A. Guth

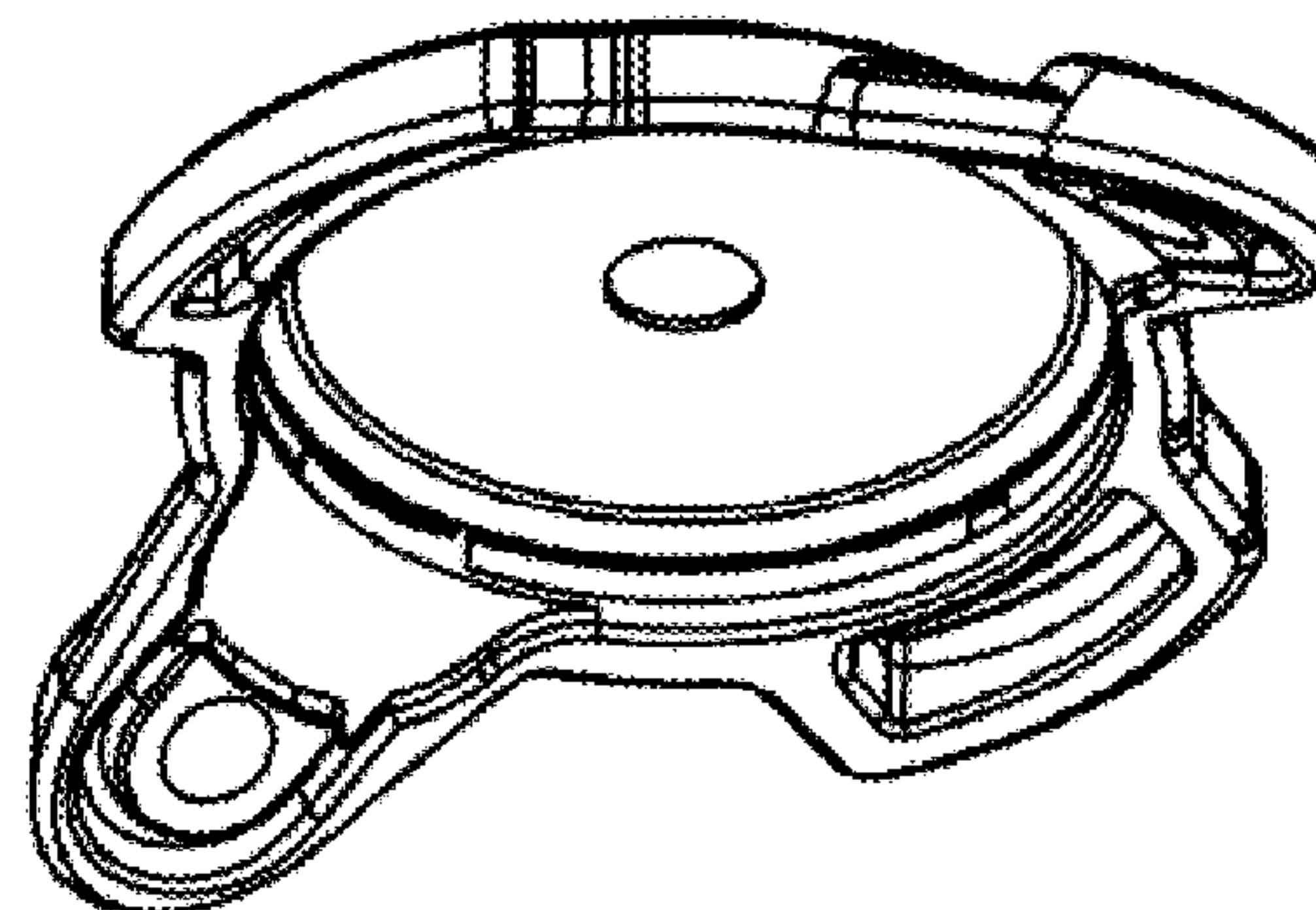
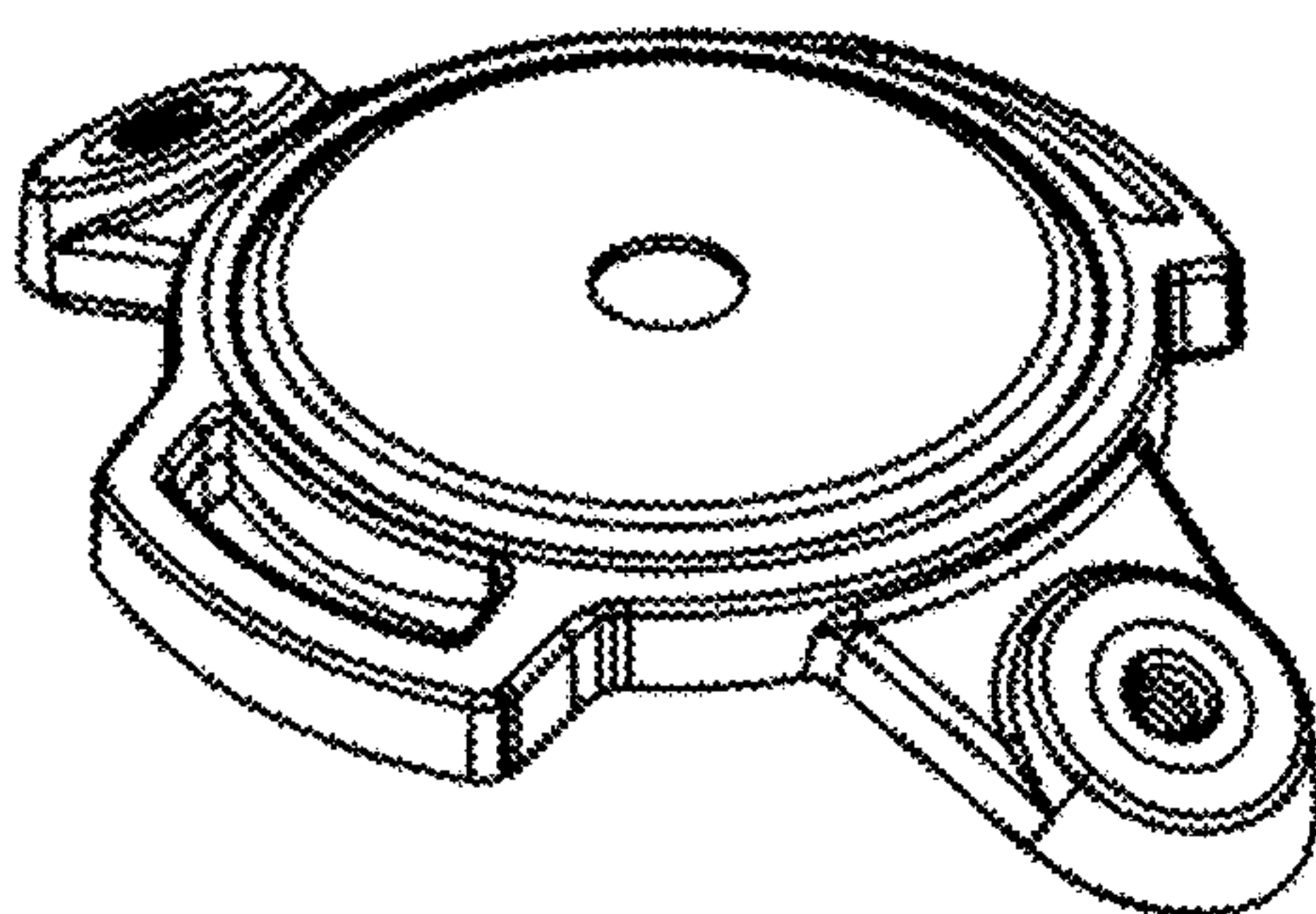
(57) **CLAIM**

The ornamental design for a mounting ring, as shown and described.

DESCRIPTION

FIG. 1 is a front view of a mounting ring.
FIG. 2 is a back view of a mounting ring.
FIG. 3 is a top view of a mounting ring.
FIG. 4 is a bottom view of a mounting ring.
FIG. 5 is a left side view of a mounting ring.
FIG. 6 is a right side view of a mounting ring.
FIG. 7 is an upper perspective view of a mounting ring; and,
FIG. 8 is a lower perspective view of a mounting ring.

1 Claim, 8 Drawing Sheets



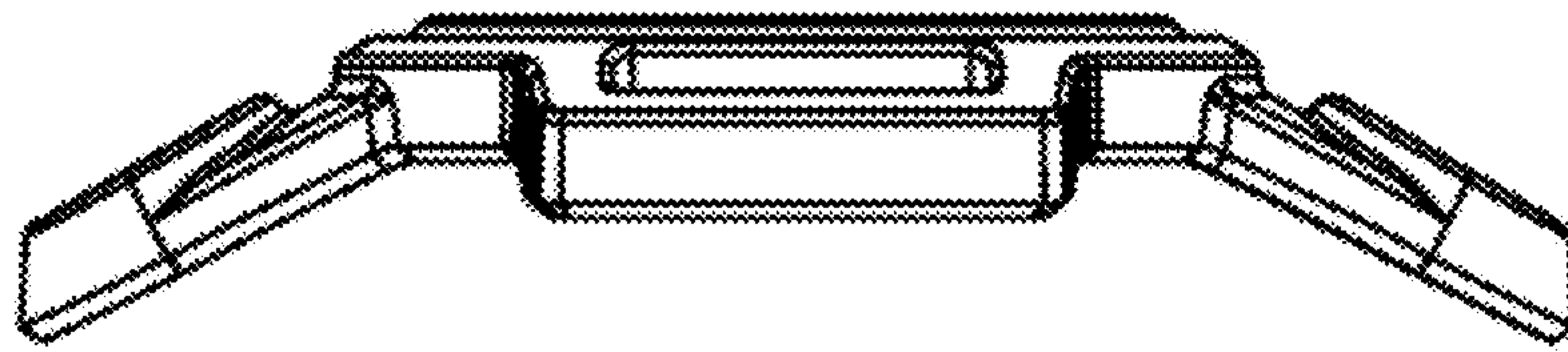


FIG. 1

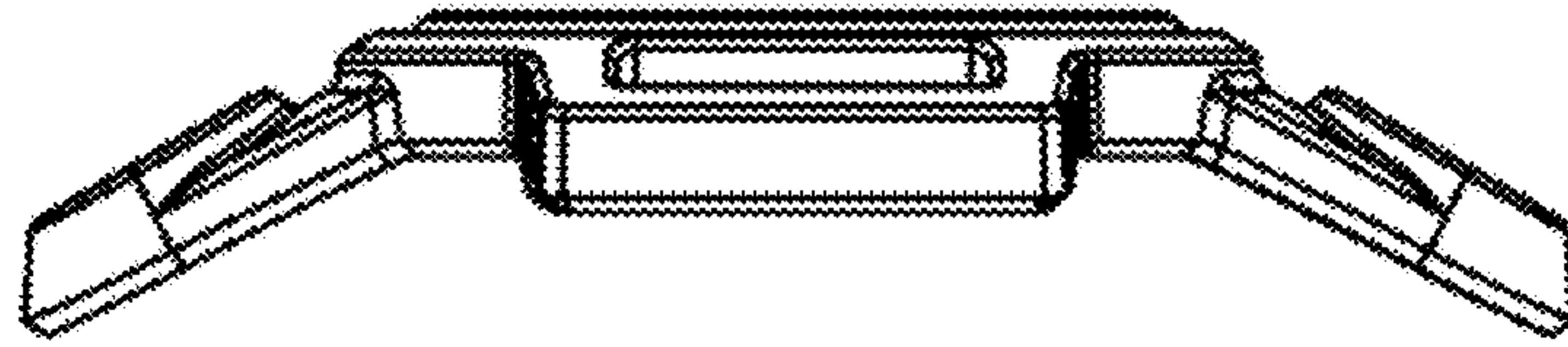


FIG. 2

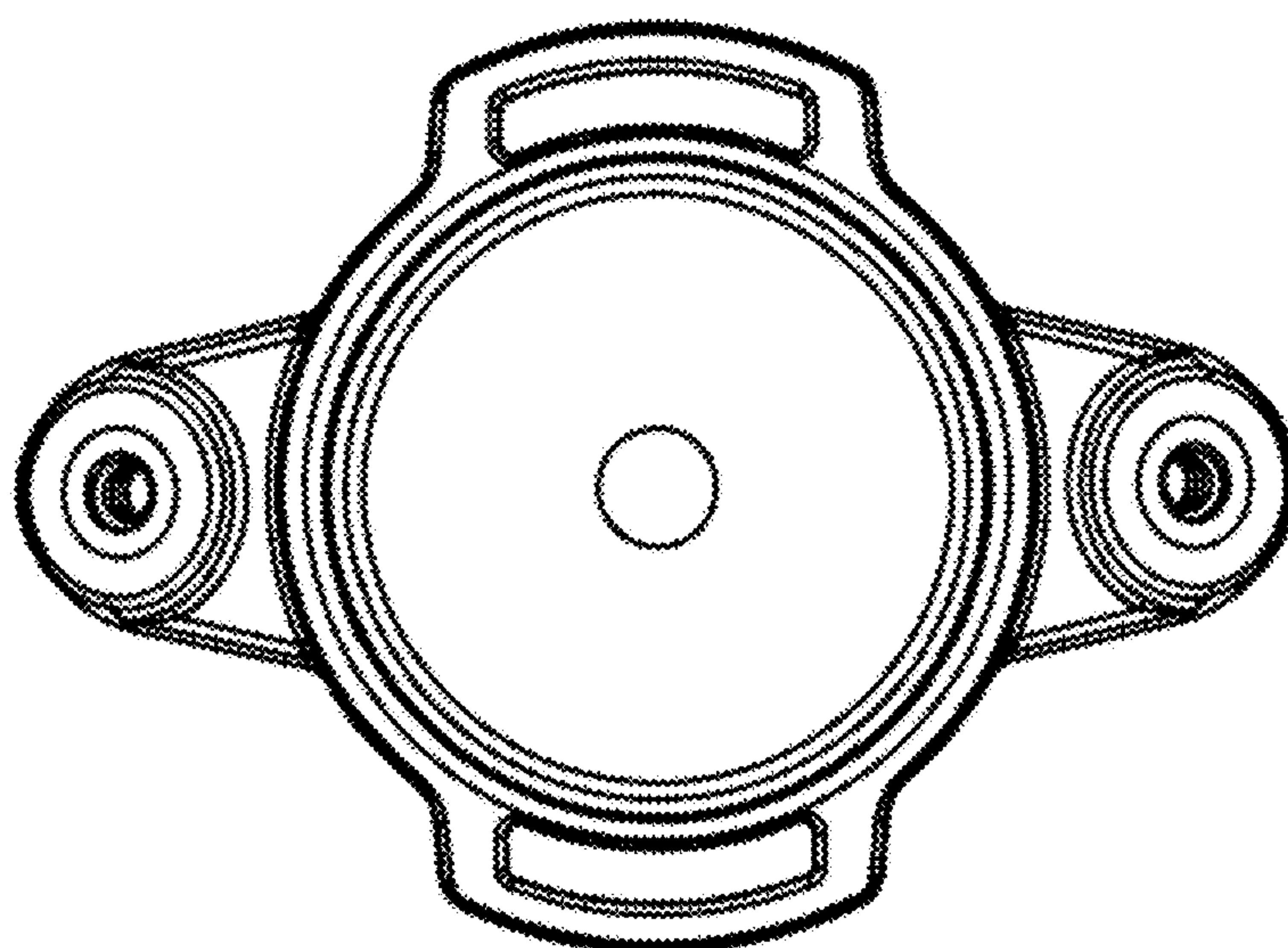


FIG. 3

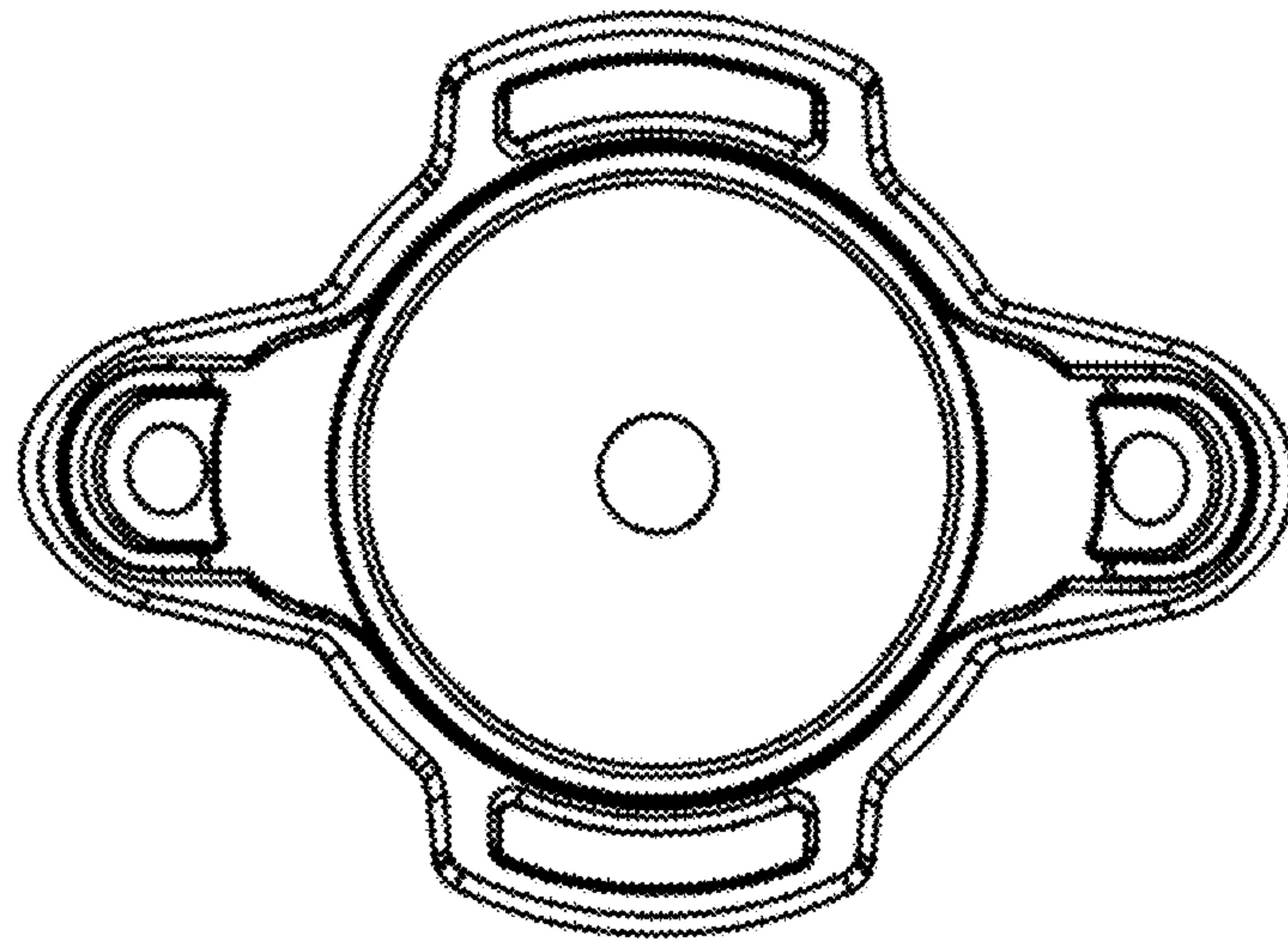


FIG. 4

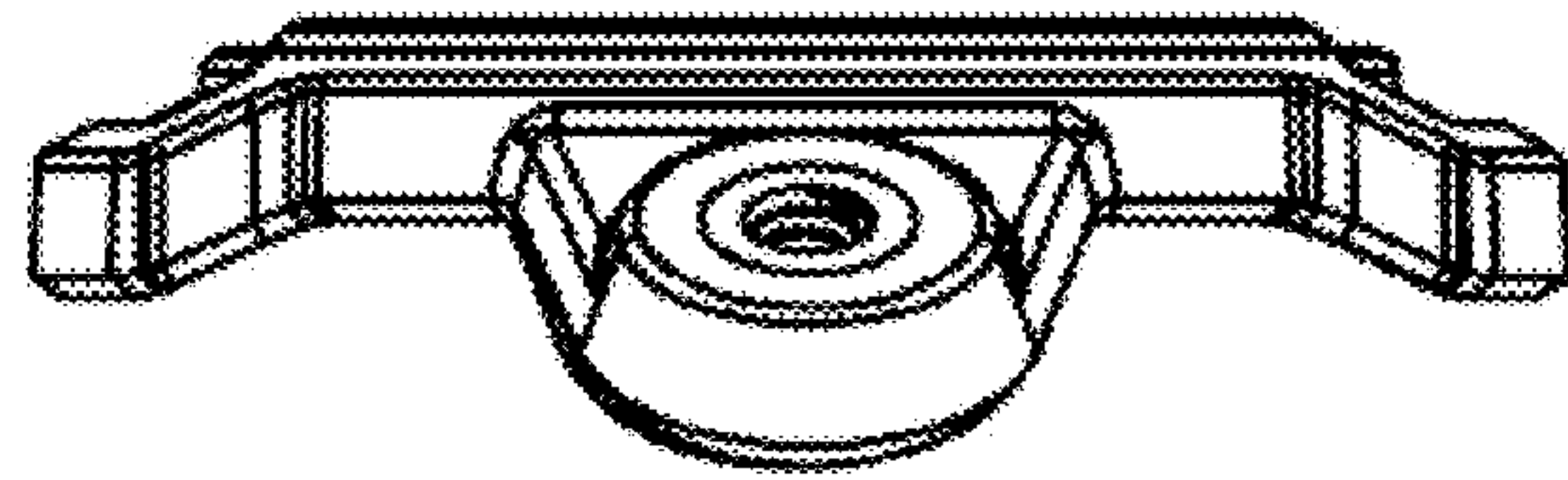


FIG. 5

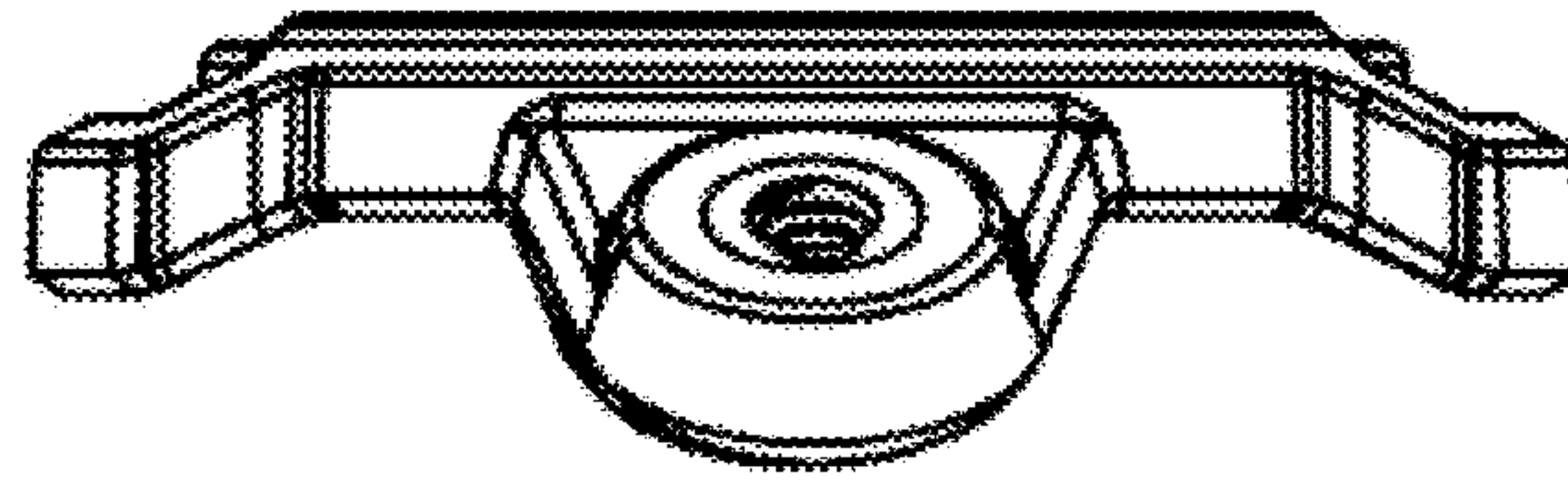


FIG. 6

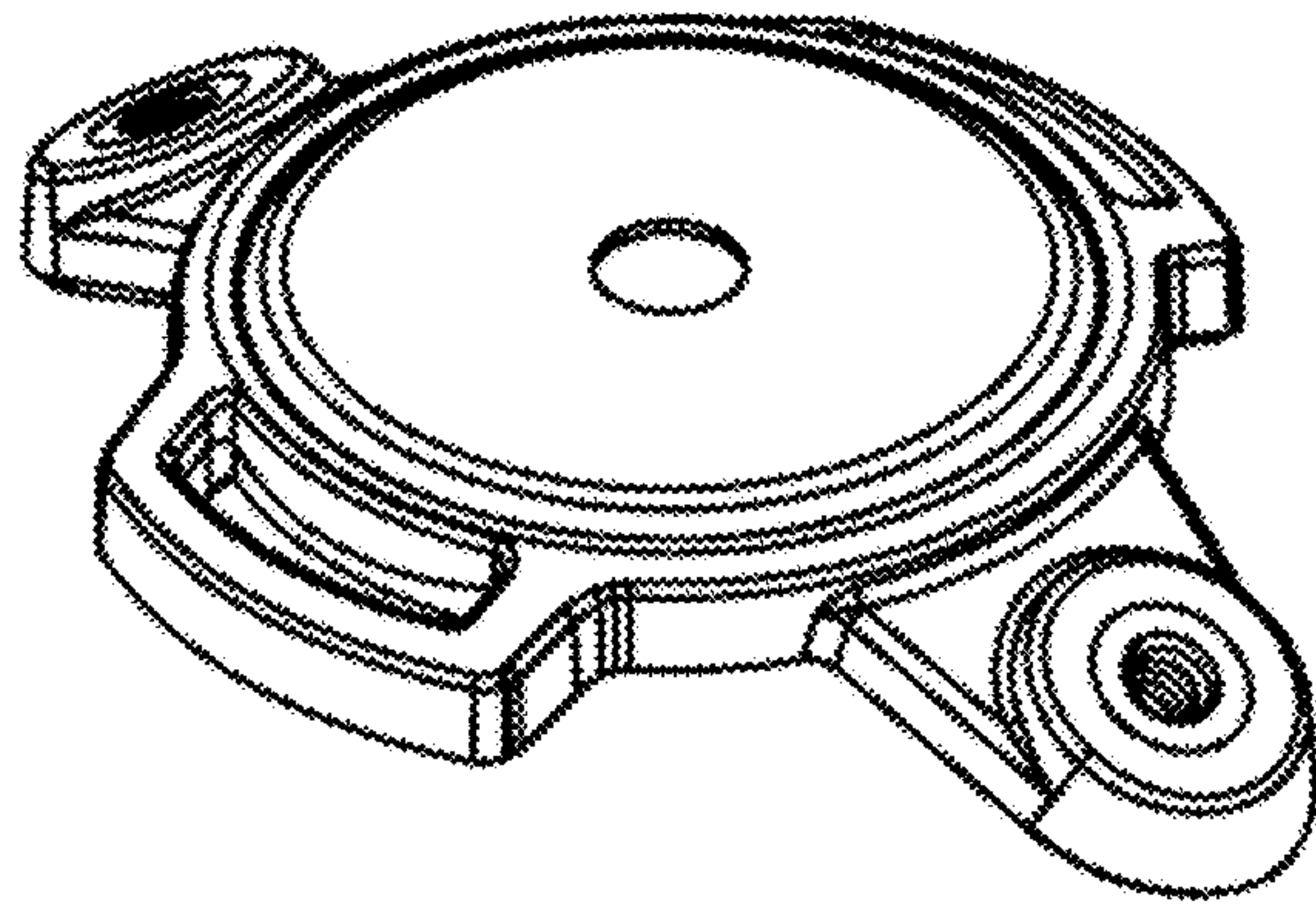


FIG. 7

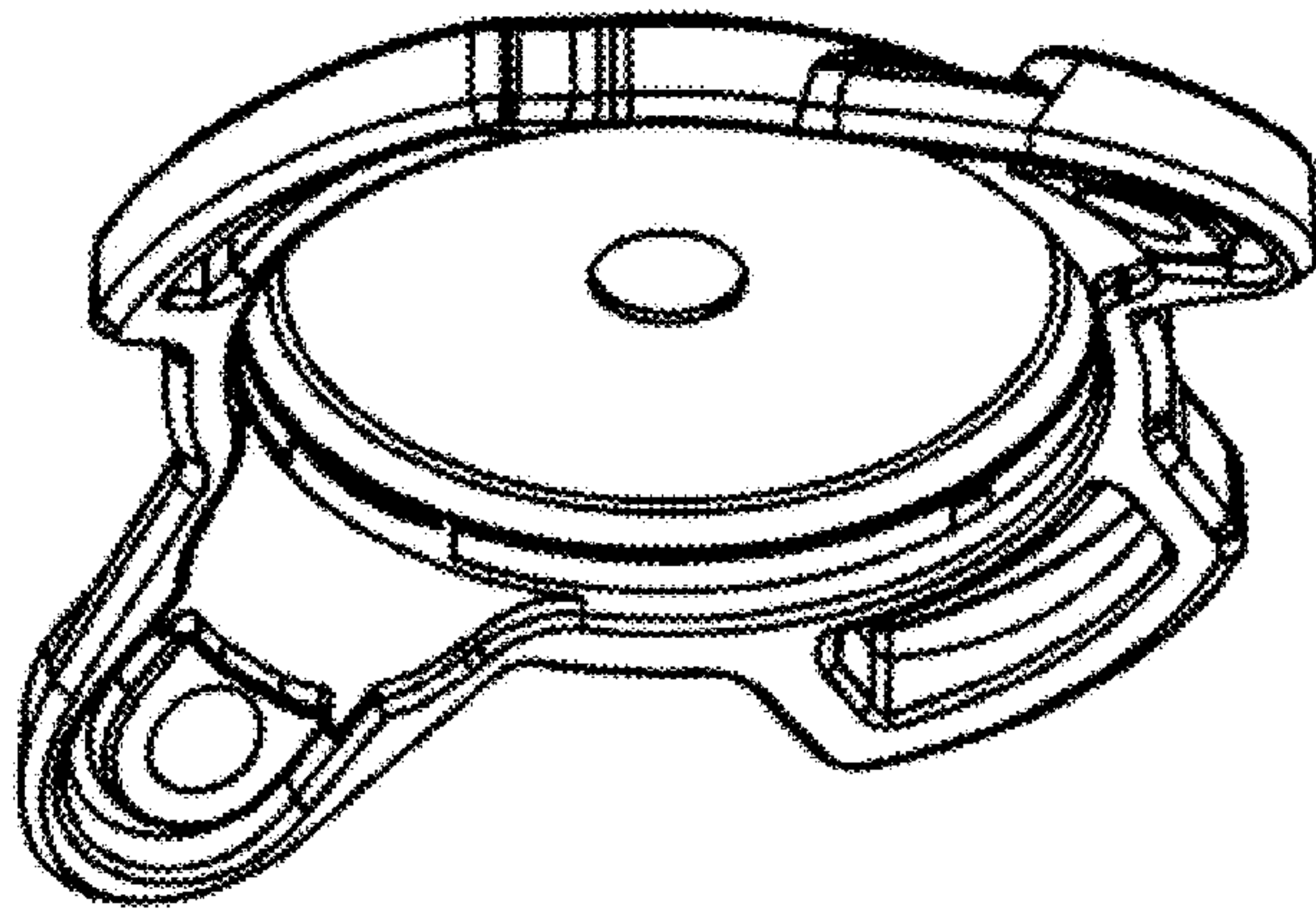


FIG. 8