

US00D846623S

(12) **United States Design Patent**
Siminoff et al.

(10) **Patent No.:** **US D846,623 S**
(45) **Date of Patent:** **** Apr. 23, 2019**

(54) **ADAPTER FOR MOUNTING ASSEMBLY FOR ELECTRONIC DEVICES**

D678,193 S * 3/2013 Siminoff D13/108
8,545,237 B2 * 10/2013 Johnson H01R 12/523
439/75
D733,655 S * 7/2015 Sato D13/133

(71) Applicant: **Ring Inc.**, Santa Monica, CA (US)

(Continued)

(72) Inventors: **James Siminoff**, Pacific Palisades, CA (US); **Mark Siminoff**, Mountain View, CA (US); **Matthew J. England**, Santa Monica, CA (US); **Spiro Sacre**, Los Angeles, CA (US); **Christopher Loew**, Palo Alto, CA (US)

OTHER PUBLICATIONS

Ring Spotlight Cam Mount HD Security Camera, amazon online, first review posted Jan. 4, 2018, <URL: https://www.amazon.com/Ring-Spotlight-Mount-Security-Camera/dp/B078SGCBXL?ref=bl_dp_s_web_11465234011>, retrieved Nov. 9, 2018.*

(73) Assignee: **Amazon Technologies, Inc.**, Seattle, WA (US)

Primary Examiner — Jeffrey D Asch
Assistant Examiner — Rebekah A Caruso

(**) Term: **15 Years**

(74) *Attorney, Agent, or Firm* — Lathrop Gage LLP

(21) Appl. No.: **29/601,061**

(57) **CLAIM**

(22) Filed: **Apr. 18, 2017**

The ornamental design for an adapter for a mounting assembly for electronic devices, as shown and described.

(51) **LOC (11) Cl.** **16-05**

(52) **U.S. Cl.**

USPC **D16/242**; D13/133

(58) **Field of Classification Search**

USPC D14/432–437, 439, 217, 218, 223, 238.1, D14/240, 242, 253, 356, 358; D13/103, D13/110, 133, 146, 158, 184, 147, 152; D8/382; D16/242

CPC H01R 31/00; H01R 31/06; H01R 31/065; H01R 27/00; H01R 27/02; H01R 25/00; H01R 25/003; H01R 25/006; G06F 1/1607; G06F 1/20

See application file for complete search history.

DESCRIPTION

FIG. 1 is a front perspective view of the adapter for a mounting assembly for electronic devices according to the present design;

FIG. 2 is a front elevational view of the adapter for a mounting assembly for electronic devices of FIG. 1;

FIG. 3 is a rear elevational view of the adapter for a mounting assembly for electronic devices of FIG. 1;

FIG. 4 is a right-side elevational view of the adapter for a mounting assembly for electronic devices of FIG. 1;

FIG. 5 is a left-side elevational view of the adapter for a mounting assembly for electronic devices of FIG. 1;

FIG. 6 is a top plan view of the adapter for a mounting assembly for electronic devices of FIG. 1; and,

FIG. 7 is a bottom plan view of the adapter for a mounting assembly for electronic devices of FIG. 1.

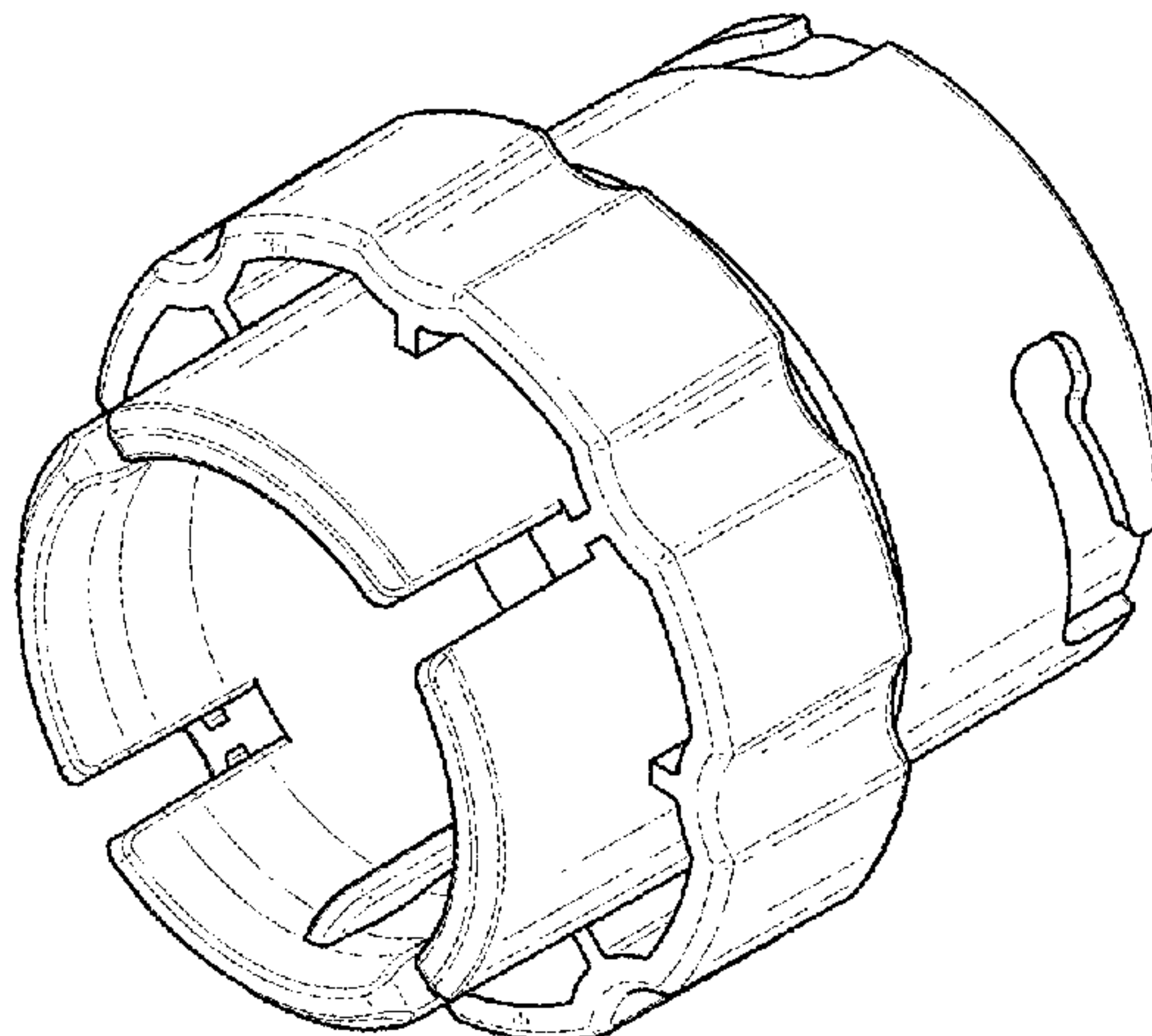
The broken lines depict environmental structure that forms no part of the claimed design.

(56) **References Cited**

U.S. PATENT DOCUMENTS

D256,231 S * 8/1980 Laudig D13/133
D317,751 S * 6/1991 Kozono D13/133
D407,370 S * 3/1999 Wang D13/133
D426,519 S * 6/2000 Huang D13/133
D554,067 S * 10/2007 Phung D13/151
8,323,058 B2 * 12/2012 Flaherty H01R 13/6277
439/680

1 Claim, 7 Drawing Sheets



(56)

References Cited

U.S. PATENT DOCUMENTS

D777,106 S *	1/2017	Katagiyama	D13/133
D781,787 S *	3/2017	Spiel	D13/149
D809,465 S *	2/2018	Keirstead	D13/152
D810,024 S *	2/2018	Watkins	D13/133
D810,685 S *	2/2018	Watkins	D13/133
D831,097 S *	10/2018	Burch, V	D16/242
D832,218 S *	10/2018	Wronski	D13/152

* cited by examiner

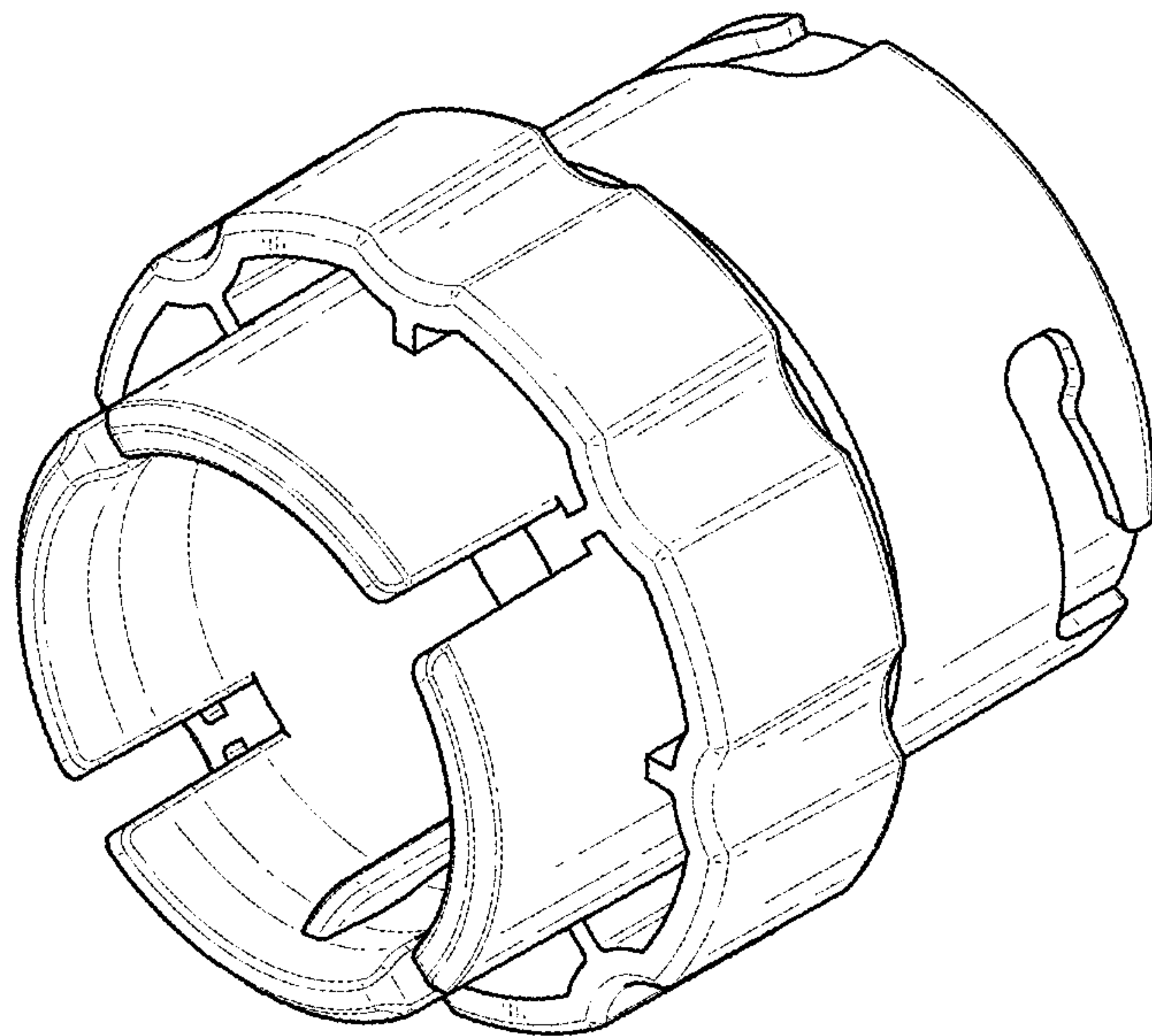


FIG. 1

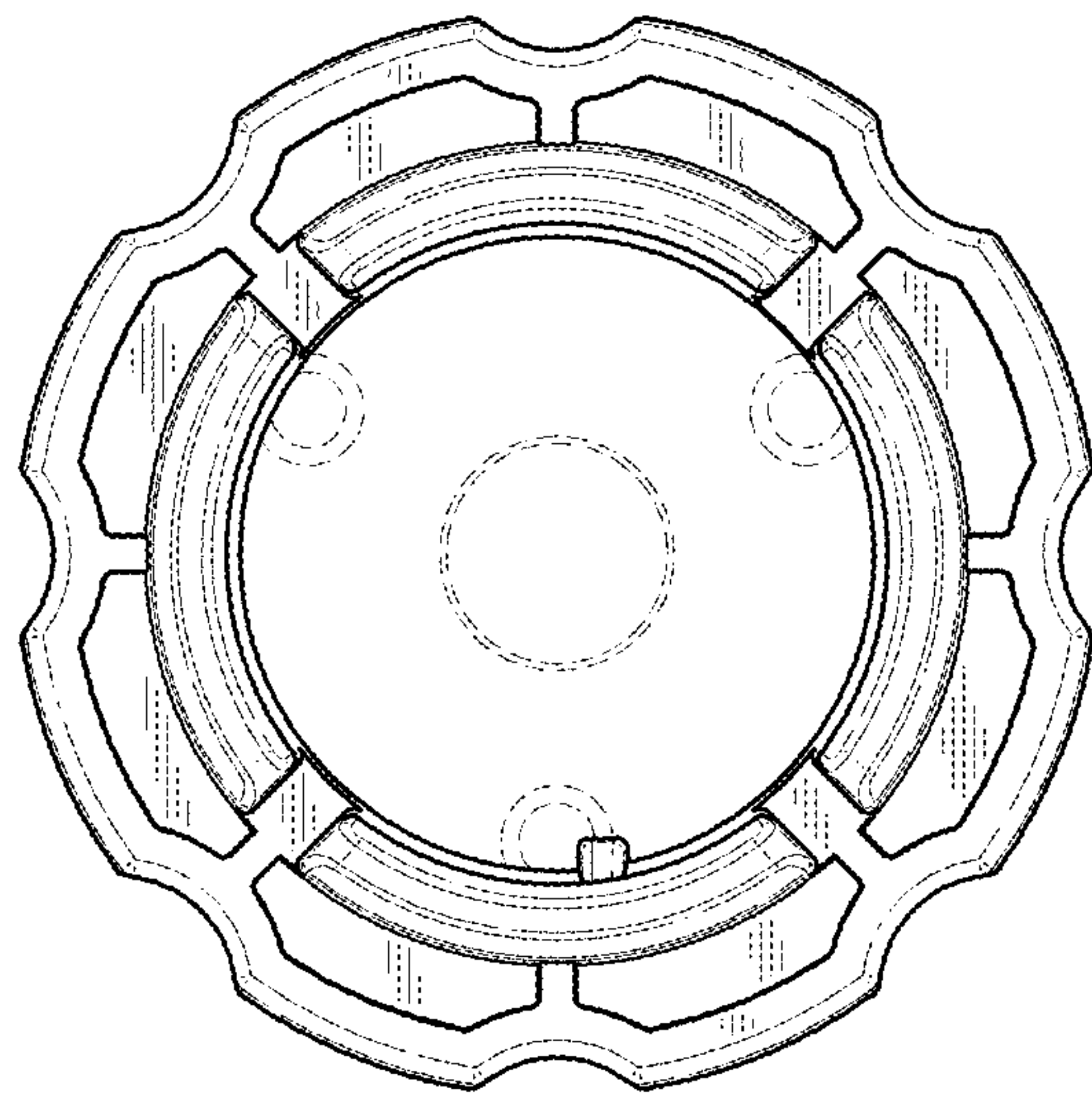


FIG. 2

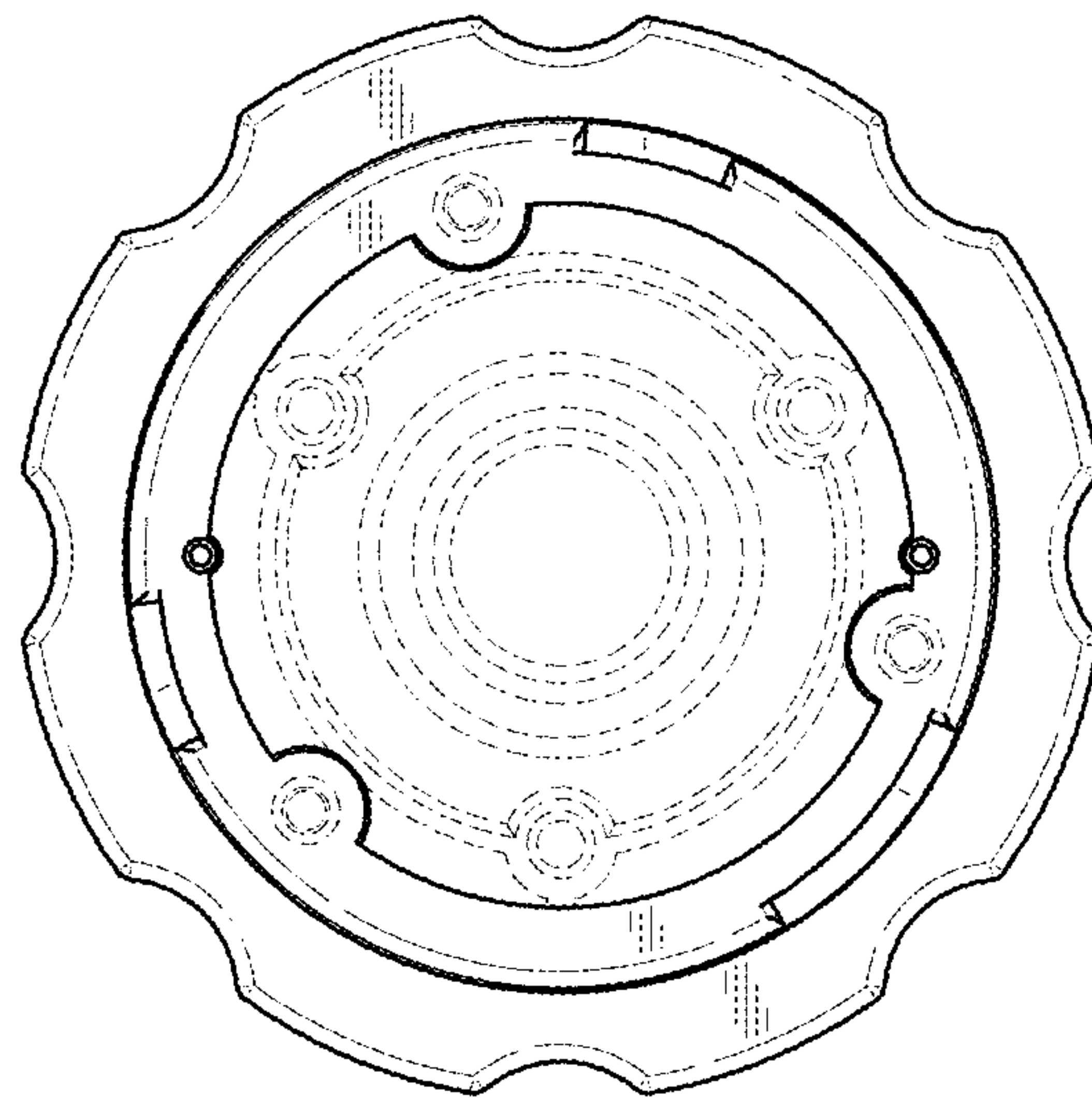


FIG. 3

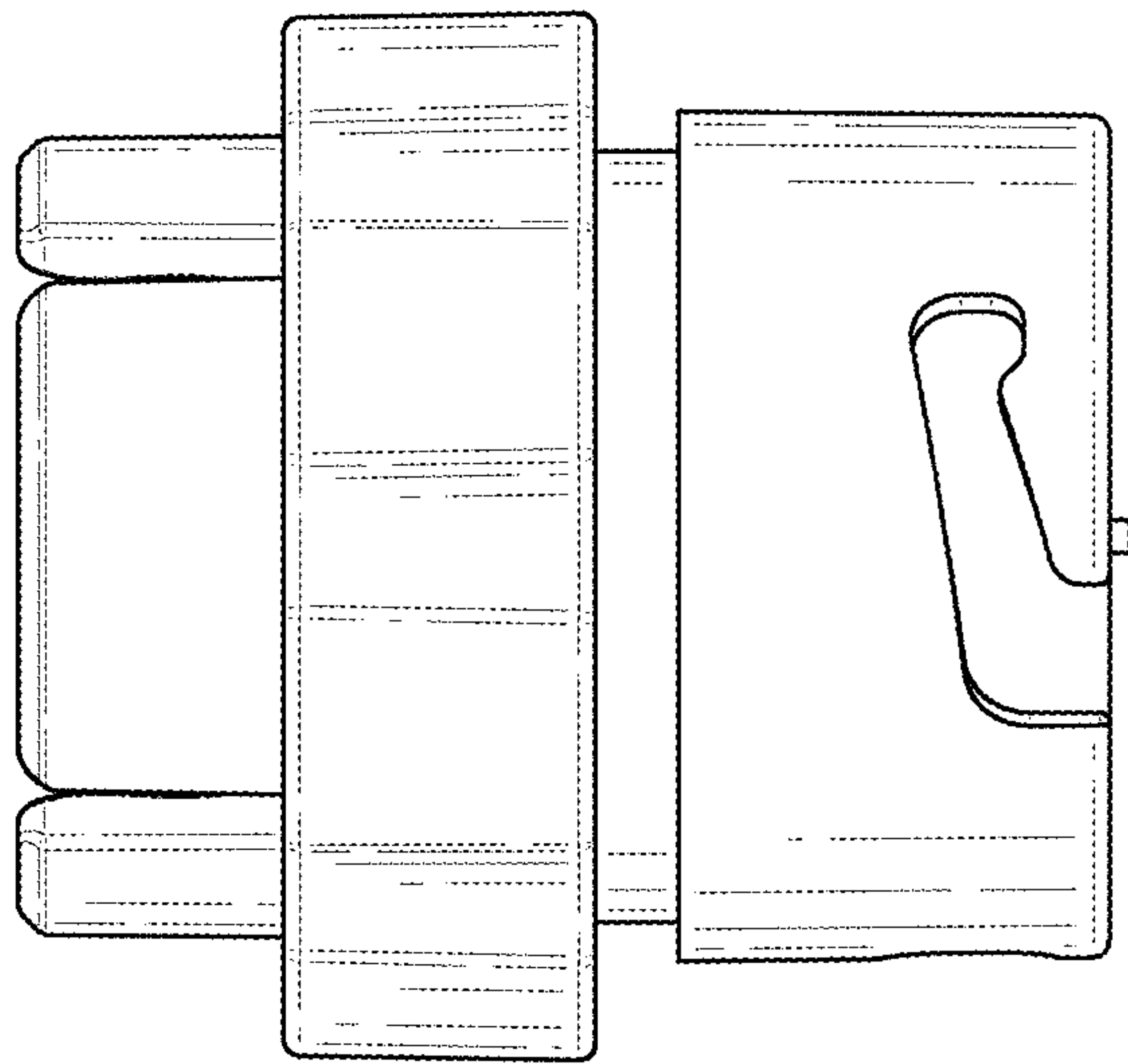


FIG. 4

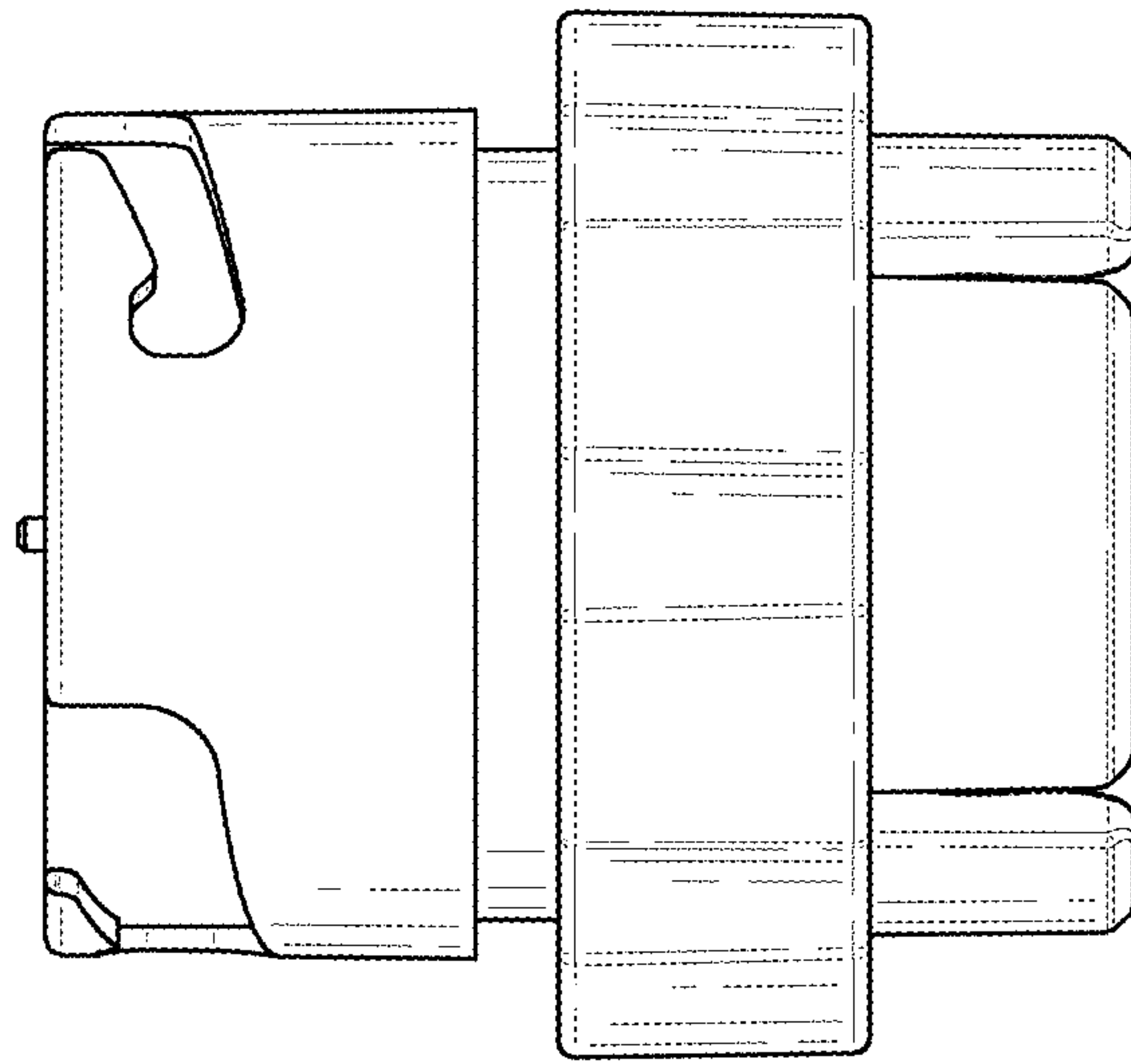


FIG. 5

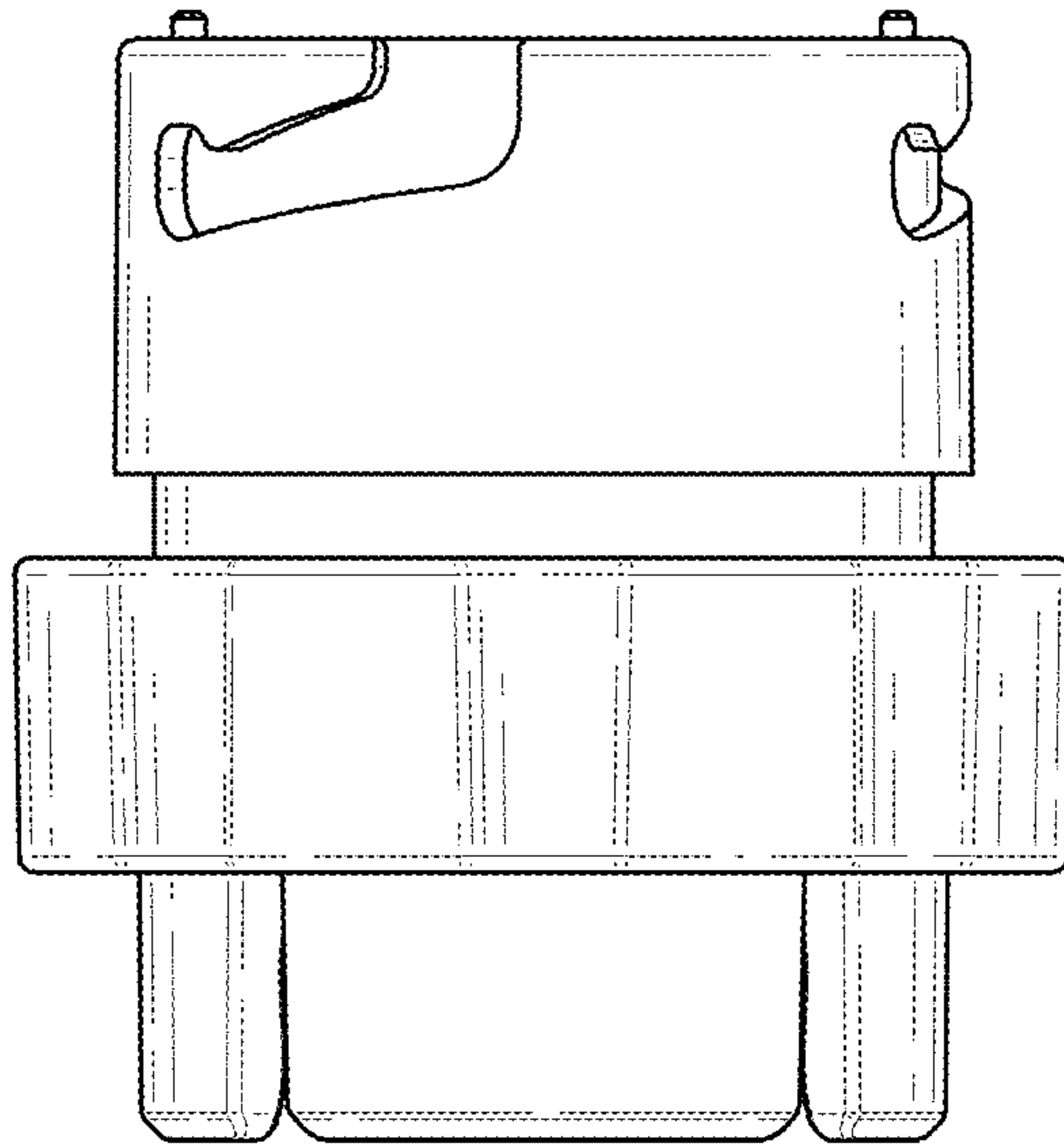


FIG. 6

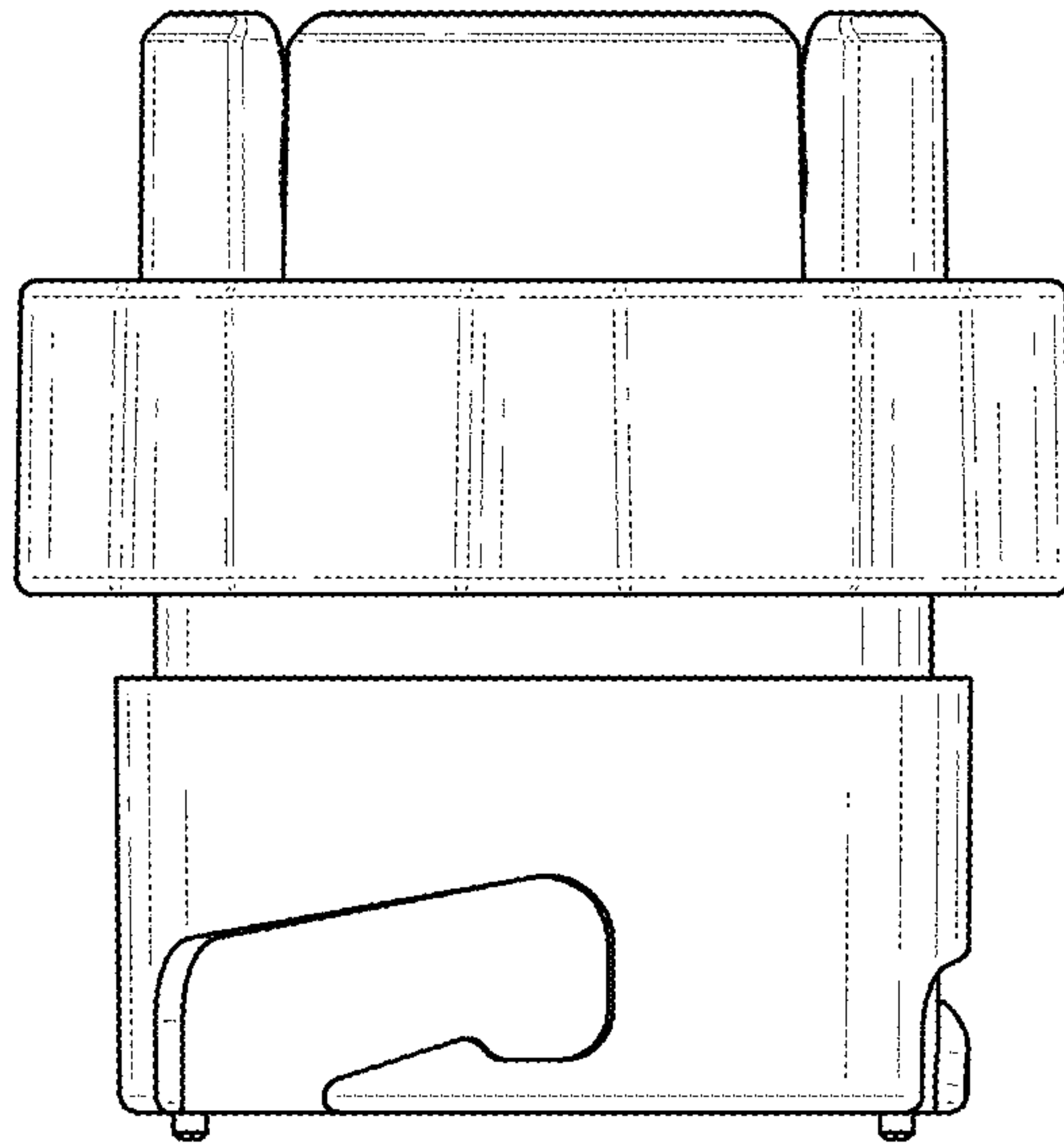


FIG. 7