



US00D846621S

(12) **United States Design Patent**
Inagaki et al.

(10) **Patent No.:** **US D846,621 S**

(45) **Date of Patent:** **** Apr. 23, 2019**

(54) **CAMERA FOR PHOTOGRAPH VENDING MACHINE**

Primary Examiner — Philip S Hyder

Assistant Examiner — Ramzi S Almatrahi

(71) Applicant: **FURYU CORPORATION**, Tokyo (JP)

(74) *Attorney, Agent, or Firm* — Capitol City TechLaw

(72) Inventors: **Ryoko Inagaki**, Tokyo (JP); **Hideaki Furukawa**, Tokyo (JP); **Shingo Hamaguchi**, Tokyo (JP); **Sadayasu Araki**, Tokyo (JP); **Tsuneo Okada**, Tokyo (JP); **Wakako Sakahara**, Tokyo (JP); **Michiyo Wakayoshi**, Tokyo (JP)

(57) **CLAIM**

The ornamental design for a camera for photograph vending machine, as shown and described.

(73) Assignee: **FURYU CORPORATION**, Tokyo (JP)

(**) Term: **15 Years**

DESCRIPTION

(21) Appl. No.: **29/628,349**

(22) Filed: **Dec. 4, 2017**

Related U.S. Application Data

(62) Division of application No. 29/553,229, filed on Jan. 29, 2016, now Pat. No. Des. 807,943, which is a (Continued)

(30) **Foreign Application Priority Data**

Sep. 16, 2014 (JP) 2014-020461

(51) **LOC (11) Cl.** **16-05**

(52) **U.S. Cl.**
USPC **D16/219; D16/215**

(58) **Field of Classification Search**
USPC D16/200, 202–206, 212, 214–216, 218, D16/219, 227, 229, 239, 240, 242, 244;
(Continued)

(56) **References Cited**

U.S. PATENT DOCUMENTS

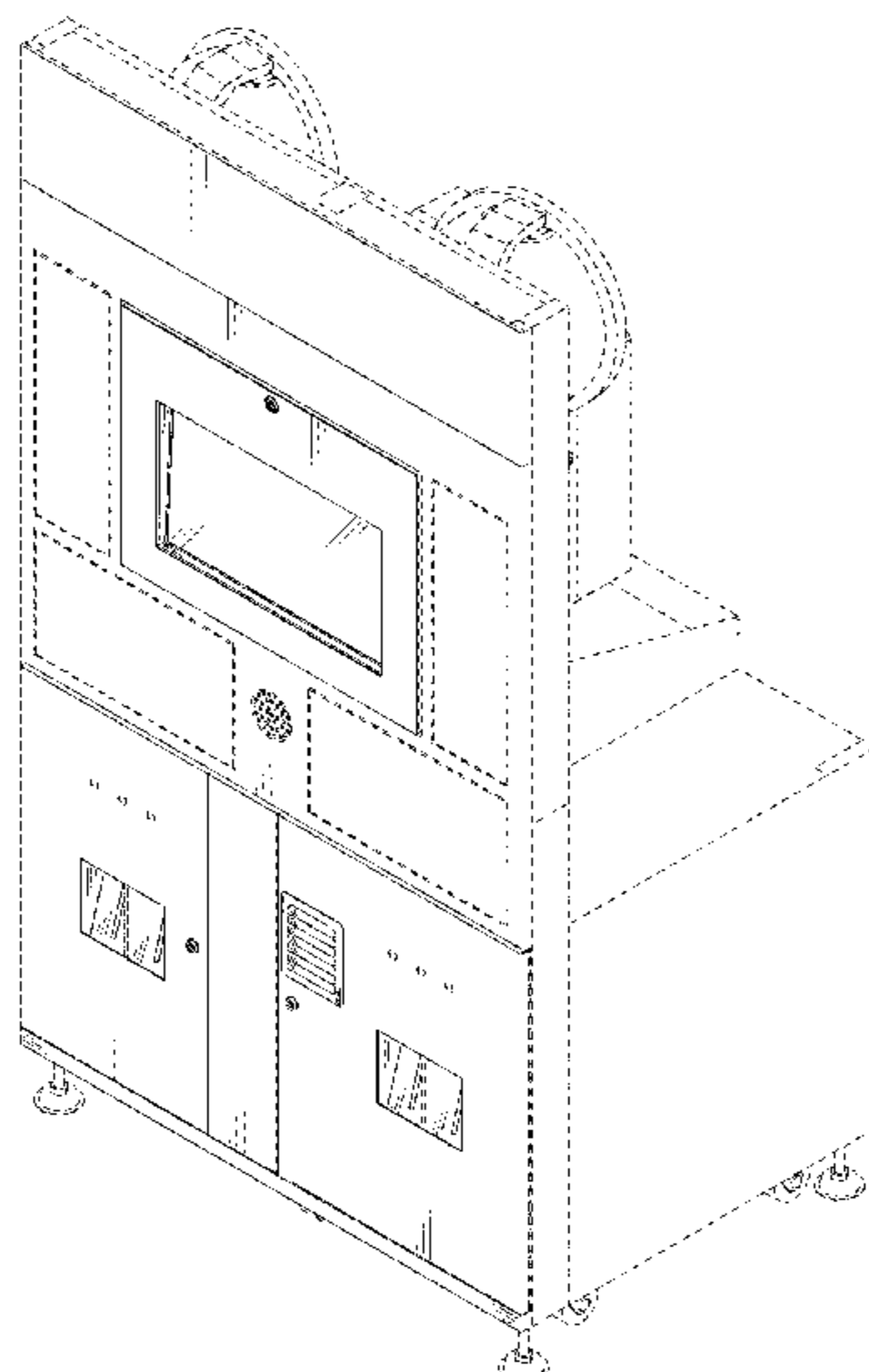
D175,156 S 7/1955 Crapsey
D176,980 S 2/1956 Hodgman

(Continued)

FIG. 1 is a front, top, and right side perspective view of a first embodiment of a camera for photograph vending machine showing our new design;
FIG. 2 is a rear, top, and left side perspective view thereof;
FIG. 3 is a front view thereof;
FIG. 4 is a rear view thereof;
FIG. 5 is a top view thereof;
FIG. 6 is a bottom view thereof;
FIG. 7 is a right side view thereof;
FIG. 8 is a left side view thereof;
FIG. 9 is a front, top, and right side perspective view of a second embodiment of a camera for photograph vending machine showing our new design;
FIG. 10 is a rear, top, and left side perspective view thereof;
FIG. 11 is a front view thereof;
FIG. 12 is a rear view thereof;
FIG. 13 is a top view thereof;
FIG. 14 is a bottom view thereof;
FIG. 15 is a right side view thereof; and,
FIG. 16 is a left side view thereof.

The broken lines shown in the figures depict portions of the camera for photograph vending machine in which the design is embodied and form no part of the claimed design.

1 Claim, 16 Drawing Sheets



Related U.S. Application Data

division of application No. 29/474,985, filed on Mar. 11, 2015, now Pat. No. Des. 752,127.

(58) **Field of Classification Search**

USPC D13/162, 117; D25/16; 52/27.5, 29, 52/36.1; 348/373–376; 396/2, 3, 5, 419, 396/424, 427, 429, 535, 539–541; 455/575.3

CPC G03B 15/00; G03B 15/03; G03B 15/06; G03B 17/02; G03B 17/04; G03B 17/53; G03B 17/56; G03B 19/04; H04N 5/2251; H04N 5/2252; H04N 5/2253; H04N 5/2254; H04N 2101/00

See application file for complete search history.

(56) **References Cited**

U.S. PATENT DOCUMENTS

D186,473 S 10/1959 Hodgman
 D224,982 S 10/1972 Conner
 D307,081 S * 4/1990 Allen D14/307

D324,873 S 3/1992 Thayer
 D408,835 S 4/1999 Tiedemann et al.
 D461,253 S 8/2002 Peck
 D480,406 S 10/2003 Tudico
 D546,770 S * 7/2007 Herbstritt D13/162
 D633,933 S 3/2011 Van Schalkwyk
 D647,938 S 11/2011 Geddes
 D692,474 S 10/2013 Thorpe
 D695,697 S * 12/2013 Saari D13/177
 D707,745 S 6/2014 Hernandez
 D727,992 S 4/2015 Tu et al.
 D729,296 S 5/2015 Shelton
 D731,575 S 6/2015 Moss
 D733,440 S * 7/2015 McGarth D6/335
 D755,876 S 5/2016 Moss
 9,429,817 B1 * 8/2016 Harder G03B 17/53
 D768,874 S * 10/2016 Walter D25/16
 D785,694 S 5/2017 Fujii et al.
 D810,807 S * 2/2018 Lindquist D16/215
 D815,608 S * 4/2018 Lin D13/177
 D828,311 S * 9/2018 Byrne D13/177
 2004/0126104 A1 7/2004 Clark et al.
 2011/0211819 A1 9/2011 Reno

* cited by examiner

FIG. 1

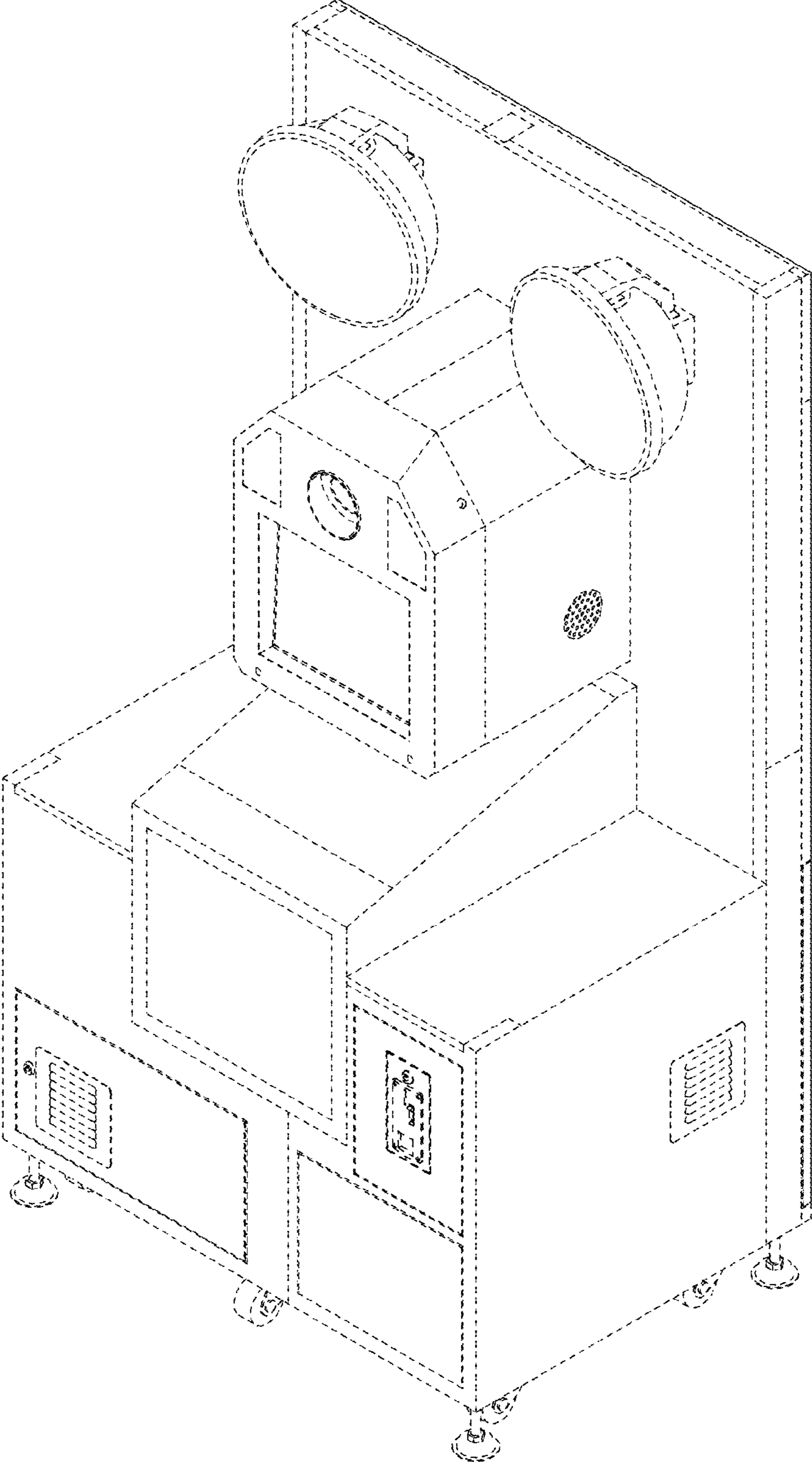


FIG. 2

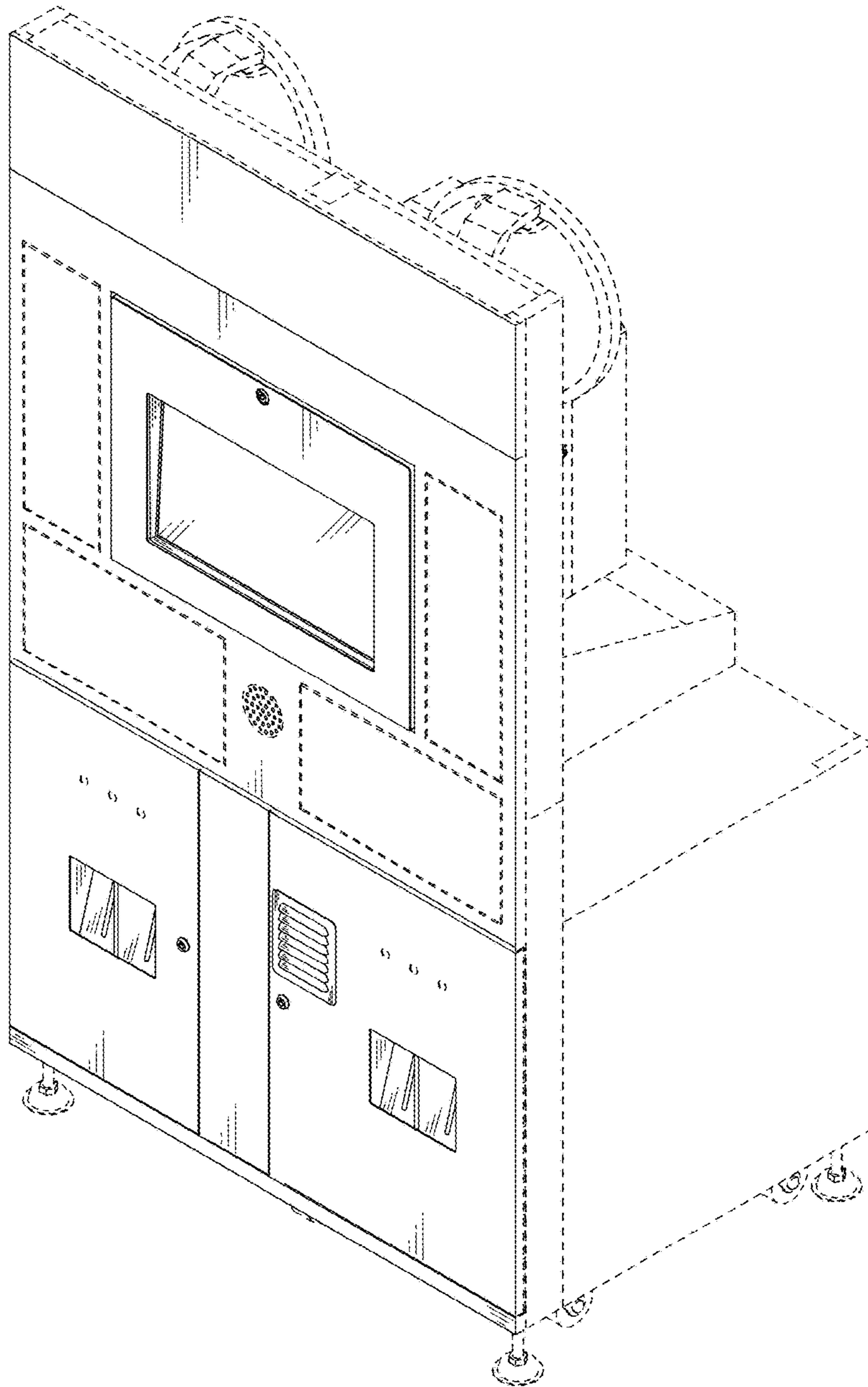


FIG. 3

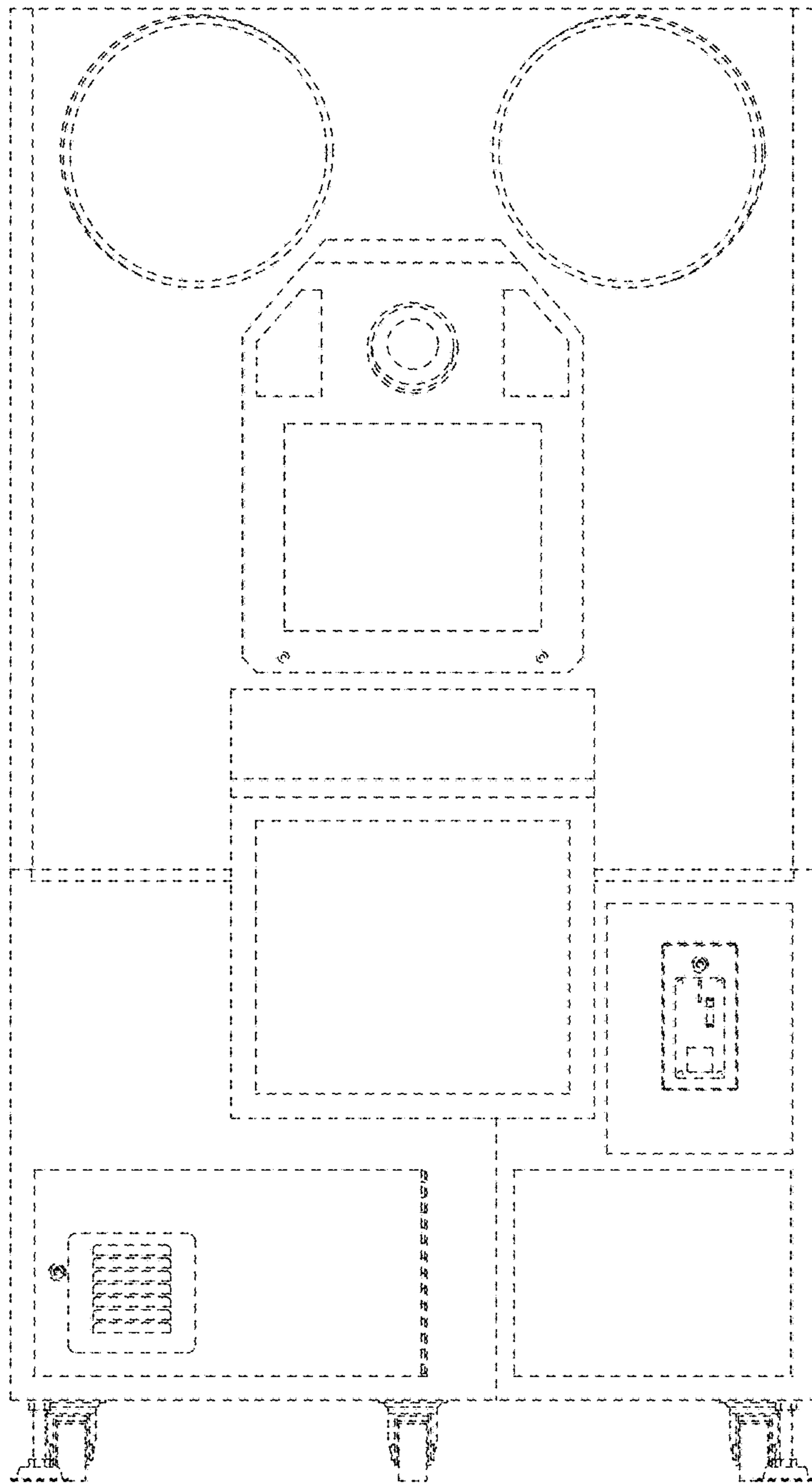


FIG. 4

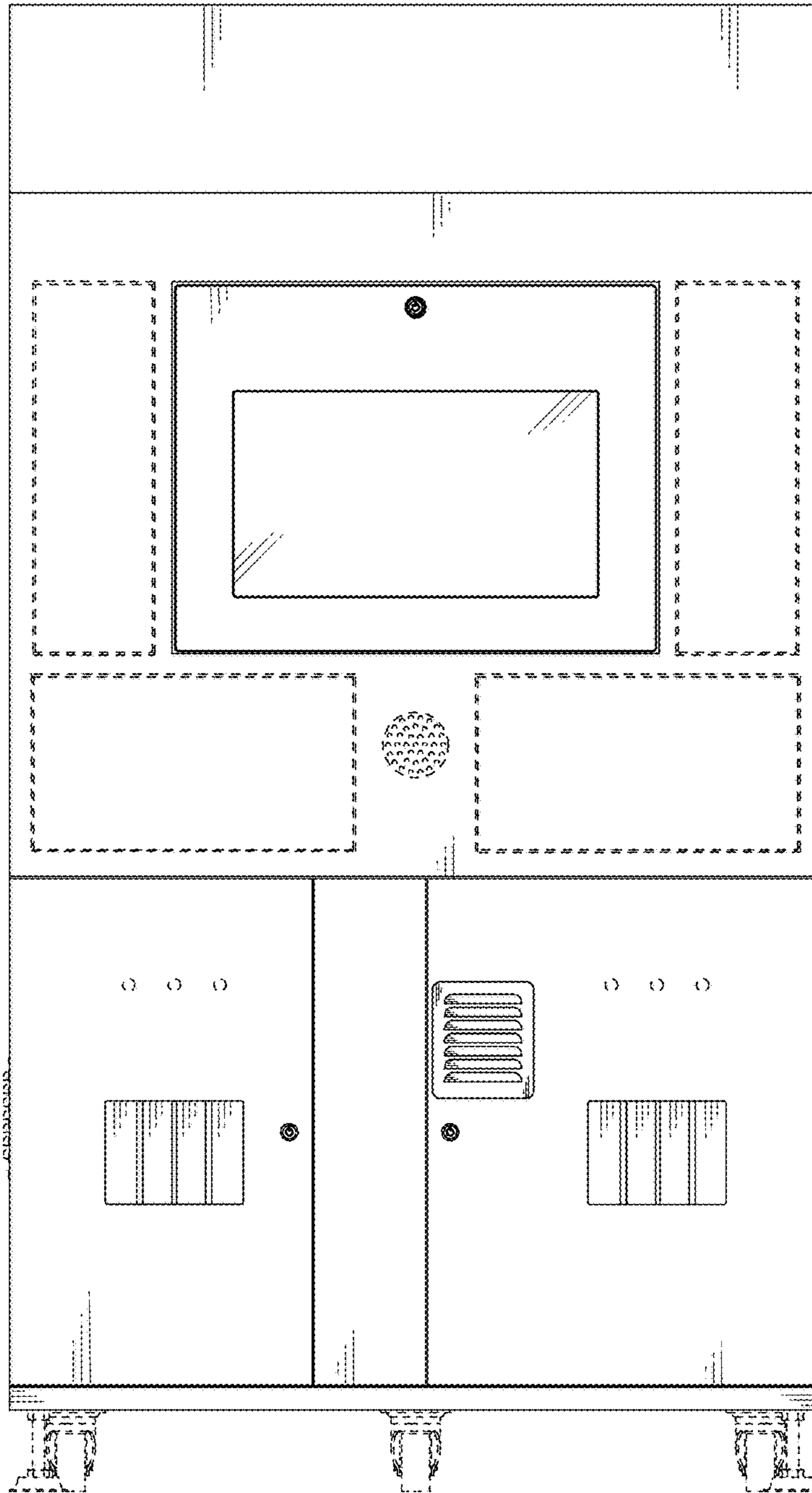


FIG. 5

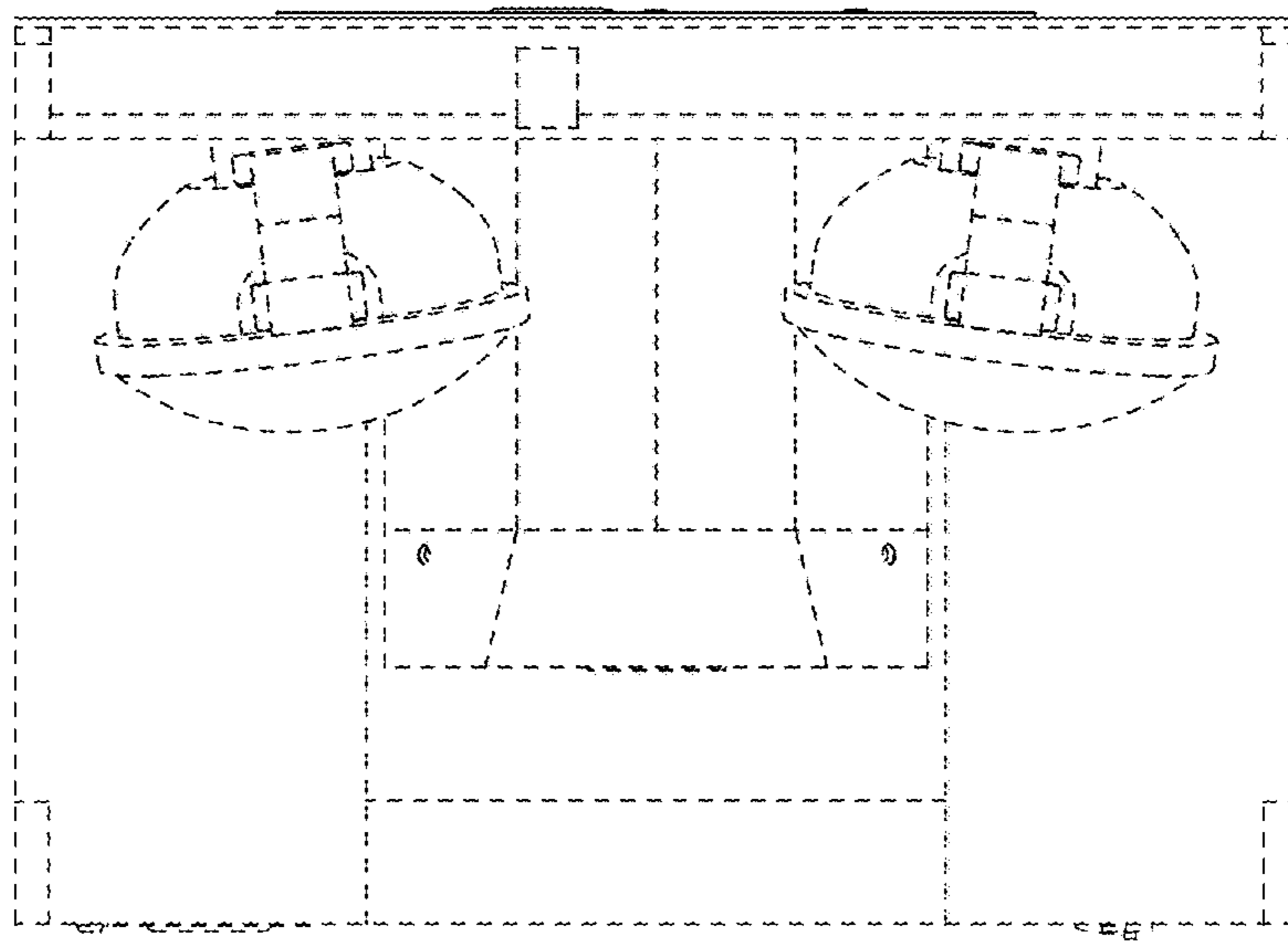


FIG. 6

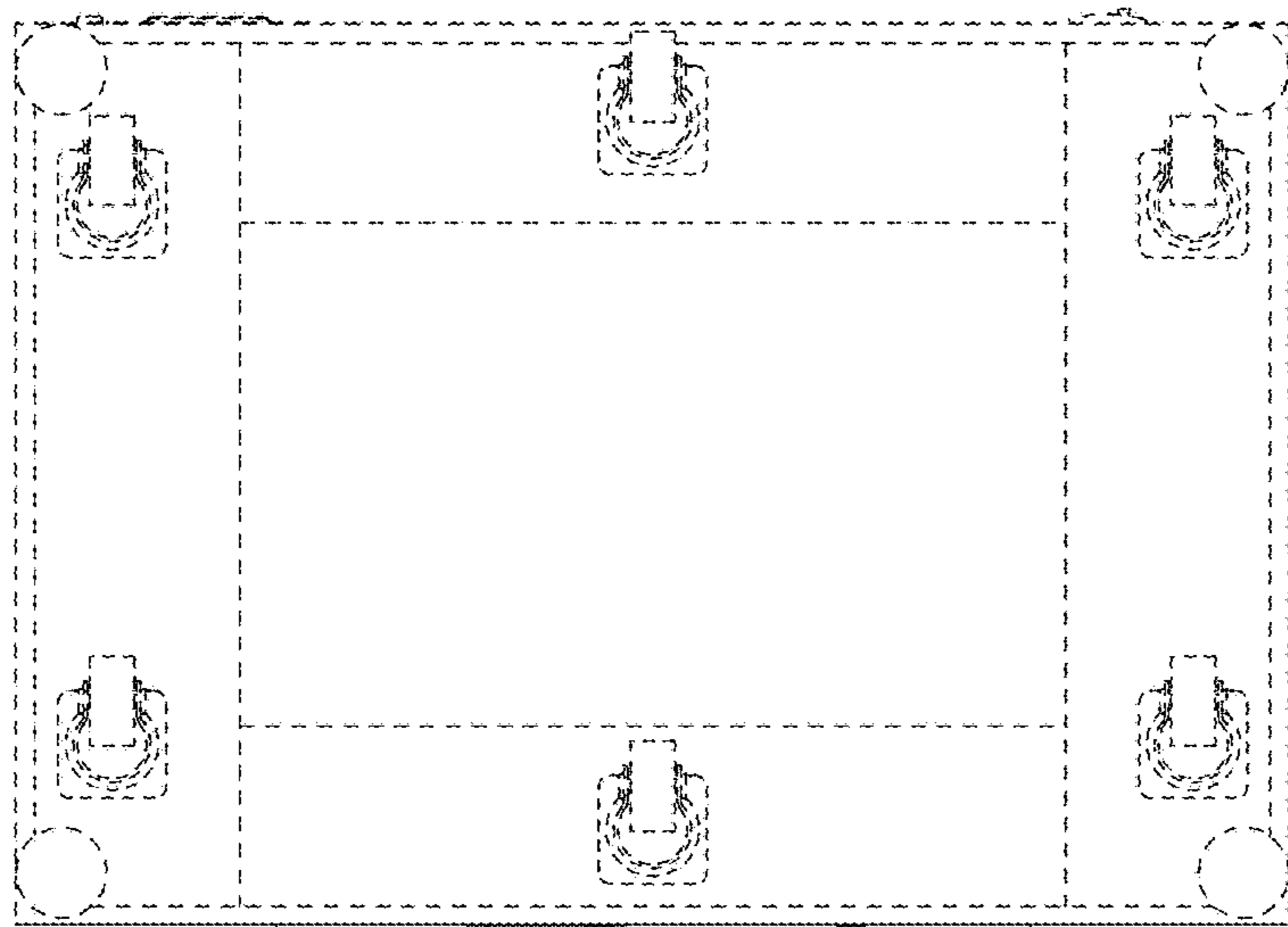


FIG. 7

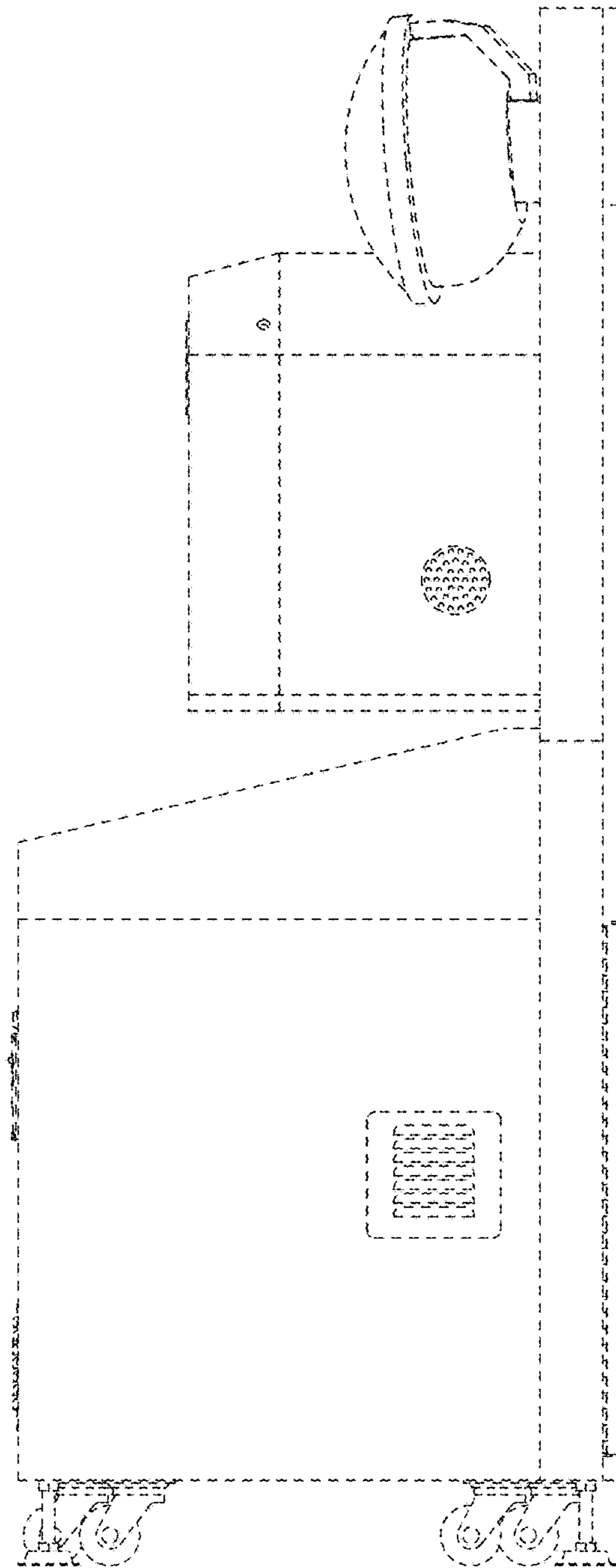


FIG. 8

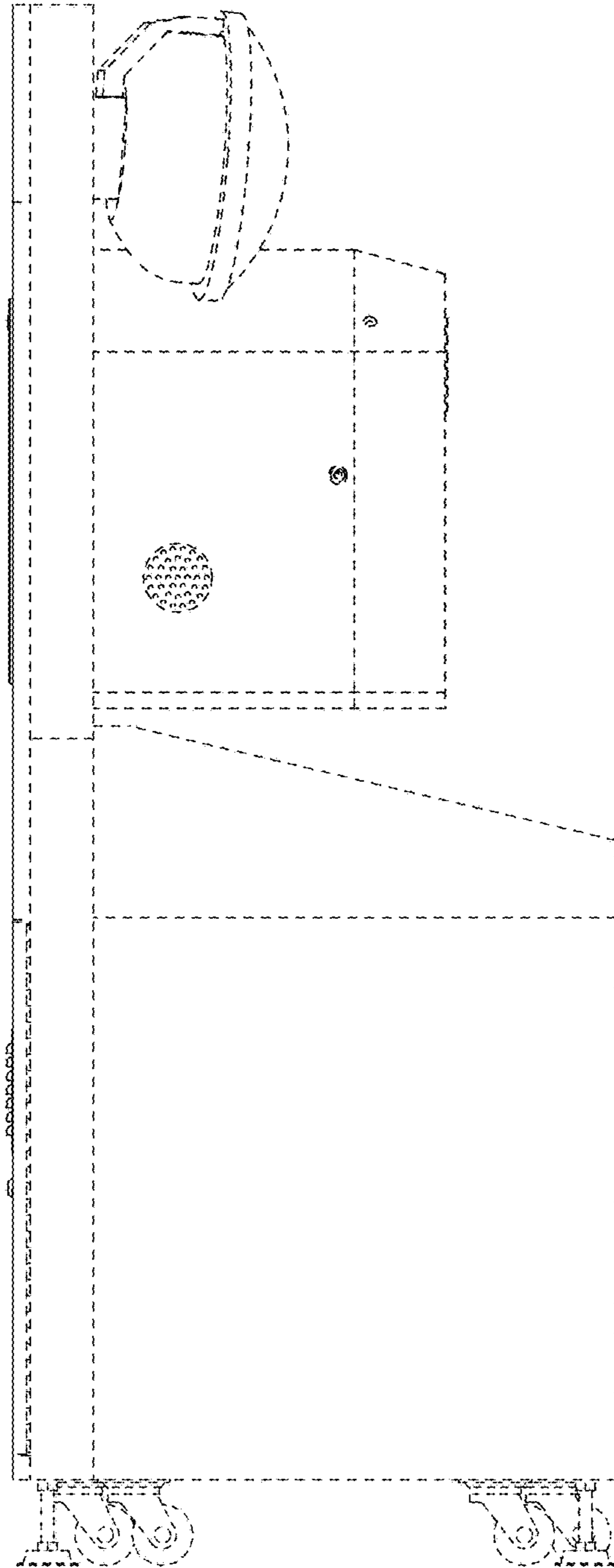


FIG. 9

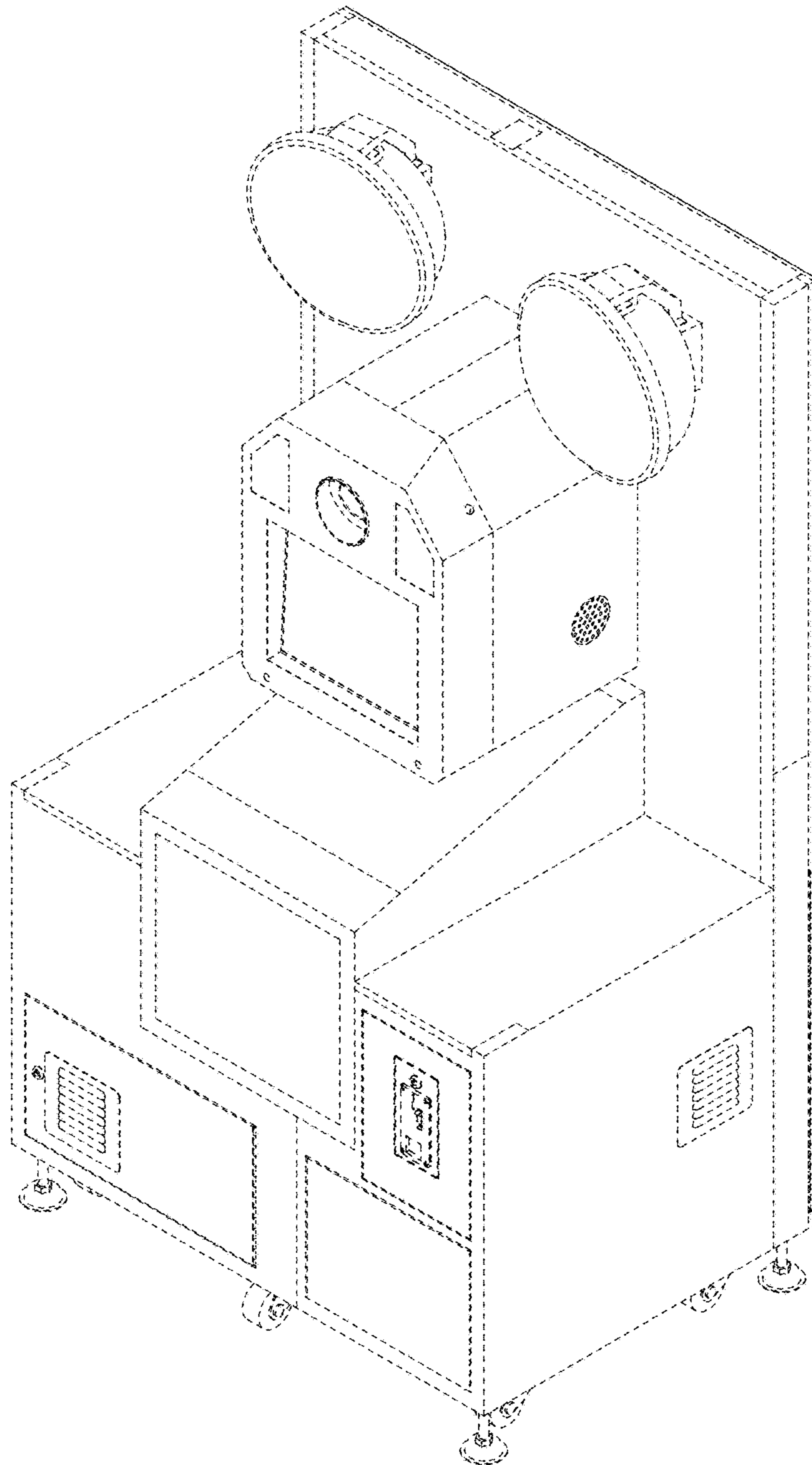


FIG. 10

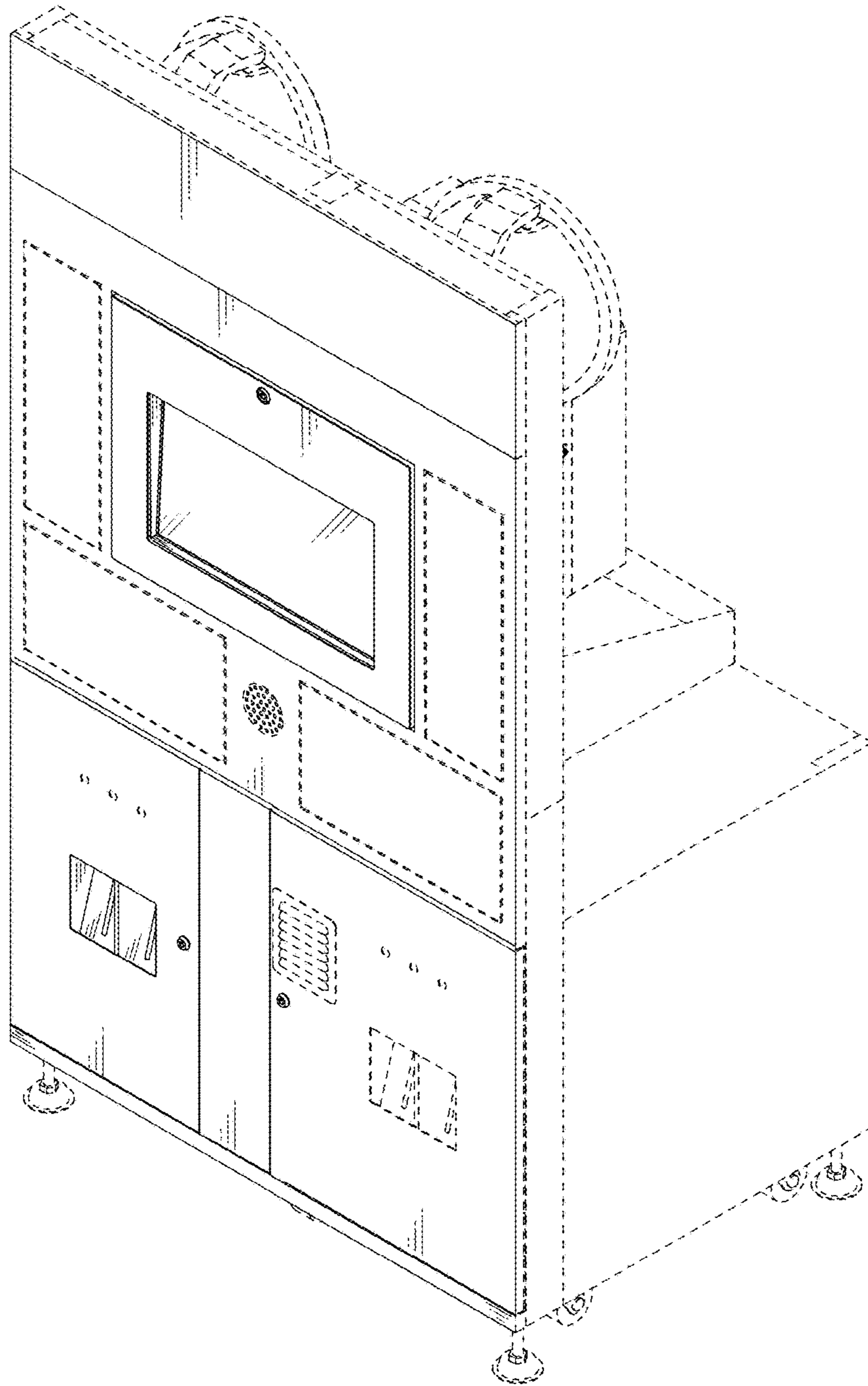


FIG. 11

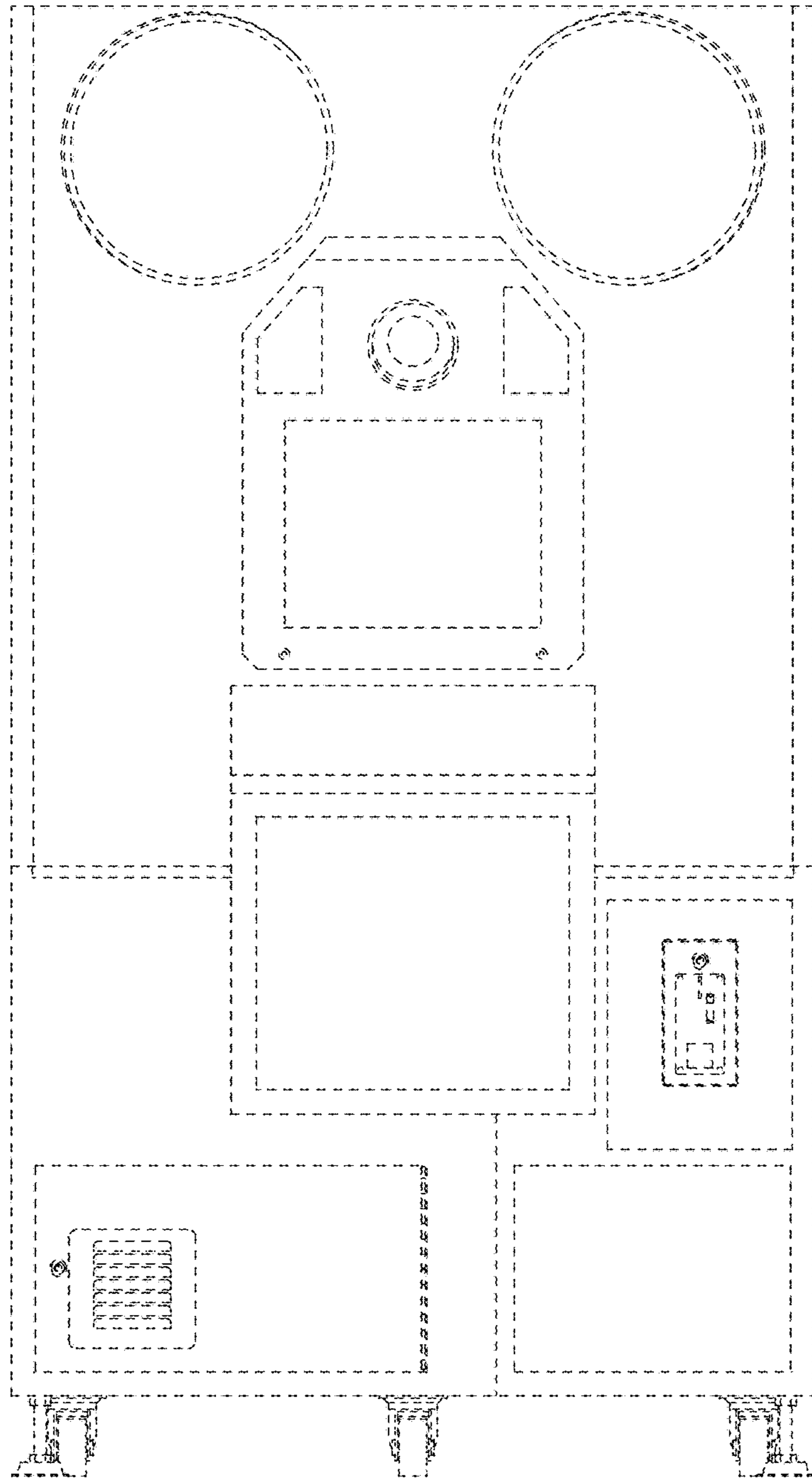


FIG. 12

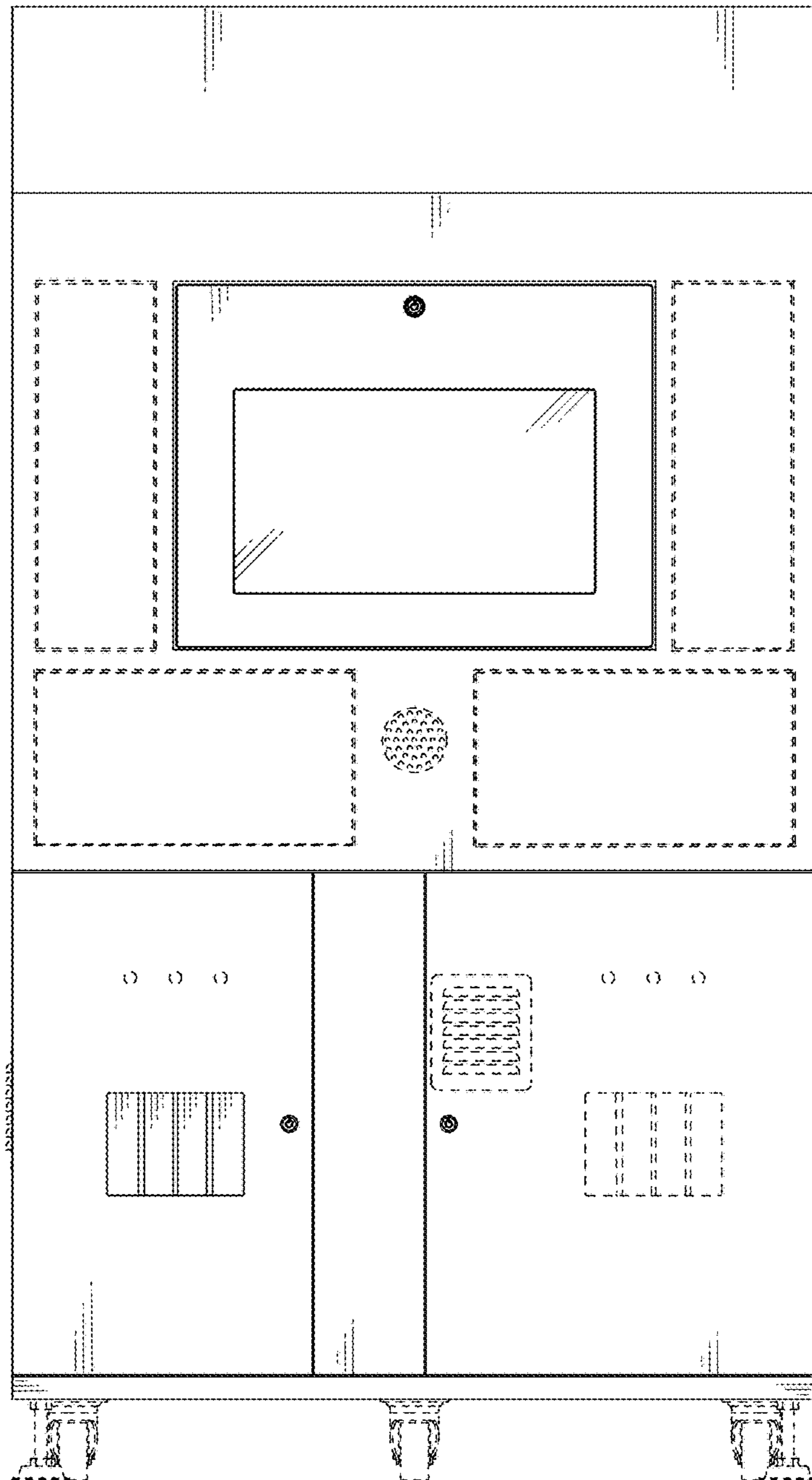


FIG. 13

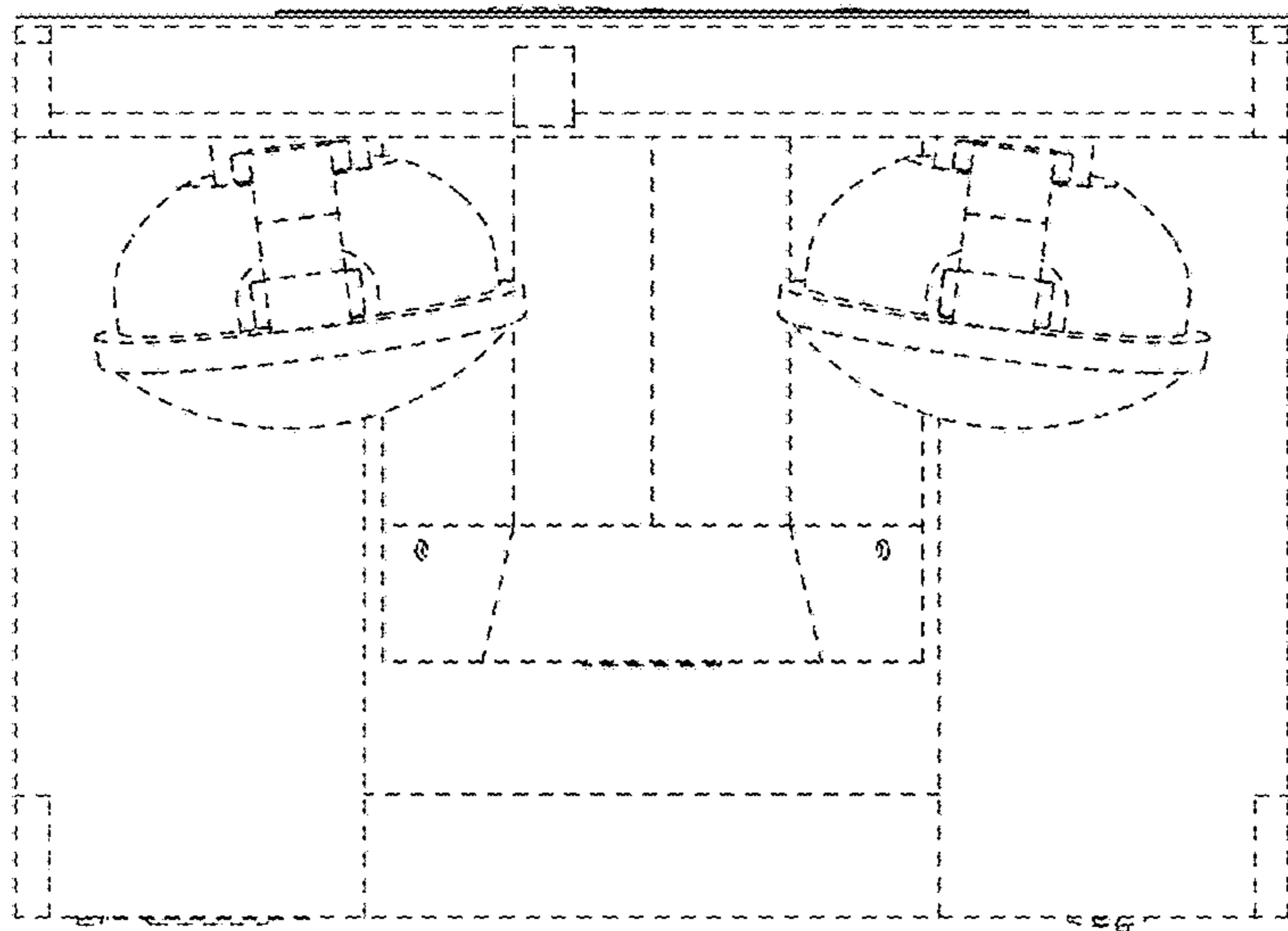


FIG. 14

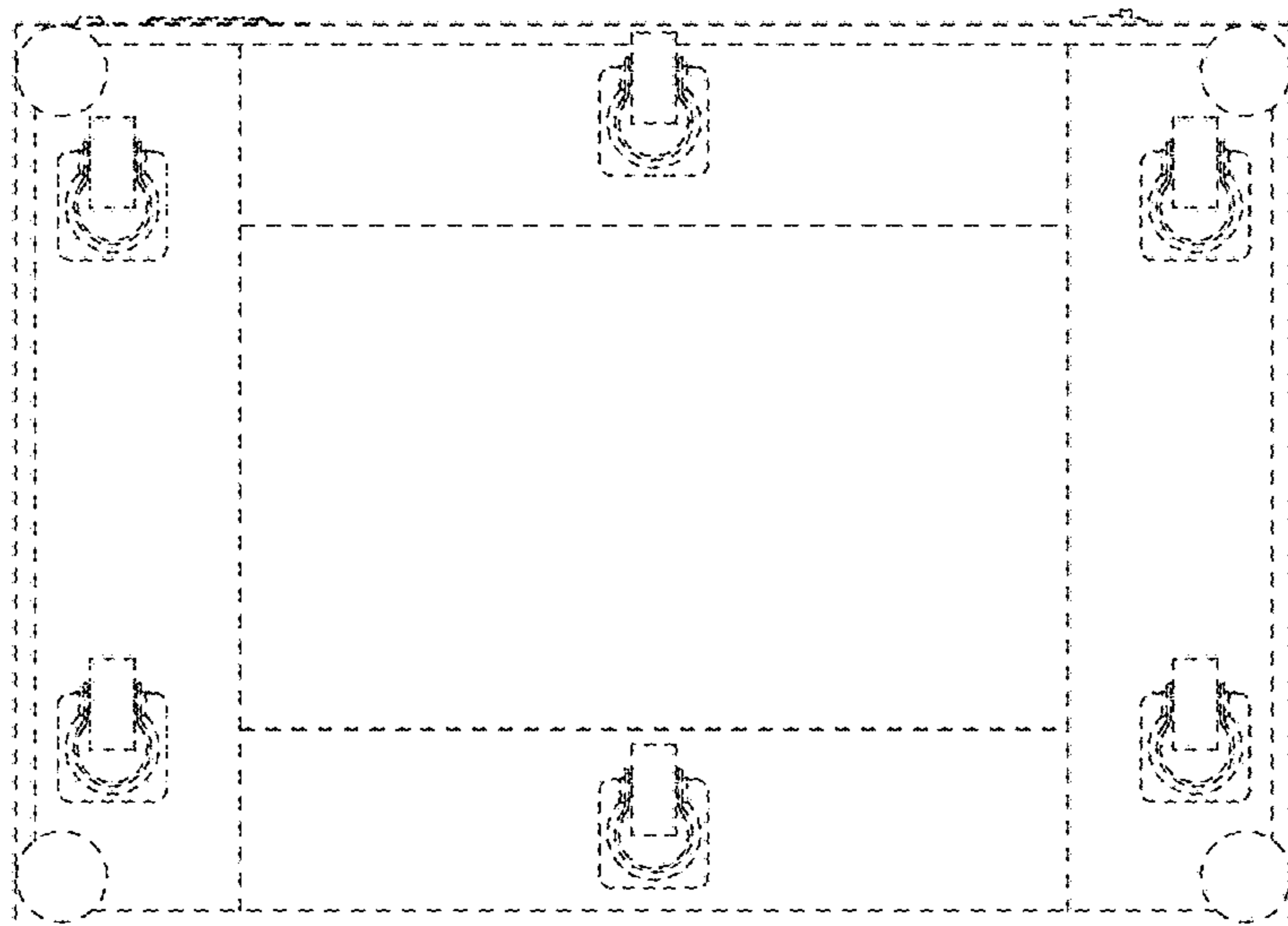


FIG. 15

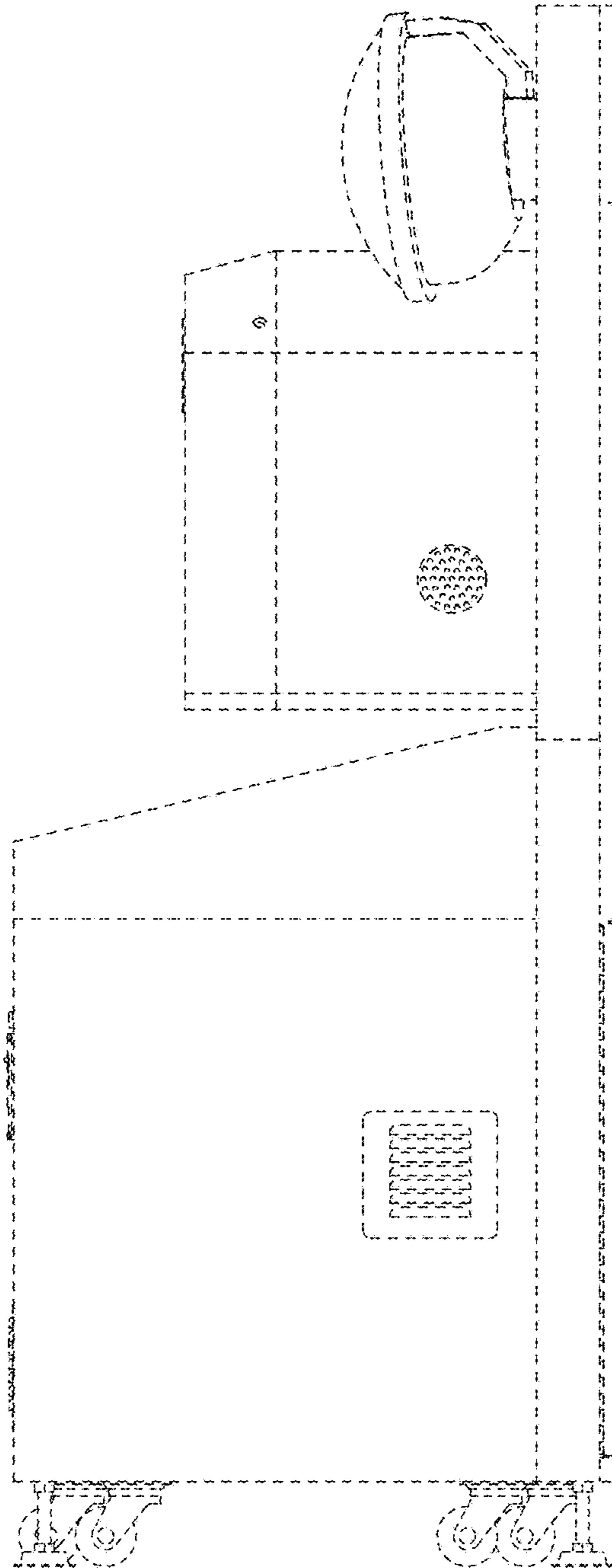


FIG. 16

