



US00D846620S

(12) **United States Design Patent**
Katori

(10) **Patent No.:** **US D846,620 S**

(45) **Date of Patent:** **** Apr. 23, 2019**

(54) **VIDEO CAMERA**

(71) Applicant: **Panasonic Intellectual Property Management Co., Ltd., Osaka (JP)**

(72) Inventor: **Takehito Katori, Kanagawa (JP)**

(73) Assignee: **Panasonic Intellectual Property Management Co., Ltd., Osaka (JP)**

(**) Term: **15 Years**

(21) Appl. No.: **29/589,901**

(22) Filed: **Jan. 5, 2017**

(51) **LOC (11) Cl.** **16-05**

(52) **U.S. Cl.**
USPC **D16/219; D16/203**

(58) **Field of Classification Search**
USPC D16/200–220, 131, 237, 242, 239, 250,
D16/235, 130, 134, 136
CPC H04M 2250/52; H04N 5/2251; H04N
5/2252; H04N 5/2253; H01H 2231/046;
G02B 13/00; G02B 13/19621; G03B
11/048; G03B 11/04; G03B 11/041;
G03B 11/043; G03B 11/045
See application file for complete search history.

(56) **References Cited**

U.S. PATENT DOCUMENTS

D191,017 S *	8/1961	Elliot	D16/206
4,923,281 A *	5/1990	Krichever	G02B 7/026 359/826
D338,479 S *	8/1993	Takahashi	D16/134
D416,275 S *	11/1999	Ooya	D16/209
D417,681 S	12/1999	Hayashi		
6,104,887 A *	8/2000	Hamasaki	G03B 11/045 396/534
D446,232 S *	8/2001	Watanabe	D16/134
6,388,825 B1 *	5/2002	Koiwai	G02B 7/022 359/811
D478,607 S *	8/2003	Nakaigawa	D16/219
D515,611 S	2/2006	Sato		

D552,141 S *	10/2007	Kaplan	D16/200
D647,937 S	11/2011	Raken et al.		
D664,580 S *	7/2012	Sigward	D16/219
D684,207 S *	6/2013	Kim	D16/219
D699,278 S	2/2014	Isozaki		
D702,278 S *	4/2014	Kim	D16/237
D702,751 S	4/2014	Yoon		
D709,119 S *	7/2014	Kim	D16/219
D726,803 S	4/2015	Noh		
D737,358 S	8/2015	Park et al.		

(Continued)

OTHER PUBLICATIONS

Arbitrator BWC Body-Worn Camera (MK3), published May 13, 2015 [online], [retrieved Sep. 1, 2018], Available from Internet, URL: <<https://www.officer.com/on-the-street/body-cameras/product/12072889/panasonic-system-communications-co-of-north-america-toughbooks-arbitrator-bwc-bodyworn-camera>>.*

Primary Examiner — Barbara Fox
Assistant Examiner — Mary C Ramirez
(74) *Attorney, Agent, or Firm* — Panasonic IP Management; Kerry S. Culpepper

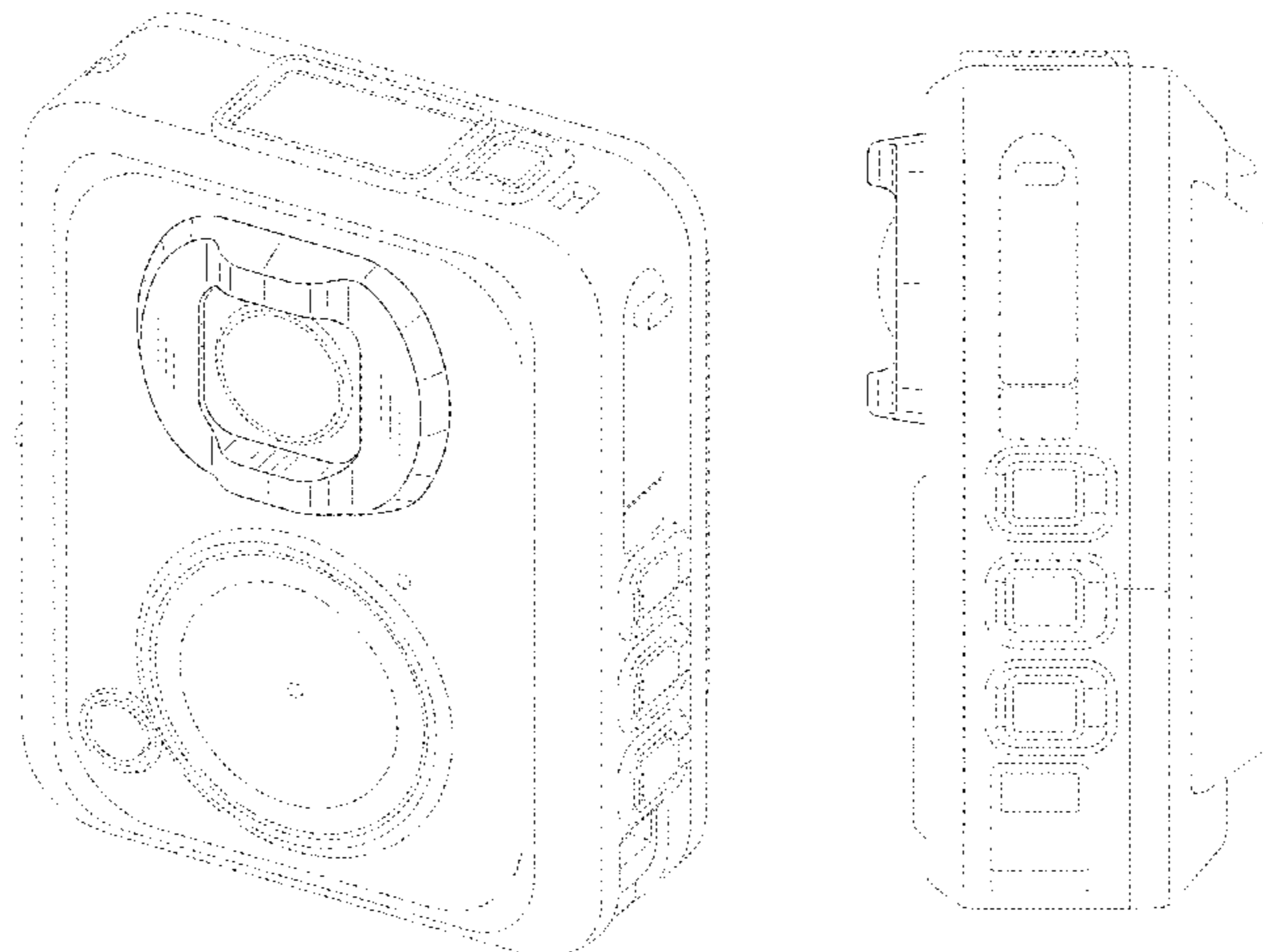
(57) **CLAIM**

I claim the ornamental design for a video camera, as shown and described.

DESCRIPTION

FIG. 1 is a top, front, right, perspective view of a video camera showing the new design; FIG. 2 is a bottom, front, left, perspective view thereof; FIG. 3 is a front view thereof; FIG. 4 is a rear view thereof; FIG. 5 is a left side view thereof; FIG. 6 is a right side view thereof; FIG. 7 is a top view thereof; and, FIG. 8 is a bottom view thereof. The broken lines shown in drawings depict portions of the video camera that form no part of the claimed design.

1 Claim, 8 Drawing Sheets



(56)

References Cited

U.S. PATENT DOCUMENTS

D797,836 S *	9/2017	Li	D16/218
D810,803 S *	2/2018	Suzuki	D16/202
D827,012 S *	8/2018	Katori	D16/202
D828,427 S *	9/2018	Wu	D16/203
D833,506 S *	11/2018	Chen	D16/218
2002/0114085 A1 *	8/2002	Hattori	G11B 7/1376 359/811
2018/0167537 A1 *	6/2018	Takada	H04N 5/225
2018/0240621 A1 *	8/2018	Oomori	H01H 13/48

* cited by examiner

FIG. 1

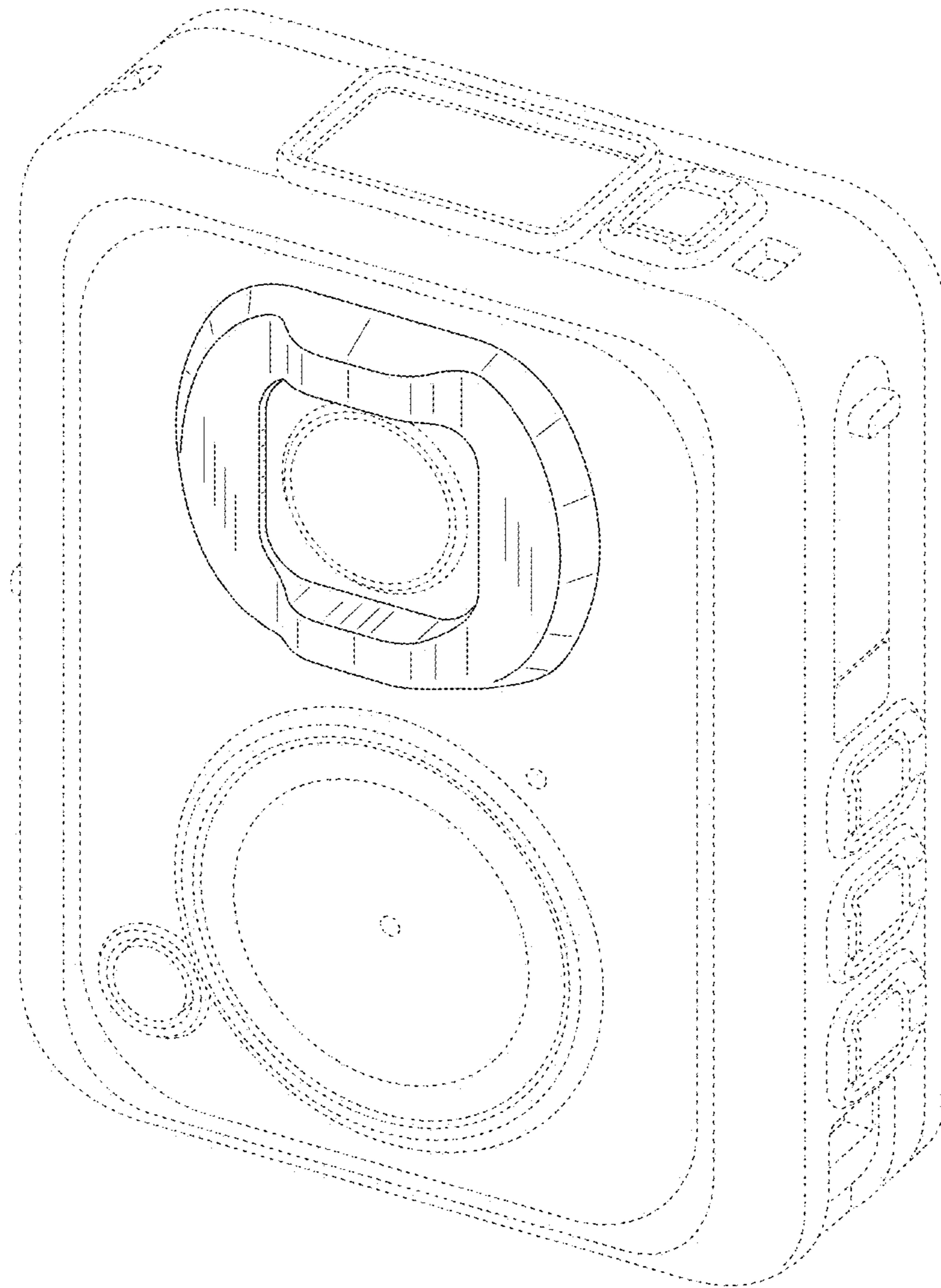


FIG. 2

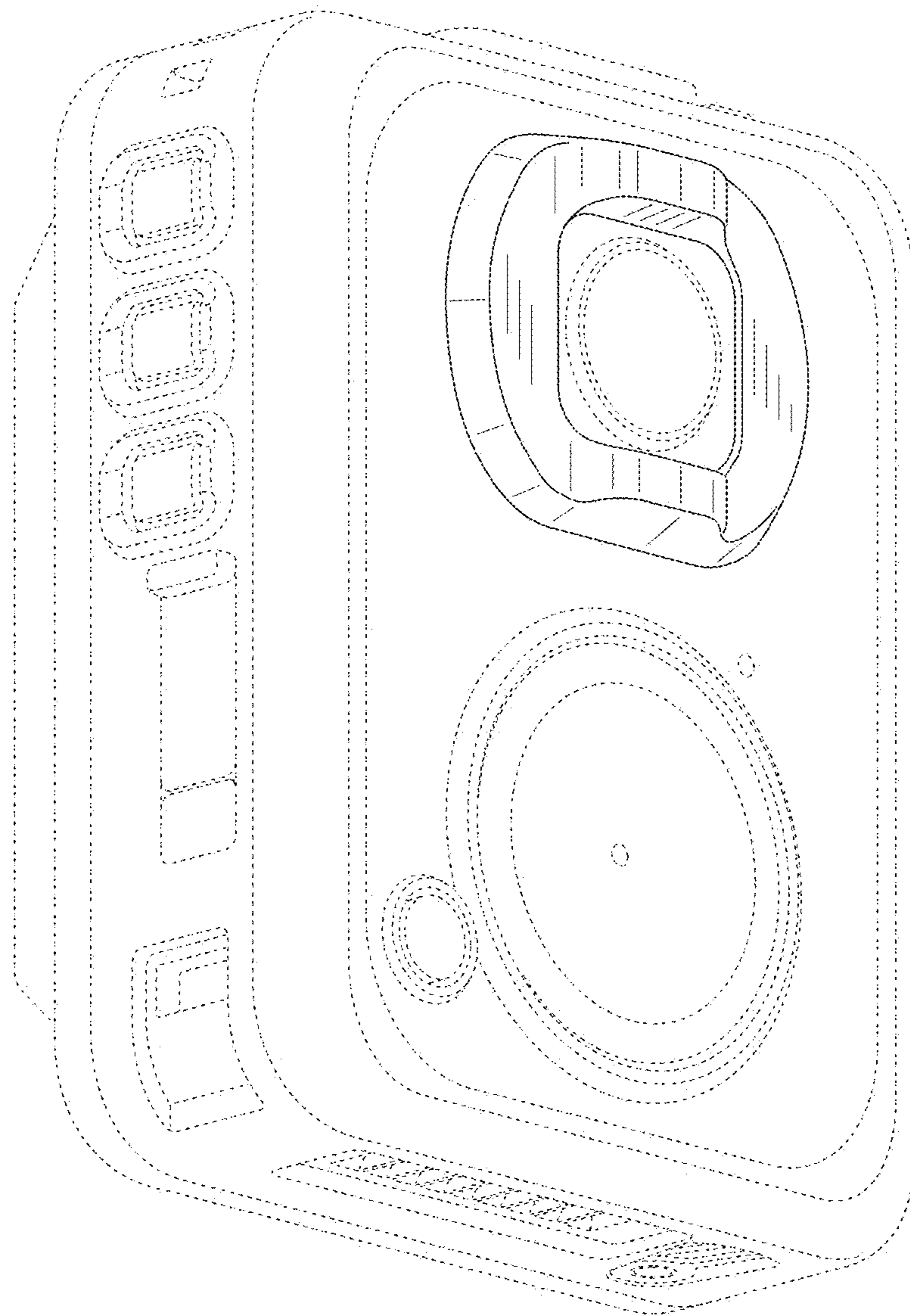


FIG. 3



FIG. 4

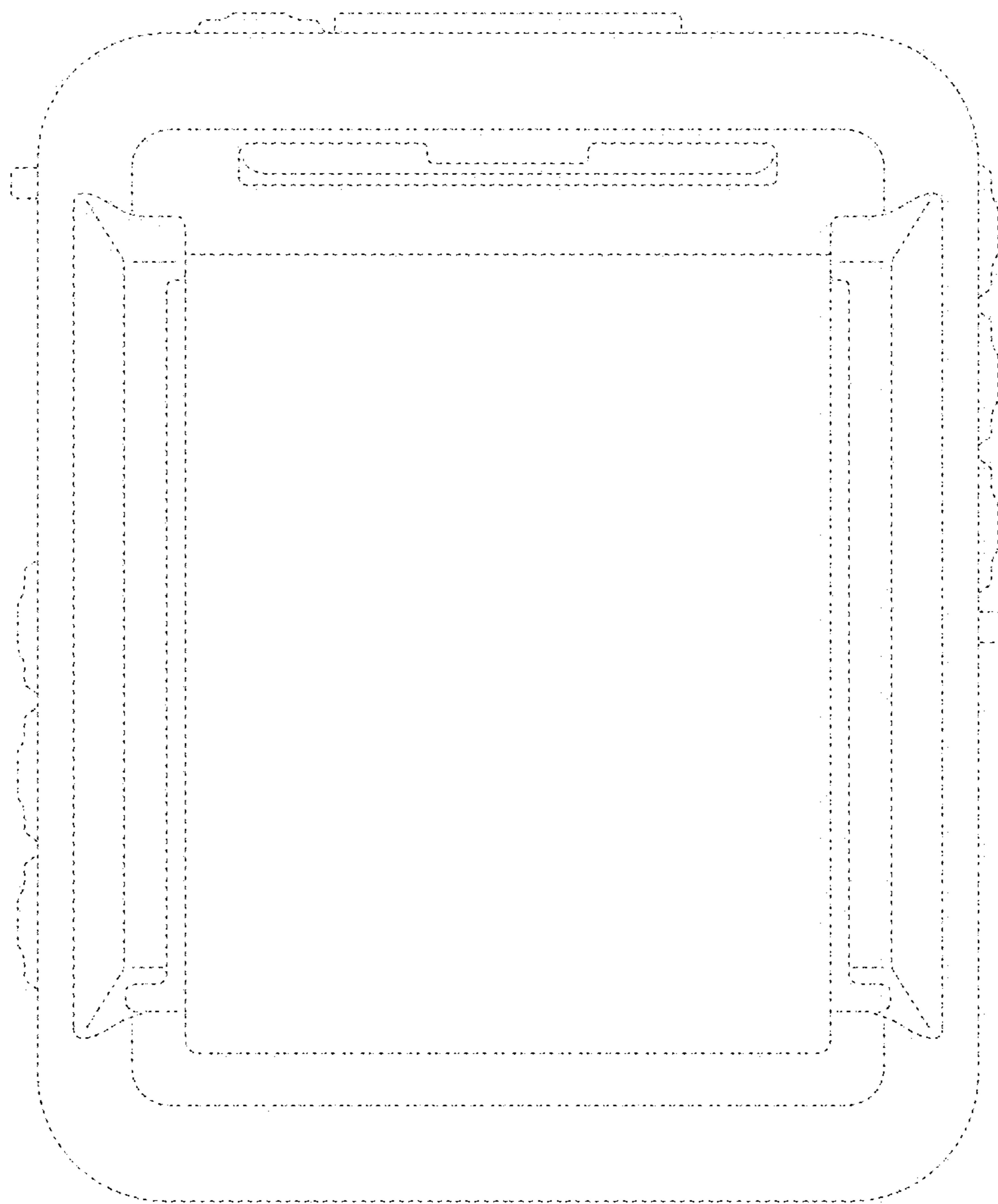


FIG. 5

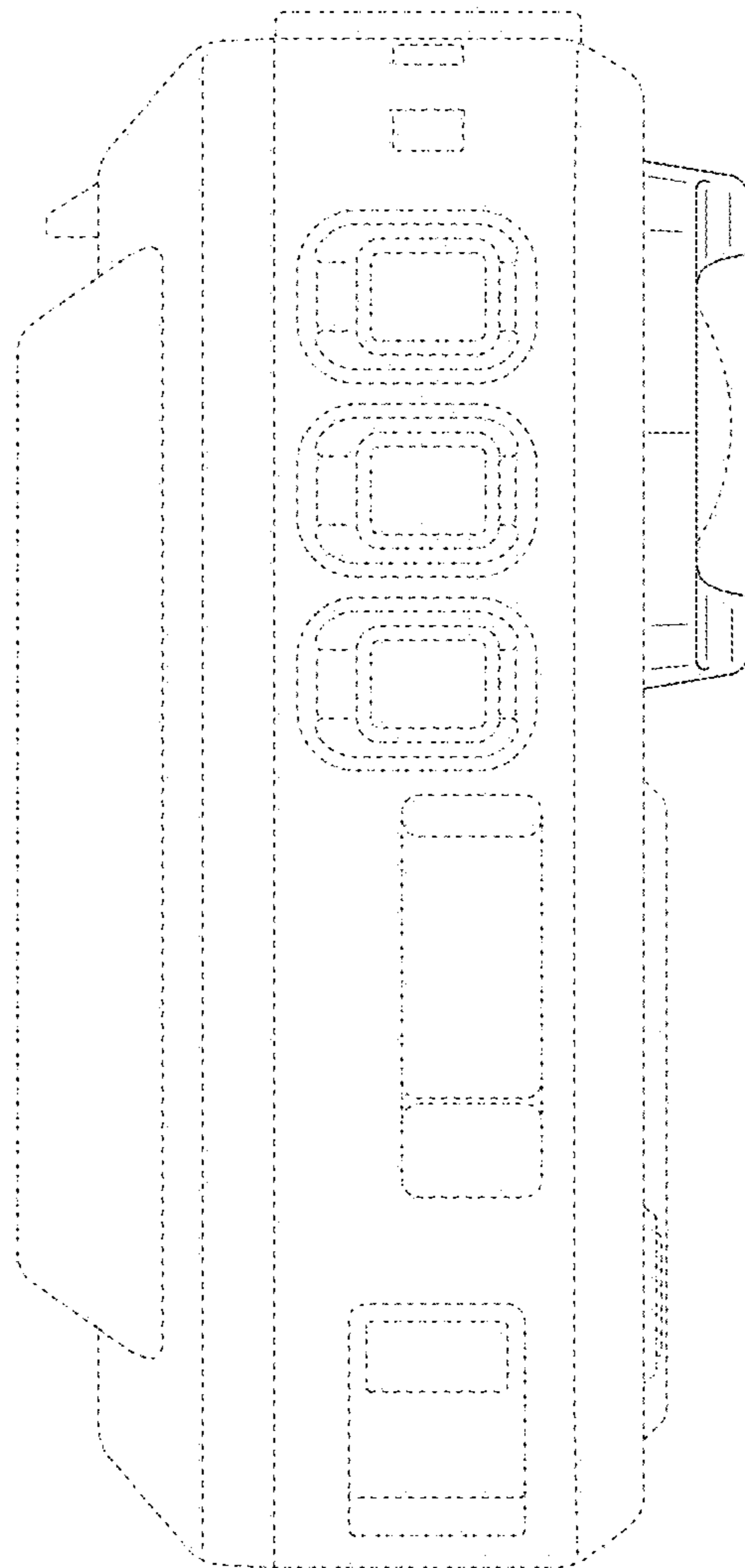


FIG. 6

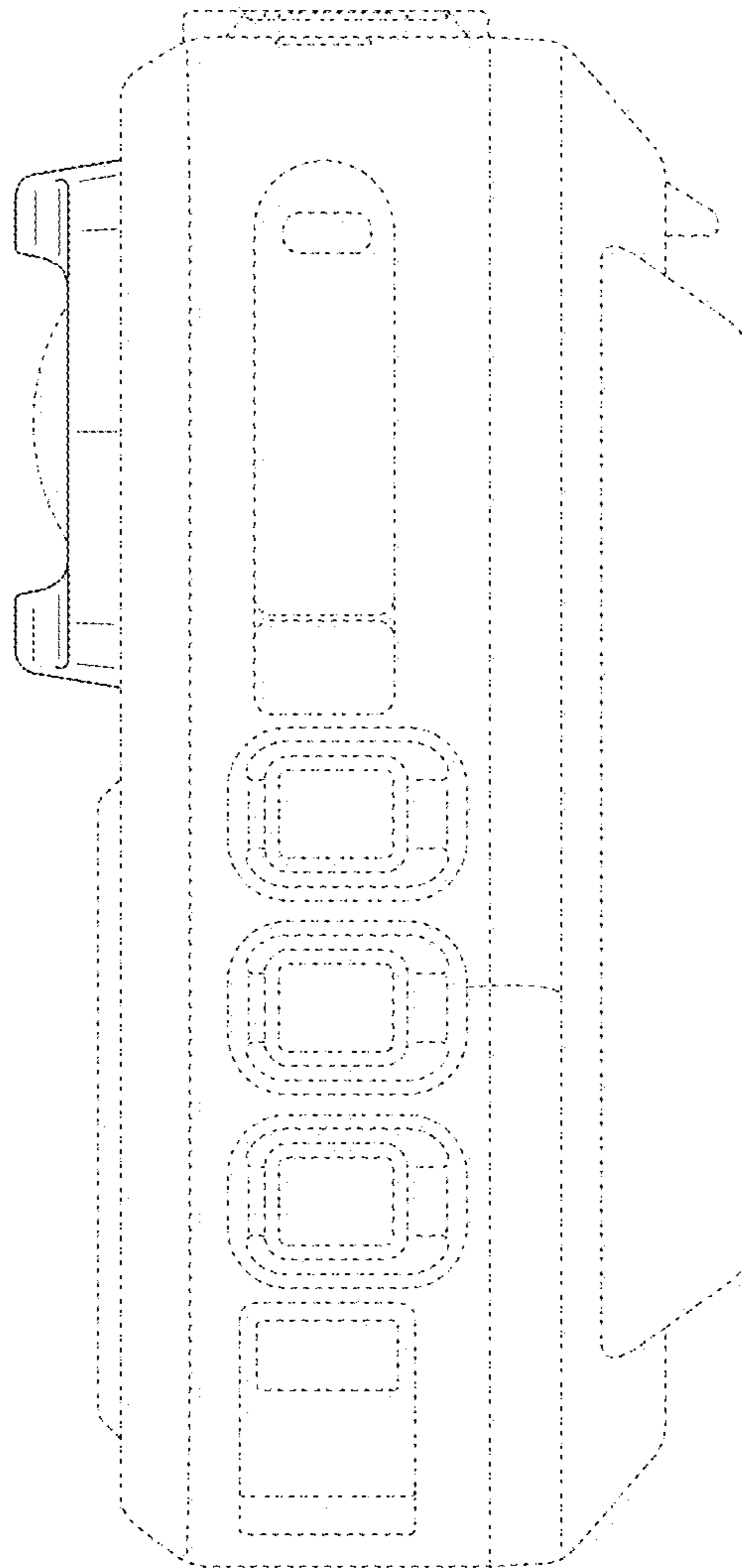


FIG. 7

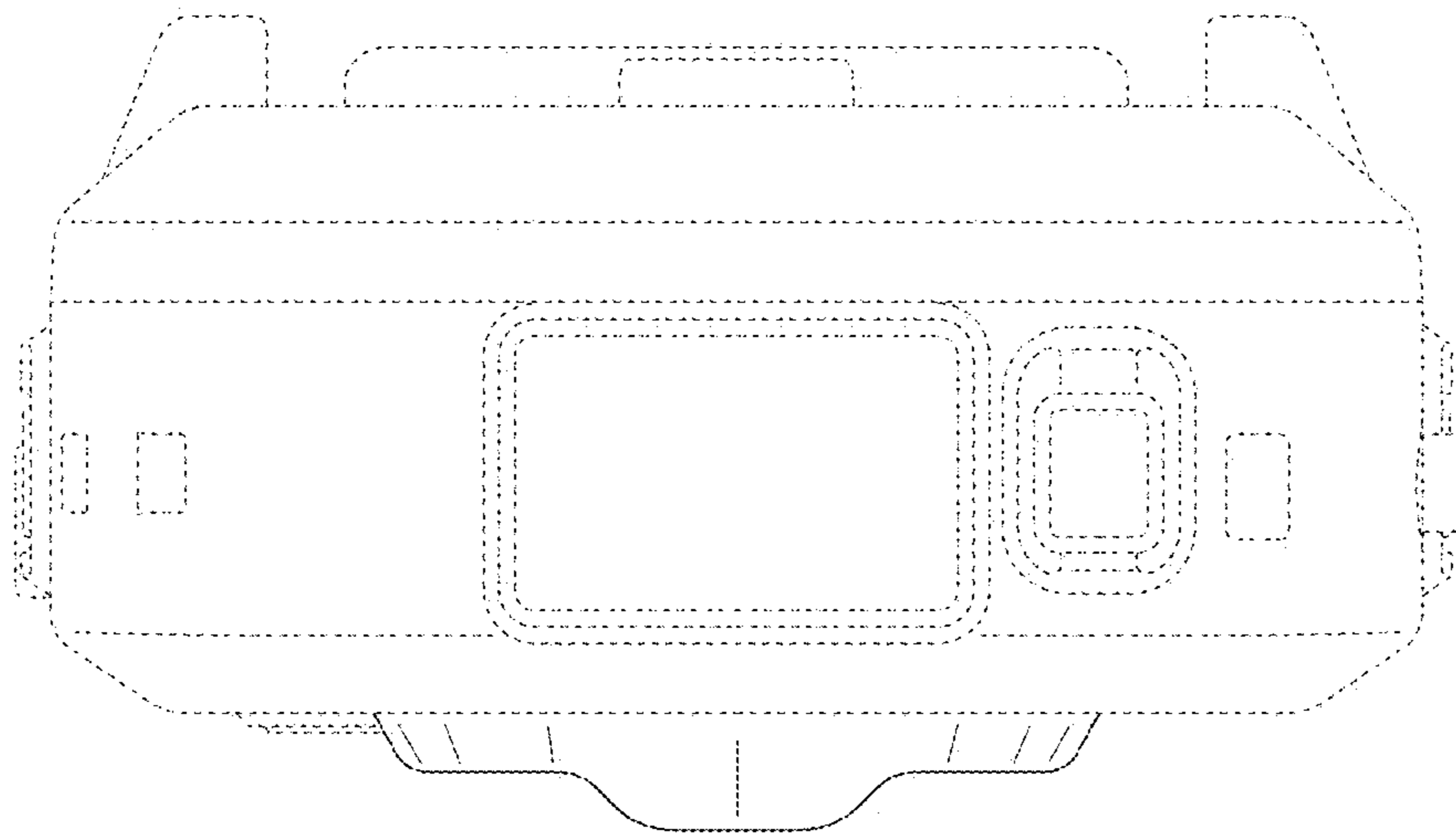


FIG. 8

