



US00D846619S

(12) **United States Design Patent**
Hu et al.

(10) **Patent No.:** **US D846,619 S**

(45) **Date of Patent:** **** Apr. 23, 2019**

(54) **CONDENSER LENS**

(71) Applicant: **Lieh-Hsiung Hu**, Taichung (TW)

(72) Inventors: **Lieh-Hsiung Hu**, Taichung (TW);
Yu-Hsiang Lin, New Taipei (TW)

(73) Assignee: **Lieh-Hsiung Hu**, Taichung (TW)

(**) Term: **15 Years**

(21) Appl. No.: **29/635,180**

(22) Filed: **Jan. 29, 2018**

(51) **LOC (11) Cl.** **16-06**

(52) **U.S. Cl.**

USPC **D16/134**

(58) **Field of Classification Search**

USPC D16/137, 135, 134, 138, 131, 132, 133,
D16/139, 200, 202–205, 218, 219, 235,
D16/242; D26/1, 2, 6, 65, 66, 68, 69, 72,
D26/74, 76, 86, 87, 88

CPC F41G 1/02; F41G 1/06

See application file for complete search history.

(56) **References Cited**

U.S. PATENT DOCUMENTS

D145,638 S *	9/1946	Rosenberg	D16/135
D191,851 S *	11/1961	E. Lazor	359/647
D206,956 S *	2/1967	E. Steward	D16/137
D485,287 S *	1/2004	Taylor	D16/135
D496,379 S *	9/2004	Do	D16/134
D619,756 S *	7/2010	Lai	D26/124

D623,212 S *	9/2010	Chen	D16/135
D630,666 S *	1/2011	Matsumoto	D16/134
D643,150 S *	8/2011	Chen	D26/124
D654,525 S *	2/2012	Lai	D16/134
D803,918 S *	11/2017	Kameda	D16/134
D804,557 S *	12/2017	Kameda	D16/134
D830,440 S *	10/2018	Mathieu	D16/134
2005/0162758 A1 *	7/2005	Tanaka	C03B 11/08 359/811

* cited by examiner

Primary Examiner — Mark A Goodwin

Assistant Examiner — Benjamin M Weeks

(74) *Attorney, Agent, or Firm* — Egbert Law Offices,
PLLC

(57) **CLAIM**

The ornamental design for a condenser lens, as shown and described.

DESCRIPTION

FIG. 1 is a perspective view of a condenser lens showing our new design;

FIG. 2 is a front elevational view thereof;

FIG. 3 is a rear elevational view thereof;

FIG. 4 is a left side view thereof;

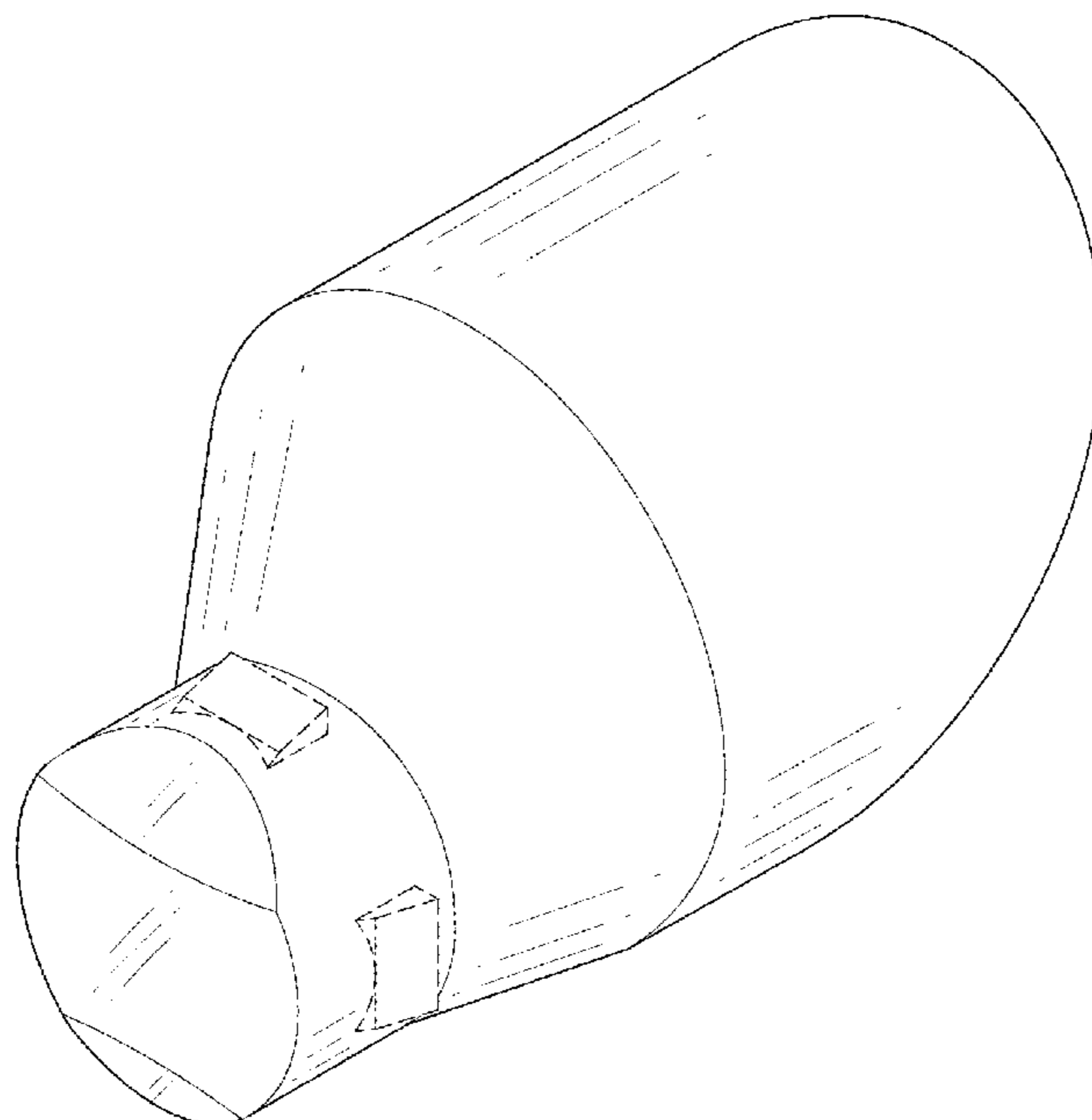
FIG. 5 is a right side view thereof;

FIG. 6 is a top plan view thereof; and,

FIG. 7 is a bottom plan view thereof.

The features presented in broken lines represent unclaimed portions of the condenser lens and form no part of the claimed design.

1 Claim, 7 Drawing Sheets



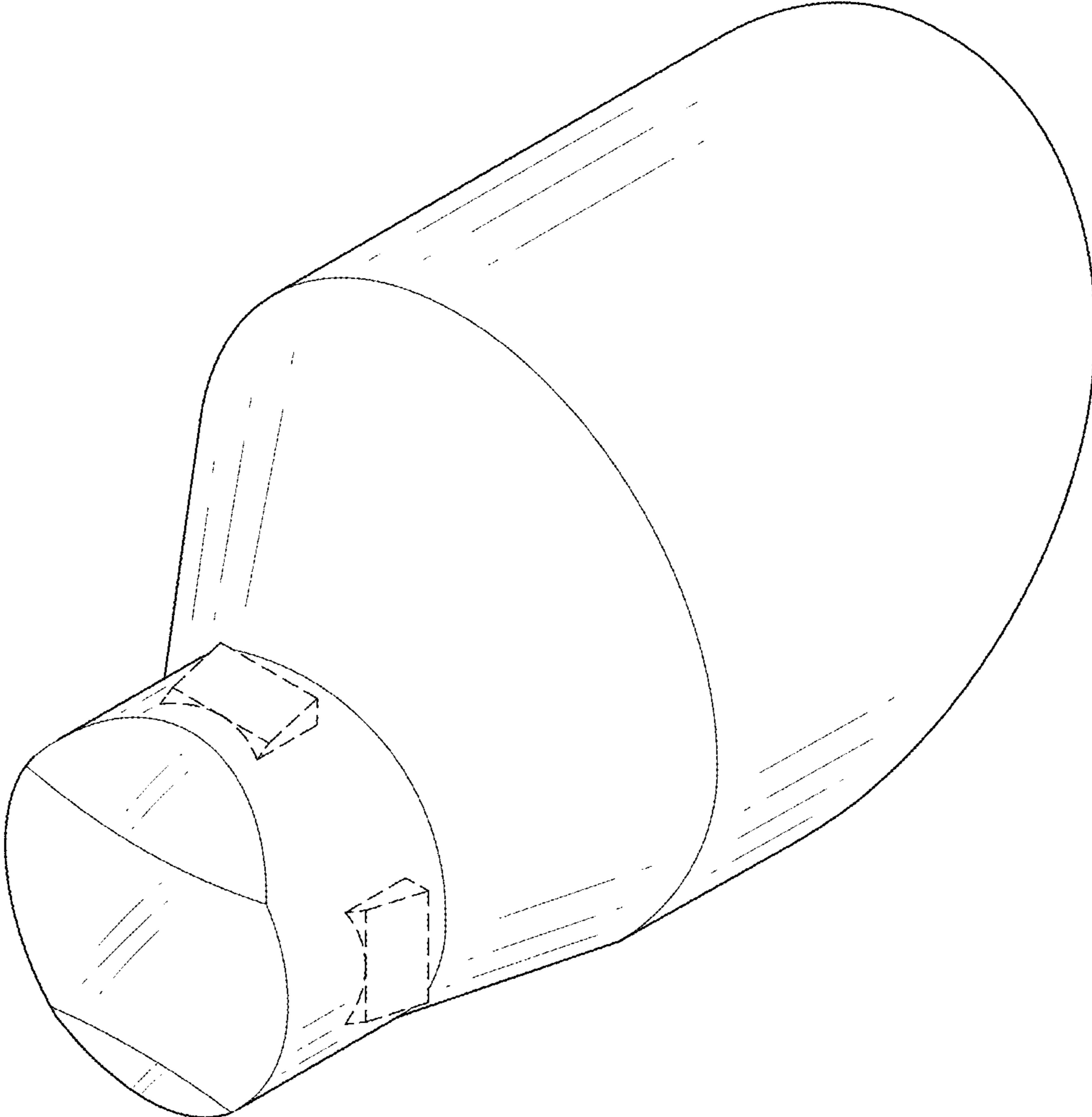


FIG. 1

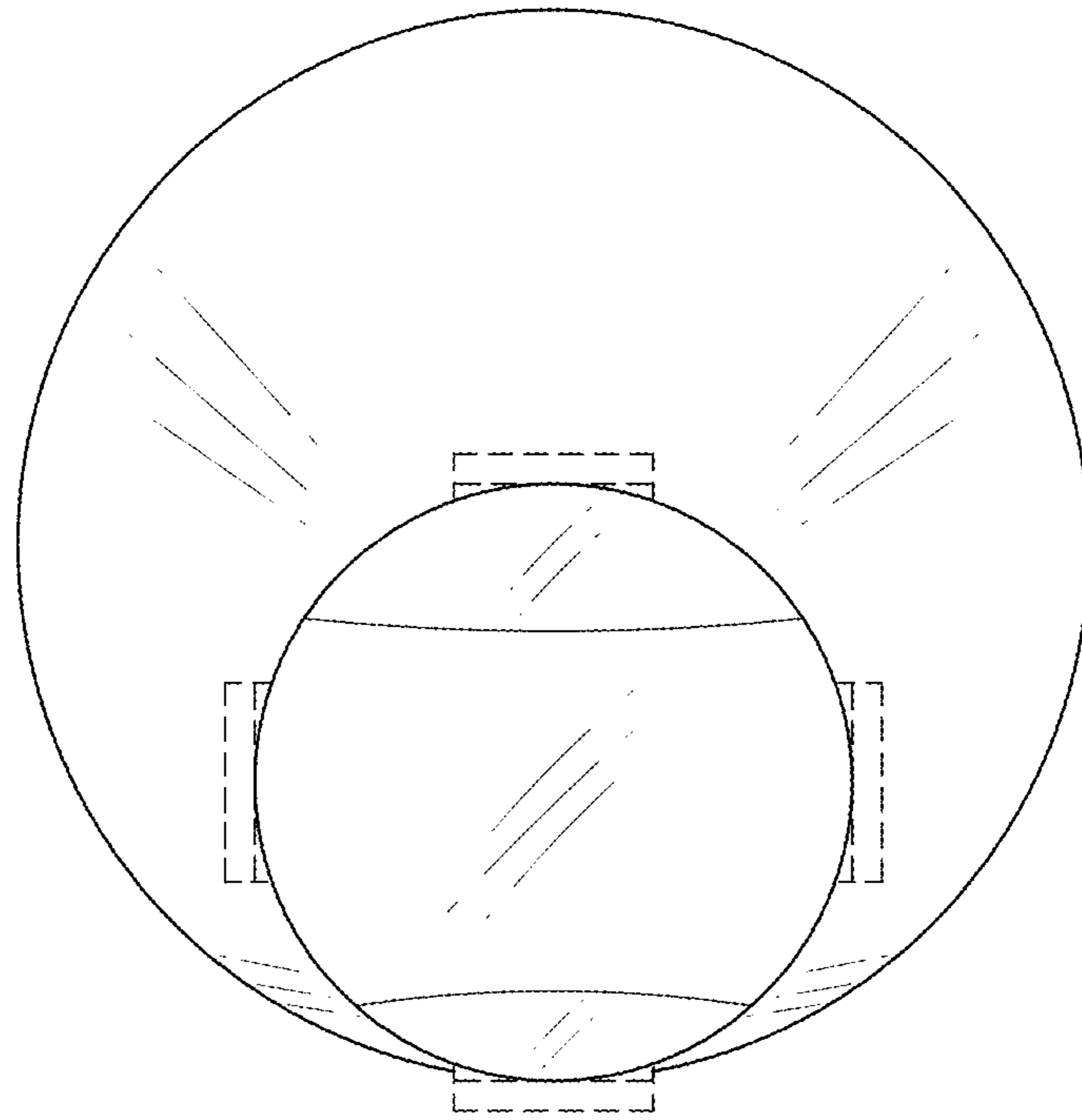


FIG. 2

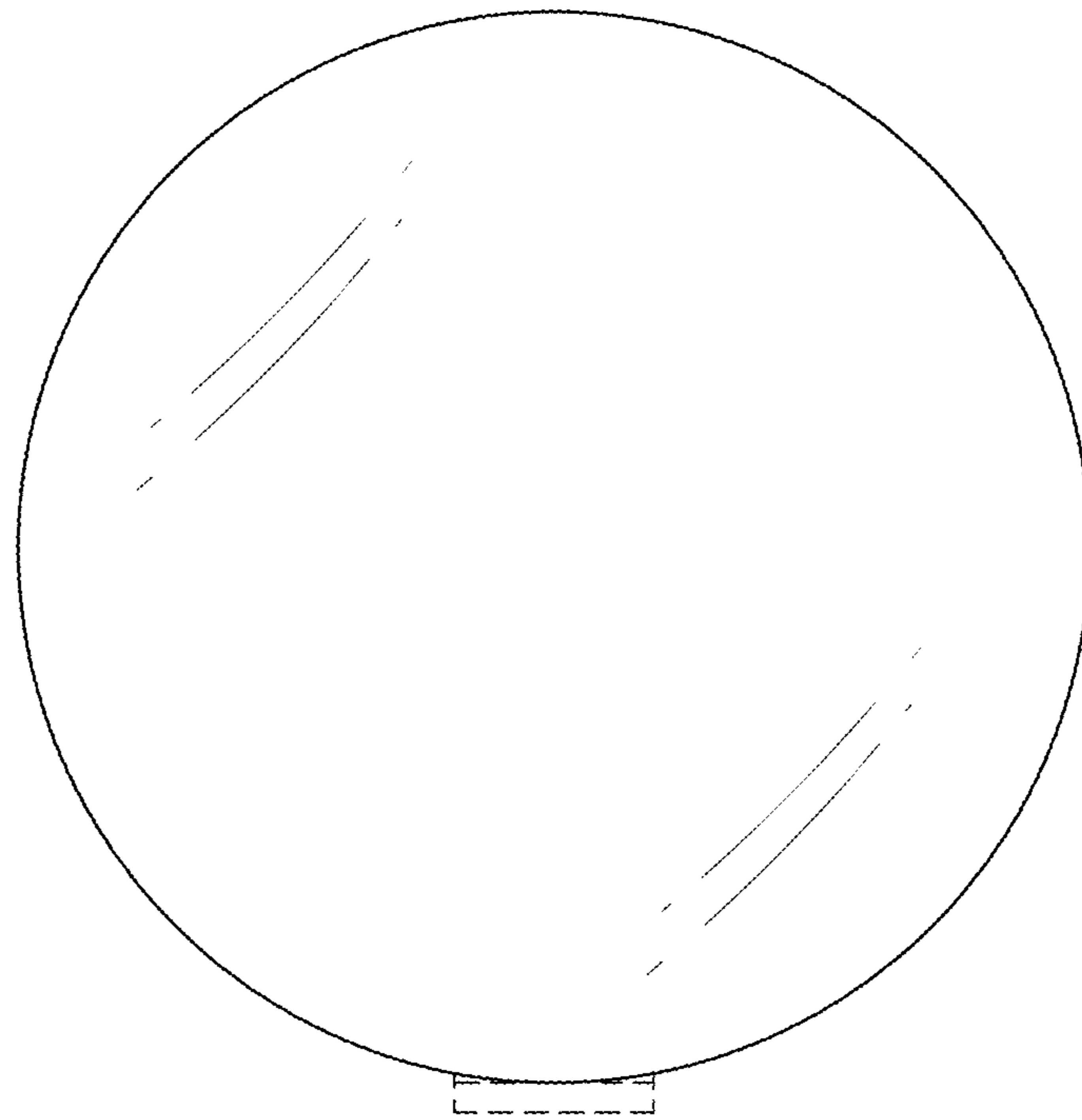


FIG. 3

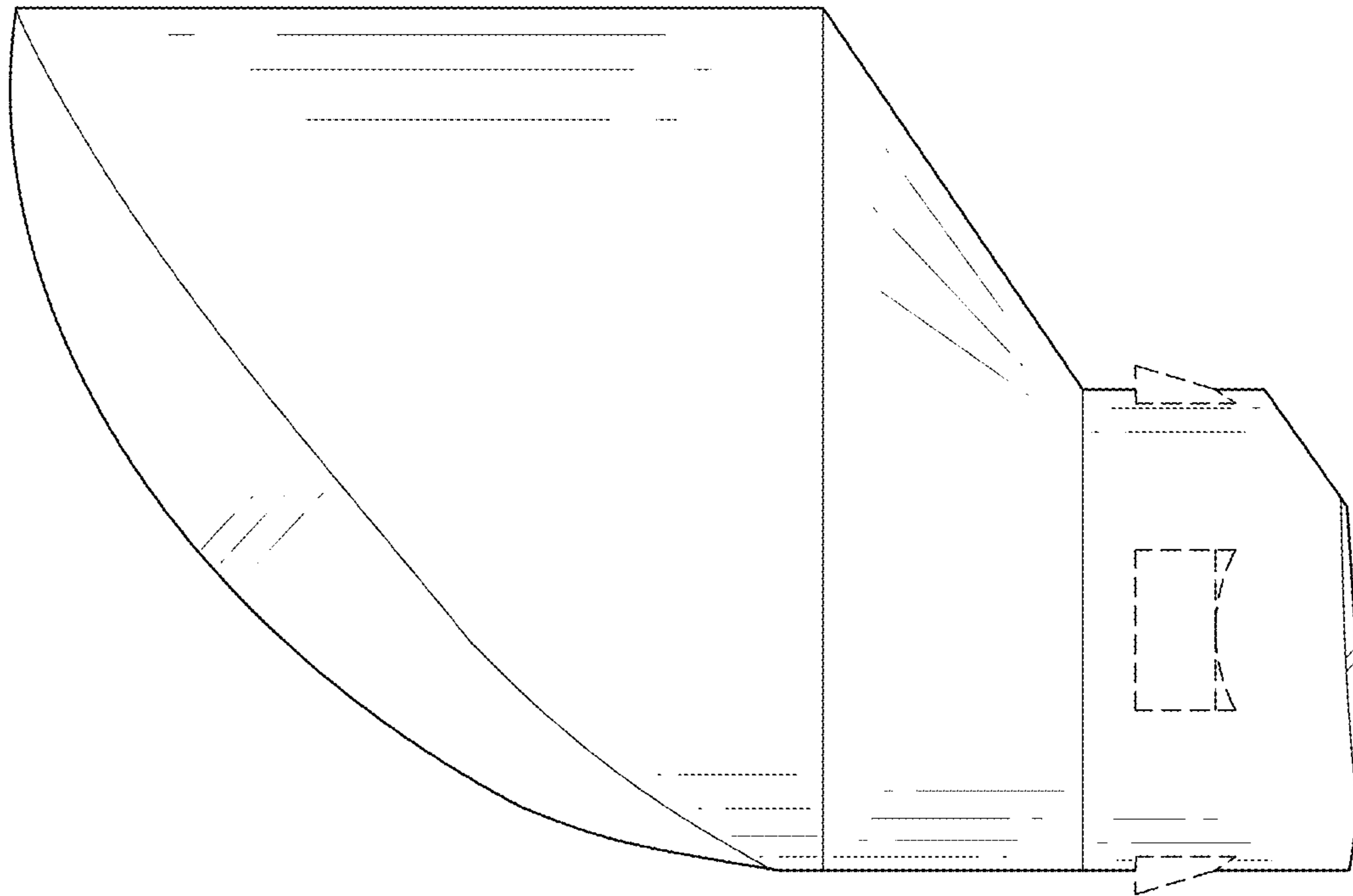


FIG. 4

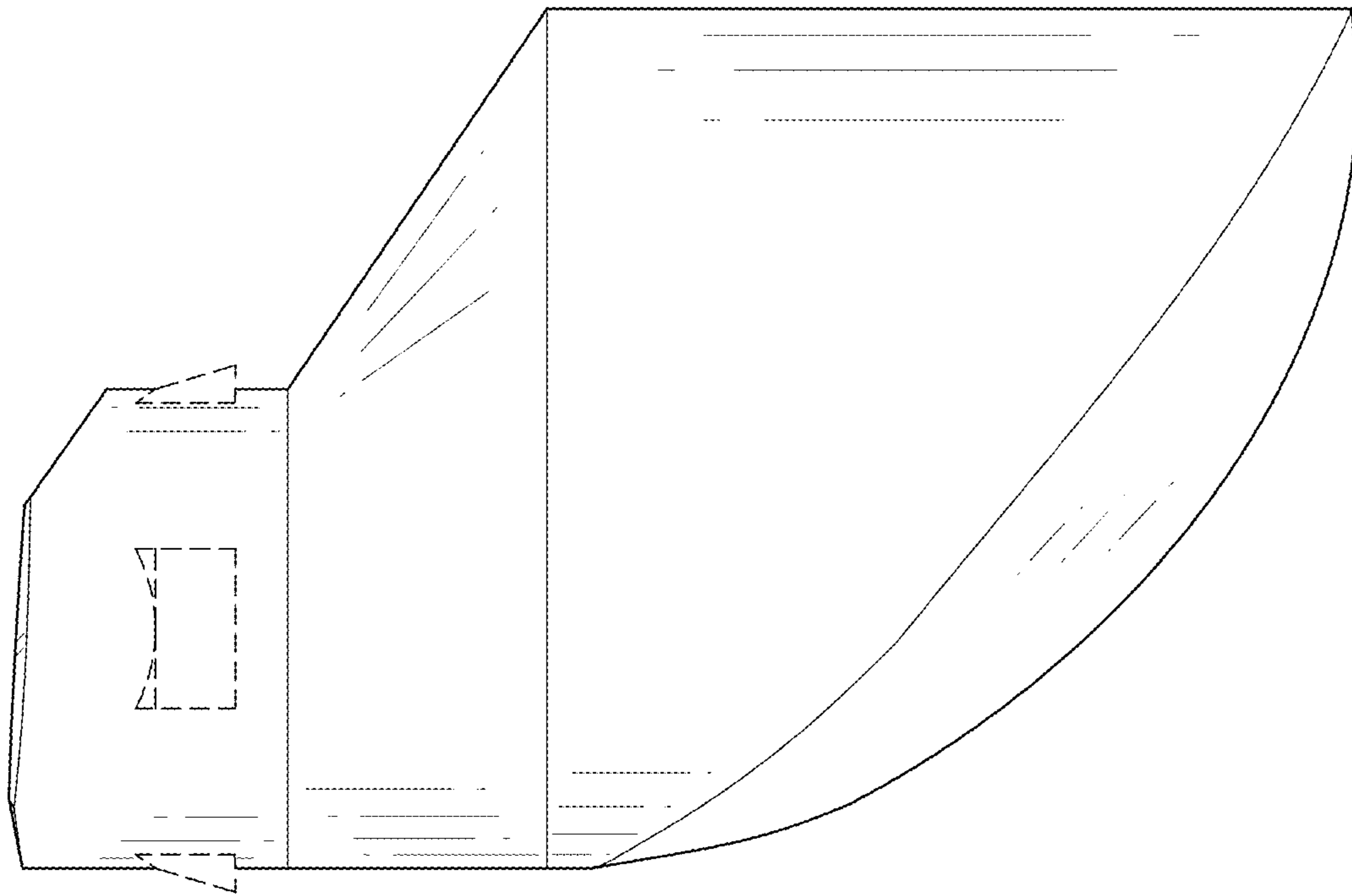


FIG. 5

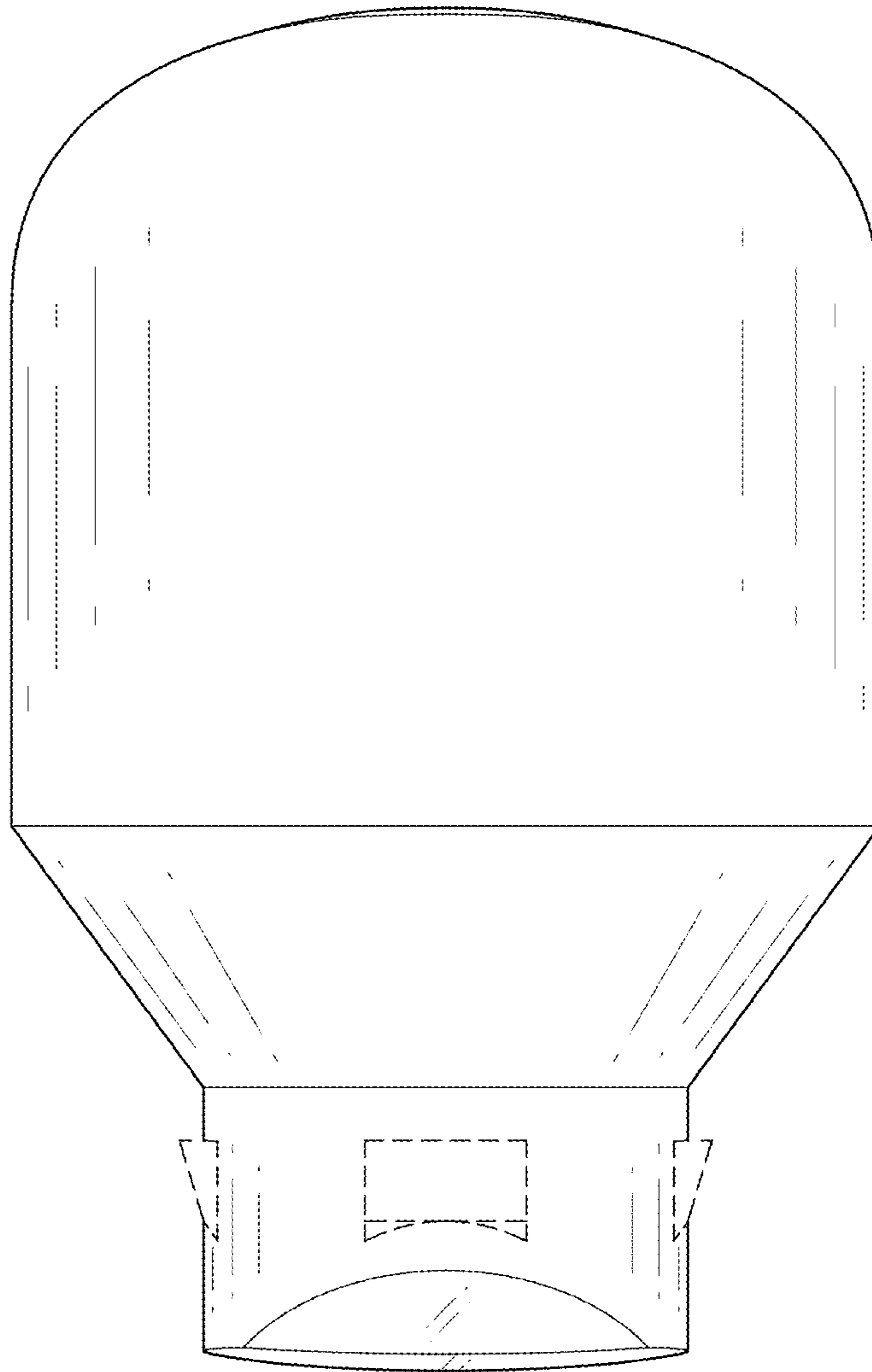


FIG. 6

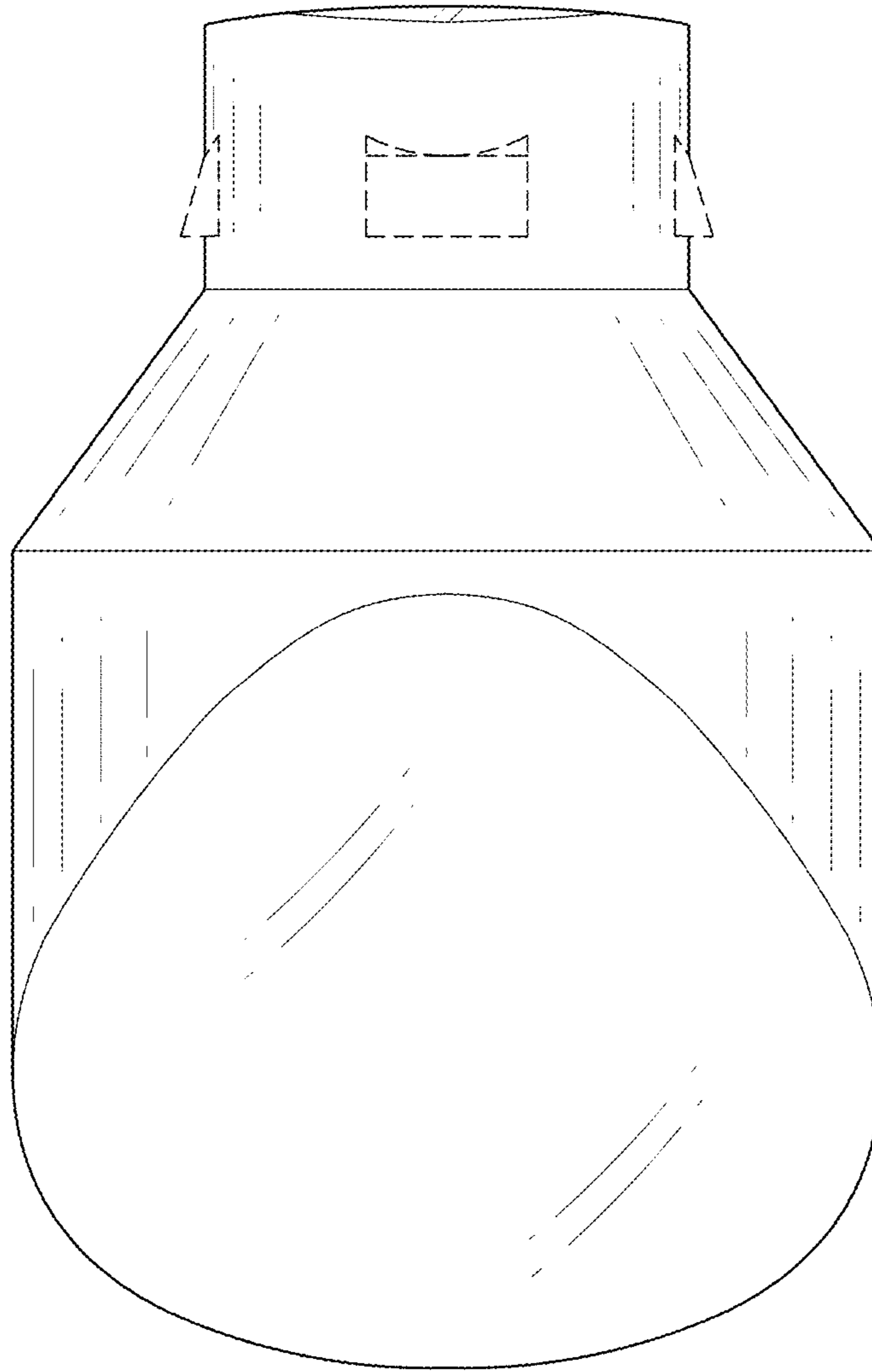


FIG. 7