



US00D846618S

(12) **United States Design Patent** (10) **Patent No.:** **US D846,618 S**
Kobayashi (45) **Date of Patent:** **** Apr. 23, 2019**

(54) **BINOCULARS**
(71) Applicant: **Nikon Vision Co., Ltd.**, Tokyo (JP)
(72) Inventor: **Tatsuya Kobayashi**, Tokyo (JP)
(73) Assignee: **Nikon Vision Co., Ltd.**, Tokyo (JP)
(**) Term: **15 Years**

D748,177 S * 1/2016 Radau D16/133
D780,243 S * 2/2017 Marsiglia D16/133
2013/0253820 A1* 9/2013 Denk G02B 23/10
701/491

(21) Appl. No.: **29/588,667**
(22) Filed: **Dec. 22, 2016**

FOREIGN PATENT DOCUMENTS

EM 002034298-0002 4/2012
JP 1439518 S 5/2012

(30) **Foreign Application Priority Data**
Jun. 27, 2016 (JP) 2016-013566
(51) **LOC (11) Cl.** **16-06**
(52) **U.S. Cl.**
USPC **D16/133**
(58) **Field of Classification Search**
USPC D16/130, 132, 133, 136; D3/267
CPC G02B 2027/0123; G02B 2027/0132; G02B
7/06; G02B 7/12; G02B 23/00; G02B
23/16; G02B 2027/0134; G02B 27/26;
G02B 23/18
See application file for complete search history.

OTHER PUBLICATIONS

Ex-Parte Quayle Office Action for U.S. Appl. No. 29/588,669, dated Nov. 30, 2018.

* cited by examiner

Primary Examiner — Mark A Goodwin
Assistant Examiner — Benjamin M Weeks
(74) *Attorney, Agent, or Firm* — Wolf, Greenfield & Sacks, P.C.

(56) **References Cited**

U.S. PATENT DOCUMENTS

D492,335 S * 6/2004 Watanabe D16/133
D567,275 S * 4/2008 Hayamizu D16/133
D590,855 S * 4/2009 Watanabe D16/133
D590,857 S * 4/2009 Fujii D16/133
D623,676 S * 9/2010 Yanagisawa D16/133
D646,311 S * 10/2011 Hoelbl D16/133
D662,119 S * 6/2012 Hoshi D16/133
8,325,415 B2 12/2012 Hengst et al.
D687,081 S * 7/2013 Radau D16/133
D700,643 S * 3/2014 Yokoi D16/133
D713,437 S * 9/2014 Soejima D16/133
8,867,128 B2 10/2014 Rivkin et al.

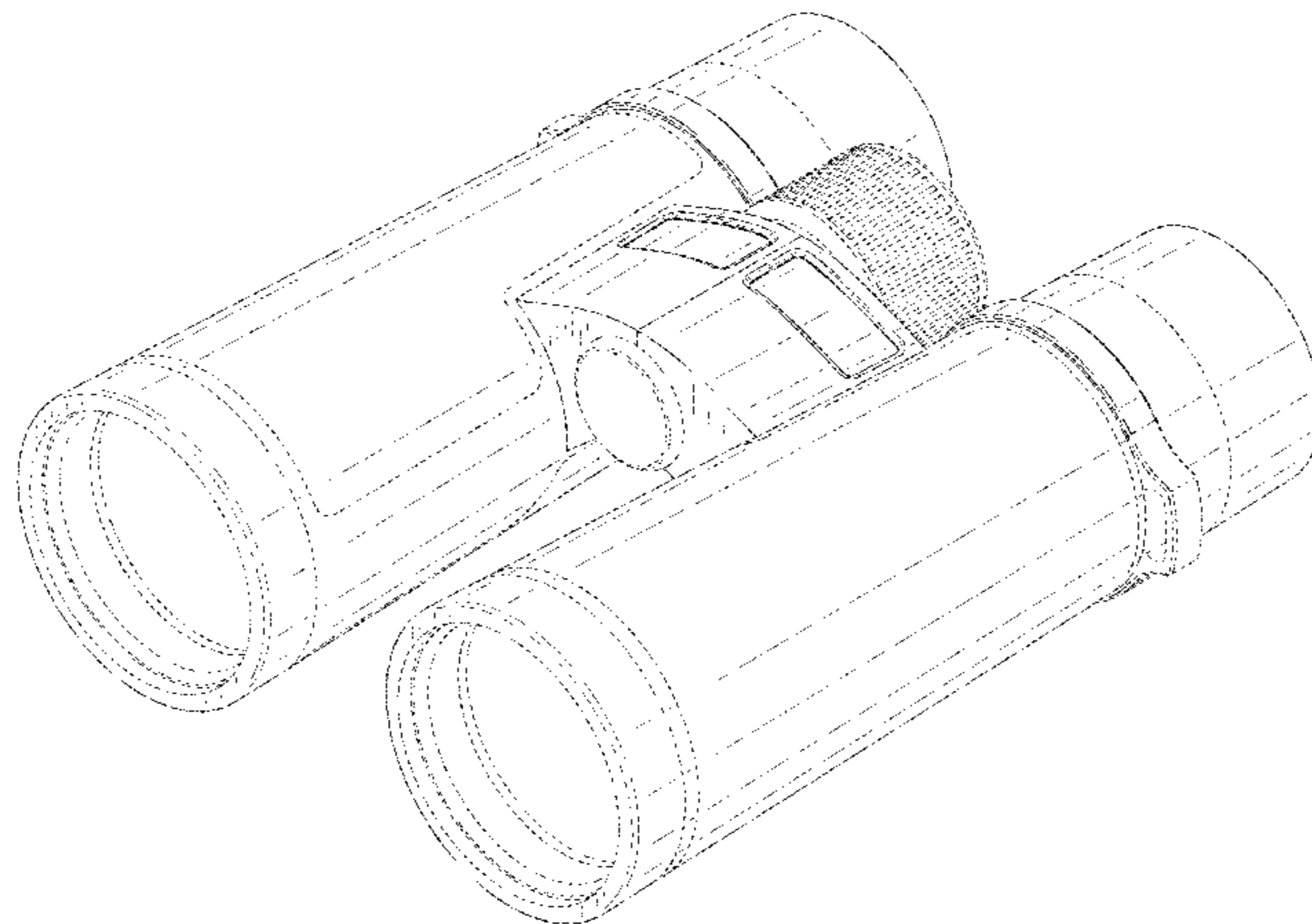
(57) **CLAIM**

The ornamental design for binoculars, as shown and described.

DESCRIPTION

FIG. 1 is a front, top, and left side perspective view of binoculars showing my new design;
FIG. 2 is a rear, bottom, and right side perspective view thereof;
FIG. 3 is a front view thereof, the rear view being a mirror image of FIG. 3;
FIG. 4 is a top plan view thereof;
FIG. 5 is a bottom plan view thereof;
FIG. 6 is a right side view thereof; and,
FIG. 7 is a left side view thereof.
The features shown in broken lines in the drawings form no part of the claimed design. The dashed-dotted lines in the drawings denote boundaries of the claim and form no part of the claimed design. The unshaded areas bounded by broken lines form no part of the claimed design.

1 Claim, 7 Drawing Sheets



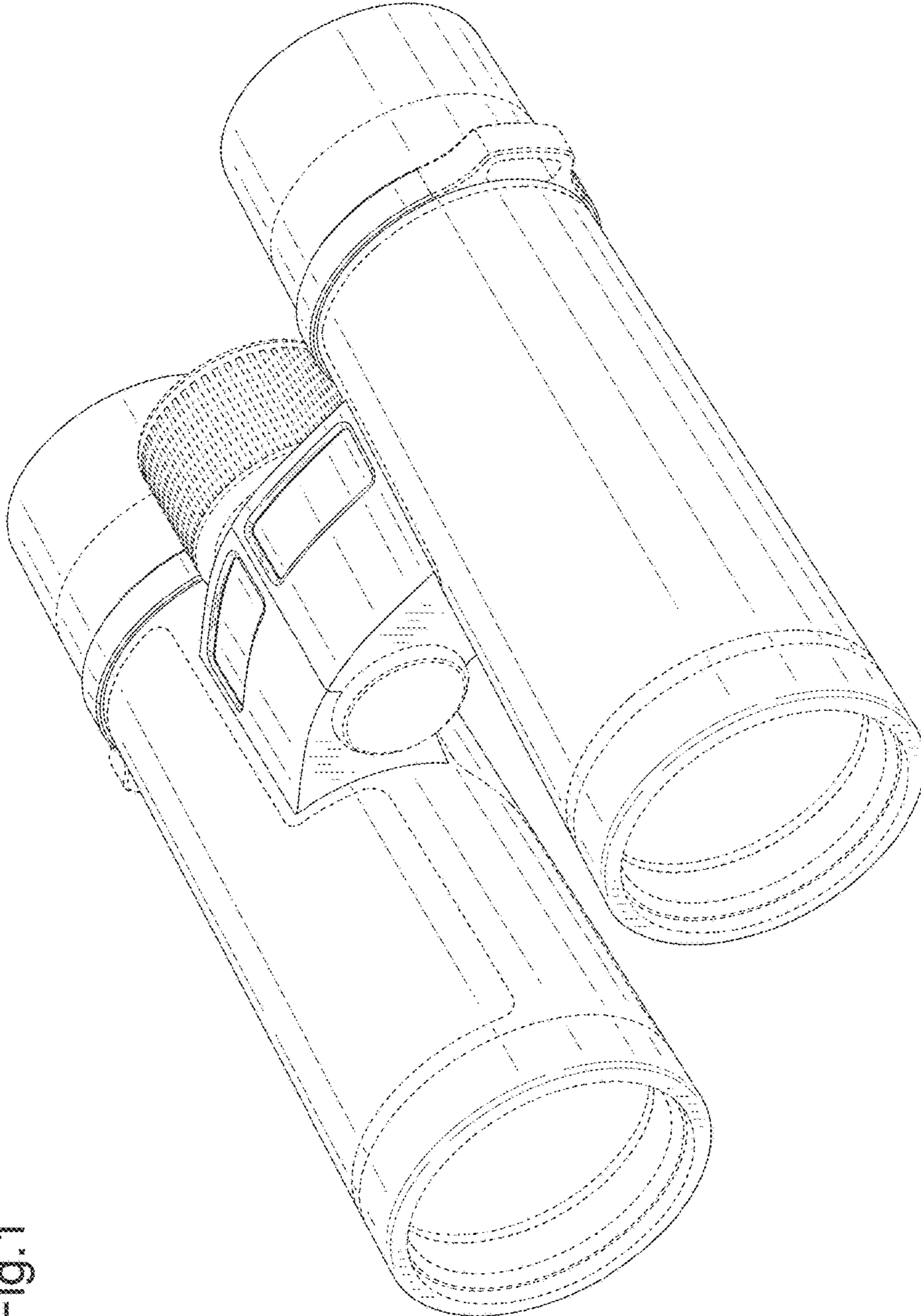


Fig.1

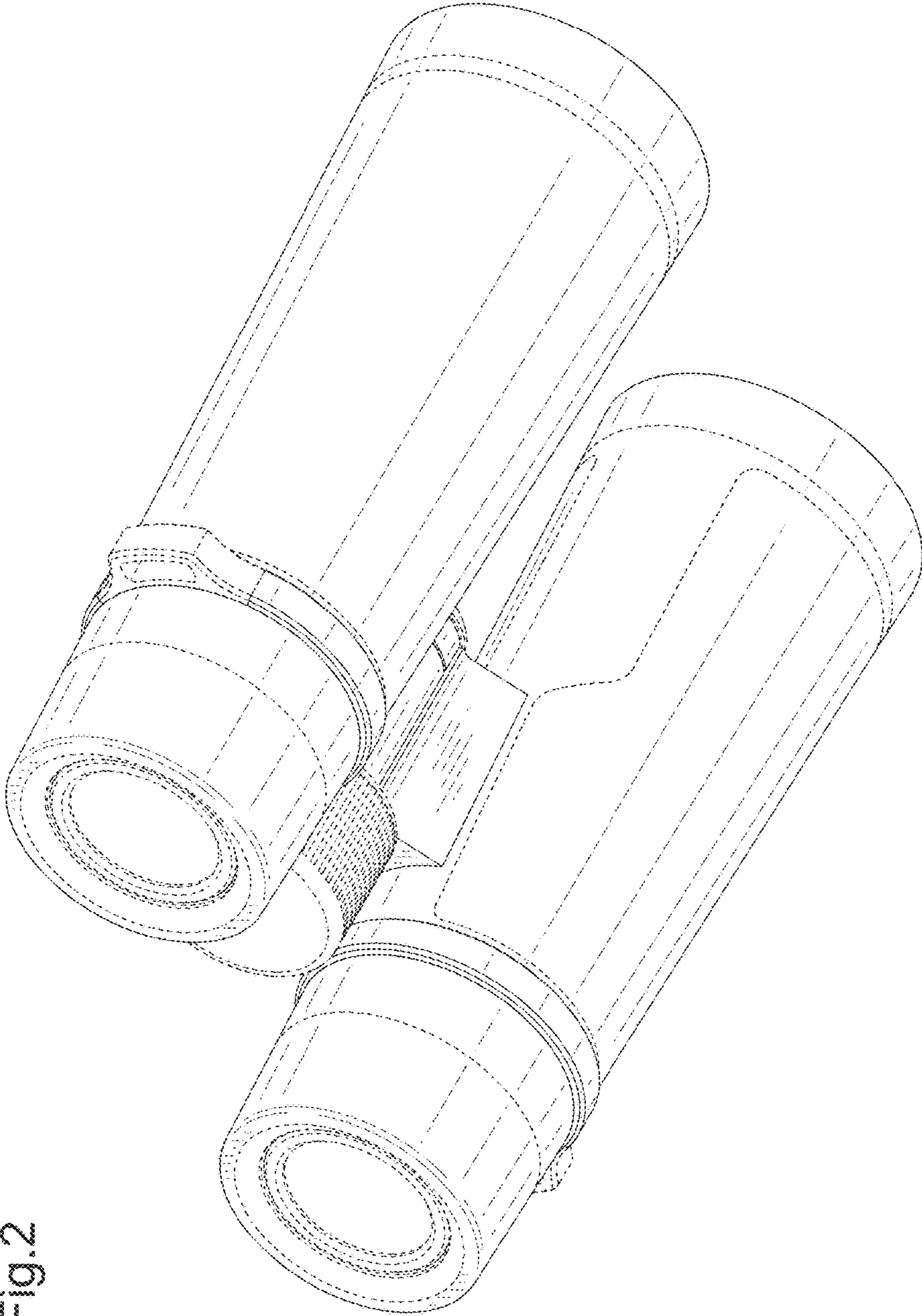


Fig.2

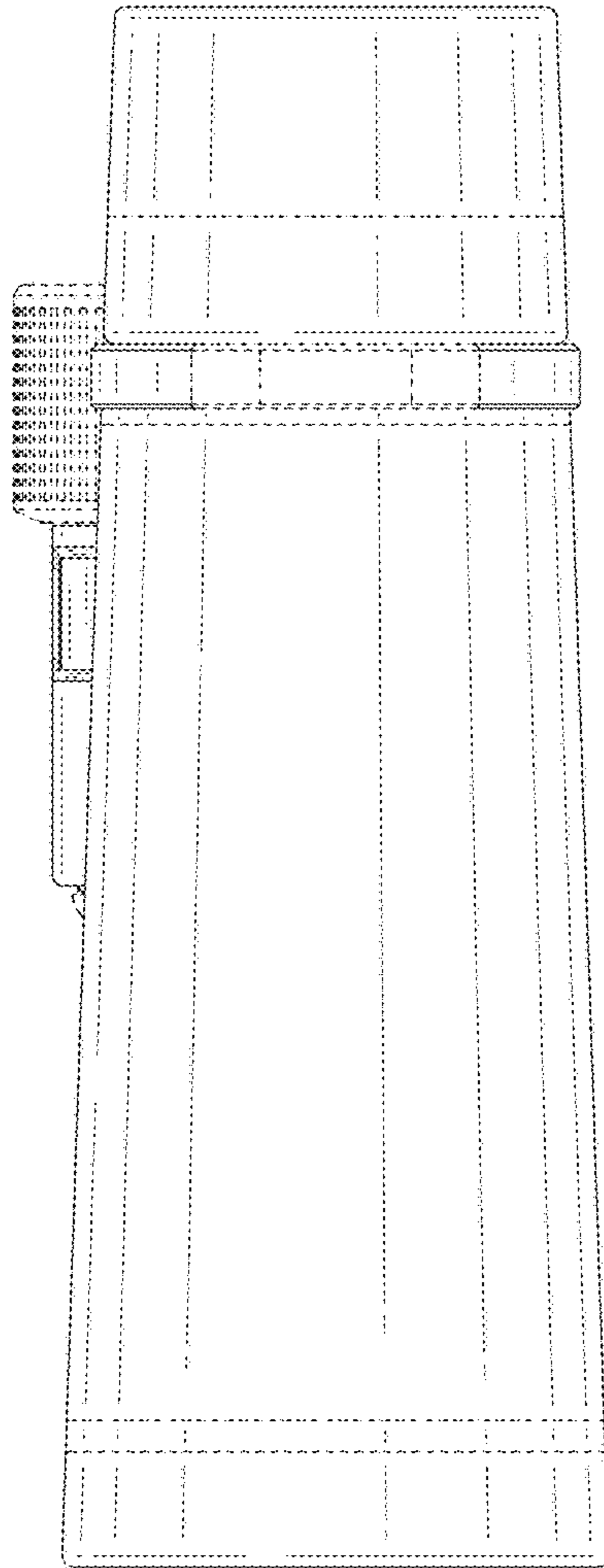


Fig.3

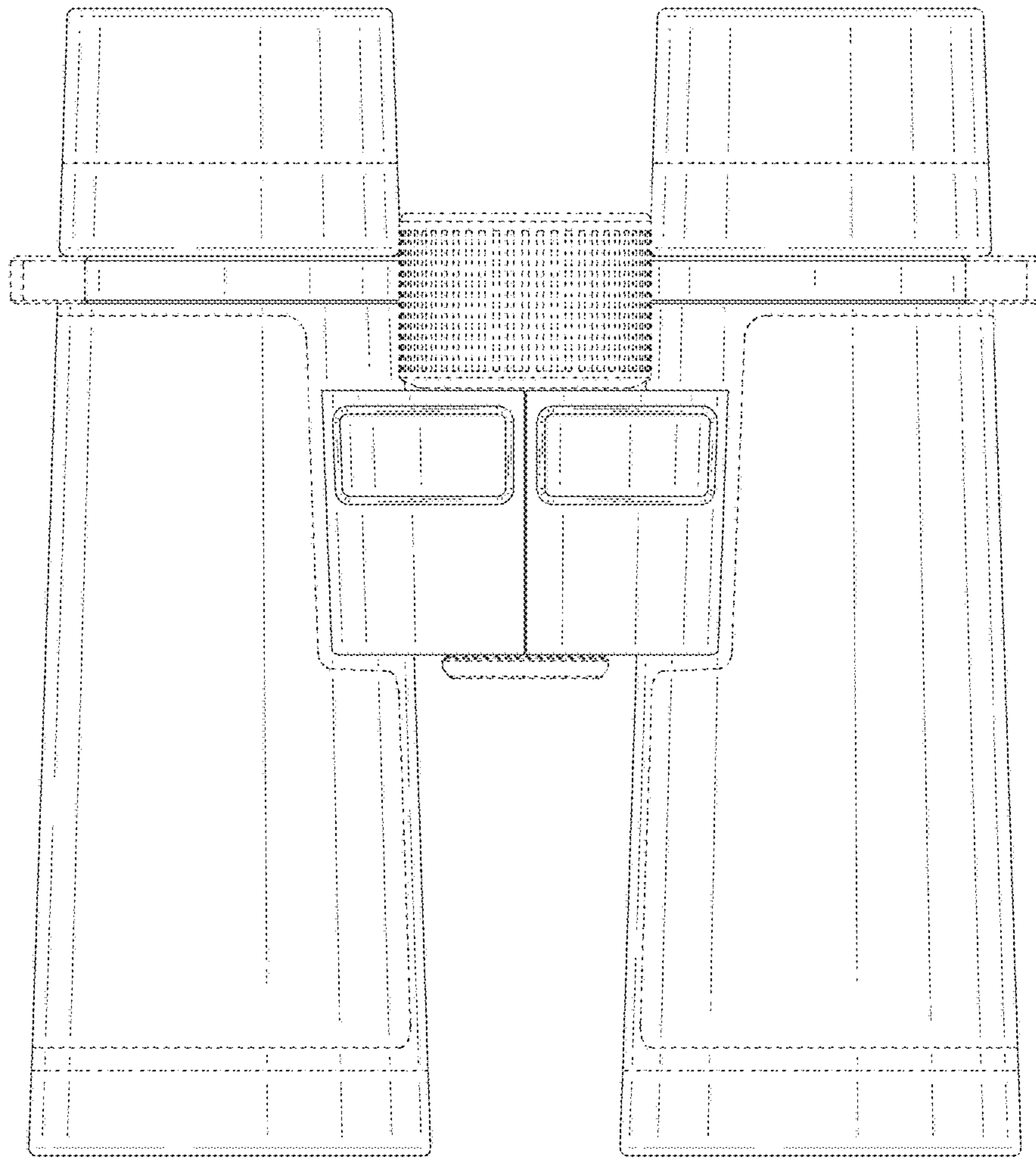


Fig.4

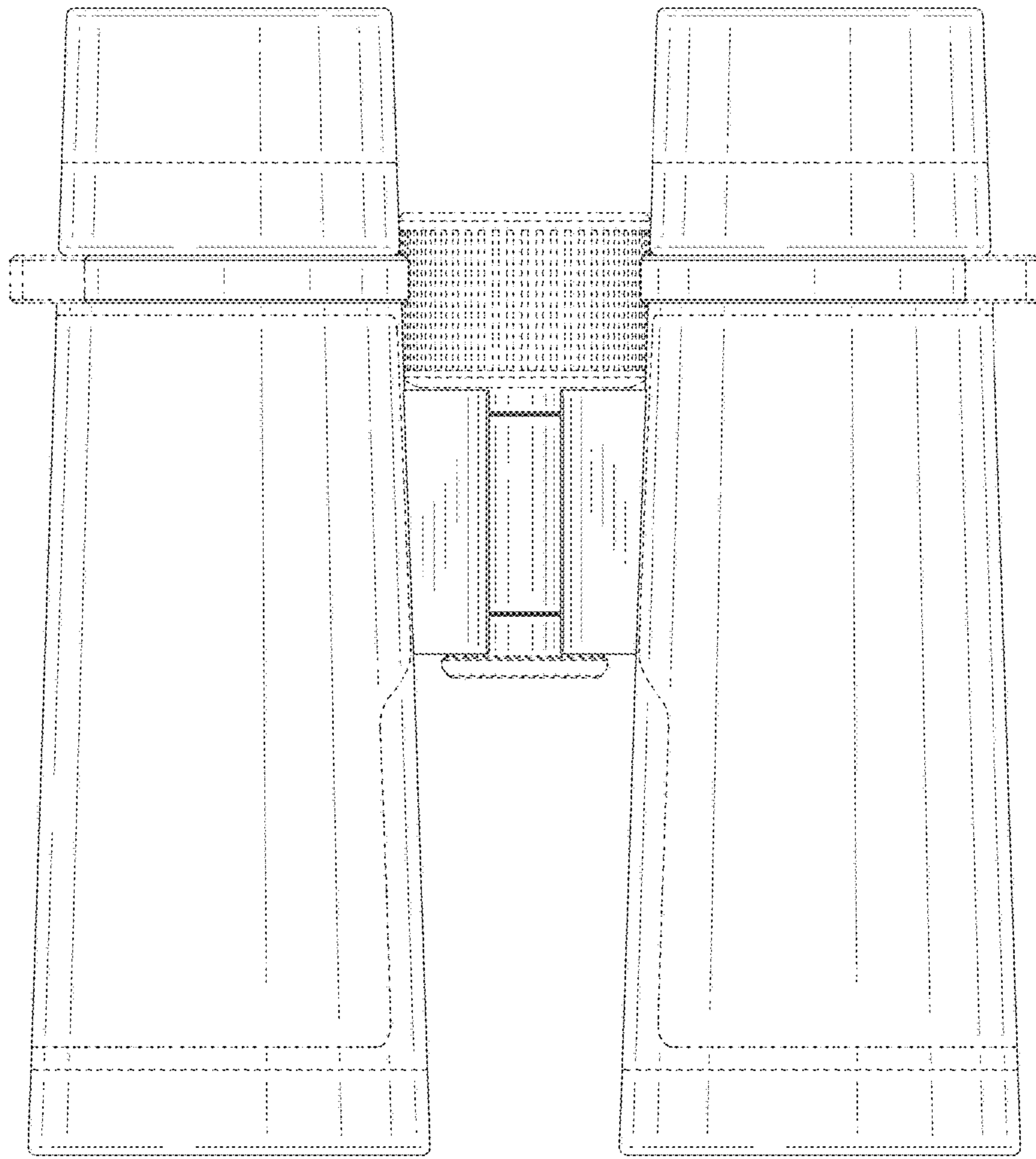


Fig. 5

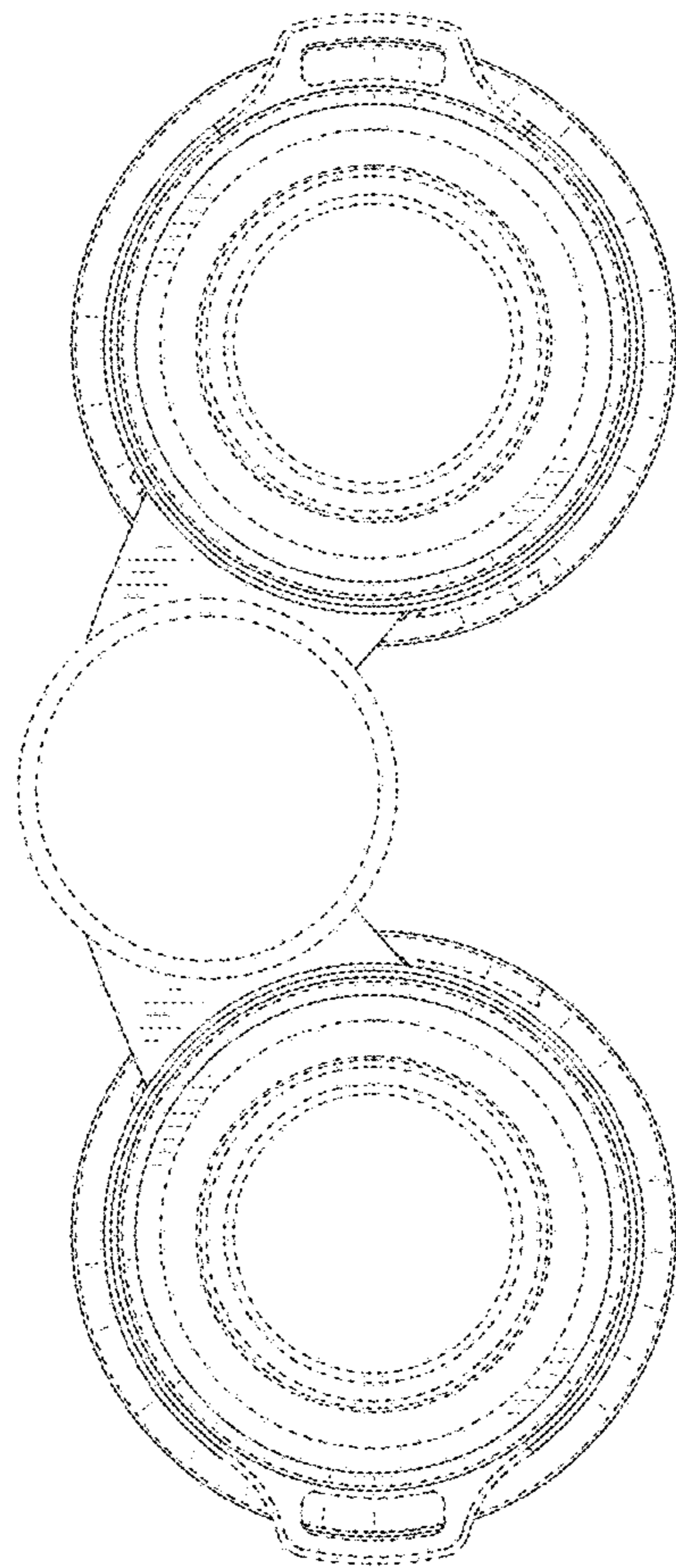


Fig.6

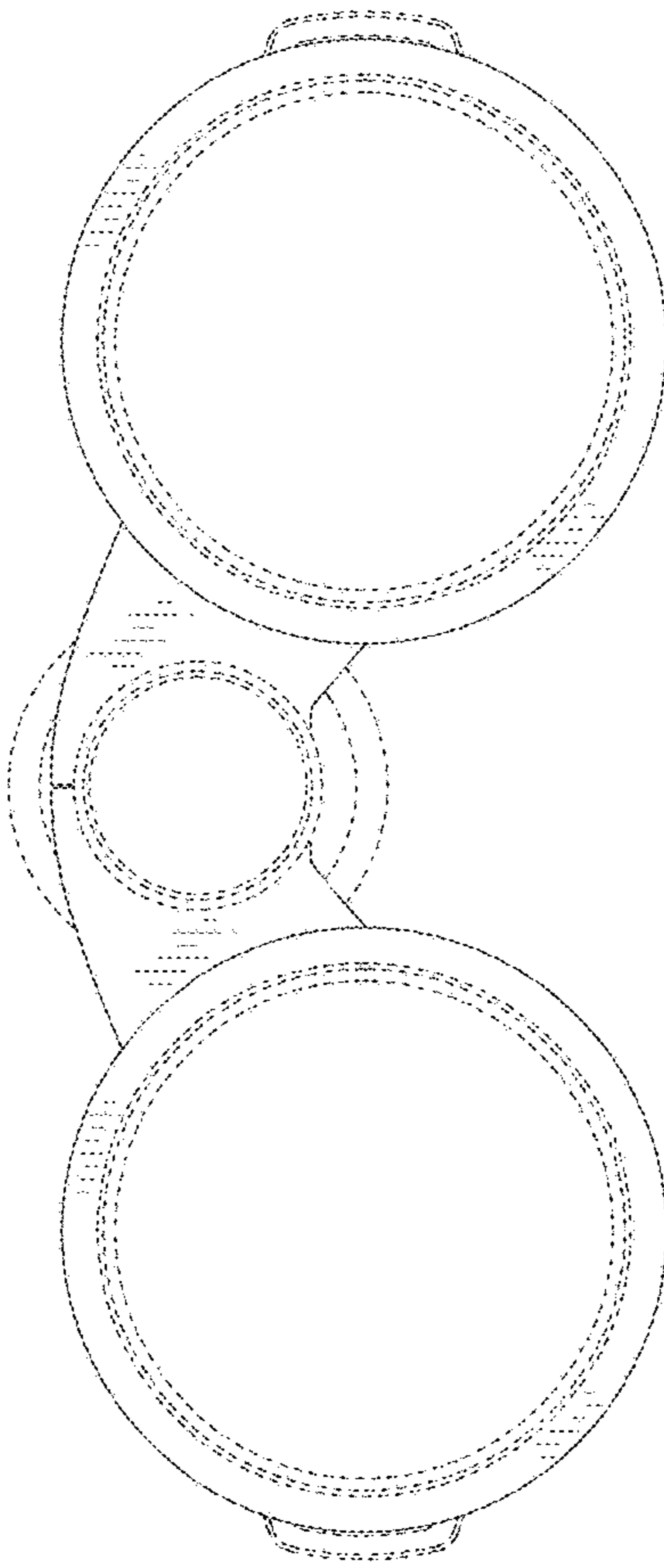


Fig.7