



US00D846611S

(12) **United States Design Patent**
Chi

(10) **Patent No.:** **US D846,611 S**

(45) **Date of Patent:** **** Apr. 23, 2019**

(54) **HEATING MODULE OF A HOT PRESSING EQUIPMENT**

6,547,550 B1 * 4/2003 Guenther B28B 3/24
419/60
D577,752 S * 9/2008 McDaniel D15/140
D588,431 S * 3/2009 Fukano D8/72

(71) Applicant: **PROGRESS Y&Y CORP.**, New Taipei (TW)

* cited by examiner

(72) Inventor: **Ming-Chih Chi**, New Taipei (TW)

Primary Examiner — Garth Rademaker
Assistant Examiner — Fritzgerald L Butac

(73) Assignee: **PROGRESS Y&Y CORP.**, New Taipei (TW)

(74) *Attorney, Agent, or Firm* — Guice Patents PLLC

(**) Term: **15 Years**

(57) **CLAIM**

The ornamental design for a heating module of a hot pressing equipment, as shown and described.

(21) Appl. No.: **29/619,493**

DESCRIPTION

(22) Filed: **Sep. 29, 2017**

(51) **LOC (11) Cl.** **15-09**

(52) **U.S. Cl.**
USPC **D15/144**

(58) **Field of Classification Search**
USPC D8/29, 30; D10/83, 87; D13/123, 133;
D15/122, 126, 128, 135, 136, 140, 144,
D15/144.1, 144.2, 146
CPC .. A61K 36/185; A61K 2236/37; B30B 9/047;
B30B 15/34
See application file for complete search history.

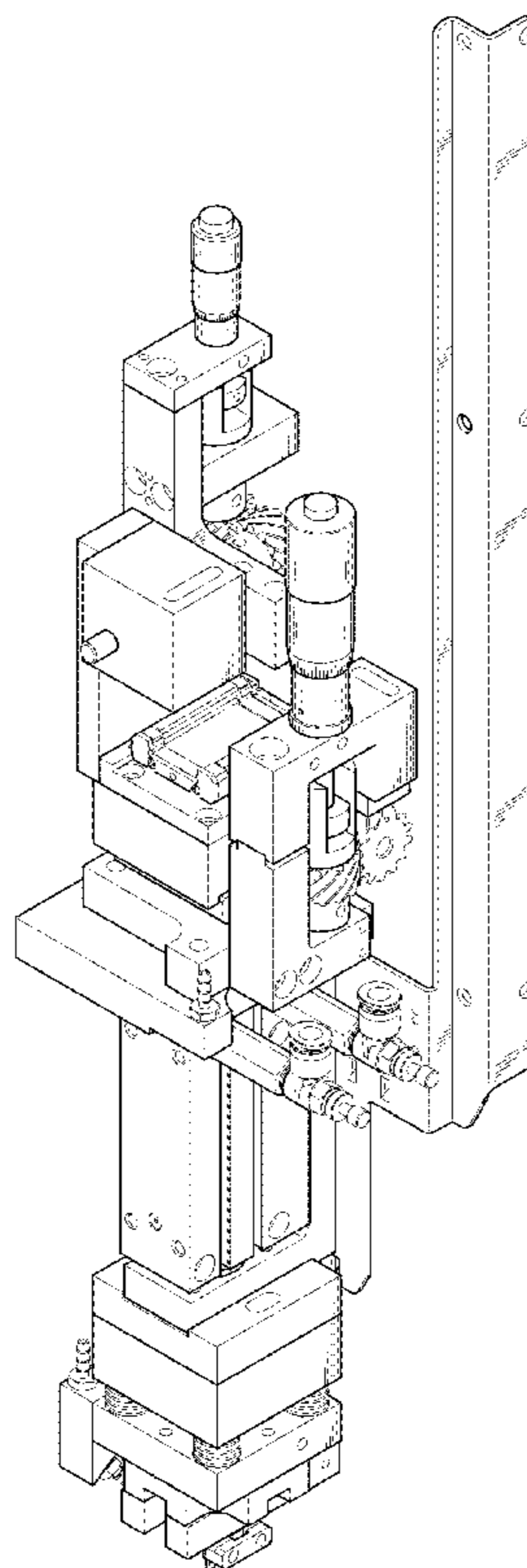
FIG. 1 is a perspective view showing my new design for a heating module of a hot pressing equipment;
FIG. 2 is a front elevation view thereof;
FIG. 3 is a rear elevation view thereof;
FIG. 4 is a left side elevation view thereof;
FIG. 5 is a right side elevation view thereof;
FIG. 6 is a top plan view thereof;
FIG. 7 is a bottom plan view thereof;
FIG. 8 is a perspective view showing from the bottom thereof; and,
FIG. 9 is a perspective view showing the status of use.
The broken lines in FIGS. 2-7 show portions of a heating module of a hot pressing equipment form no part of the claimed design.
The broken lines in FIG. 9 show environmental structure and form no part of the claimed design.

(56) **References Cited**

U.S. PATENT DOCUMENTS

3,372,212 A * 3/1968 Gayet C01G 43/025
219/656

1 Claim, 8 Drawing Sheets



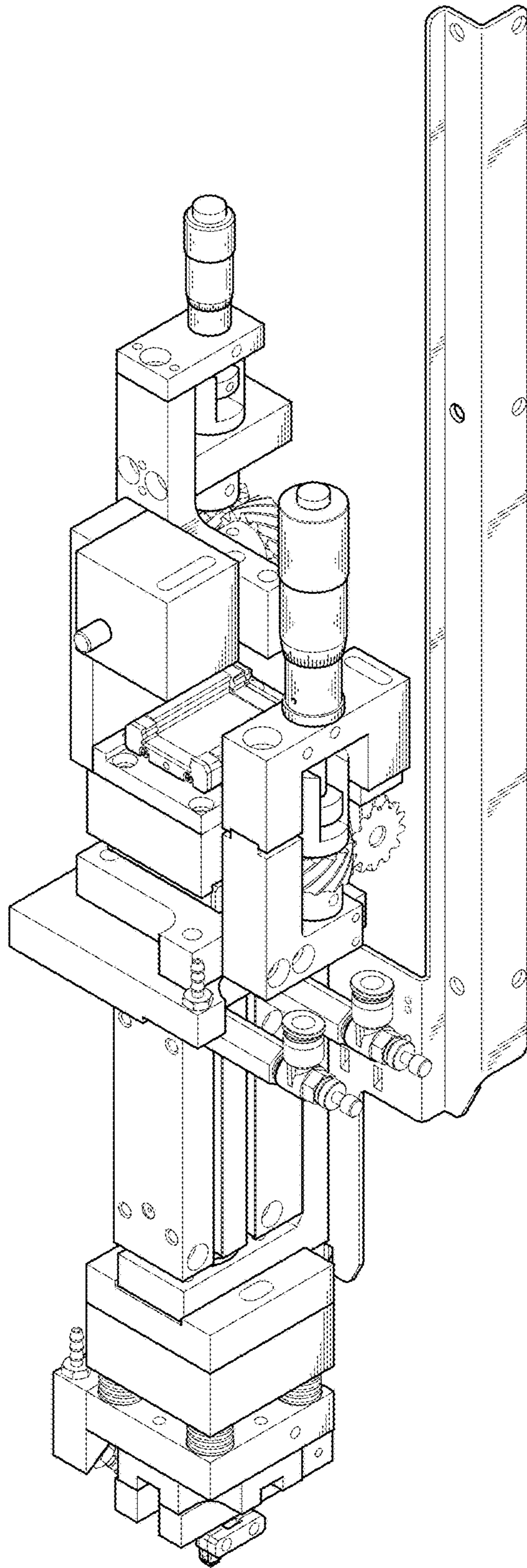


FIG.1

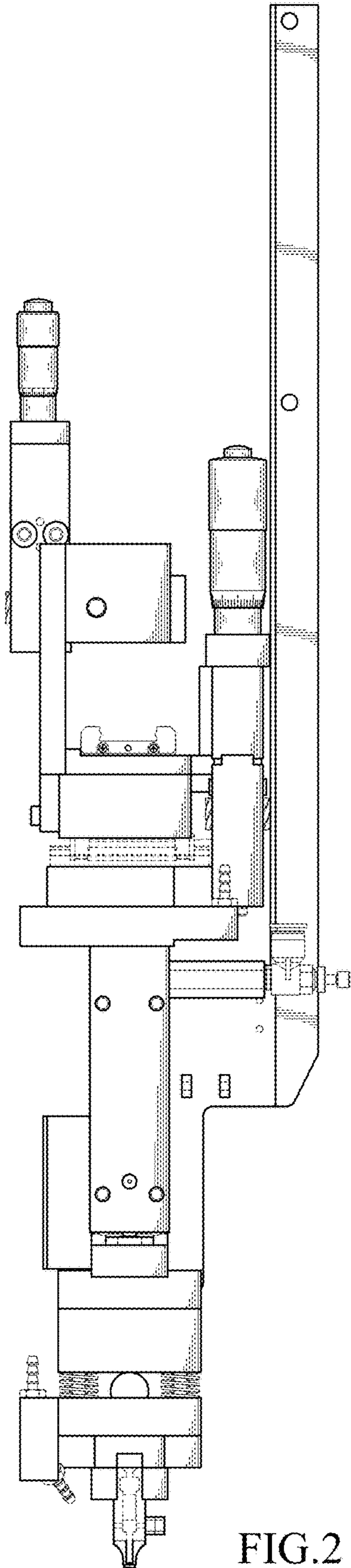


FIG. 2

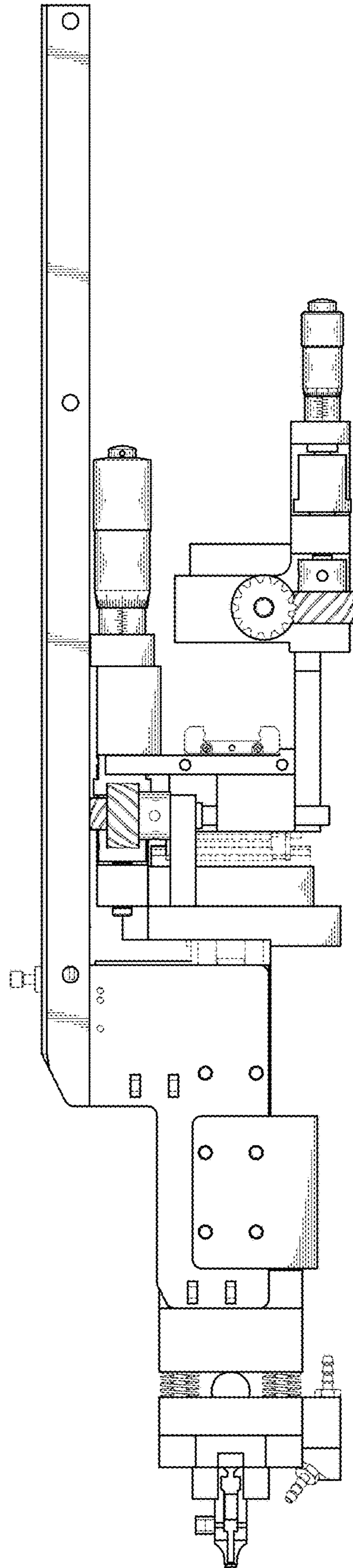


FIG.3

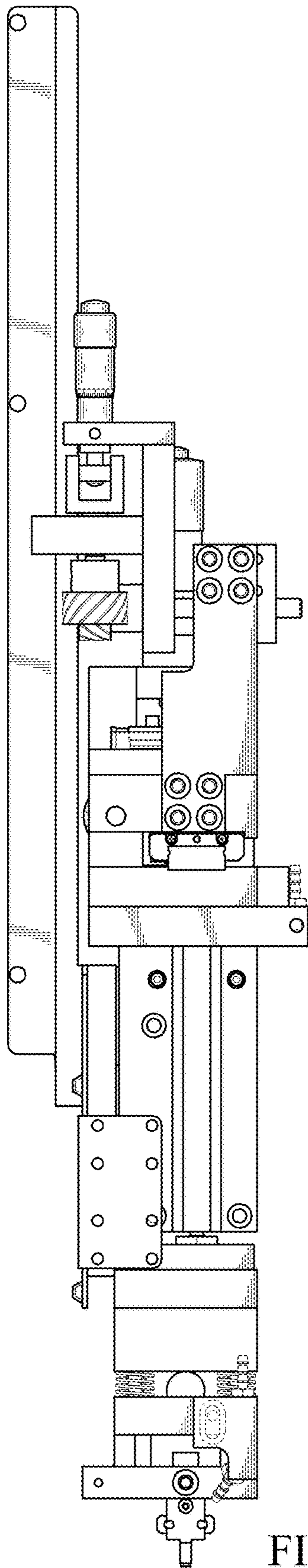


FIG.4

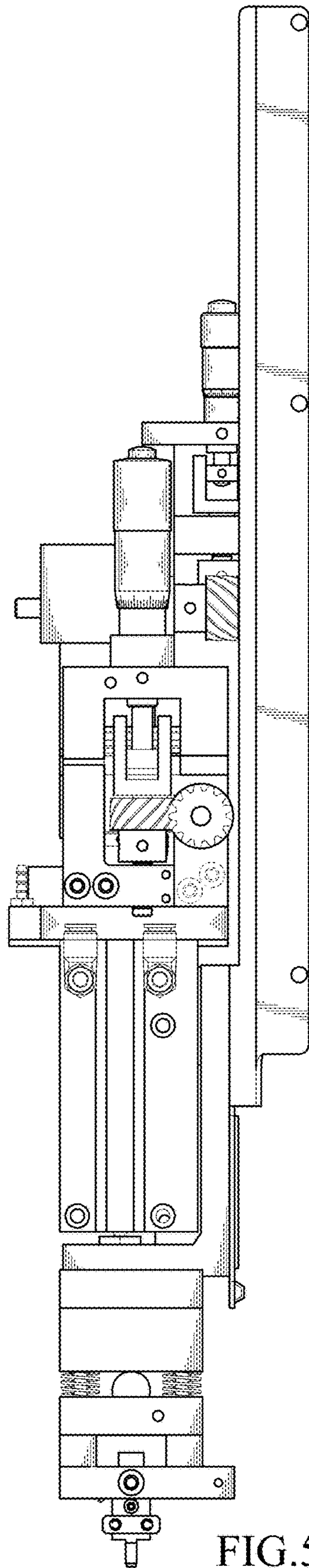


FIG. 5

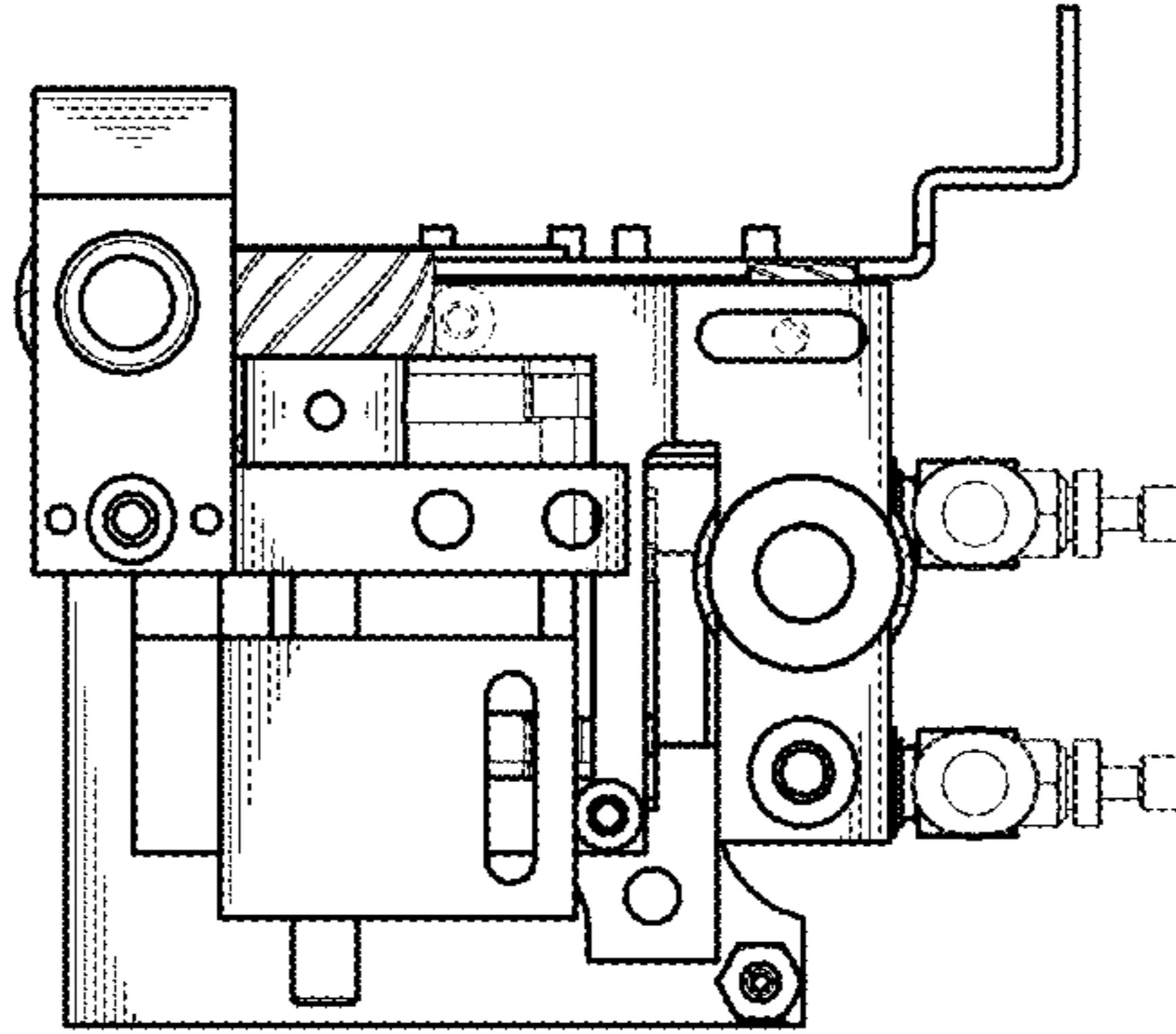


FIG. 6

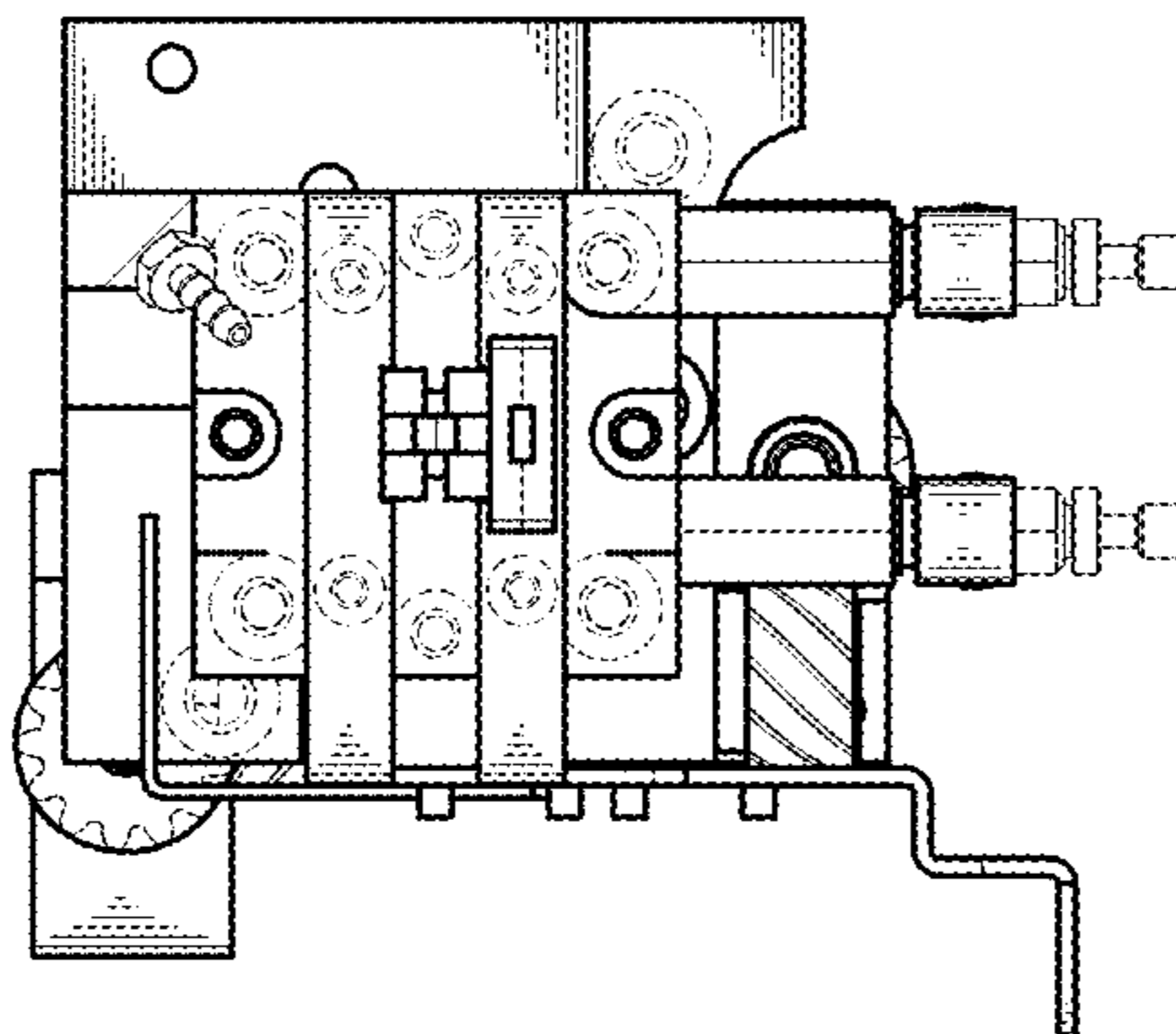


FIG. 7

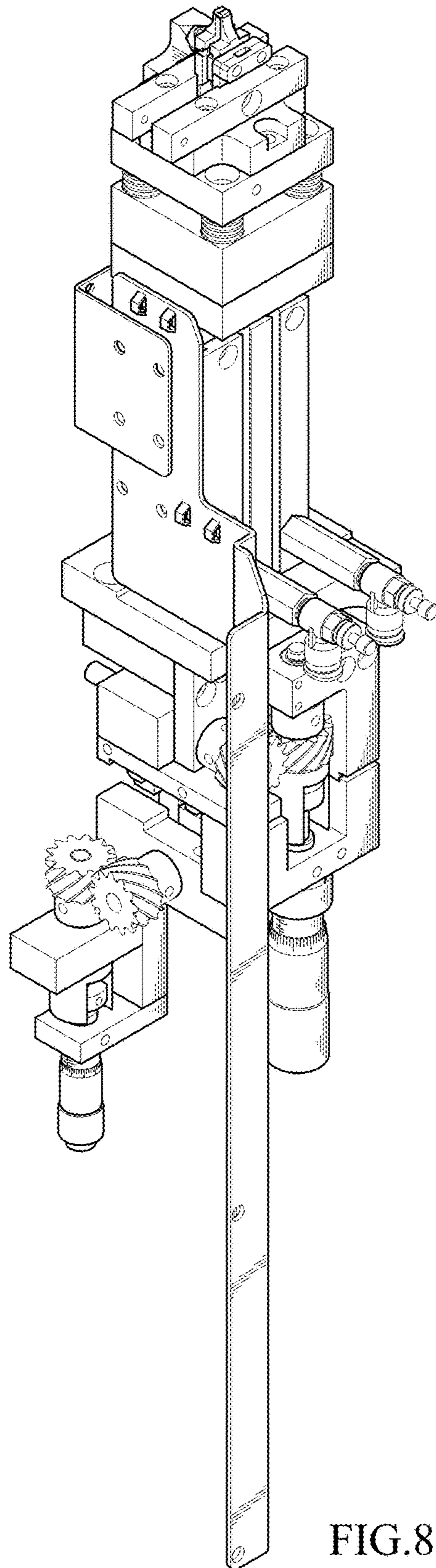


FIG. 8

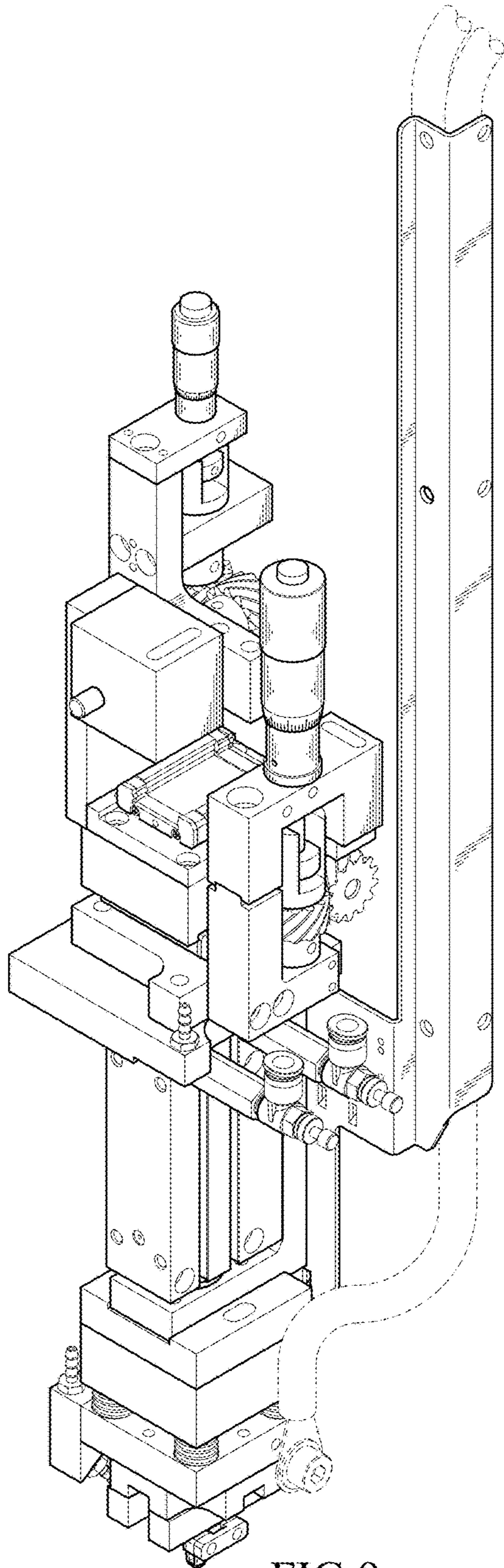


FIG.9