



US00D846608S

(12) **United States Design Patent**  
**Mowdy**

(10) **Patent No.:** **US D846,608 S**  
(45) **Date of Patent:** **\*\* Apr. 23, 2019**

- (54) **RECEIVER FOR A BOTTLING MACHINE**
- (71) Applicant: **M&M Machinery Services, Inc.**, Fort Worth, TX (US)
- (72) Inventor: **Alton W. Mowdy**, Fort Worth, TX (US)
- (73) Assignee: **M&M Machinery Services, Inc.**, Fort Worth, TX (US)
- (\*\*) Term: **15 Years**
- (21) Appl. No.: **29/597,122**
- (22) Filed: **Mar. 14, 2017**
- (51) **LOC (11) Cl.** ..... **15-09**
- (52) **U.S. Cl.**  
USPC ..... **D15/138**
- (58) **Field of Classification Search**  
USPC ..... D15/122, 138; D8/349, 354, 356;  
D13/155; D23/259, 260, 262-266  
CPC ..... B41J 3/543; B41J 3/4073; B41J 11/002;  
B65B 31/04; B67C 3/2614; B67C  
2003/2602; B67C 2003/2668; B67C  
2003/2674; F16L 37/252  
See application file for complete search history.

(56) **References Cited**

**U.S. PATENT DOCUMENTS**

- 1,350,249 A \* 8/1920 Swanson ..... B67C 3/04  
141/238
- 1,621,470 A \* 3/1927 Shields ..... B67C 7/00  
141/101
- 1,631,530 A \* 6/1927 Hoffman ..... B67C 3/02  
141/150
- 1,658,917 A \* 2/1928 Bragdon ..... B65D 39/02  
215/325
- 1,804,985 A \* 5/1931 Hoffman ..... B67C 3/02  
141/150

- 1,901,596 A \* 3/1933 Hauk ..... B08B 9/44  
198/403
- 1,935,115 A \* 11/1933 Flower ..... B67C 7/00  
53/278
- 2,302,469 A \* 11/1942 Patterson ..... A23C 3/033  
165/263

(Continued)

**FOREIGN PATENT DOCUMENTS**

- CN 102701130 10/2012
- DE 202007014205 9/2008

(Continued)

*Primary Examiner* — Patricia A Palasik  
(74) *Attorney, Agent, or Firm* — Fitch, Even, Tabin & Flannery LLP

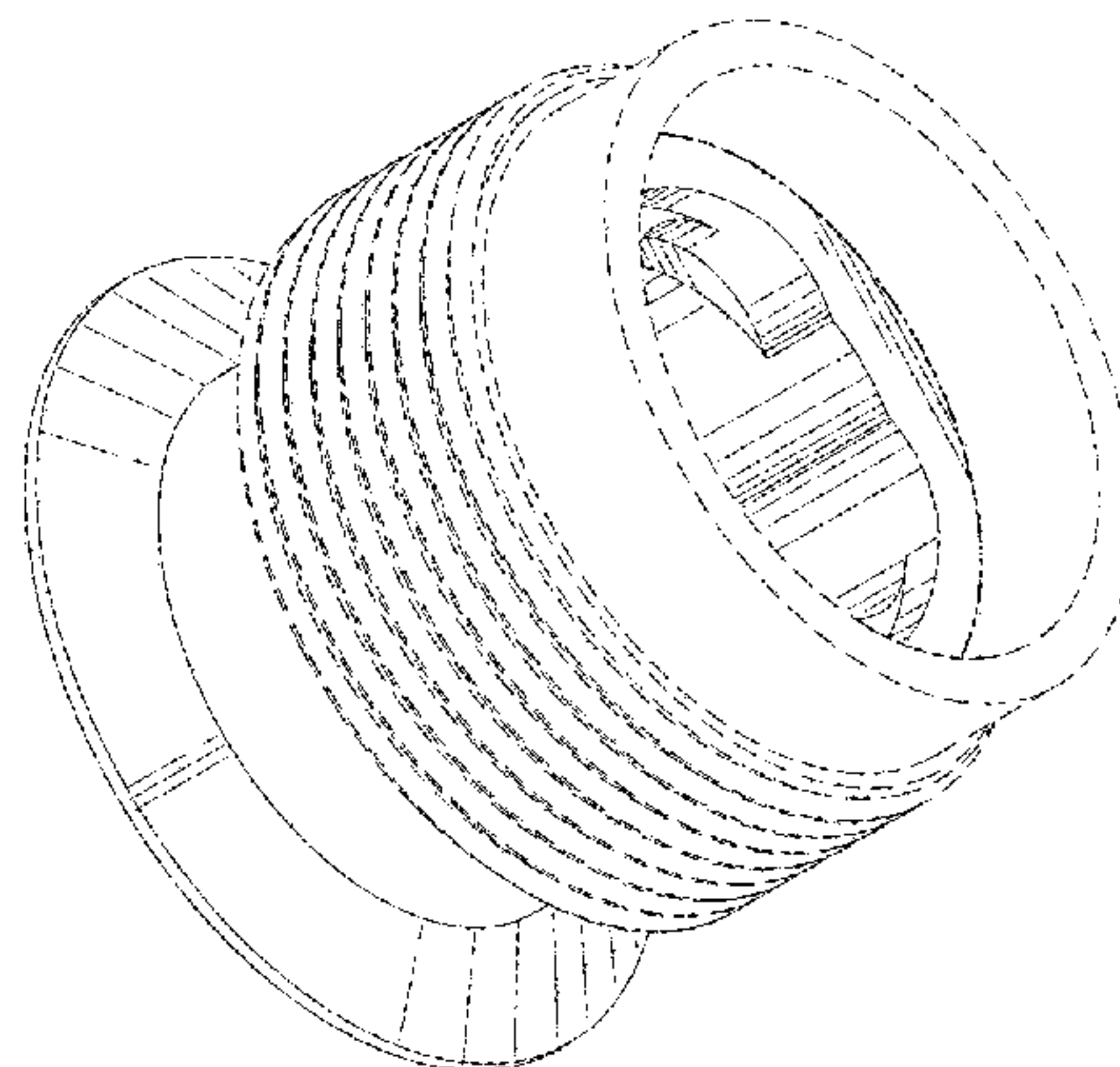
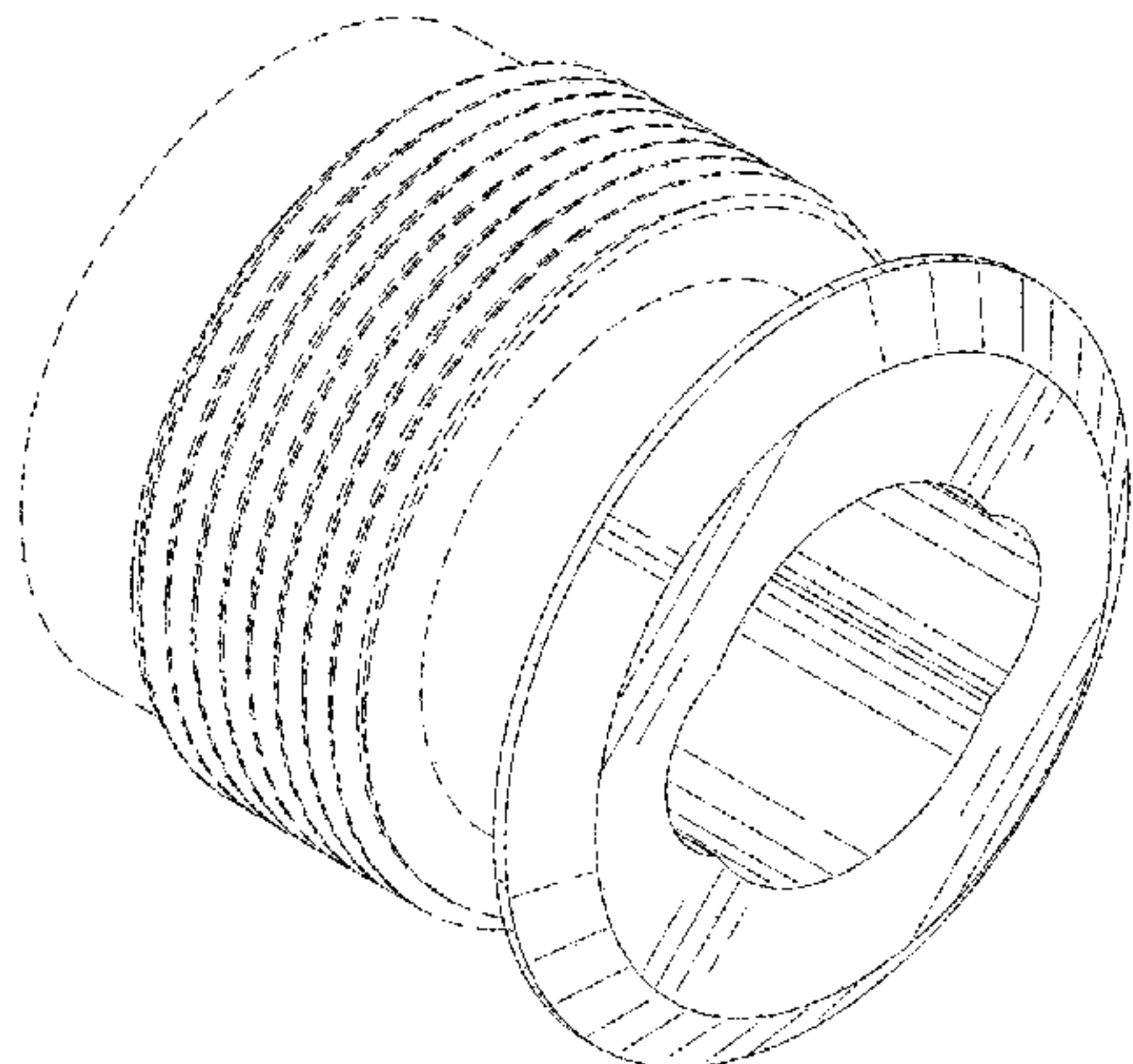
(57) **CLAIM**

I claim the ornamental design for a receiver for a bottling machine, as shown and described.

**DESCRIPTION**

FIG. 1 is a bottom perspective view of a receiver for a bottling machine of my new design;  
 FIG. 2 is a top perspective view of a receiver for a bottling machine of my new design;  
 FIG. 3 is a front elevation view of a receiver for a bottling machine of my new design;  
 FIG. 4 is a left side elevation view of a receiver for a bottling machine of my new design;  
 FIG. 5 is a top view of a receiver for a bottling machine of my new design; and,  
 FIG. 6 is a bottom view of a receiver for a bottling machine of my new design.  
 The rear and right side elevation views are omitted as they are mirror images to the front and left side elevation views, respectively.  
 The broken lines in the drawings depict portions of the receiver for a bottling machine which form no part of the claimed design.

**1 Claim, 5 Drawing Sheets**



# US D846,608 S

(56)

## References Cited

### U.S. PATENT DOCUMENTS

2,333,415	A *	11/1943	Du Bois	.....	F16K 24/00 137/493.1
2,683,959	A *	7/1954	Currie	.....	B65B 43/265 53/564
2,731,186	A *	1/1956	Fox	.....	B67C 3/12 137/460
2,797,110	A	6/1957	Covington		
3,450,175	A	6/1969	Norwood		
3,640,465	A	2/1972	Hicks		
3,736,966	A	6/1973	Dichiara		
3,744,212	A *	7/1973	Mistarz	.....	B65B 3/027 53/452
3,800,400	A *	4/1974	Mistarz	.....	B65B 3/027 221/211
3,885,421	A *	5/1975	Nakamura	.....	G01N 3/00 73/824
4,049,030	A	9/1977	Abramoska		
4,335,761	A *	6/1982	Peronek	.....	B67C 3/26 141/371
5,054,261	A *	10/1991	Gilbertson	.....	B67B 3/2066 53/317
5,058,632	A *	10/1991	Lawarre, Sr.	.....	B67C 3/26 141/147
5,060,702	A *	10/1991	LaWarre, Sr.	.....	B67C 3/26 141/286
5,085,255	A *	2/1992	LaWarre, Sr.	.....	B67C 3/2628 141/147
5,095,958	A *	3/1992	Tincati	.....	B67C 3/004 141/129
5,143,409	A *	9/1992	Lalikos	.....	F16L 35/00 285/114
5,425,558	A	6/1995	Dennany		
5,778,633	A *	7/1998	Sweeny	.....	B65B 43/60 53/201
5,878,797	A	3/1999	Manuel		
6,634,679	B1	10/2003	Stieler		
7,523,771	B2	4/2009	Stavrakis		
7,552,575	B1 *	6/2009	Martin	.....	B67B 3/2033 53/300
8,887,762	B2	11/2014	Densel		
2001/0027824	A1 *	10/2001	Reinecke	.....	B65B 43/52 141/156

2003/0089284	A1 *	5/2003	Eder	.....	B67C 3/005 108/50.11
2005/0145644	A1 *	7/2005	Mori	.....	B65B 5/103 221/242
2006/0011262	A1 *	1/2006	Stienen	.....	A61L 2/208 141/147
2010/0282364	A1 *	11/2010	Balzarini	.....	B08B 9/426 141/165
2011/0148107	A1 *	6/2011	Blivet	.....	F16L 37/0841 285/402
2011/0290375	A1	12/2011	Hertz		
2012/0006419	A1 *	1/2012	Richardson	.....	A62C 33/00 137/15.01
2012/0174529	A1	7/2012	Clusserath		
2013/0105041	A1	5/2013	Krulitsch		
2013/0112315	A1	5/2013	Clusserath		
2014/0208699	A1	7/2014	Reiniger		
2015/0191260	A1 *	7/2015	Cook	.....	B65B 3/18 141/94
2015/0217983	A1	8/2015	Clusserath		
2016/0194189	A1 *	7/2016	Zoni	.....	B65C 3/16 141/1
2017/0050197	A1 *	2/2017	Huffington	.....	B05B 1/185
2017/0130882	A1 *	5/2017	Chen	.....	F16J 15/022
2017/0158480	A1 *	6/2017	Bandini	.....	B67C 3/10
2017/0191595	A1 *	7/2017	Van Seyoc	.....	F16L 37/32
2017/0227155	A1 *	8/2017	Reuter	.....	F16L 37/252
2017/0268709	A1 *	9/2017	Gibson	.....	F16L 37/252
2017/0276279	A1 *	9/2017	Mowdy	.....	B67C 3/26
2017/0299100	A1 *	10/2017	Leffler	.....	F16L 37/26
2017/0313452	A1 *	11/2017	Sutton	.....	B65B 21/242
2018/0031158	A1 *	2/2018	Gaspar	.....	F16L 33/225
2018/0086618	A1 *	3/2018	Clusserath	.....	B67C 3/2614
2018/0119861	A1 *	5/2018	Eichberger	.....	F16L 37/252
2018/0128406	A1 *	5/2018	Kozicz	.....	F16L 37/252
2018/0128407	A1 *	5/2018	Neal	.....	F16L 37/252
2018/0187811	A1 *	7/2018	Scholz	.....	A61M 39/02
2019/0011069	A1 *	1/2019	Zettlitzer	.....	F16L 37/30

### FOREIGN PATENT DOCUMENTS

EP	2930140	1/2017
WO	2013139413	9/2013

\* cited by examiner

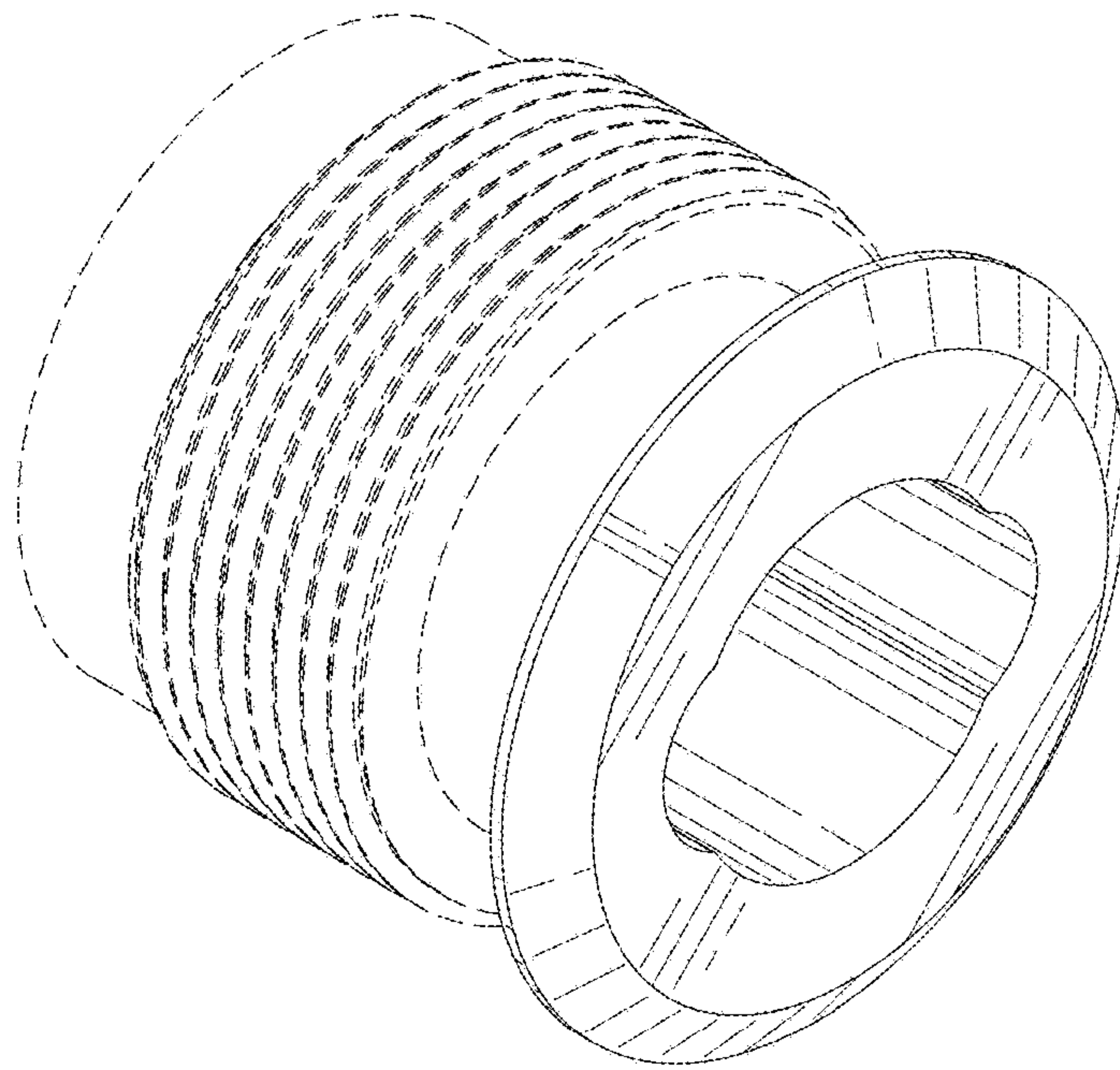


FIG. 1



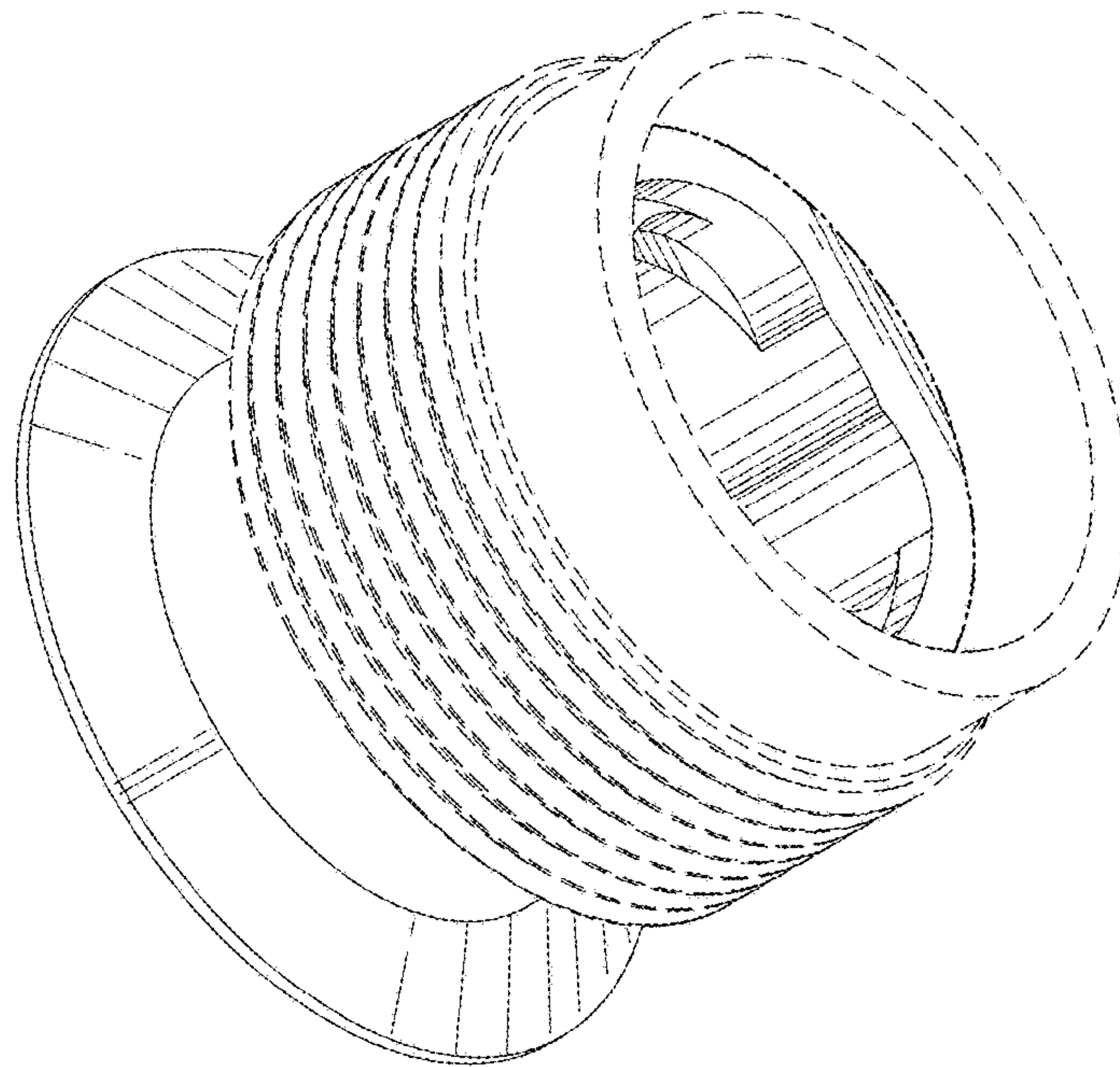


FIG. 2

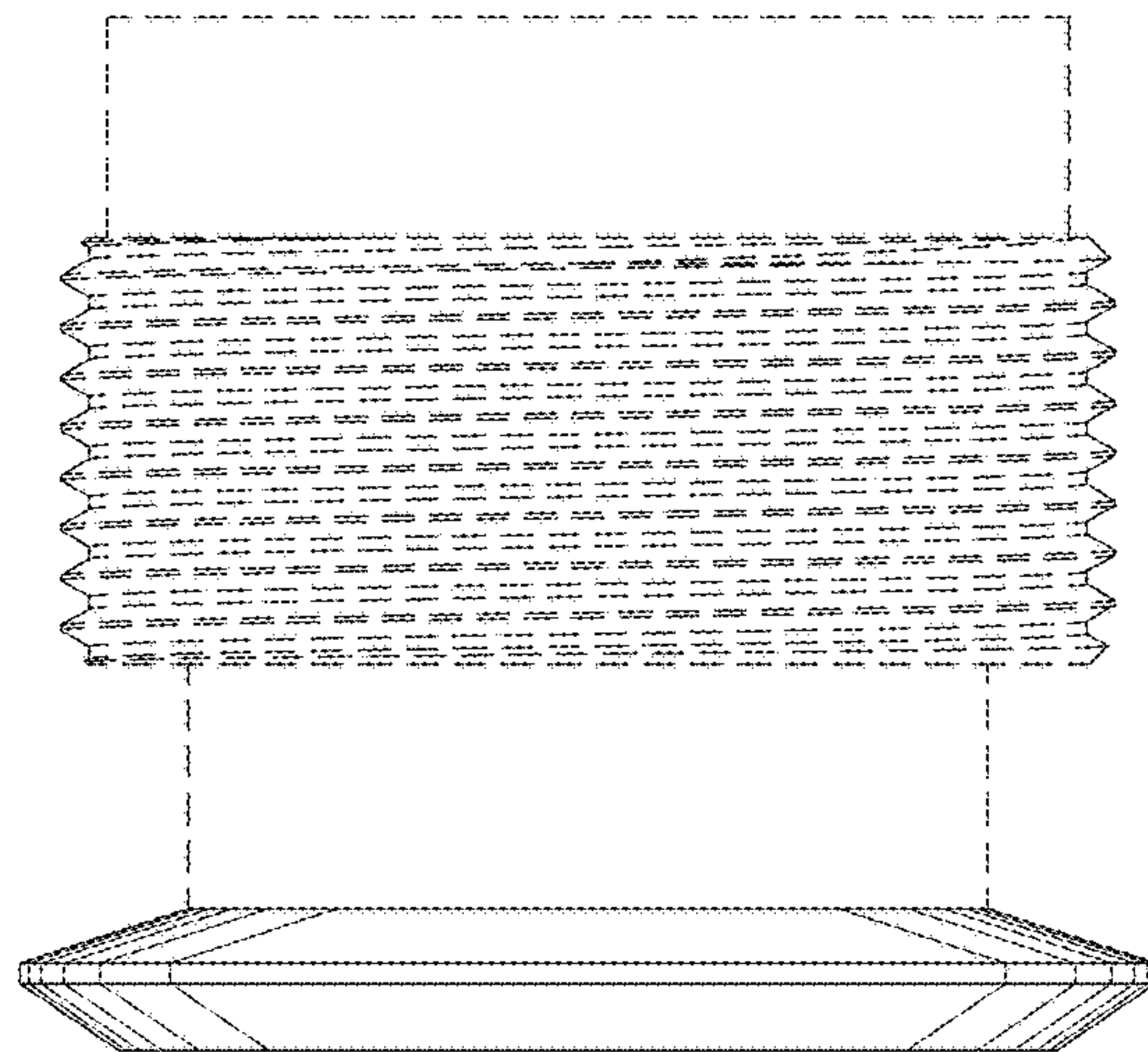


FIG. 3

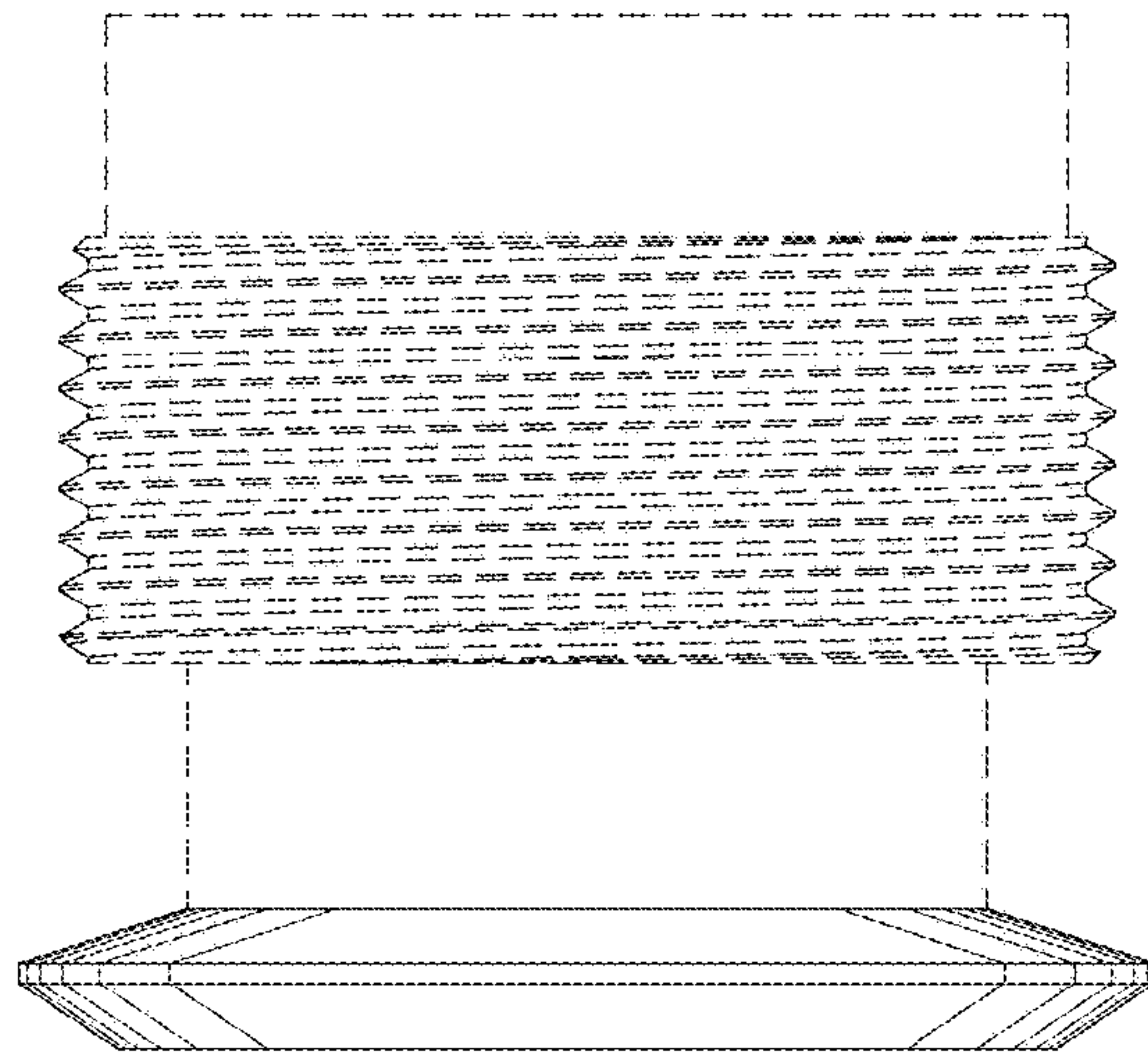


FIG. 4

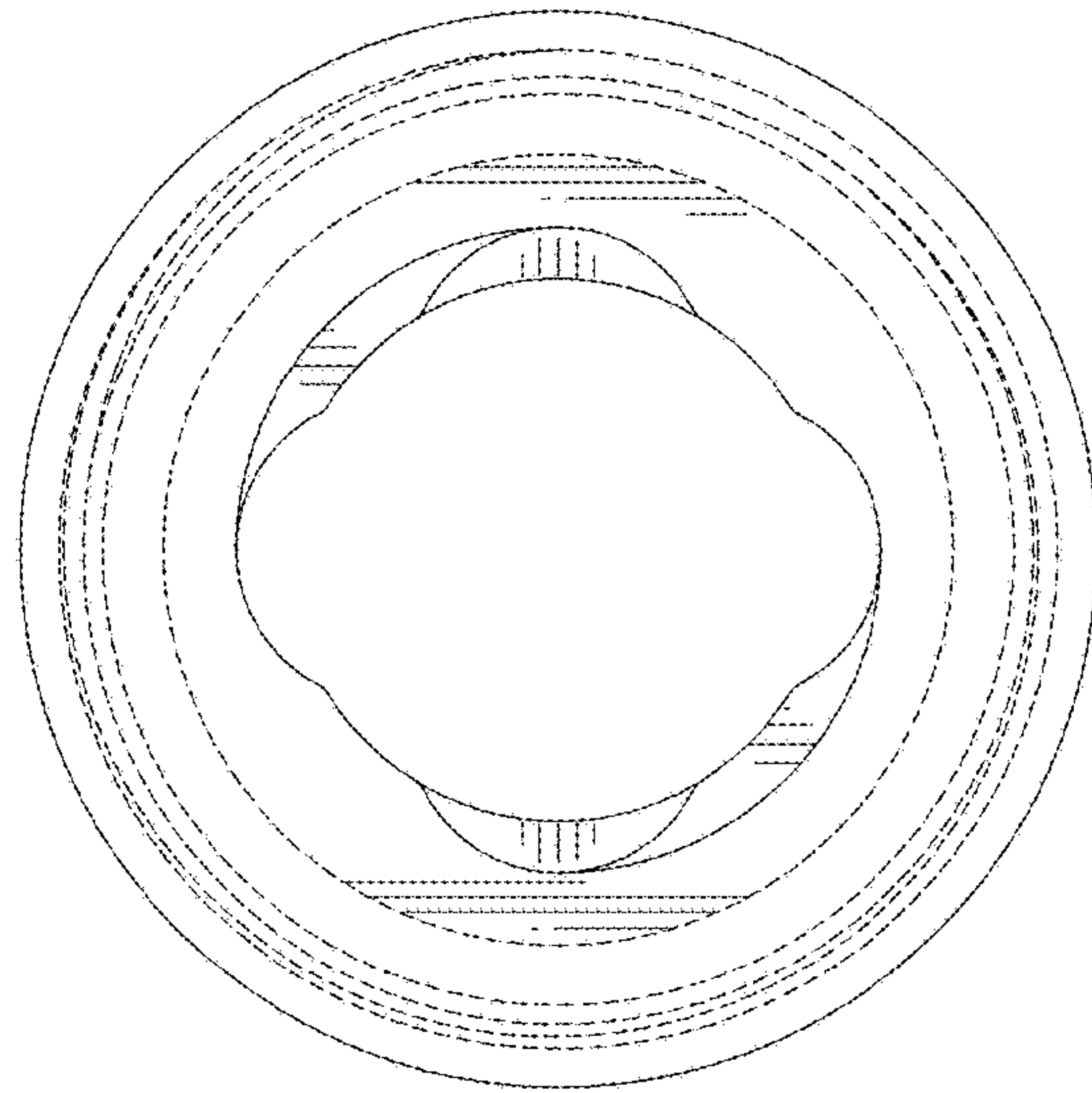


FIG. 5

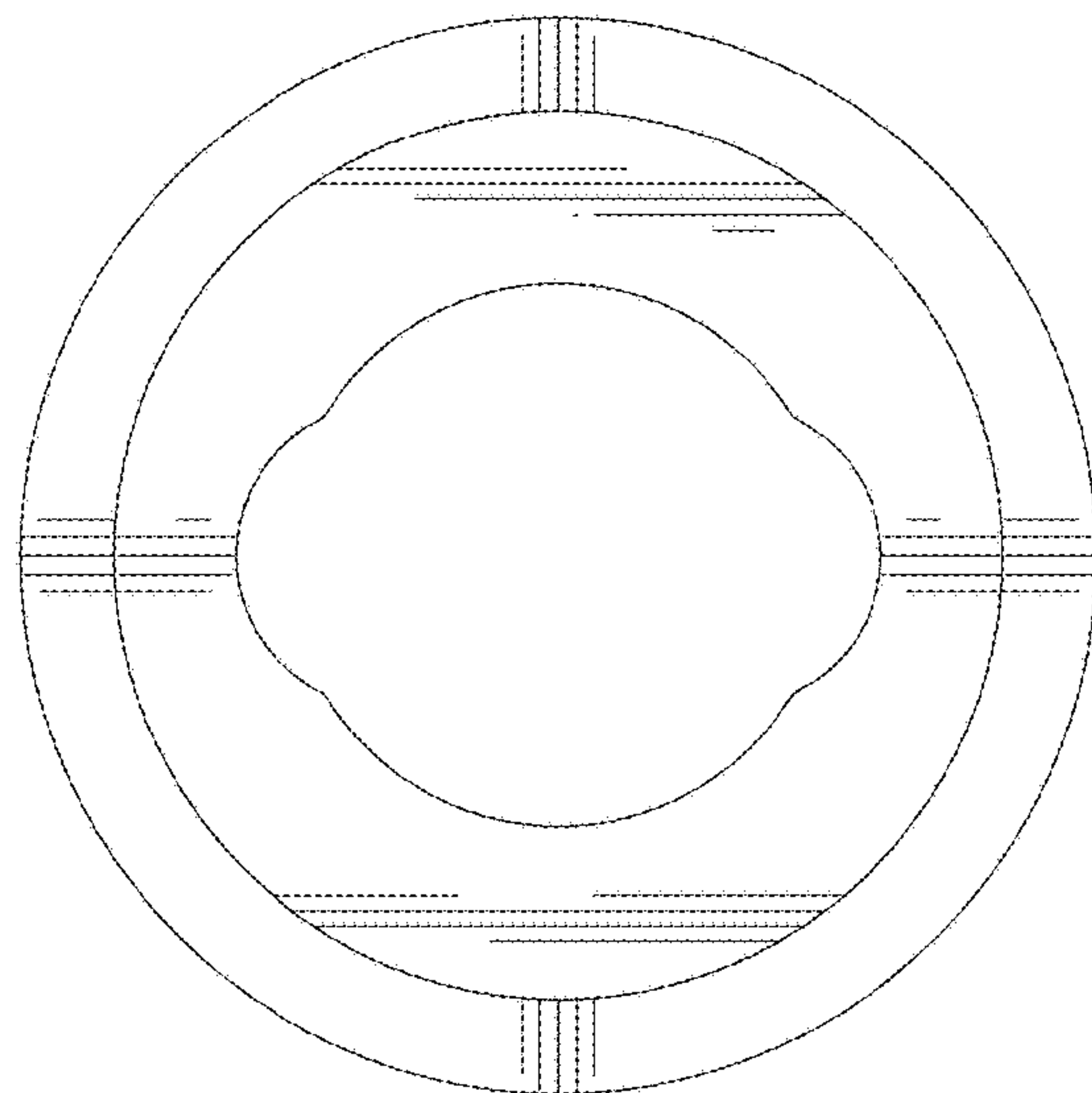


FIG. 6