



US00D846606S

(12) **United States Design Patent**
Demelo

(10) **Patent No.:** **US D846,606 S**

(45) **Date of Patent:** **** Apr. 23, 2019**

(54) **CUTTING MACHINE**

(71) Applicant: **IVAN LEATHERCRAFT CO., LTD.**,
Taipei (TW)

(72) Inventor: **Erik Demelo**, Taipei (TW)

(73) Assignee: **Ivan Leathercraft Co., Ltd.**, Taipei
(TW)

(**) Term: **15 Years**

(21) Appl. No.: **29/642,219**

(22) Filed: **Mar. 28, 2018**

(30) **Foreign Application Priority Data**

Feb. 5, 2018 (TW) 107300712

(51) **LOC (11) Cl.** **15-09**

(52) **U.S. Cl.**
USPC **D15/127**

(58) **Field of Classification Search**

USPC D15/124-134, 138, 139, 140, 141, 142,
D15/143, 135, 137, 9, 17; D8/6, 66, 70

CPC B26D 5/007; B26D 1/0006; B26D 1/015;
B26D 2210/02; B26D 5/32; B26D 5/34;
B26D 7/015; B26D 7/016; B26D 7/0625;
B26D 7/1854; B26D 7/32

See application file for complete search history.

(56) **References Cited**

U.S. PATENT DOCUMENTS

D114,586 S * 5/1939 Green D15/127
D211,608 S * 7/1968 Gray D15/122
4,054,073 A * 10/1977 Smith A44C 9/0084
83/54
D272,911 S * 3/1984 Bolton D15/127

D285,083 S * 8/1986 Miyamoto D15/127
D334,755 S * 4/1993 Malanke D15/127
D365,975 S * 1/1996 Cottone D15/128
D438,547 S * 3/2001 Wang D15/127
D566,733 S * 4/2008 Babcock D15/127
7,434,508 B2 * 10/2008 Corcoran B26D 5/16
100/229 R
D771,725 S * 11/2016 Demelo D15/128
D787,575 S * 5/2017 Ferretti D15/127
D795,316 S * 8/2017 Raichart D15/127

* cited by examiner

Primary Examiner — Khawaja Anwar

(74) *Attorney, Agent, or Firm* — Michael Best &
Friedrich LLP

(57) **CLAIM**

The ornamental design for a cutting machine, as shown and described.

DESCRIPTION

FIG. 1 is a perspective view of a cutting machine showing my new design;

FIG. 2 is a front elevational view thereof;

FIG. 3 is a rear elevational view thereof;

FIG. 4 is a left side elevational view thereof;

FIG. 5 is a right side elevational view thereof;

FIG. 6 is a top plan view thereof;

FIG. 7 is a bottom plan view thereof;

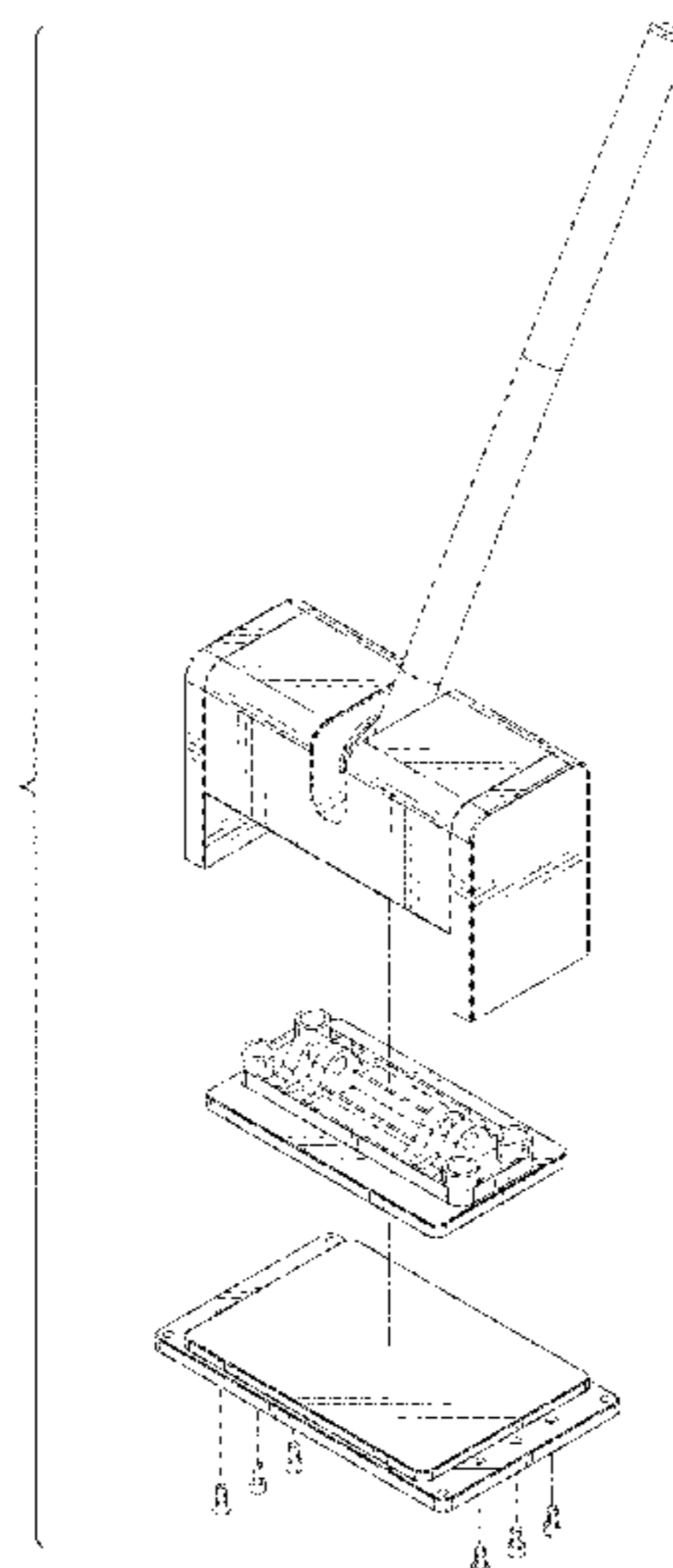
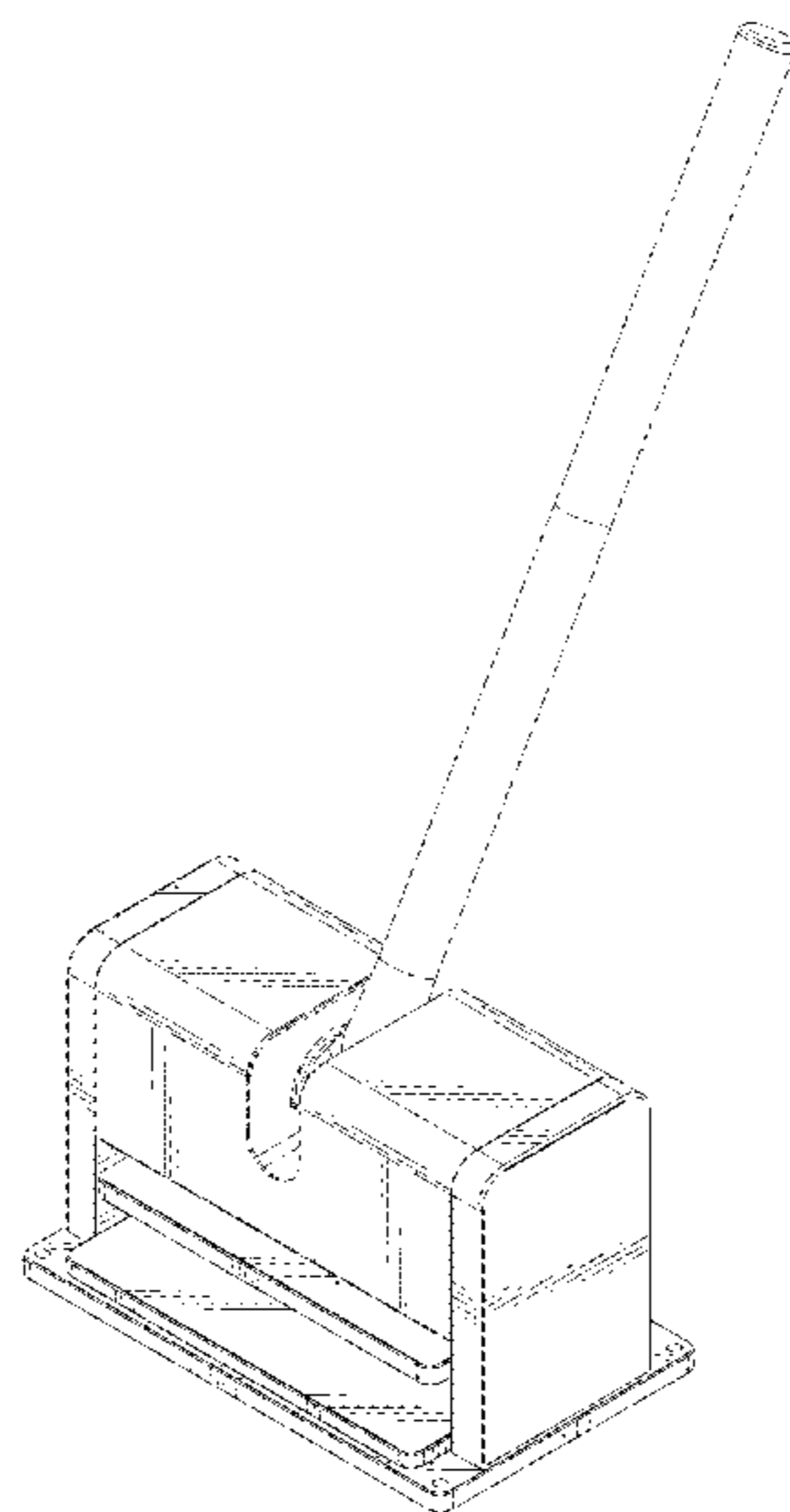
FIG. 8 is a sectional view taken along line VIII-VIII in FIG. 2;

FIG. 9 is a sectional view taken along line IX-IX in FIG. 2; and,

FIG. 10 is a partly exploded perspective view thereof.

The broken lines depict portions of a cutting machine in which the design is embodied that form no part of the claimed design.

1 Claim, 10 Drawing Sheets



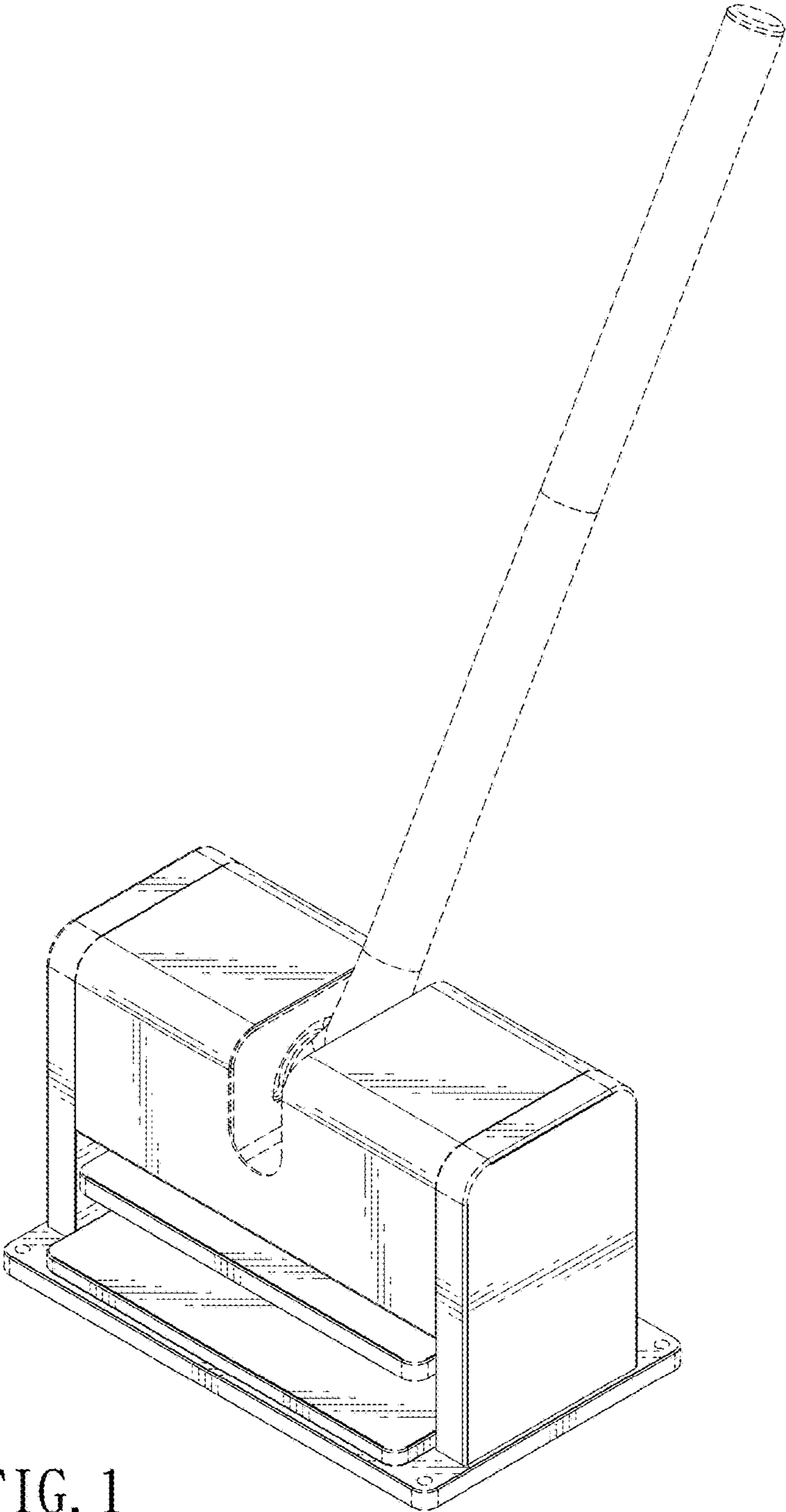


FIG. 1

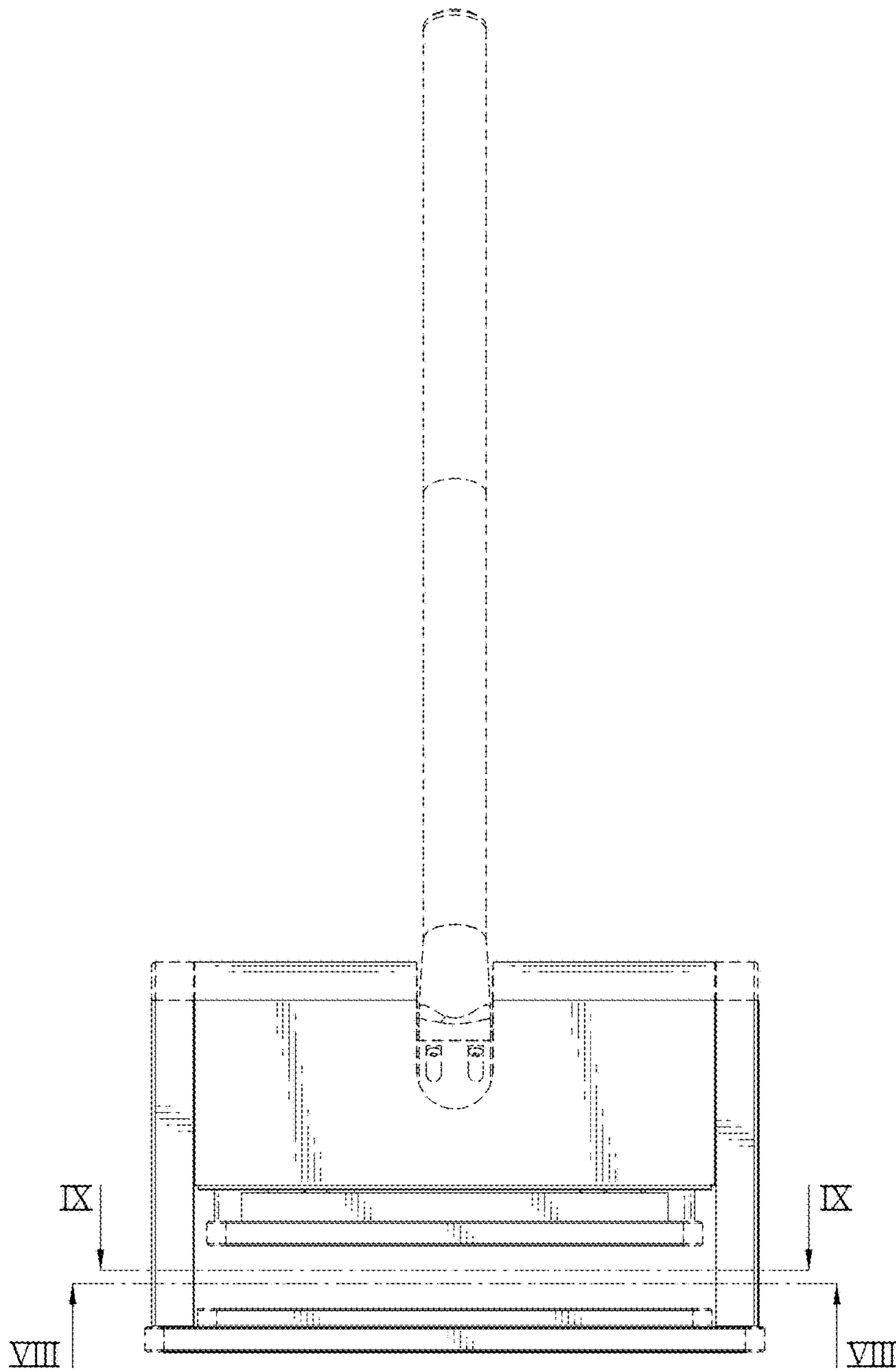


FIG. 2

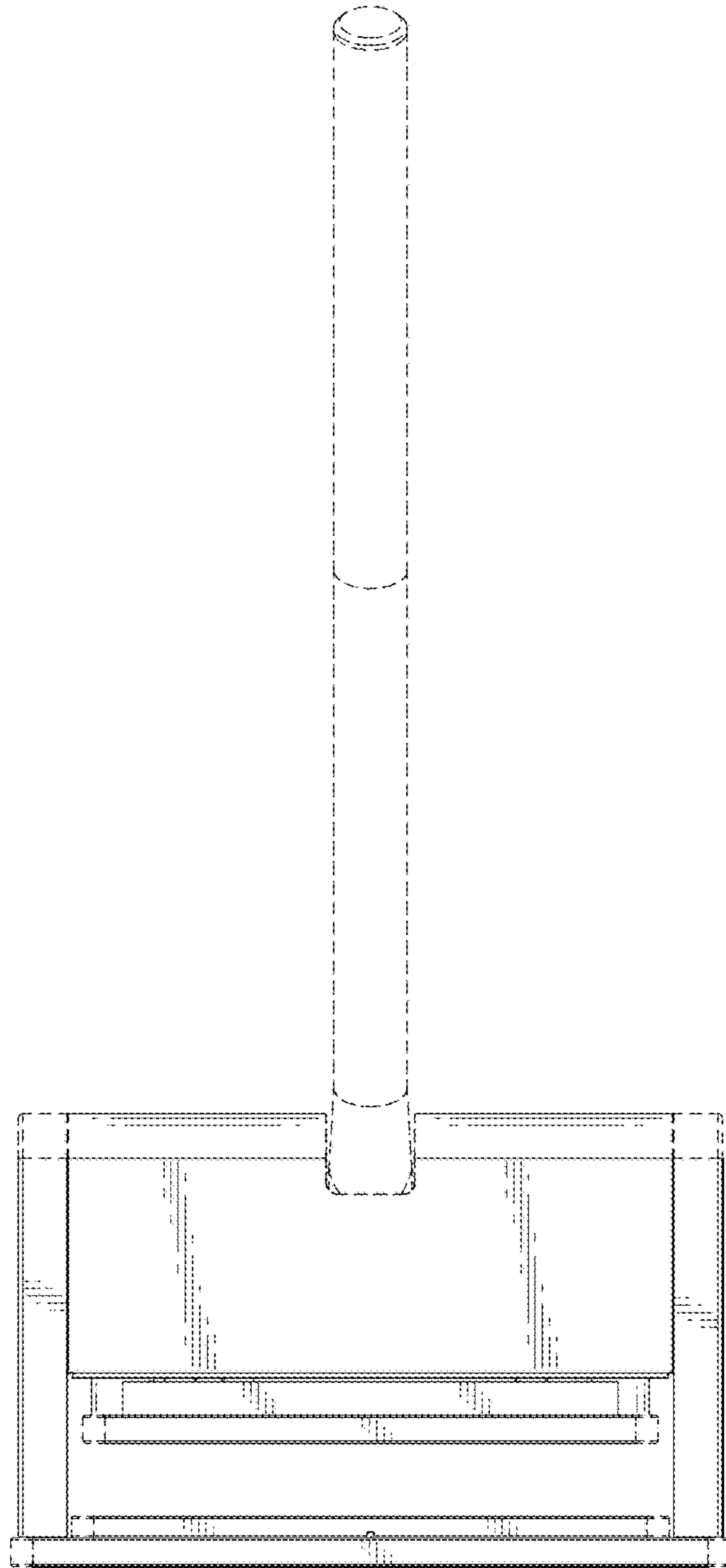


FIG. 3

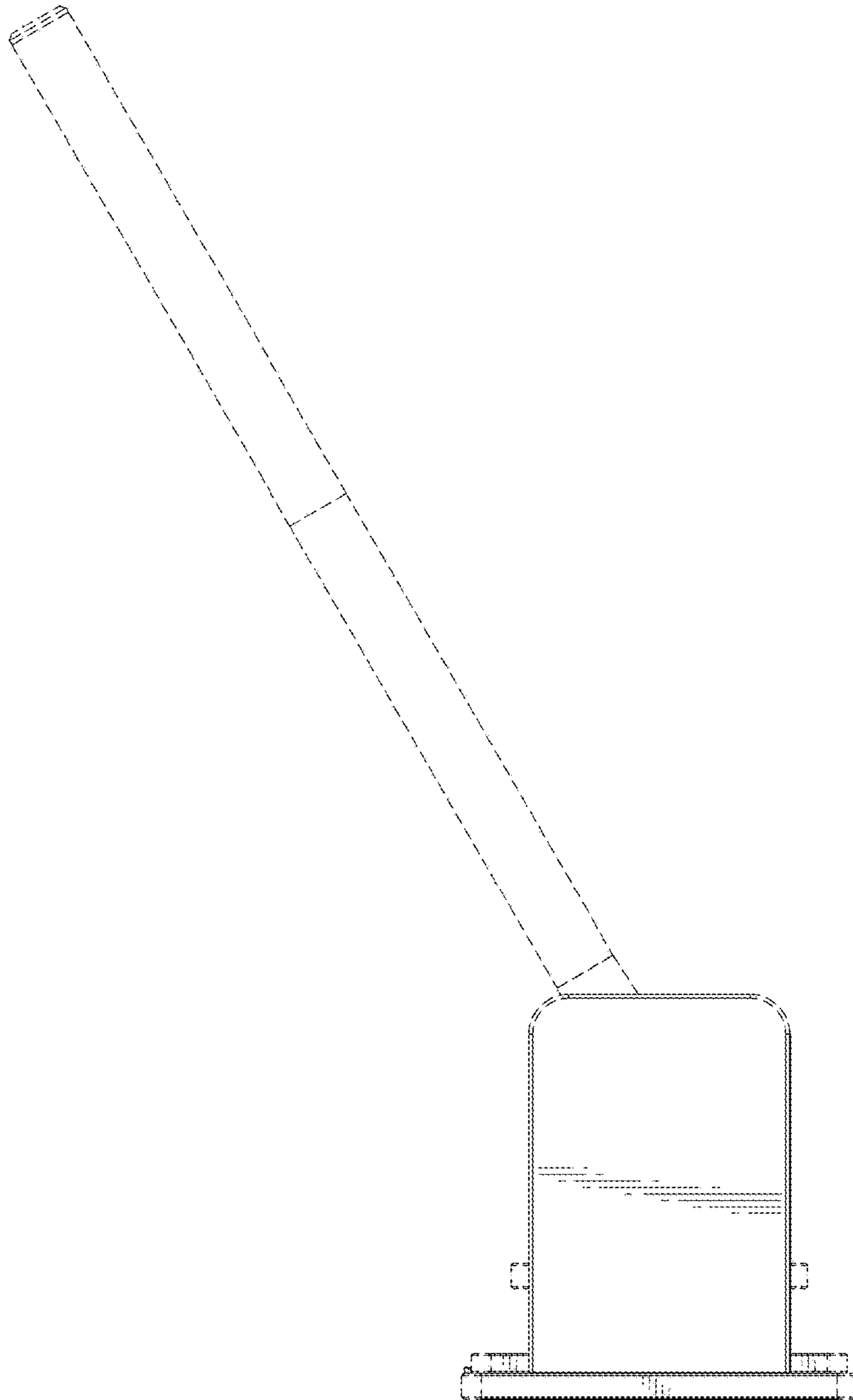


FIG. 4

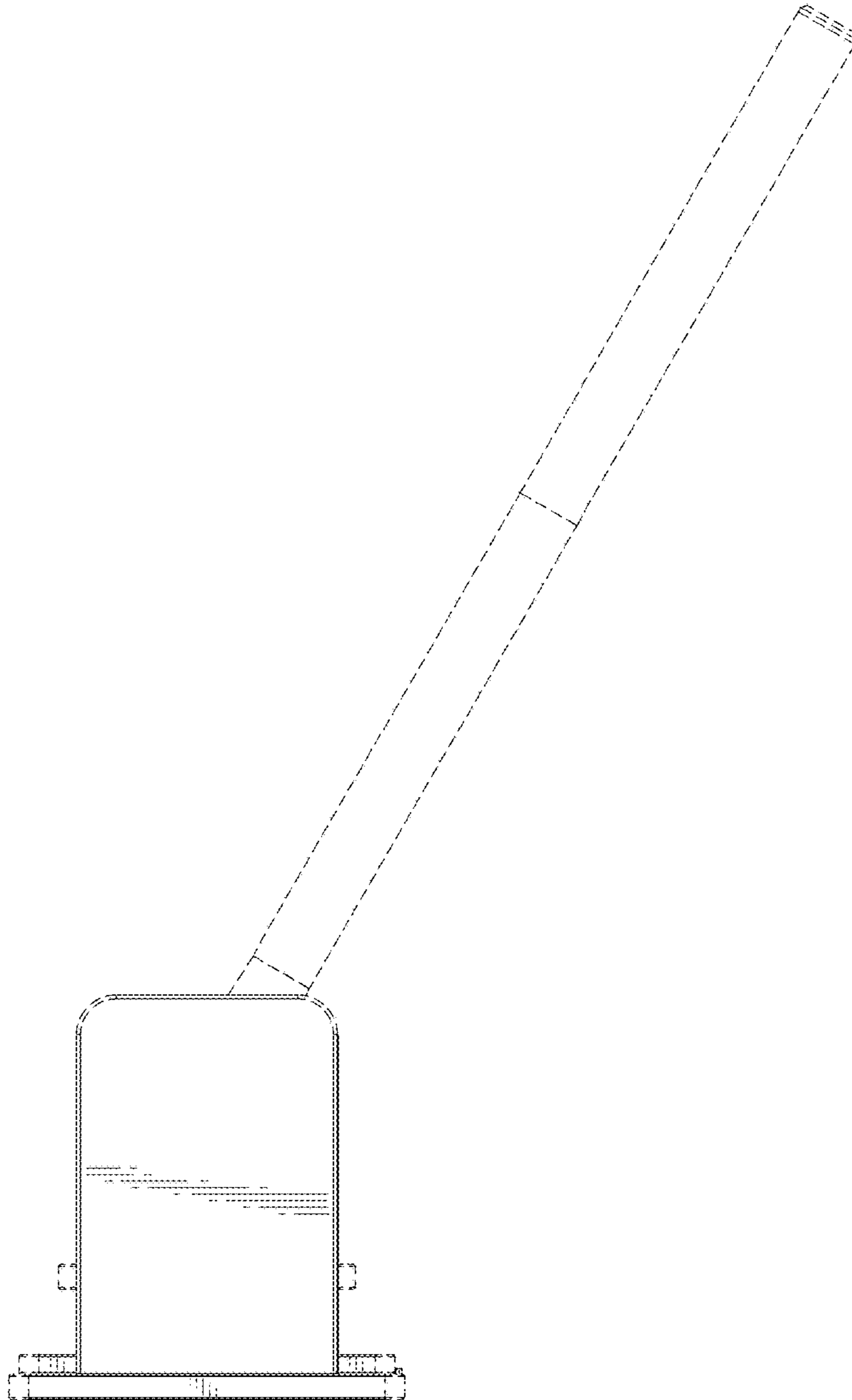


FIG. 5

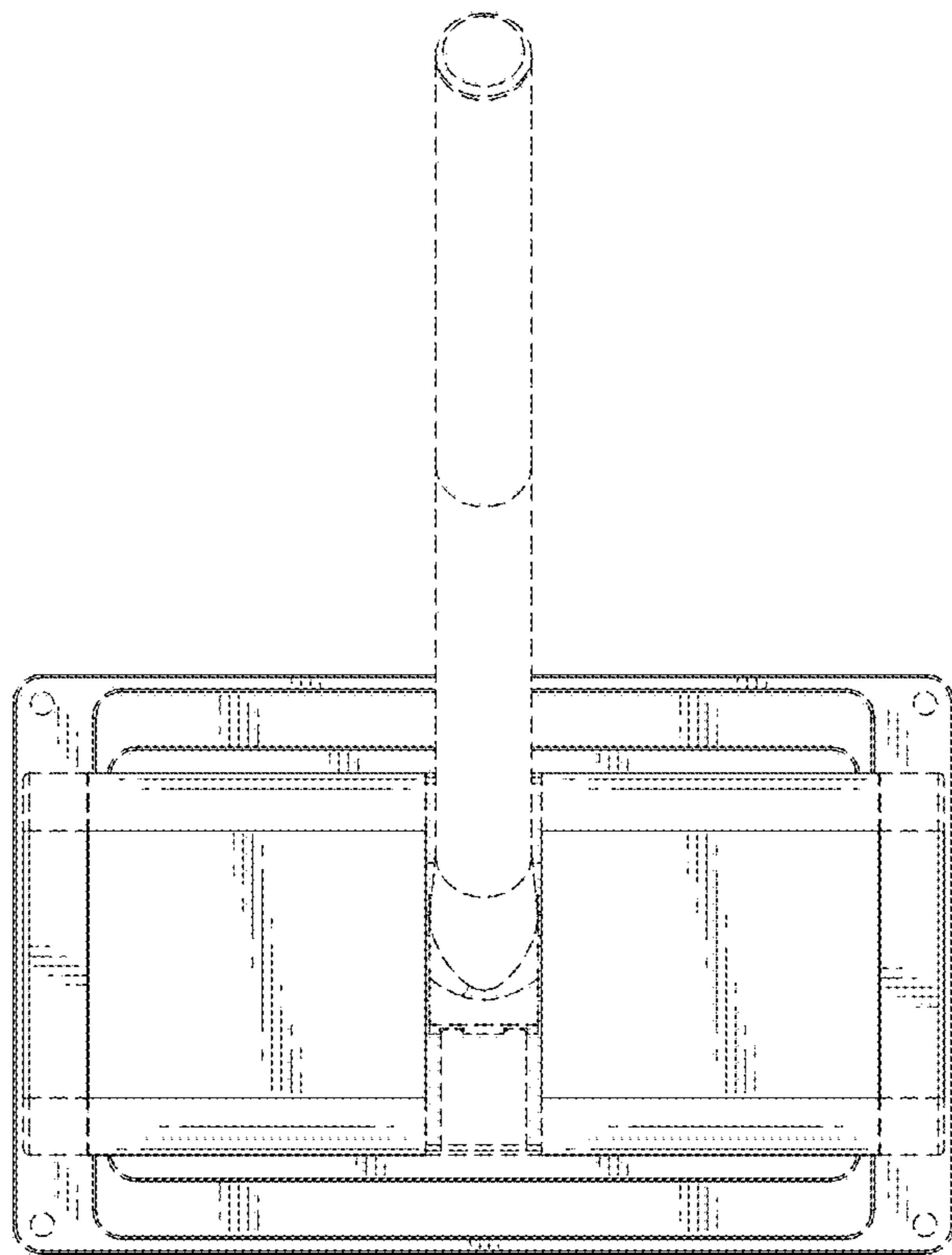


FIG. 6

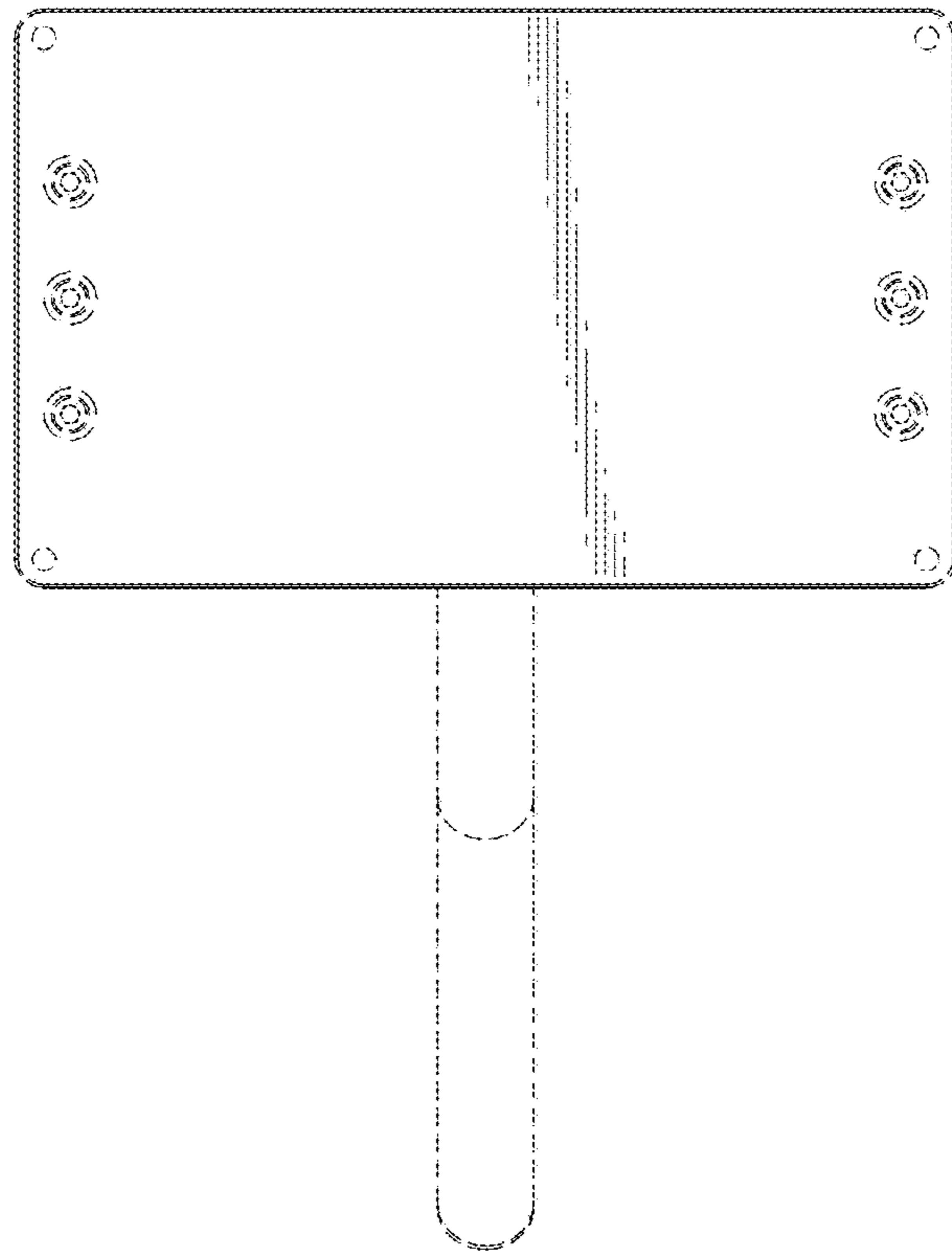


FIG. 7

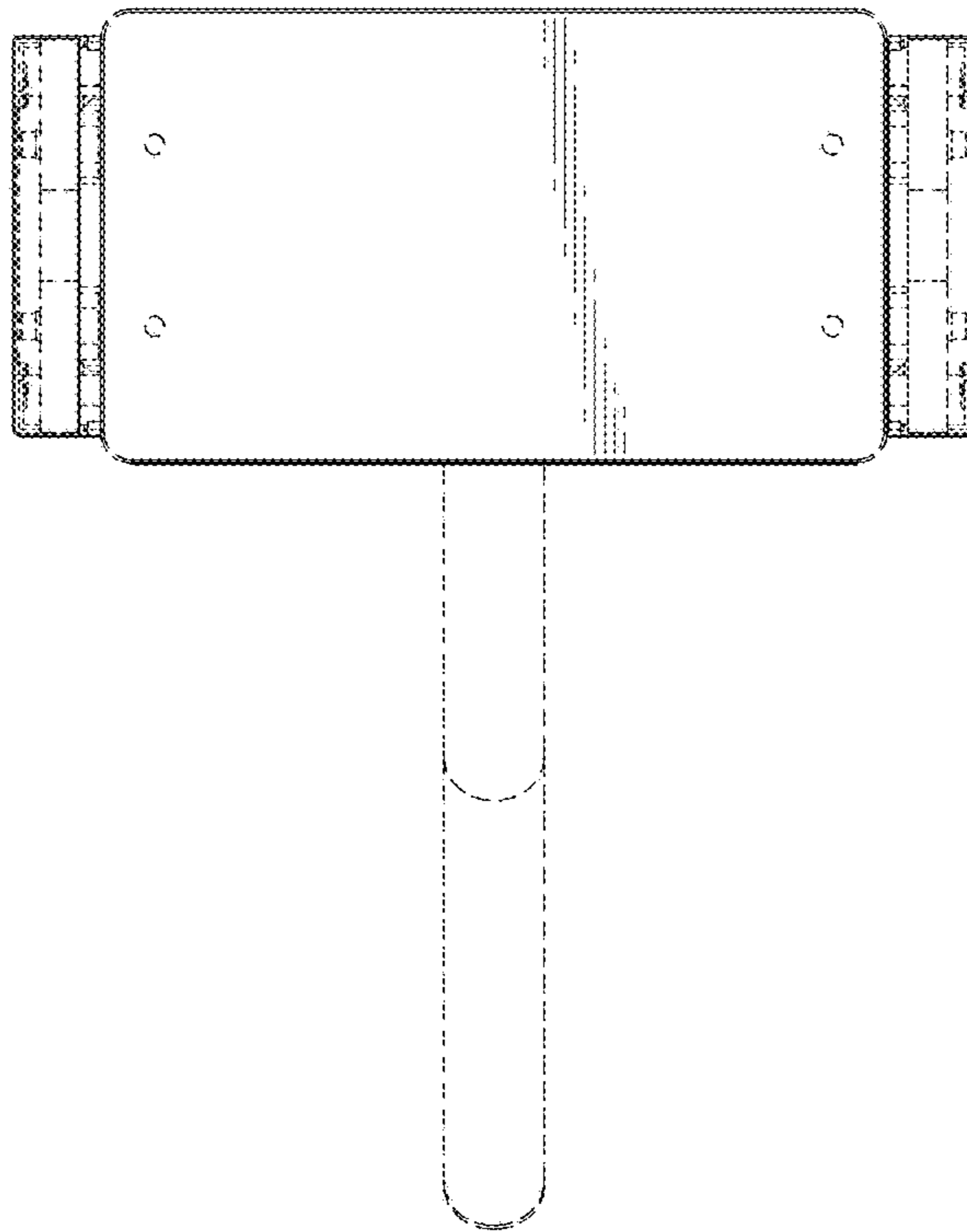


FIG. 8

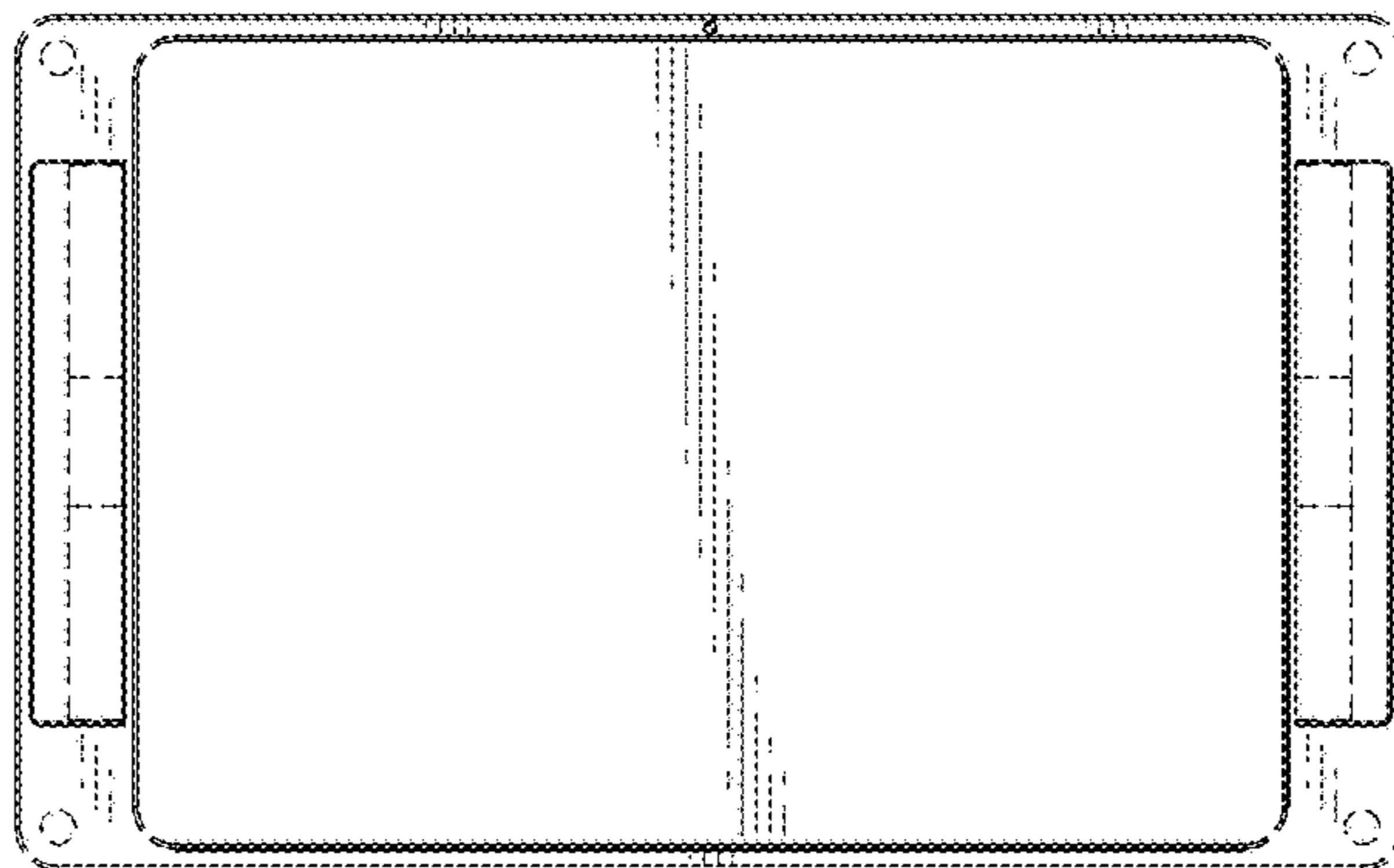


FIG. 9

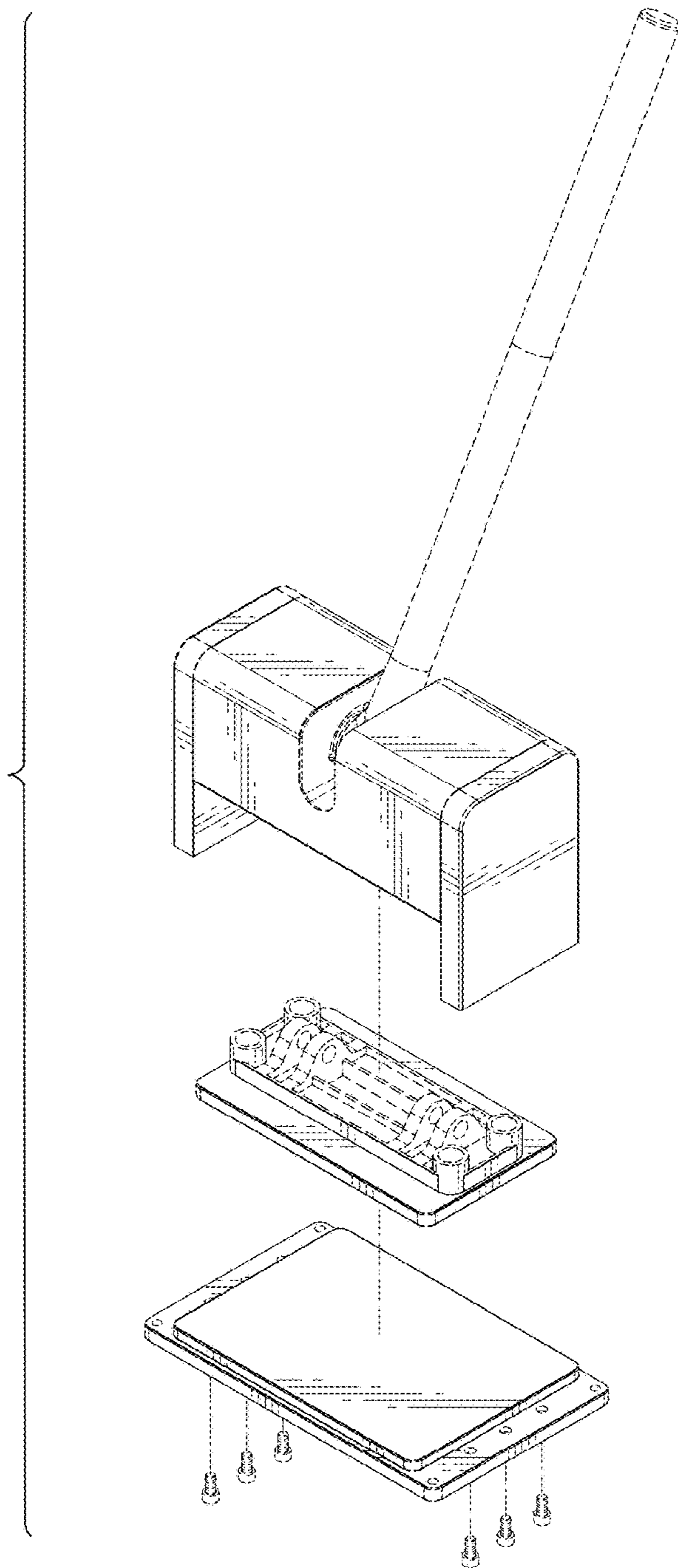


FIG. 10