



US00D846605S

(12) **United States Design Patent** (10) **Patent No.:** **US D846,605 S**  
**Snir** (45) **Date of Patent:** **\*\* Apr. 23, 2019**

(54) **MACHINE HOUSING**

(56) **References Cited**

(71) Applicant: **Kornit Digital Ltd.**, Rosh HaAyin (IL)

U.S. PATENT DOCUMENTS

(72) Inventor: **Ohad Snir**, Kiryat-Ono (IL)

|              |        |           |       |         |
|--------------|--------|-----------|-------|---------|
| D567,264 S * | 4/2008 | Muller    | ..... | D15/122 |
| D592,683 S * | 5/2009 | Warth     | ..... | D10/46  |
| D757,828 S * | 5/2016 | Lange     | ..... | D15/122 |
| D759,134 S * | 6/2016 | Goldhagen | ..... | D15/122 |
| D765,745 S * | 9/2016 | Cheung    | ..... | D15/122 |
| D777,809 S * | 1/2017 | Wu        | ..... | D15/122 |

(73) Assignee: **Kornit Digital Ltd.**, Rosh HaAyin (IL)

(\*\*) Term: **15 Years**

\* cited by examiner

(21) Appl. No.: **29/607,195**

*Primary Examiner* — Khawaja Anwar

(22) Filed: **Jun. 12, 2017**

(57) **CLAIM**

(51) **LOC (11) Cl.** ..... **15-03**

The ornamental design for a machine housing, as shown.

(52) **U.S. Cl.**

**DESCRIPTION**

USPC ..... **D15/122**

(58) **Field of Classification Search**

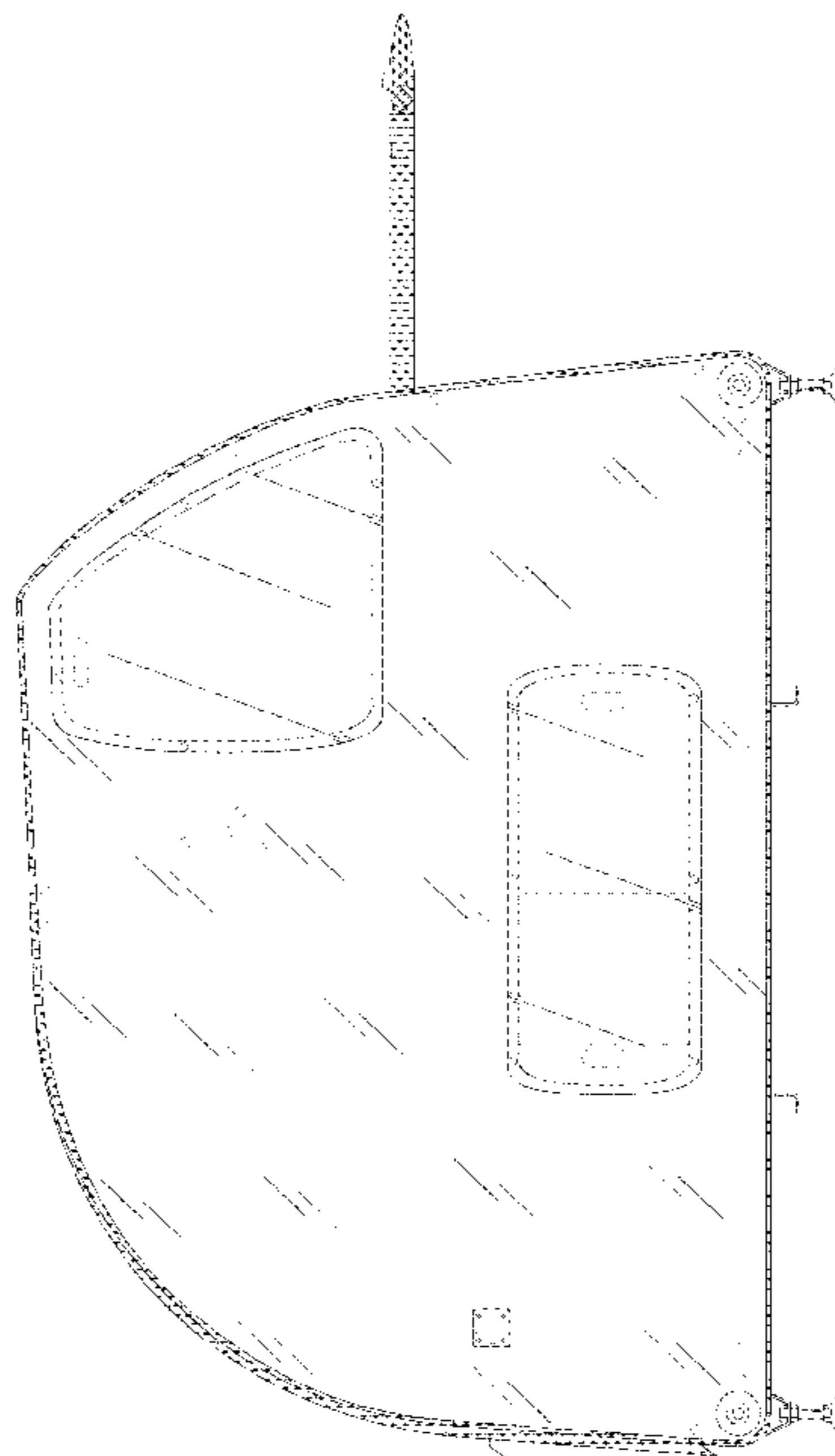
USPC ..... D15/122, 135, 138, 145, 146; D18/6, 7, D18/14, 19, 50, 54.1, 55

CPC ..... G06T 11/206; G06T 11/60; G06T 15/00; G06T 2207/30201; G06T 7/0012; G06T 7/11; G06T 11/001; G06T 11/003; G06T 11/40; G06T 13/00; G06T 15/005; G06T 15/02; G06T 15/04; G06T 15/10; G06T 15/20; G06T 15/503; G06T 15/60; G06T 15/80; G06T 19/00; G06T 19/20; G06T 1/20; G06T 2200/24; G06T 2207/10024; G06T 2207/10068; G06T 2207/10132; G06T 2207/20221; G06T 2207/30028; G06T 2207/30048; G06T 2207/30104; G06T 7/00; G06T 7/149; G06T 7/248; G06T 7/64

FIG. 1 is a right side view in a closed position of a machine housing, showing my new design;  
FIG. 2 is a left side view in a closed position thereof;  
FIG. 3 is a rear view in a closed position thereof;  
FIG. 4 is a front view in a closed position thereof;  
FIG. 5 is a top view in a closed position thereof;  
FIG. 6 is a bottom view in a closed position thereof.  
FIG. 7 is a perspective view in a closed position thereof;  
FIG. 8 is a right side view in an open position thereof;  
FIG. 9 is a left side view in an open position thereof;  
FIG. 10 is a front view in an open position thereof;  
FIG. 11 is a rear view in an open position thereof;  
FIG. 12 is a top view in an open position thereof;  
FIG. 13 is a bottom view in an open position thereof; and,  
FIG. 14 is a perspective view in an open position thereof.  
The broken lines shown in the drawings illustrate portions of the machine housing and form no part of the claimed design.

See application file for complete search history.

**1 Claim, 14 Drawing Sheets**



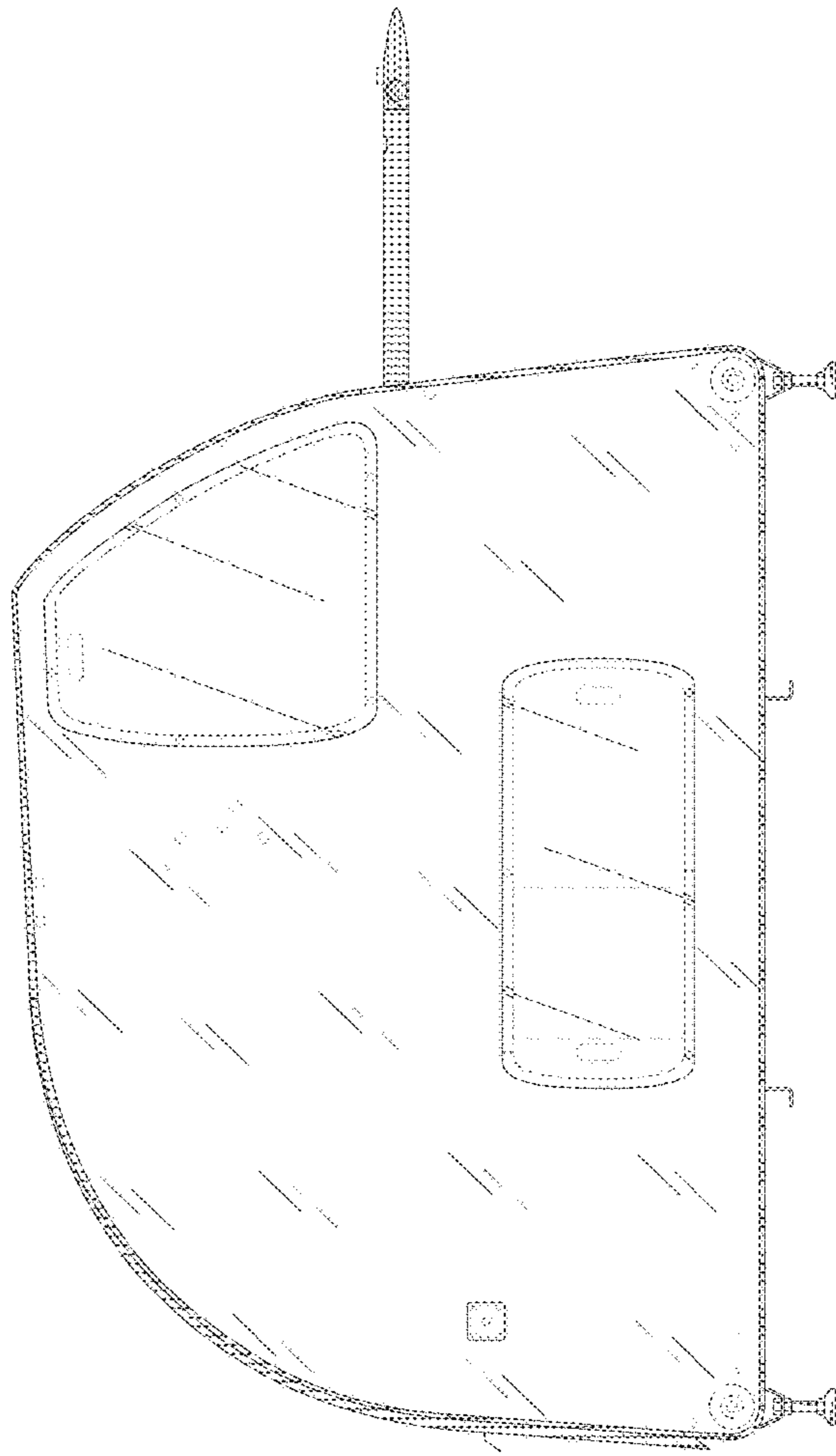


FIG. 1

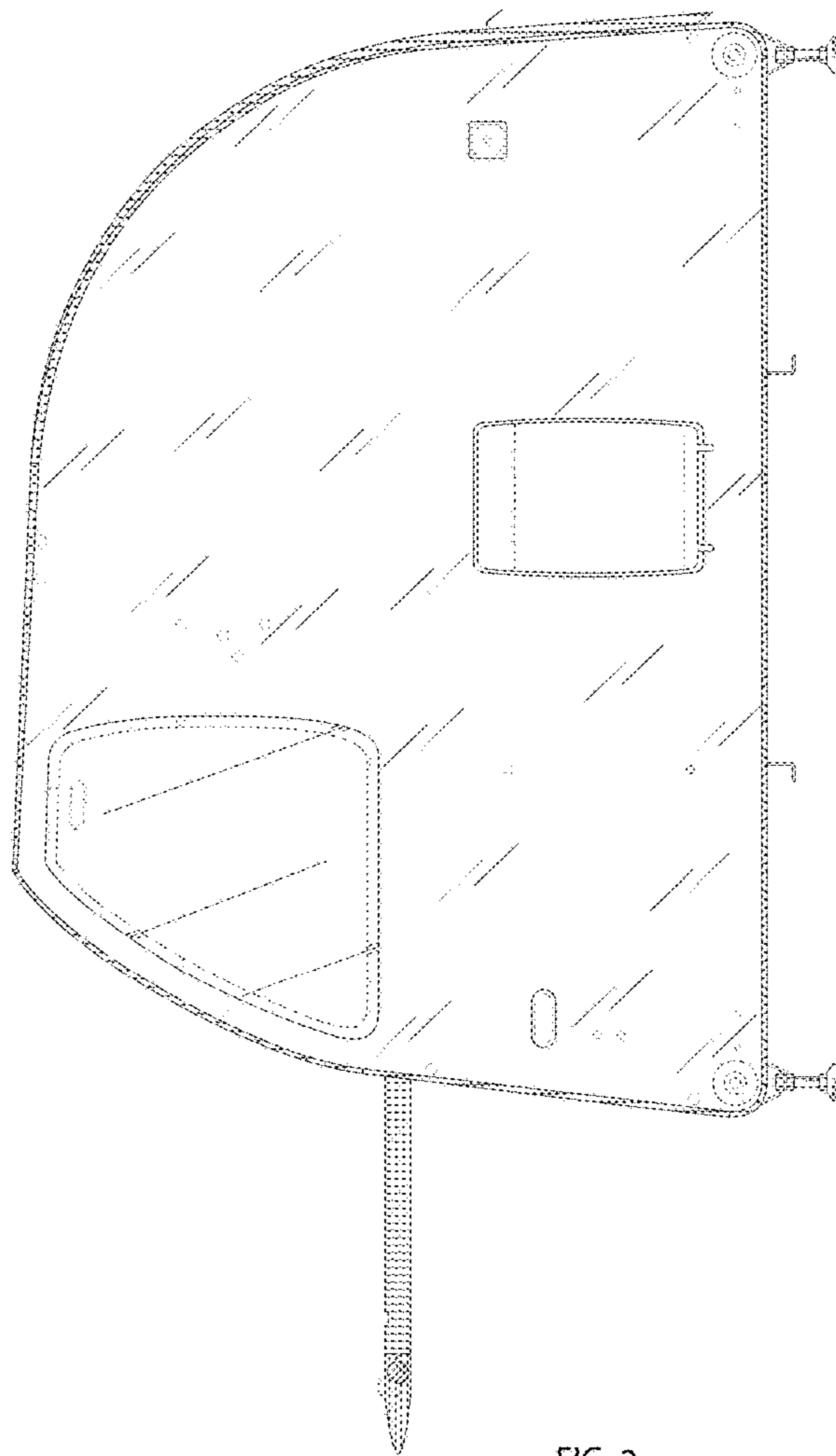


FIG. 2

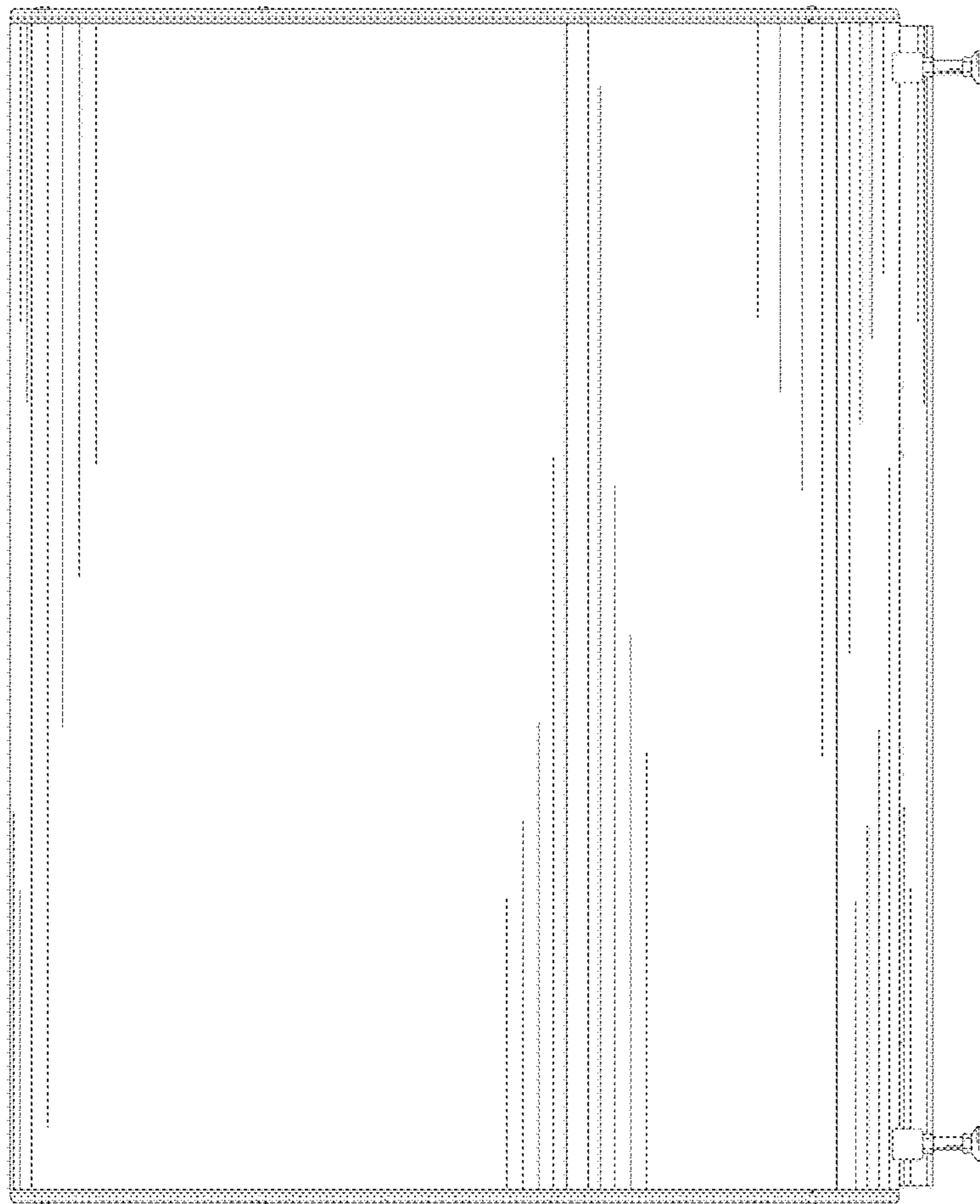


FIG. 3

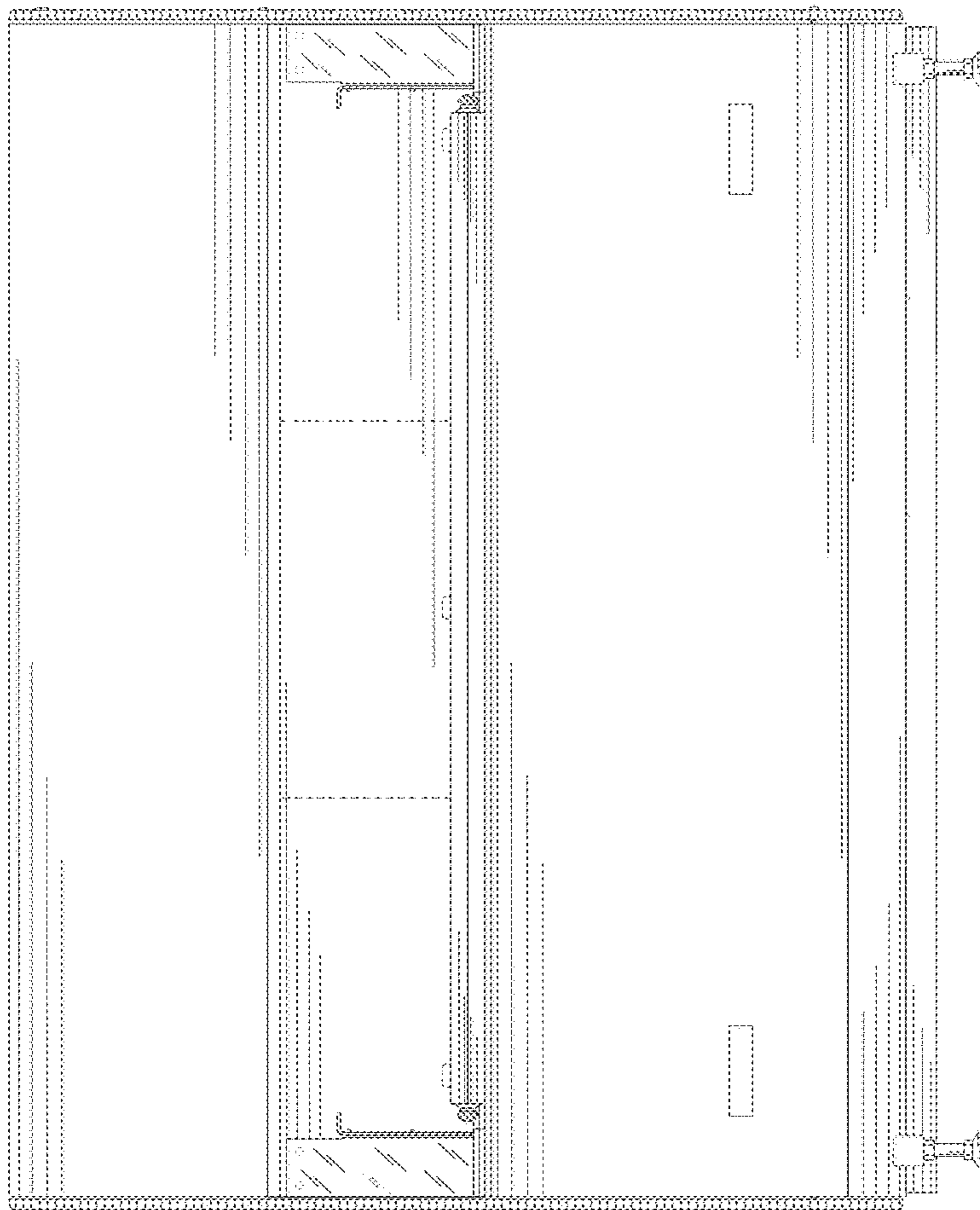


FIG. 4

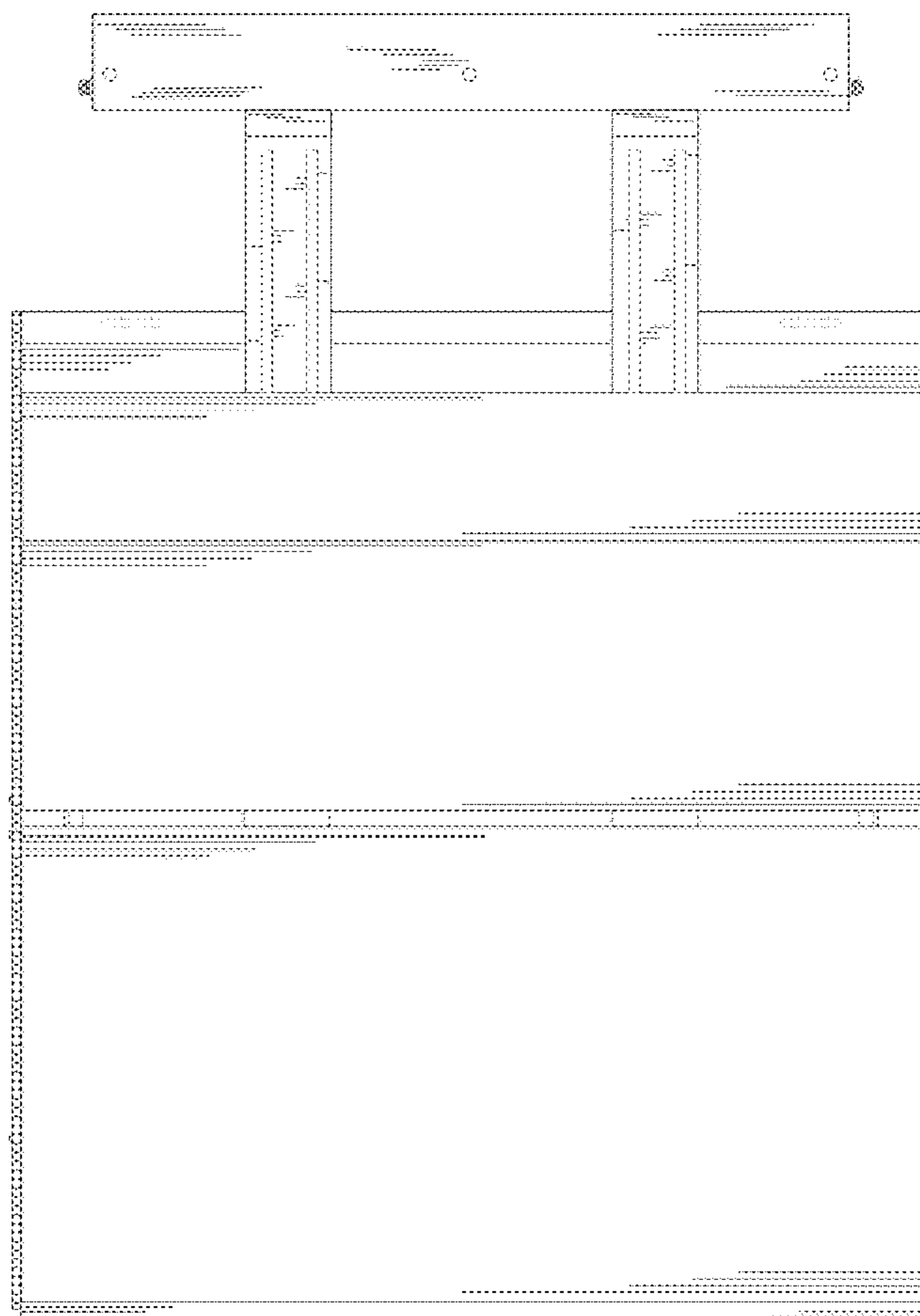


FIG. 5



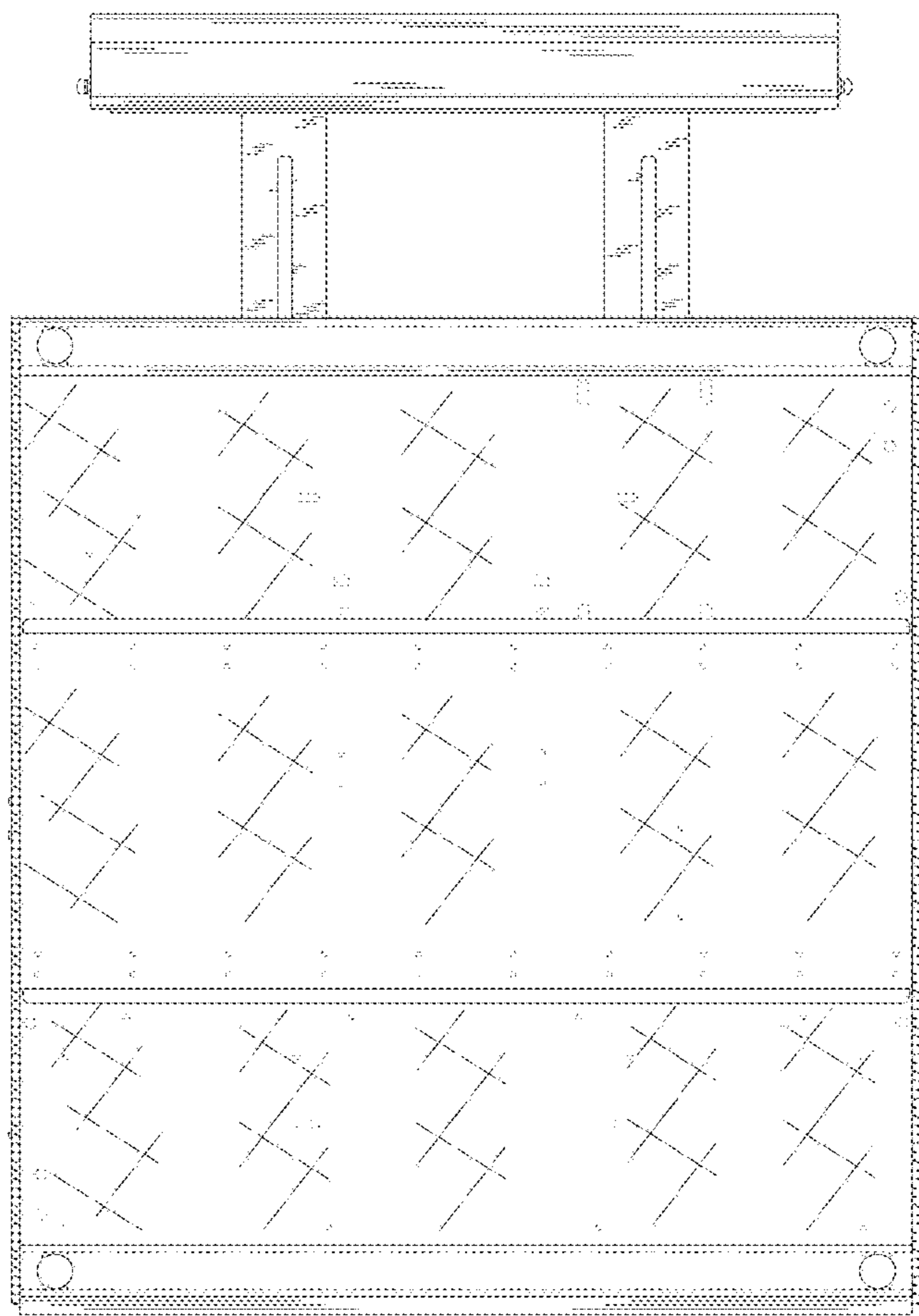


FIG. 6

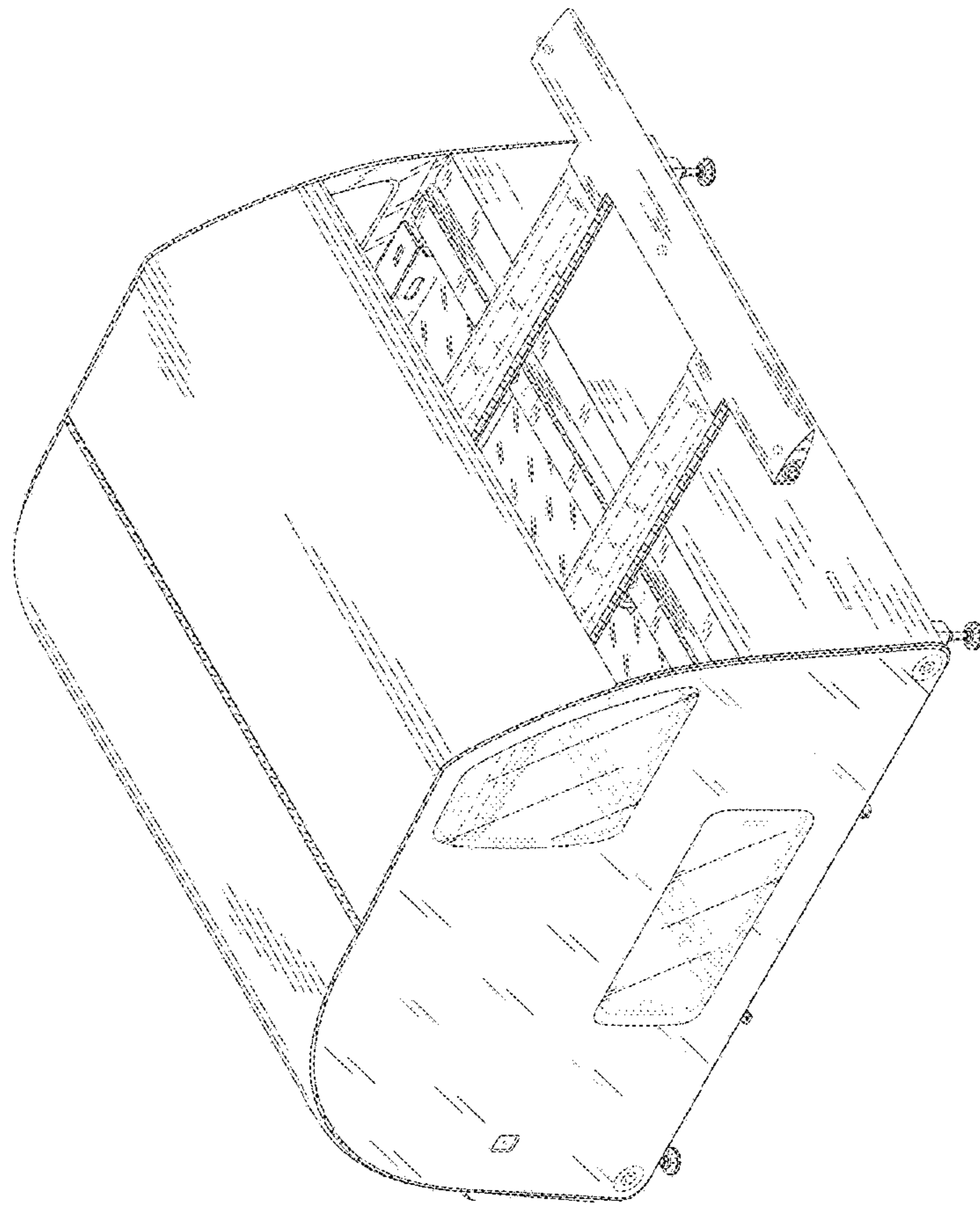


FIG. 7



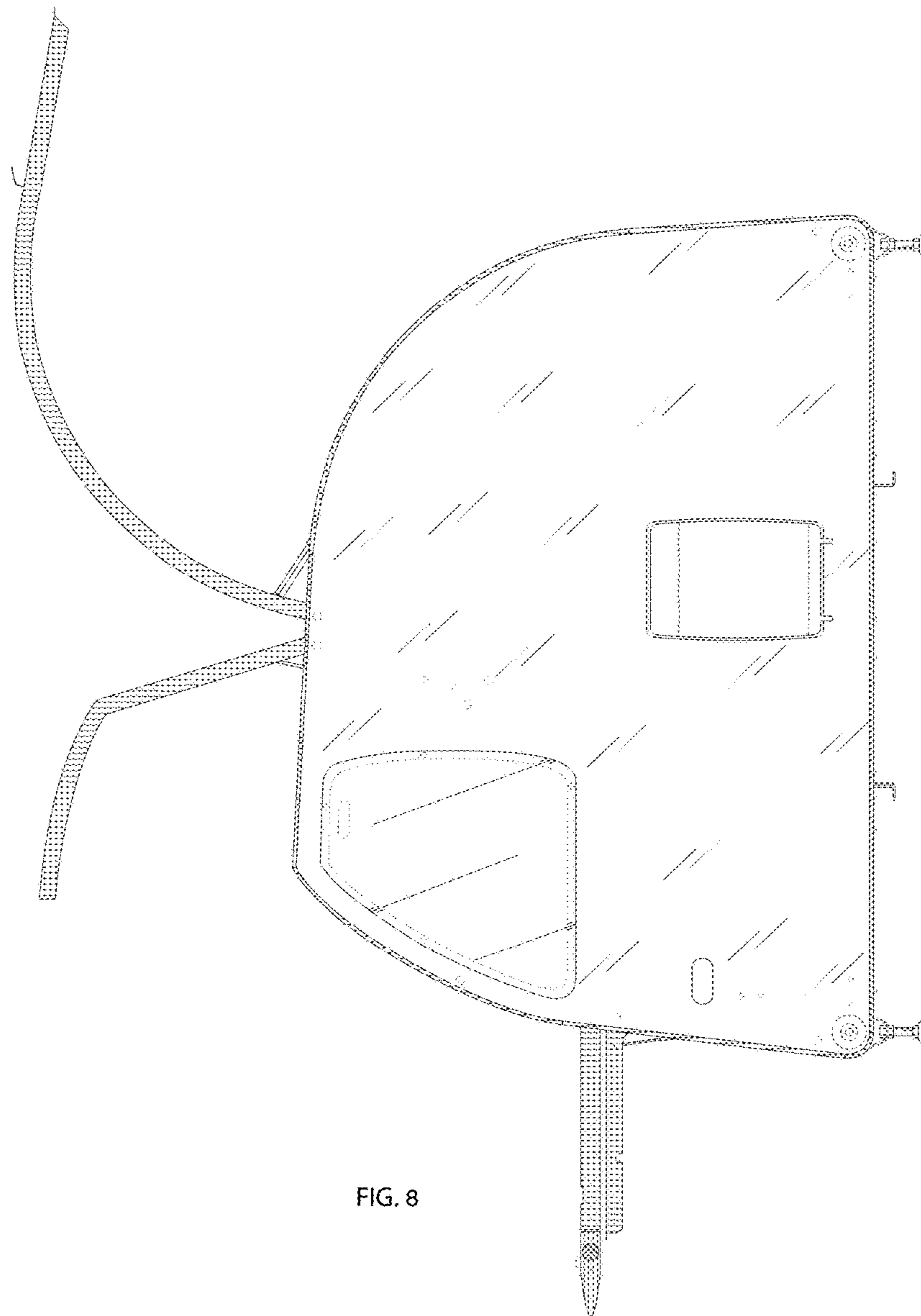


FIG. 8

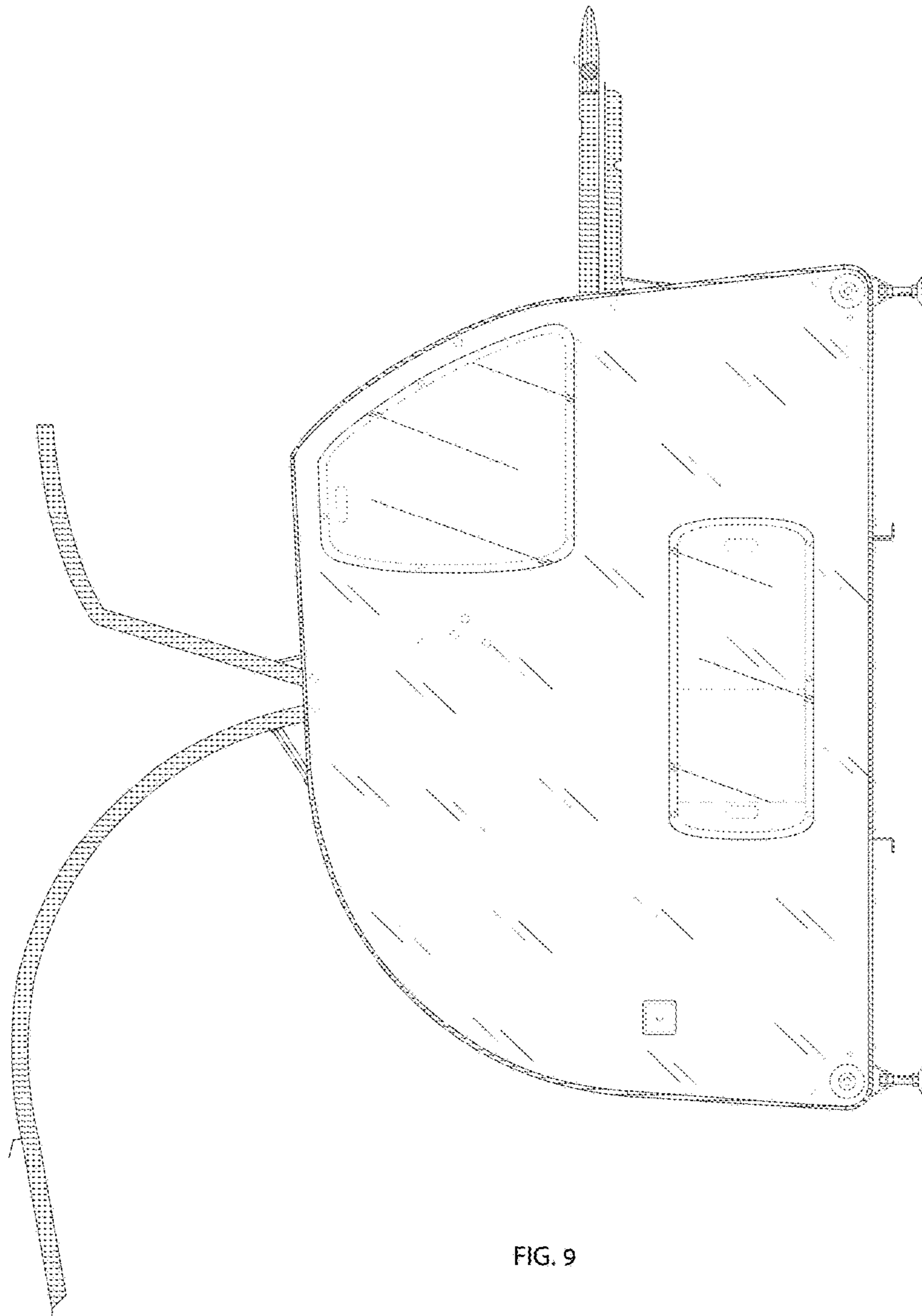


FIG. 9

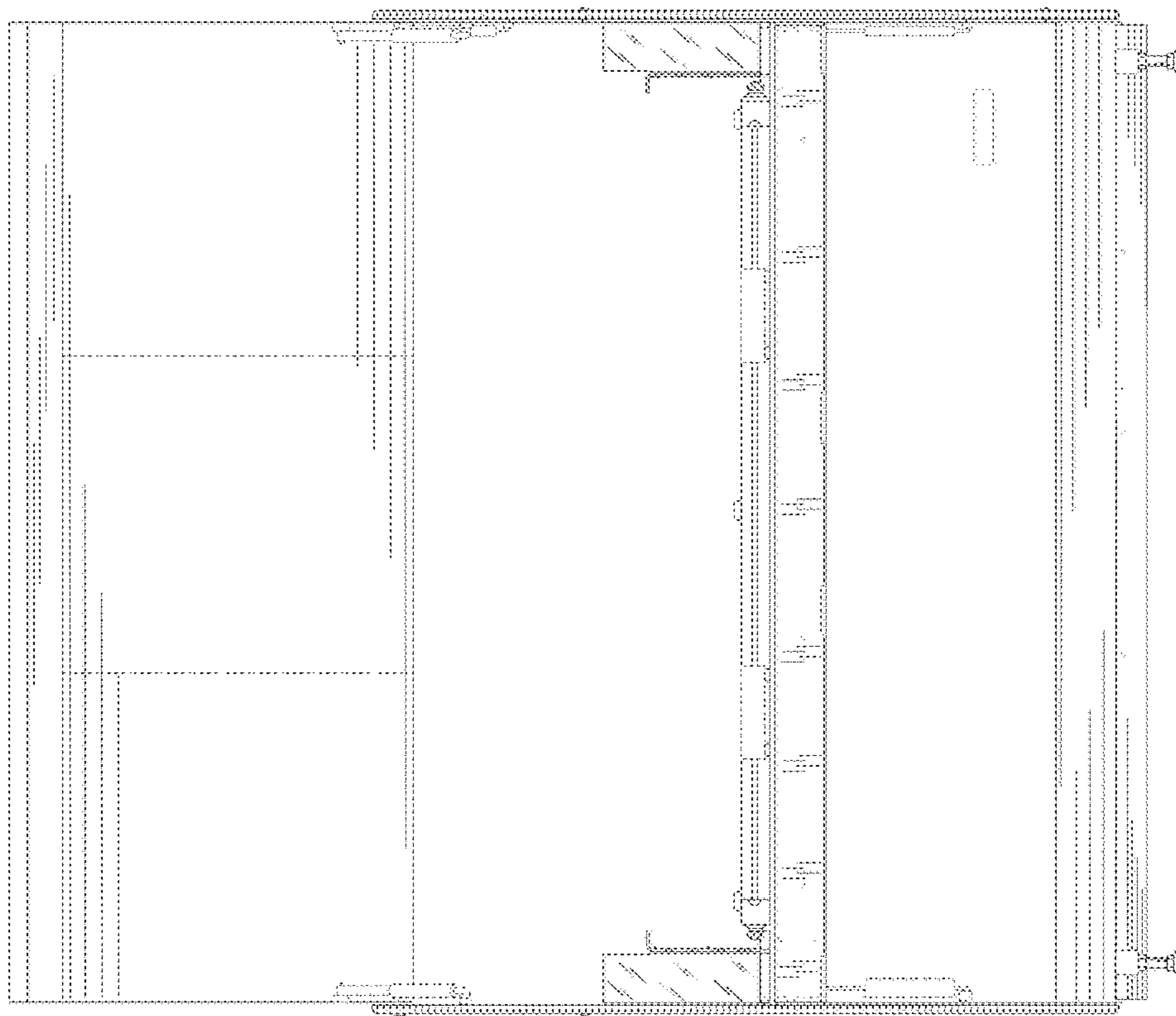


FIG. 10

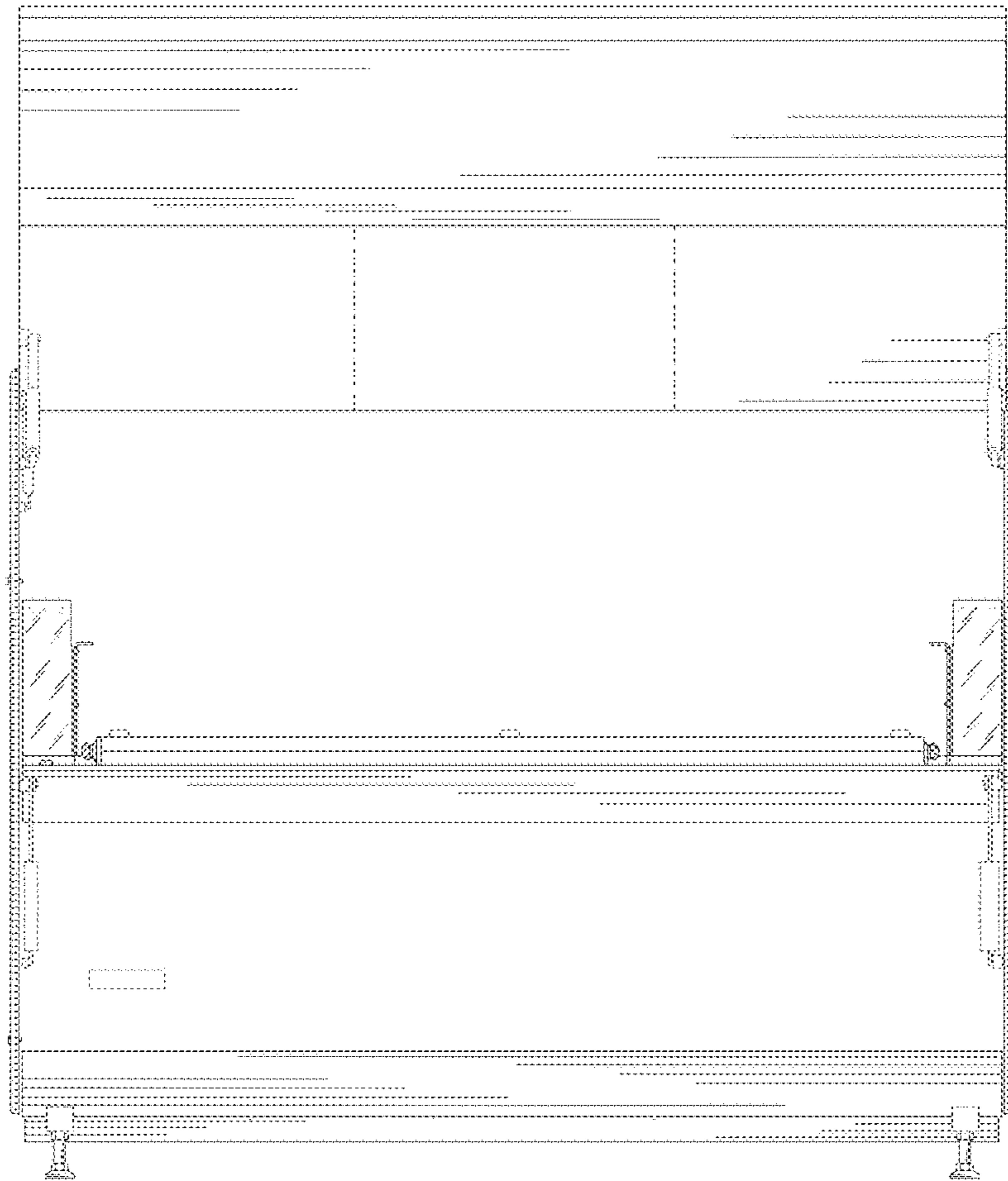


FIG. 11

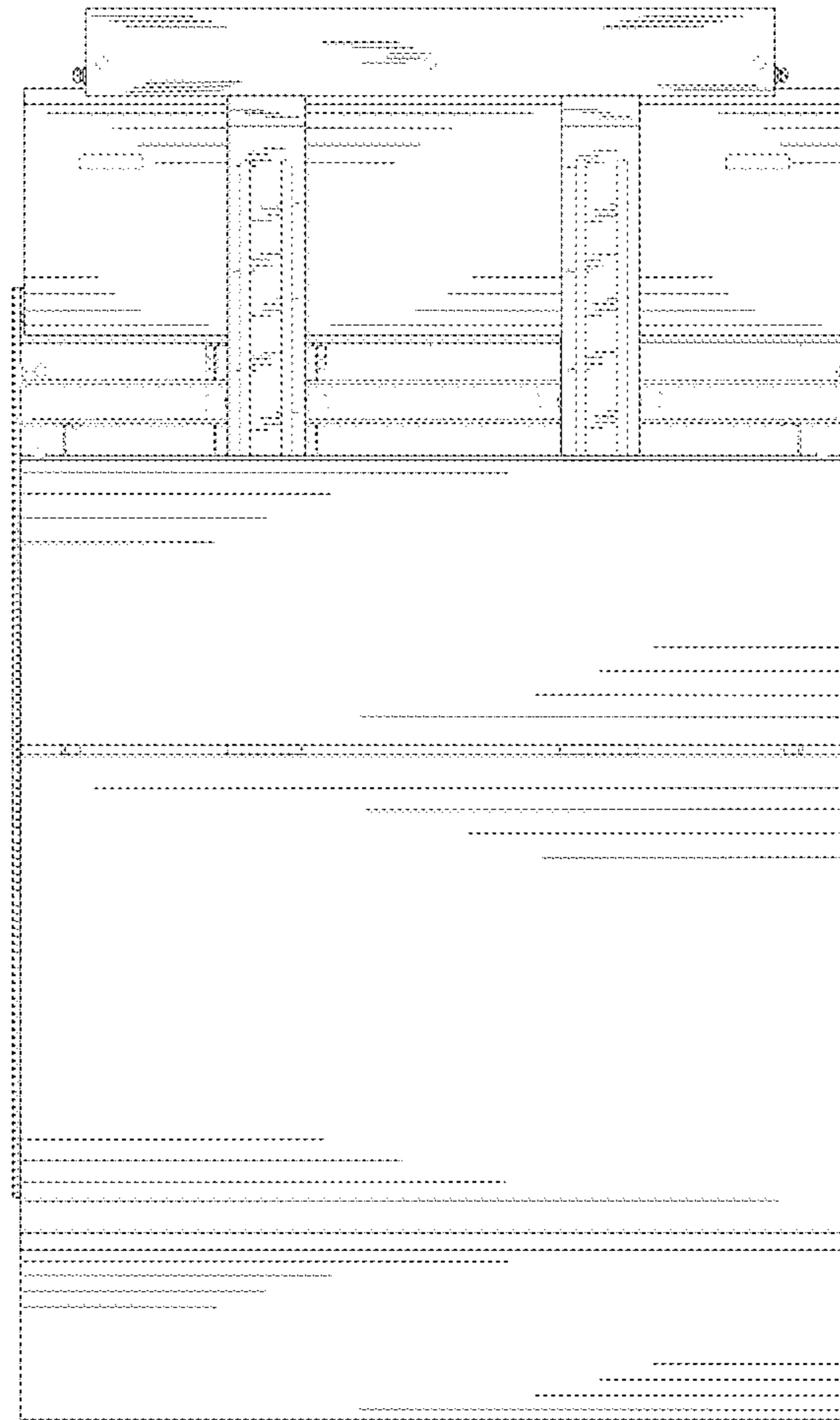


FIG. 12

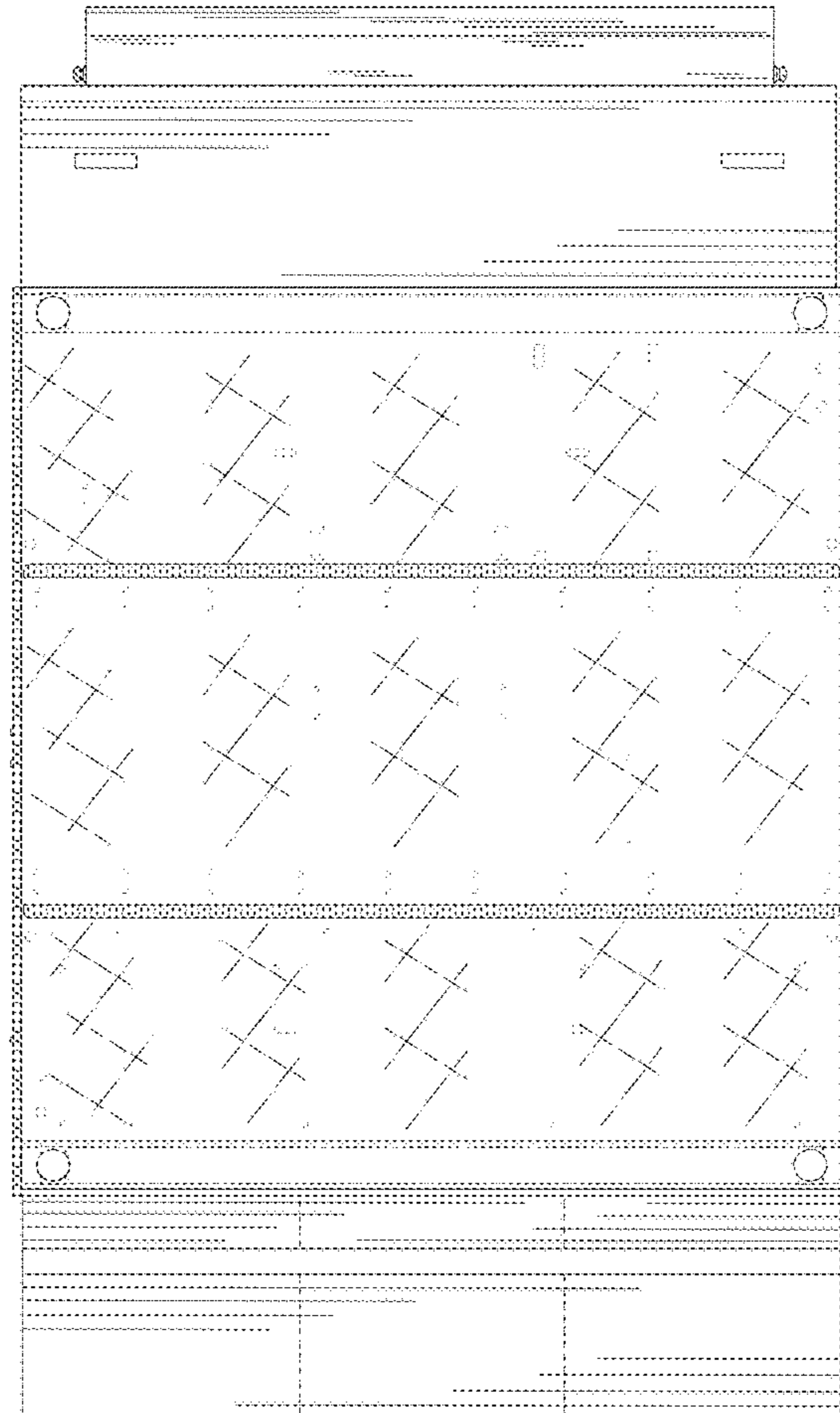


FIG. 13



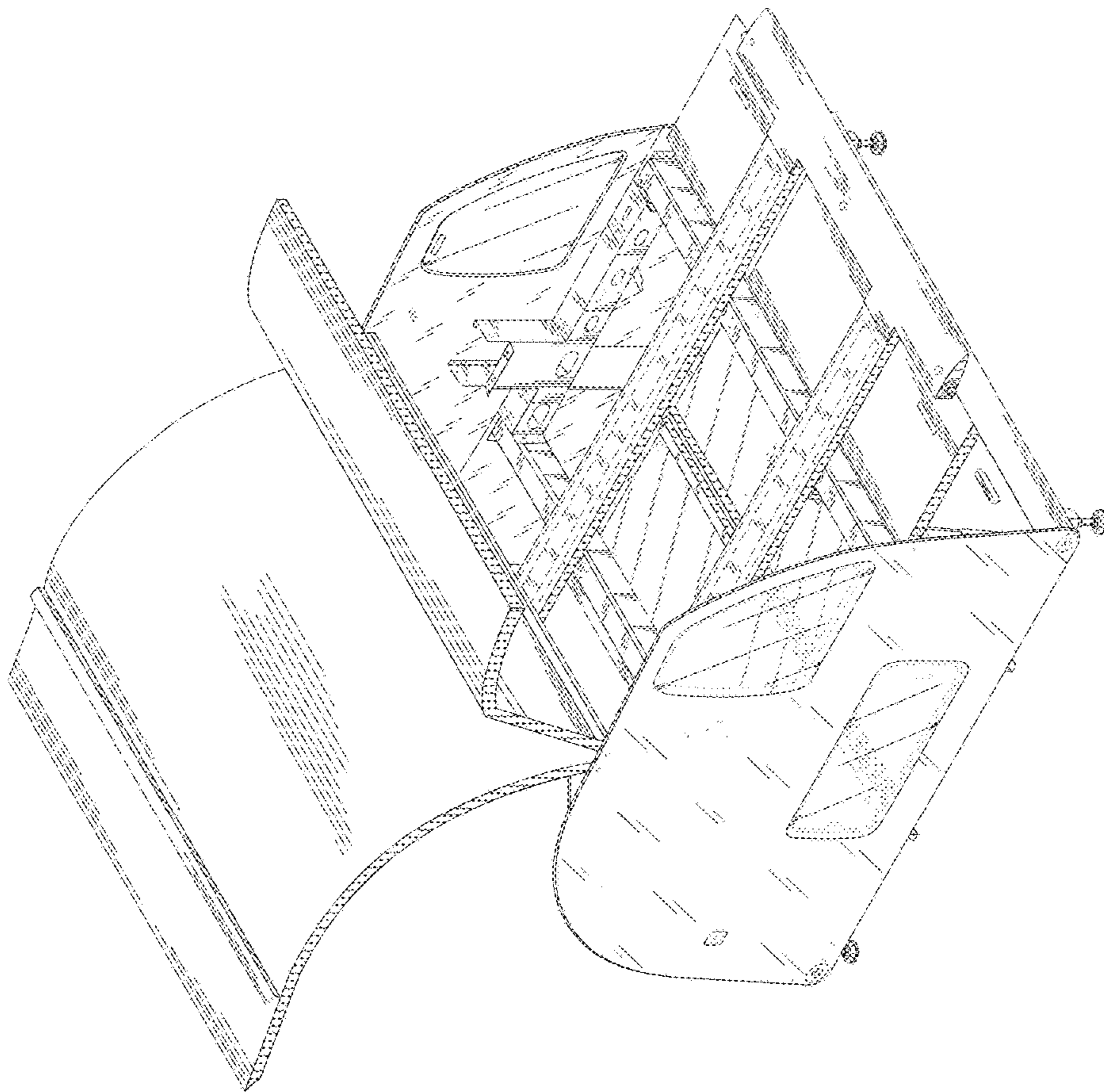


FIG. 14