



US00D846603S

(12) **United States Design Patent**
Kwon et al.

(10) **Patent No.:** **US D846,603 S**
(45) **Date of Patent:** **** Apr. 23, 2019**

(54) **SHELF FOR REFRIGERATOR**

FOREIGN PATENT DOCUMENTS

- (71) Applicant: **Samsung Electronics Co., Ltd.**, Suwon-si (KR)
- (72) Inventors: **Yoonjoo Kwon**, Seoul (KR); **Sunmin Lee**, Seoul (KR); **Seyoun Park**, Seoul (KR)
- (73) Assignee: **SAMSUNG ELECTRONICS CO., LTD.**, Suwon-si (KR)

EM	000677448-0001	3/2007
KR	30-0583126	12/2010
KR	30-0658809	9/2012
KR	30-0714876	11/2013
KR	30-0855725	5/2016

Primary Examiner — Khawaja Anwar
 (74) *Attorney, Agent, or Firm* — McAndrews Held & Malloy, Ltd.

(**) Term: **15 Years**

(21) Appl. No.: **29/633,141**

(22) Filed: **Jan. 12, 2018**

(30) **Foreign Application Priority Data**

Aug. 23, 2017 (KR) 30-2017-0039284

(51) **LOC (11) Cl.** **15-07**

(52) **U.S. Cl.**
USPC **D15/89**

(58) **Field of Classification Search**

USPC D15/79-91; D14/239; D6/707, 707.7, D6/324, 705, 705.7, 702, 706, 707.19, D6/675.3, 672, 675, 675.1

CPC F25D 23/028; F25D 11/02; F25D 23/126; F25D 25/02; F25D 27/00; F25D 27/005; F25D 23/025; F25D 23/04; F25D 2323/021; F25D 2323/023; F25D 23/062; F25D 25/025; F25D 17/045; F25D 2325/021; F25D 2325/022; F25D 23/00; F25D 23/02; F25D 23/067; F25D 23/069; F25D 2400/361; F25D 2500/02; F25D 2500/26; F25D 25/024; F25D 29/00; F25D 11/00;

(Continued)

(56) **References Cited**

U.S. PATENT DOCUMENTS

- D385,287 S * 10/1997 Westcott D15/89
- D512,731 S * 12/2005 Grobleben D15/89

(Continued)

(57) **CLAIM**

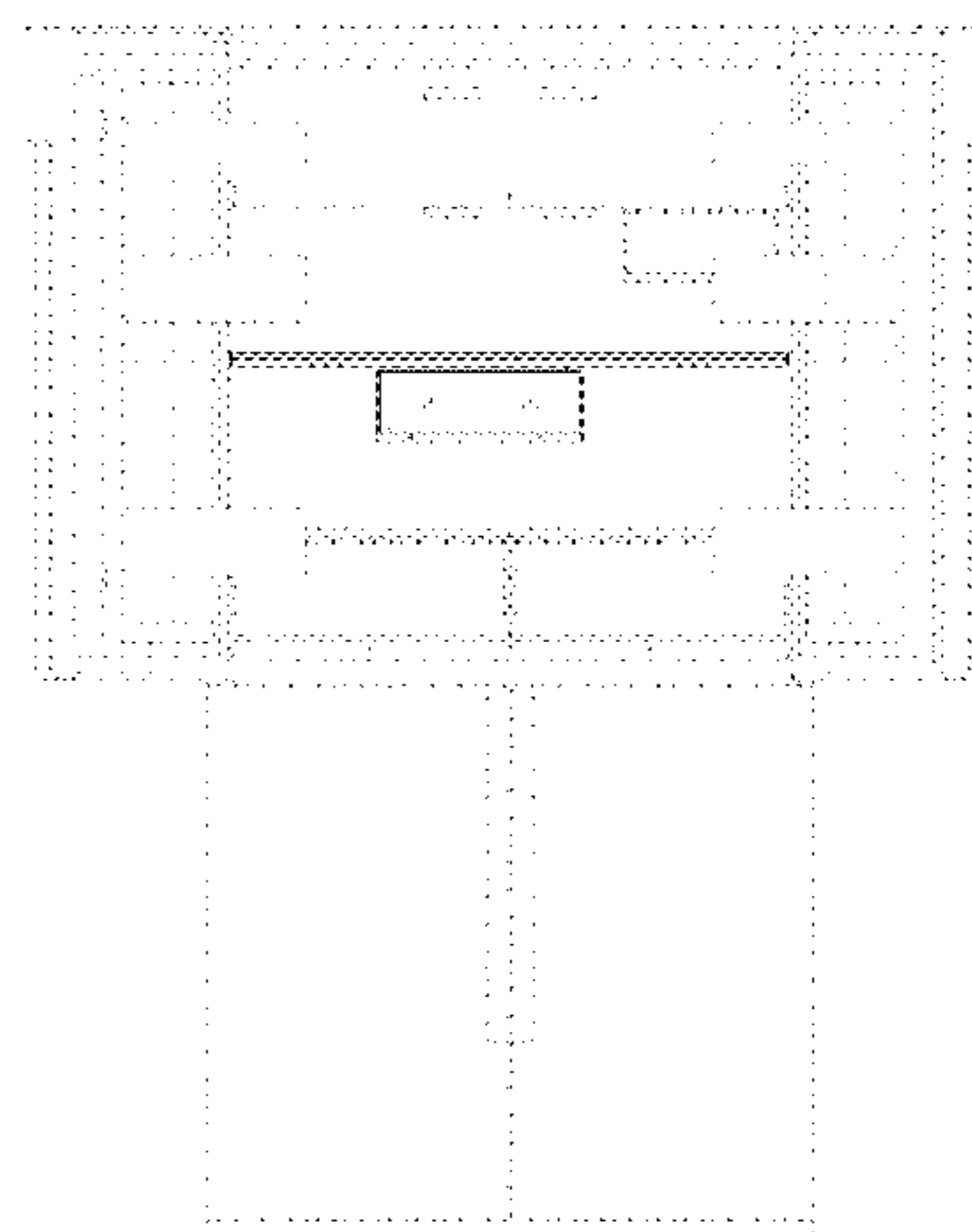
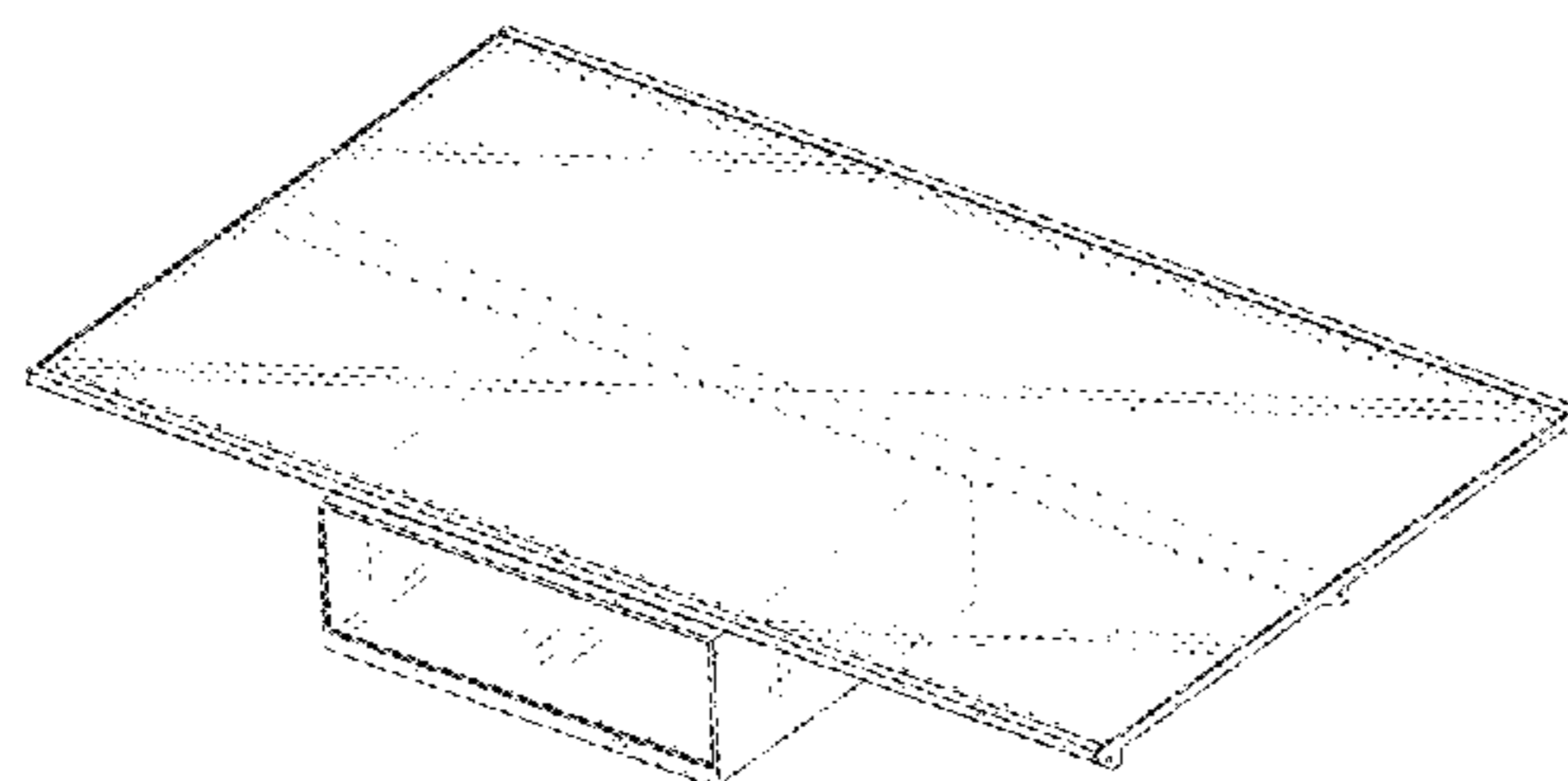
The ornamental design for a shelf for refrigerator, as shown and described.

DESCRIPTION

FIG. 1 is a front perspective view of a shelf for refrigerator showing our new design;
 FIG. 2 is a front view thereof;
 FIG. 3 is a rear view thereof;
 FIG. 4 is a left side view thereof;
 FIG. 5 is a right side view thereof;
 FIG. 6 is a top view thereof;
 FIG. 7 is a bottom view thereof;
 FIG. 8 is a cross-sectional view taken along the line 8-8 of FIG. 2;
 FIG. 9 is an enlarged view of the encircled portion 9 in FIG. 8;
 FIG. 10 is another front perspective view thereof depicting the drawer in an alternate position; and,
 FIG. 11 is another front view thereof showing an example refrigerator in dashed broken lines to provide example environment.

The dashed broken lines in the drawings represent example environment and form no part of the claimed design. The dot-dash broken lines in the drawings encircle portions of the claimed design that are illustrated in enlargements and form no part of the claimed design.

1 Claim, 10 Drawing Sheets



(58) **Field of Classification Search**

CPC F25D 11/022; F25D 17/065; F25D 21/04;
F25D 2317/061; F25D 2317/063; F25D
2317/0651; F25D 2317/0653; F25D
2317/0661; F25D 2317/0665; F25D
2323/121; F25D 2323/122; F25D
2327/00; F25D 2327/001; F25D 2331/81;
F25D 23/021; F25D 23/06; F25D 23/066;
F25D 23/10; F25D 23/12; F25D 2400/00;
F25D 2400/02; F25D 2400/04; F25D
2400/16; F25D 2400/36; F25D 2400/40;
F25D 25/022; F25D 25/027; F25D
25/028; F25D 2600/02; F25D 2600/06;
F25D 2700/00; F25D 2700/04; F25D
2700/12; F25D 2700/122; F25D 2700/14;
F25D 29/005; F25D 31/00; F25D 31/002;
F25D 31/005

See application file for complete search history.

(56)

References Cited

U.S. PATENT DOCUMENTS

D531,428	S	*	11/2006	Choo	D6/675.1
D546,587	S	*	7/2007	Devolder	D6/675.1
D559,577	S	*	1/2008	Quinn	D6/300
D563,695	S	*	3/2008	Yamaguchi	D6/675.3
D603,191	S	*	11/2009	Priestman	D6/675.1
D603,386	S	*	11/2009	Le	D14/239
D707,209	S	*	6/2014	Ranaletta	D14/239
D719,555	S	*	12/2014	Yoon	D14/239
D724,118	S	*	3/2015	Kim	D15/89
D747,373	S	*	1/2016	Lee	D15/89
D783,061	S	*	4/2017	Kim	D15/89
D794,686	S	*	8/2017	Kim	D15/89
D831,012	S	*	10/2018	Kim	D14/239

* cited by examiner

FIG. 1

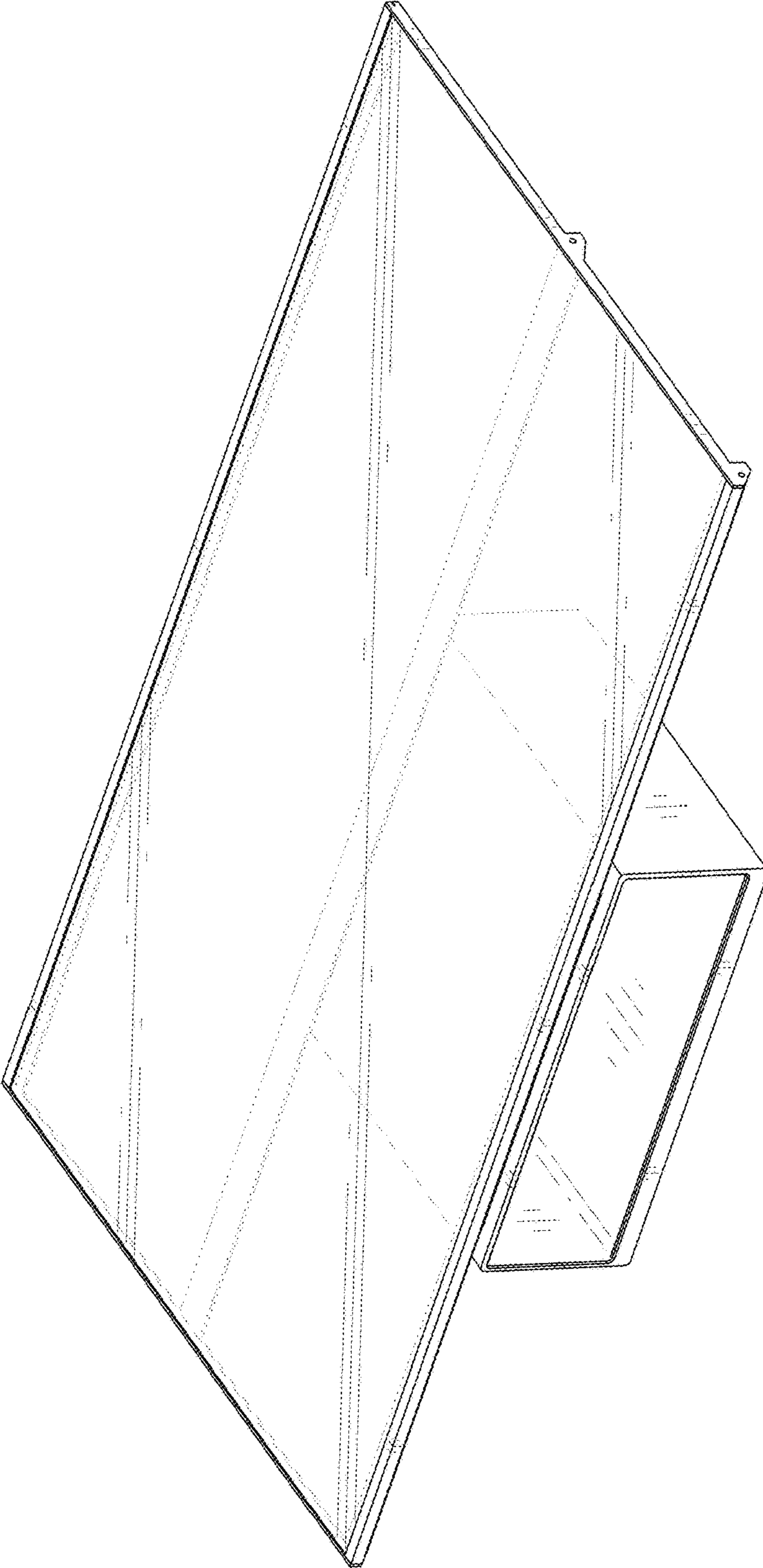


FIG. 2

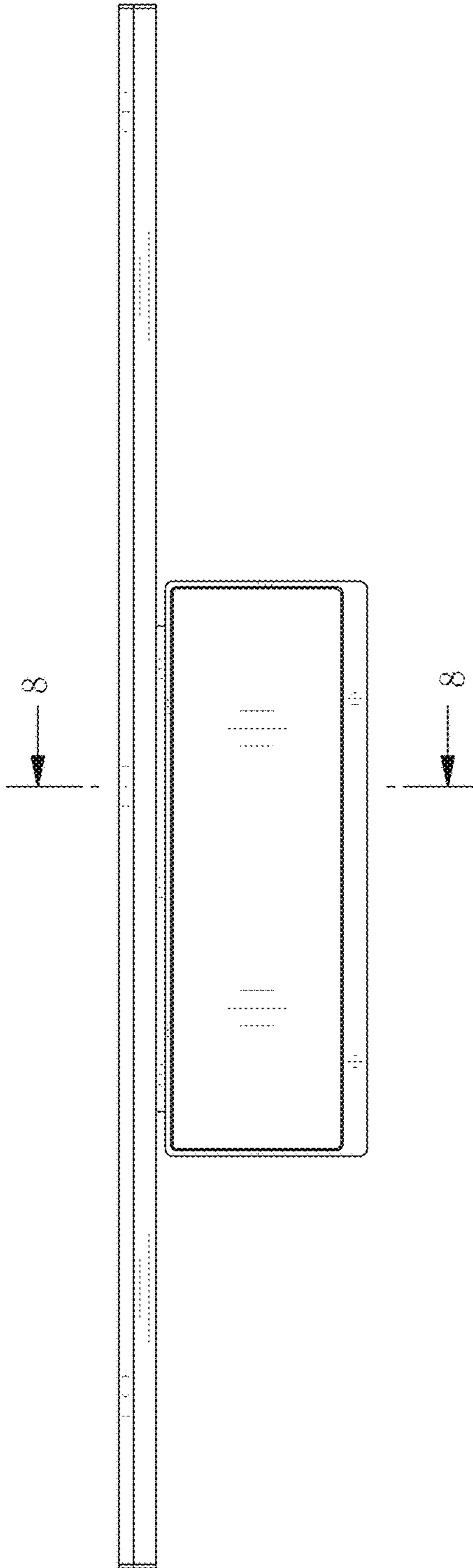


FIG. 3

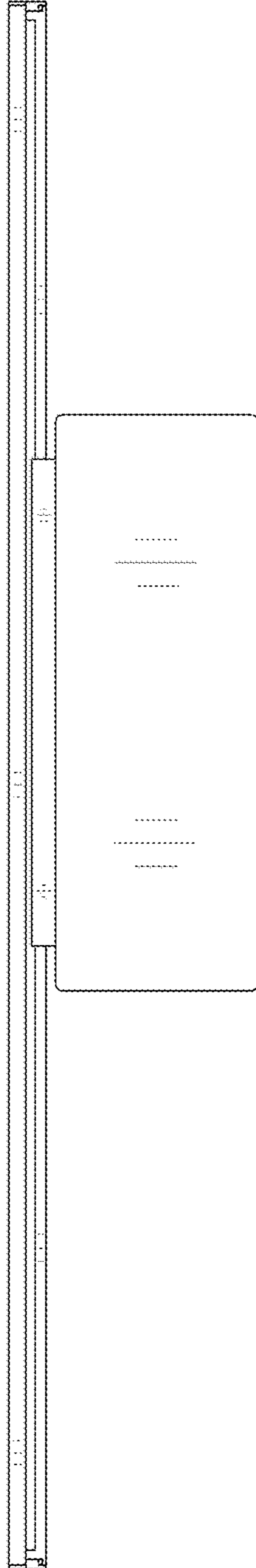


FIG. 4

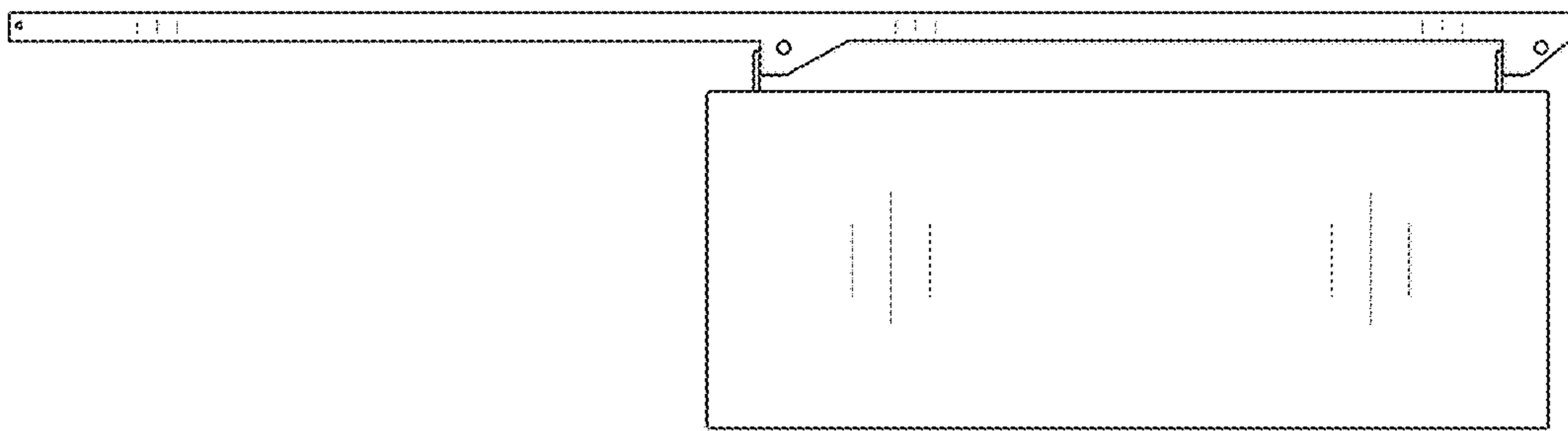


FIG. 5

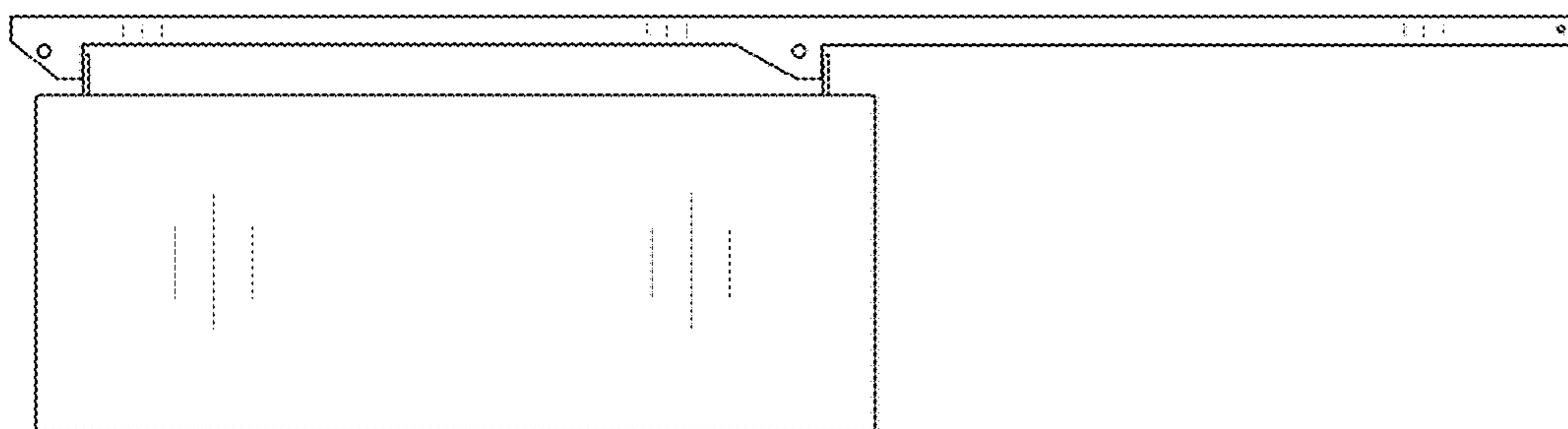


FIG. 6

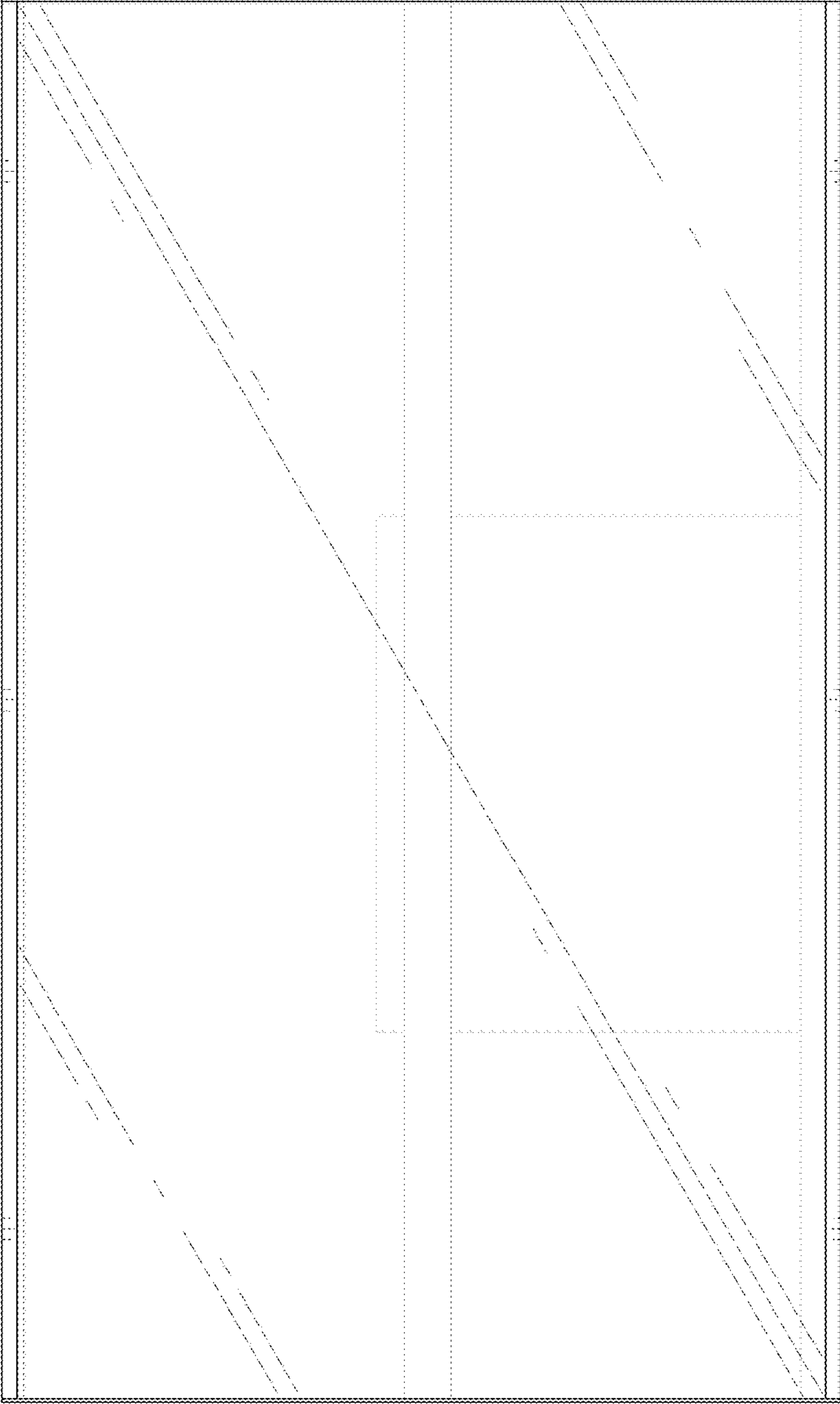


FIG. 7

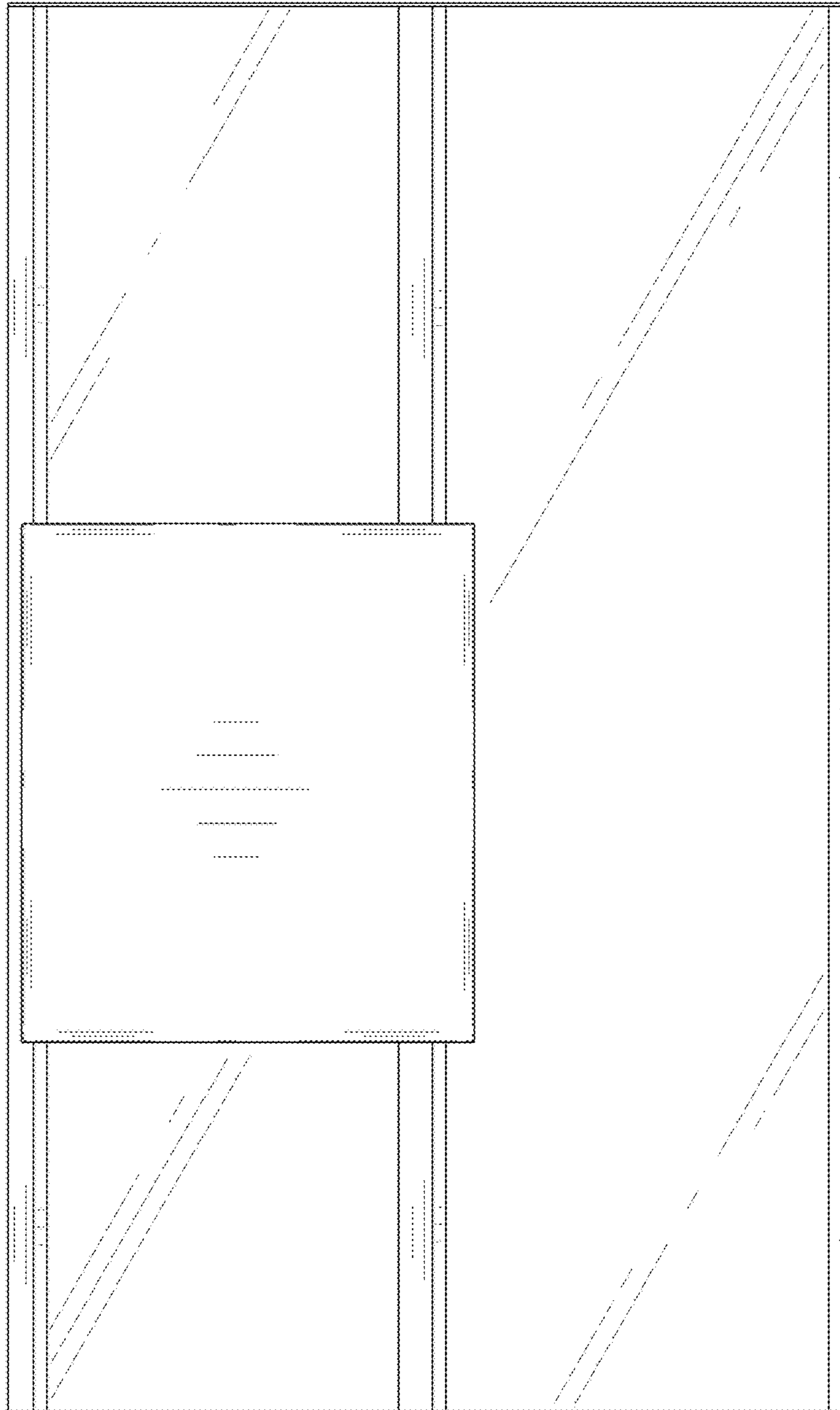


FIG. 8

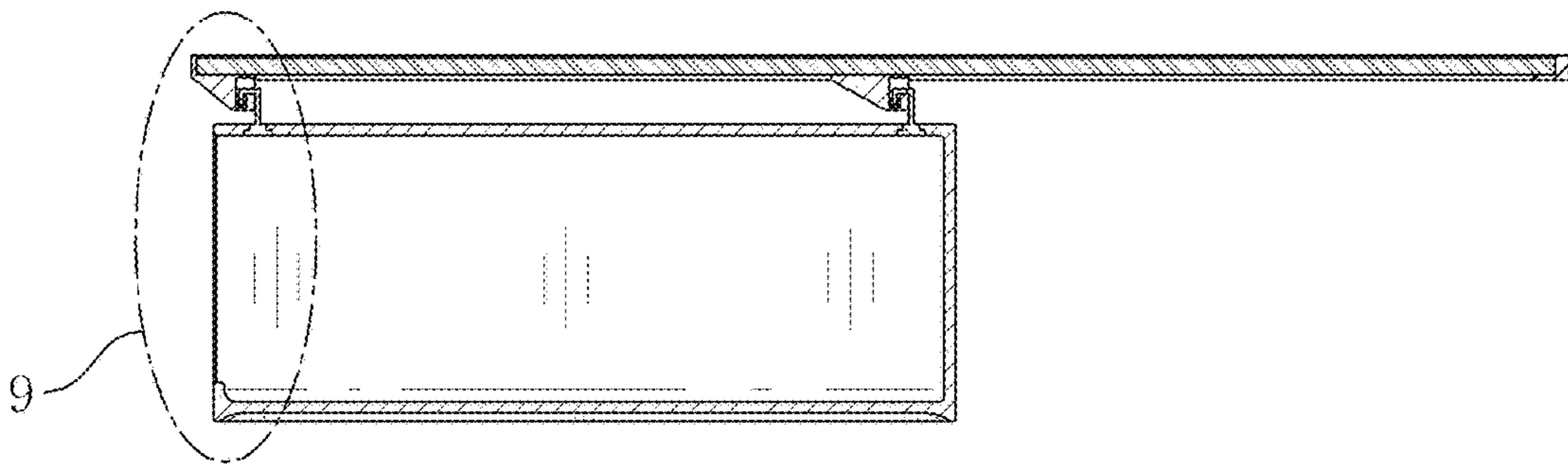


FIG. 9

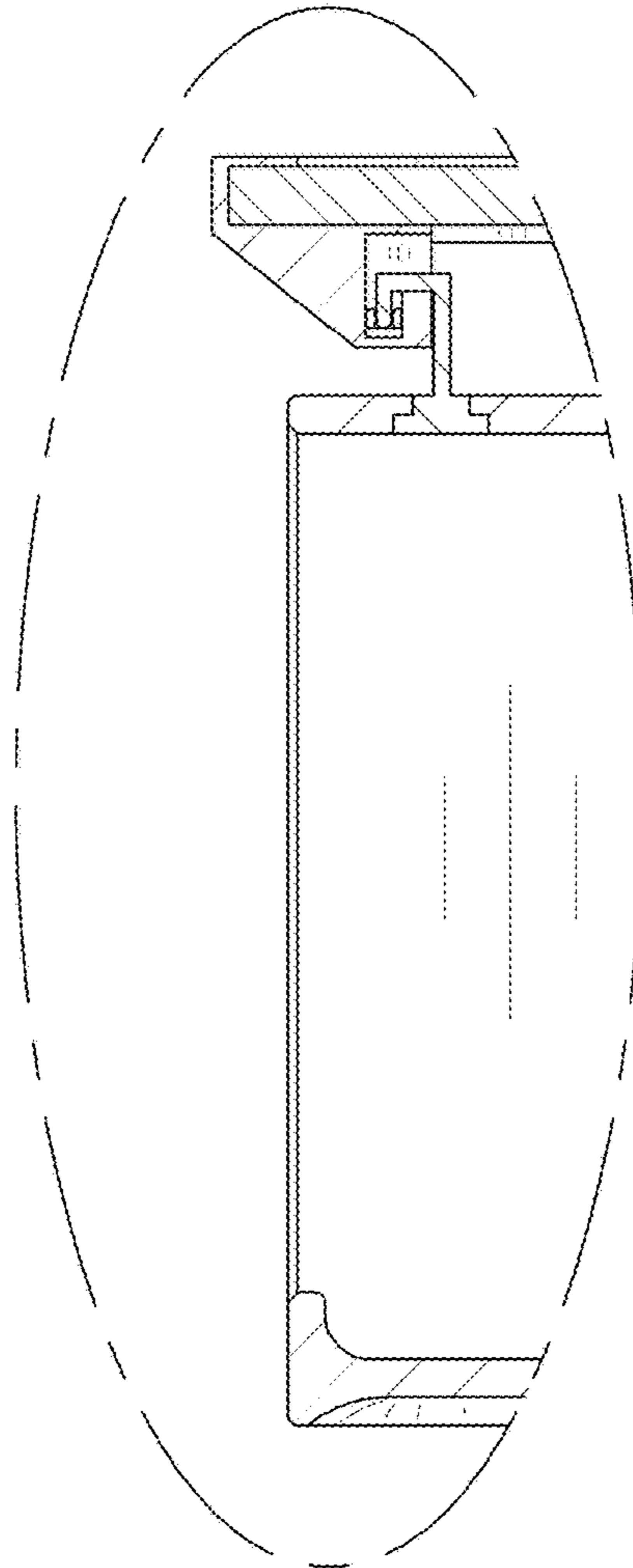


FIG. 10

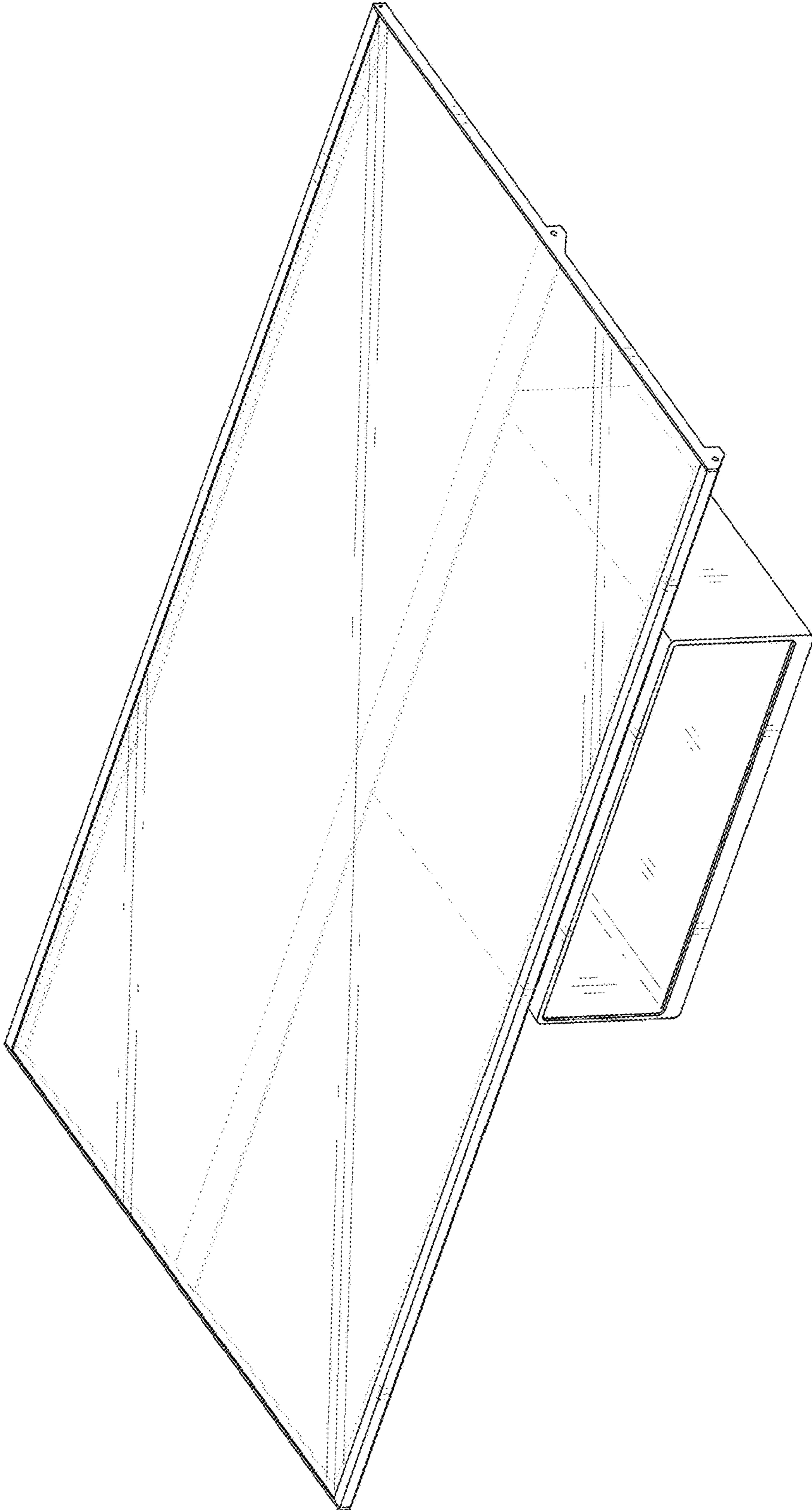


FIG. 11

