



US00D846602S

(12) **United States Design Patent**  
**Onrat**

(10) **Patent No.:** **US D846,602 S**

(45) **Date of Patent:** **\*\* Apr. 23, 2019**

- (54) **REFRIGERATOR DRAWER**
- (71) Applicant: **Arcelik Anonim Sirketi**, Istanbul (TR)
- (72) Inventor: **Onur Onrat**, Istanbul (TR)
- (73) Assignee: **ARCELIK ANONIM SIRKETI**, Istanbul (TR)
- (\*\*) Term: **15 Years**
- (21) Appl. No.: **29/613,772**
- (22) Filed: **Aug. 14, 2017**

D612,872 S *	3/2010	Baacke	.....	D15/89
D694,289 S *	11/2013	Hottmann	.....	D15/89
D694,291 S *	11/2013	Hottmann	.....	D15/89
D707,267 S *	6/2014	Choi	.....	D15/89
D710,406 S *	8/2014	Seo	.....	D15/89
D714,840 S *	10/2014	Yang	.....	D15/89
D723,593 S *	3/2015	Ryu	.....	D15/89
D733,773 S *	7/2015	Lee	.....	D15/89
D734,784 S *	7/2015	Kim	.....	D15/89
D786,949 S *	5/2017	Onrat	.....	D15/89
D788,191 S *	5/2017	Kim	.....	D15/89

\* cited by examiner

**Related U.S. Application Data**

- (62) Division of application No. 29/556,858, filed on Mar. 3, 2016, now Pat. No. Des. 822,723.

*Primary Examiner* — Khawaja Anwar

(74) *Attorney, Agent, or Firm* — Fox Rothschild LLP

(30) **Foreign Application Priority Data**

Sep. 3, 2015 (EP) ..... 002765271

- (51) **LOC (11) Cl.** ..... **15-07**

- (52) **U.S. Cl.**  
USPC ..... **D15/89**

- (58) **Field of Classification Search**  
USPC ..... D15/79-91  
CPC .. F25C 5/182; F25C 2400/08; F25C 2400/10;  
F25C 2400/14; F25C 2700/04; F25C  
5/005; F25C 5/007; F25C 5/046; F25C  
5/185

See application file for complete search history.

(56) **References Cited**

**U.S. PATENT DOCUMENTS**

- D378,821 S \* 4/1997 Westcott ..... D15/89
- D607,021 S \* 12/2009 Baacke ..... D15/89

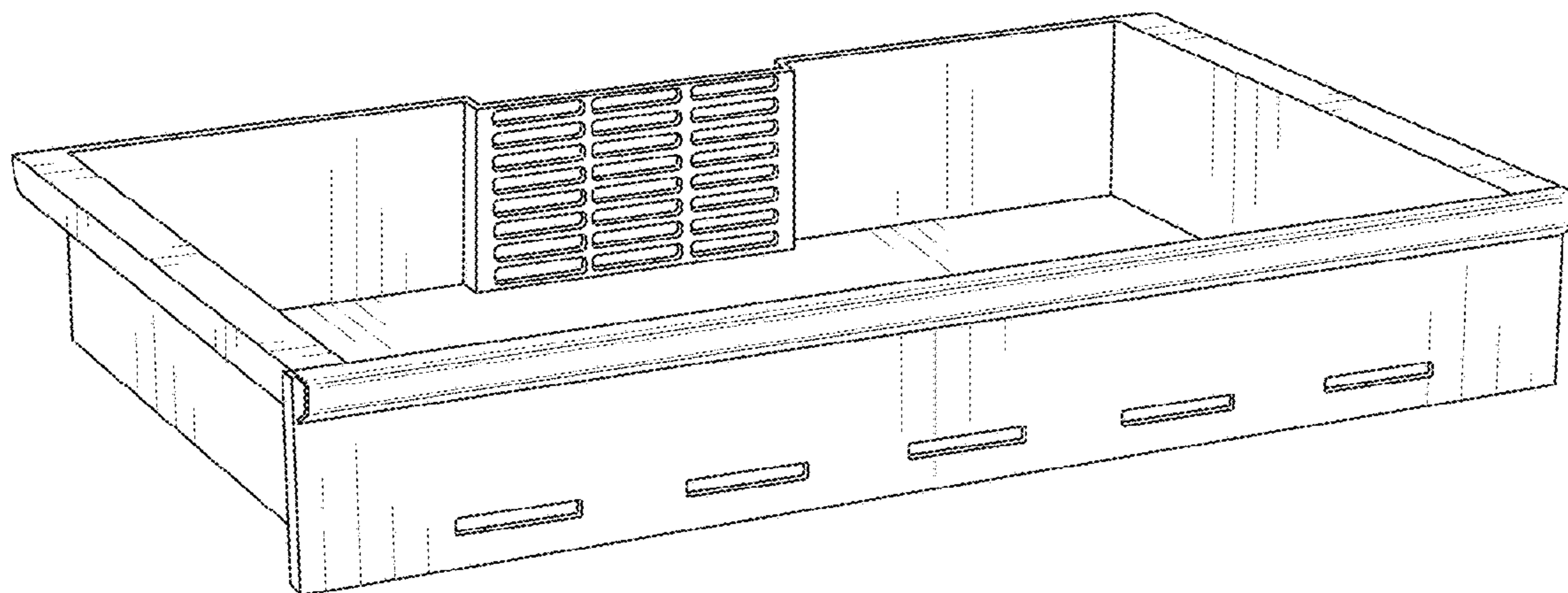
(57) **CLAIM**

The ornamental designs for a refrigerator drawer, as shown and described.

**DESCRIPTION**

FIG. 1 is a perspective view of a refrigerator drawer, showing our new design;  
 FIG. 2 is a front elevation view of the refrigerator drawer of FIG. 1;  
 FIG. 3 is a top plan view of the refrigerator drawer of FIG. 1, the bottom view is disclaimed;  
 FIG. 4 is a rear elevation view of the refrigerator drawer of FIG. 1; and,  
 FIG. 5 is a left side elevation view of the refrigerator drawer of FIG. 1, the right side view being a mirror image thereof.

**1 Claim, 5 Drawing Sheets**



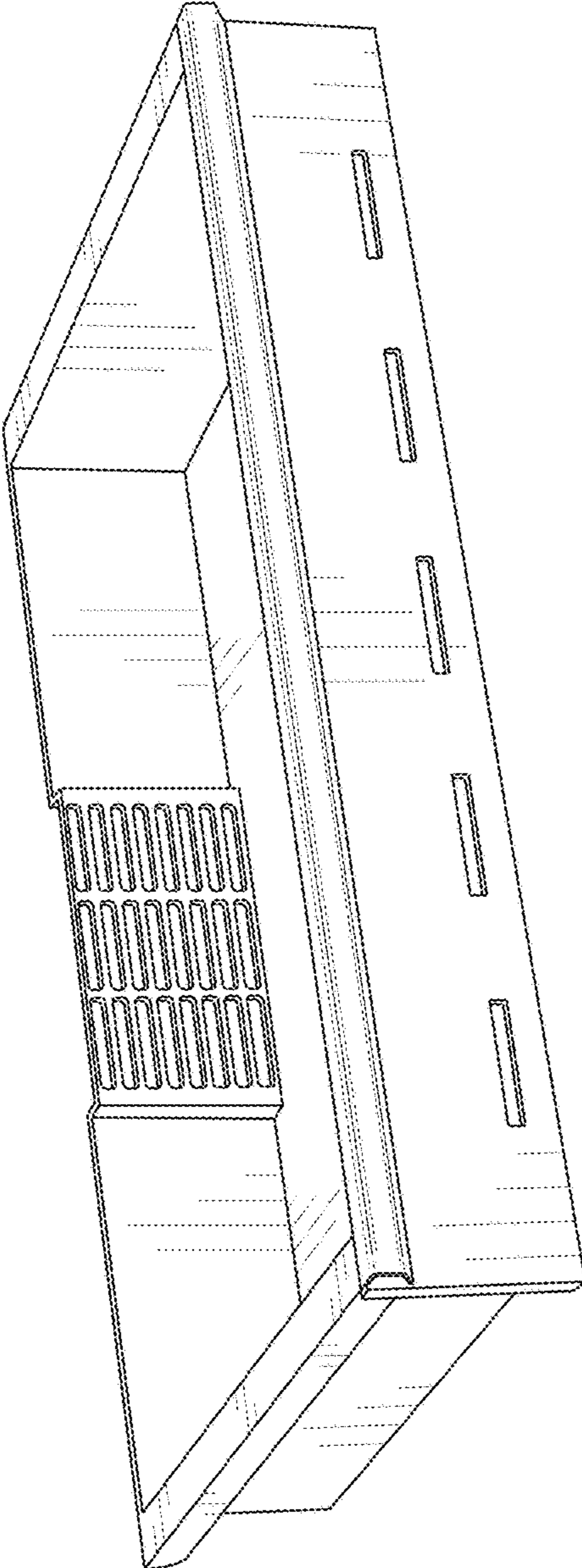


FIG. 1

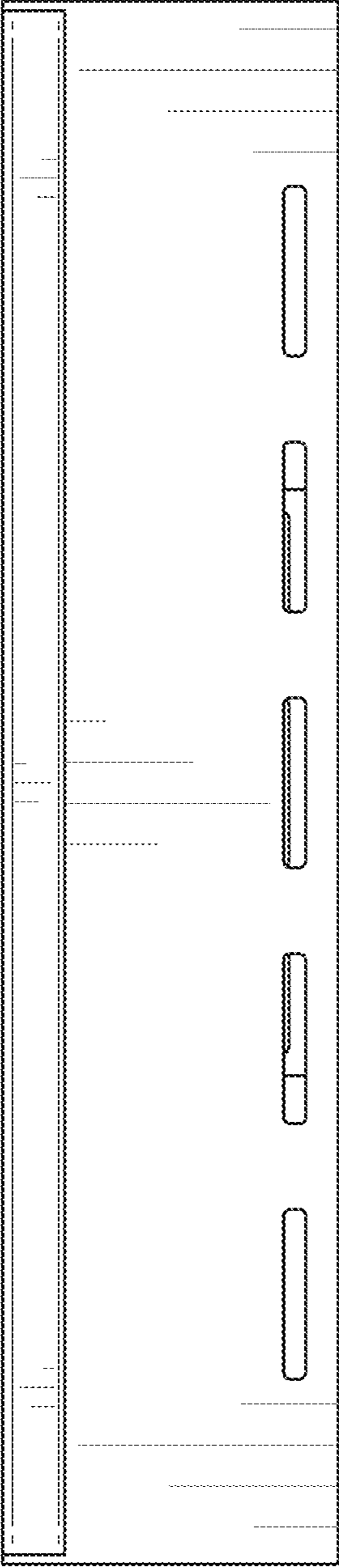


FIG. 2

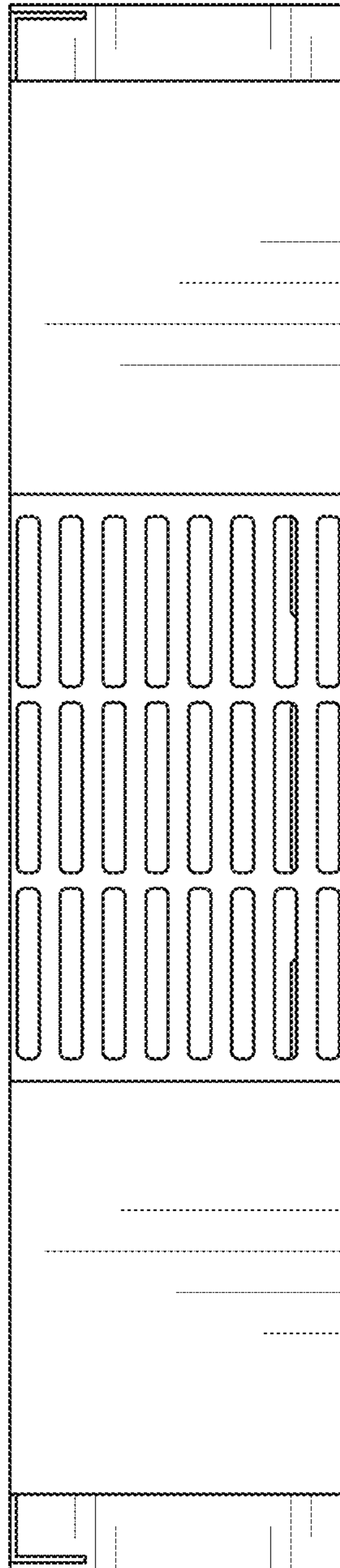


FIG. 3

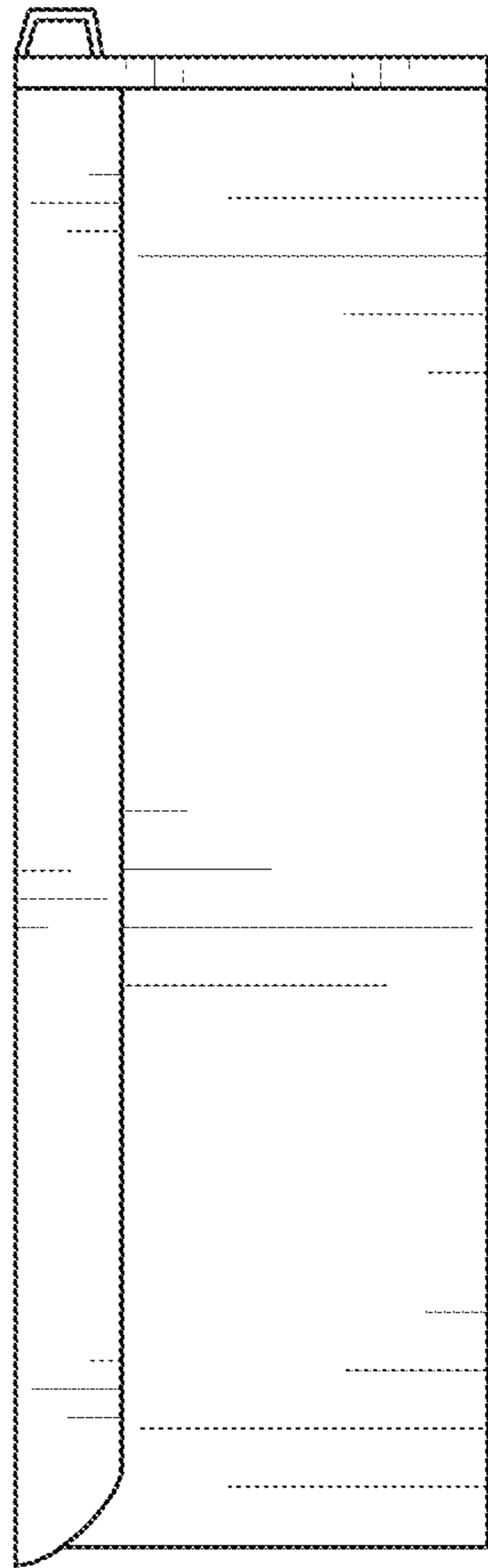


FIG. 4

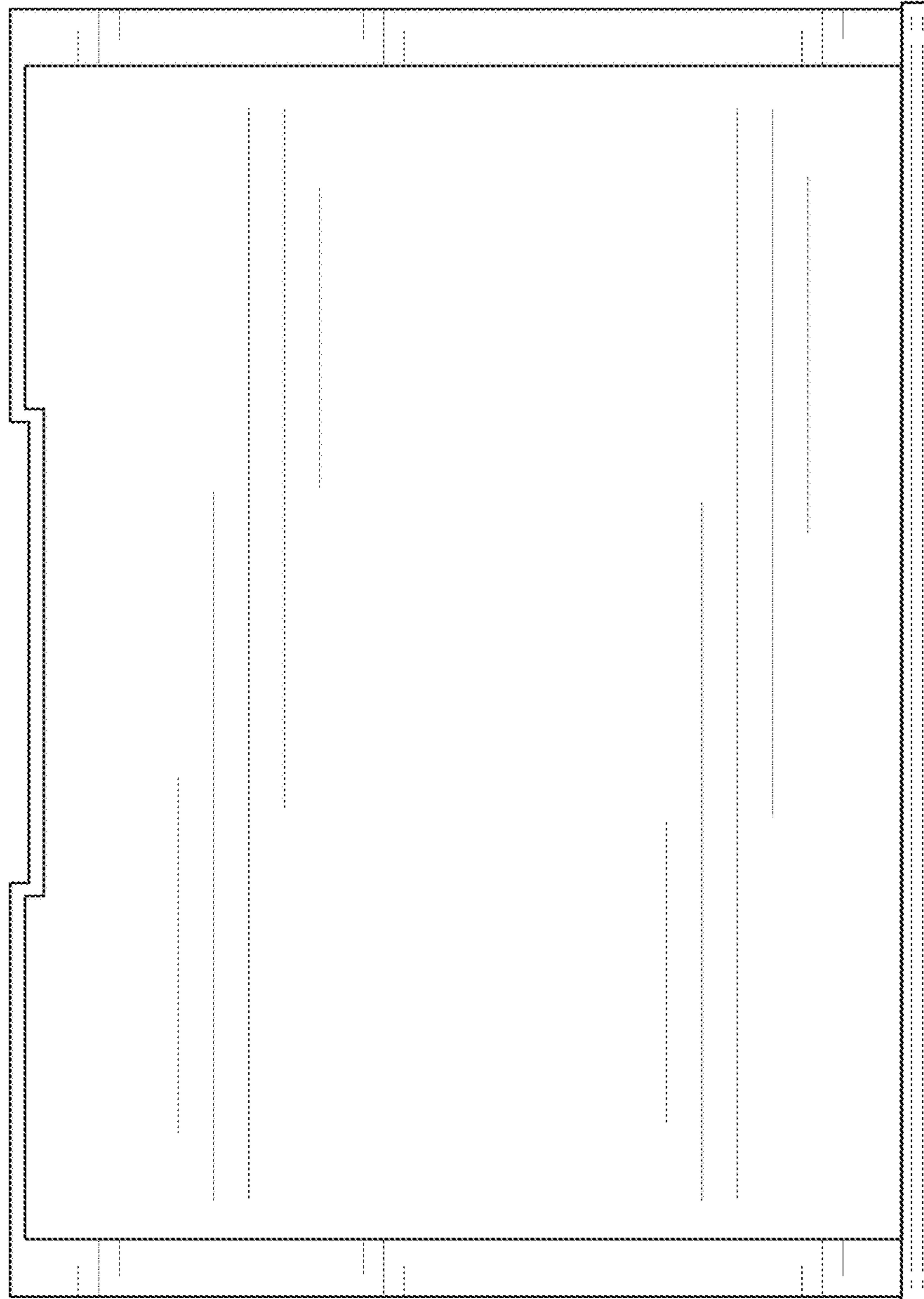


FIG. 5