



US00D846601S

(12) **United States Design Patent** (10) **Patent No.:** **US D846,601 S**
Froehlich et al. (45) **Date of Patent:** **** Apr. 23, 2019**

(54) **GRATE FOR REFRIGERATION APPLIANCE**

(71) Applicant: **Prince Castle LLC**, Carol Stream, IL (US)

(72) Inventors: **Wayne Froehlich**, Wheaton, IL (US); **Stefano Binda**, Carnago (IT); **Roberto Manzari**, Carnago (IT)

(73) Assignee: **Prince Castle LLC**, Carol Stream, IL (US)

(**) Term: **15 Years**

(21) Appl. No.: **29/593,228**

(22) Filed: **Feb. 7, 2017**

(51) **LOC (11) Cl.** **15-07**

(52) **U.S. Cl.**
USPC **D15/89**

(58) **Field of Classification Search**
USPC D15/79-91; D7/332-337, 402-411, D7/339-349; D23/397, 259-265
CPC .. F25D 11/00; F25D 17/065; F25D 2325/022; F25D 23/069; F25D 25/025; F25D 11/02; F25D 17/062; F25D 21/12; F25D 21/125; F25D 21/14; F25D 2317/061; F25D 2317/067; F25D 2323/021; F25D 2323/024; F25D 23/028; F25D 23/04; F25D 23/066; F25D 23/085; F25D 23/087; F25D 23/126; F25D 2400/02; F25D 2400/06; F25D 2400/361; F25D 2400/40; F25D 25/005; F25D 25/02; F25D 2600/02; F25D 2700/02; F25D 2700/12; F25D 2700/121; F25D 2700/14; F25D 29/00

See application file for complete search history.

(56) **References Cited**

U.S. PATENT DOCUMENTS

D334,201 S * 3/1993 Purkapile D15/89
D341,598 S * 11/1993 Purkapile D15/89

D495,435 S * 8/2004 Hauck D25/155
D520,533 S * 5/2006 Reese D15/89
D652,434 S * 1/2012 Sun D15/83
D722,678 S * 2/2015 Beaudoin D23/261
D736,353 S * 8/2015 Lucas D23/261
D745,580 S * 12/2015 Miller D15/89
D759,791 S * 6/2016 Hull D23/261
D771,157 S * 11/2016 Yamada D15/81
D775,320 S * 12/2016 Lucas D23/397
D794,091 S * 8/2017 Smith D15/89
D804,889 S * 12/2017 Funnell, II et al. D7/346
D810,518 S * 2/2018 Miller D7/667
D812,425 S * 3/2018 Reischmann D7/409

* cited by examiner

Primary Examiner — Khawaja Anwar

(74) *Attorney, Agent, or Firm* — Andrus Intellectual Property Law, LLP

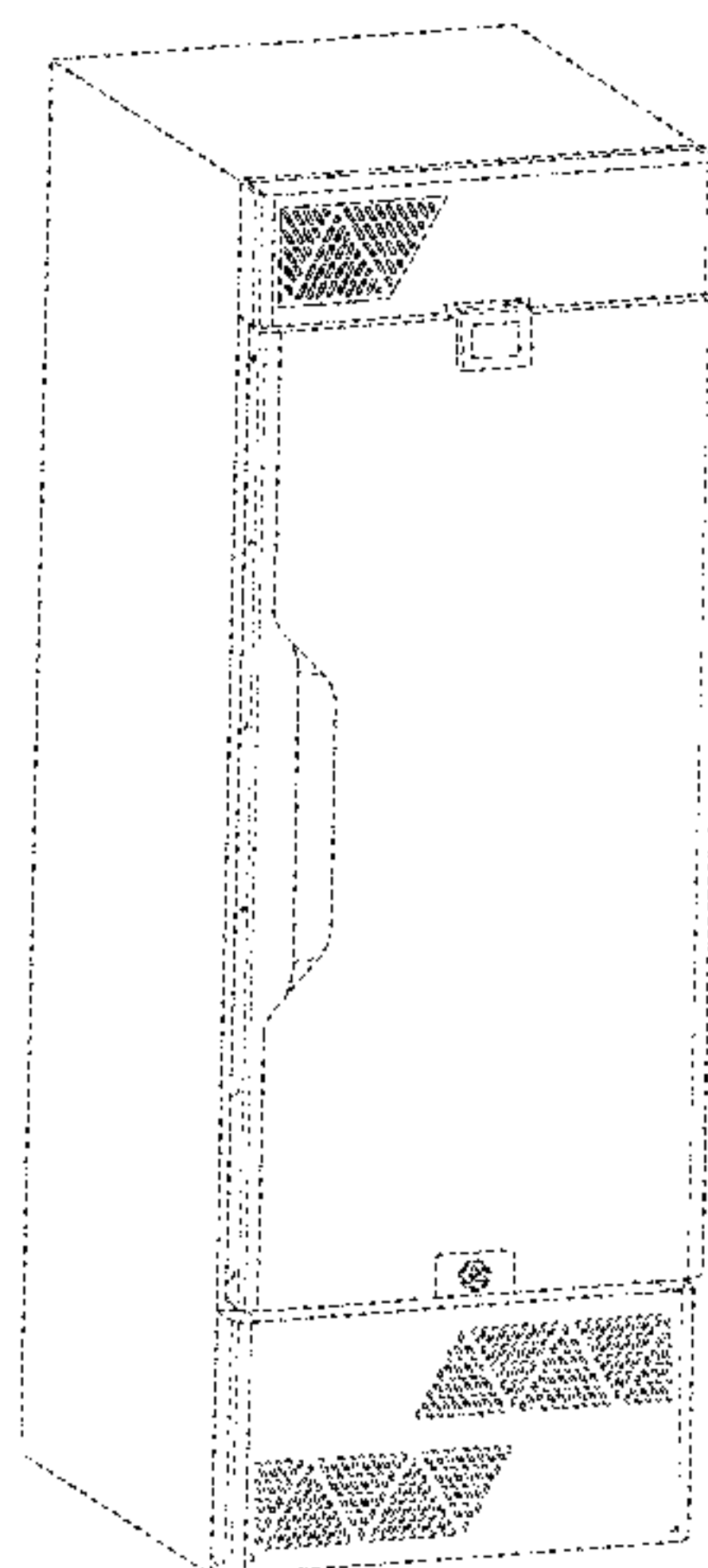
(57) **CLAIM**

The ornamental design for a grate for a refrigeration appliance, as shown and described.

DESCRIPTION

FIG. 1 is a perspective view of a grate on a refrigeration appliance;
FIG. 2 is a front view of a grate on a refrigeration appliance;
FIG. 3 is a right perspective view thereof;
FIG. 4 is an enlarged right perspective view of a grate on a refrigeration appliance;
FIG. 5 is an enlarged left perspective view of a grate on a refrigeration appliance; and,
FIG. 6 is another perspective view of a grate on a refrigeration appliance.
The broken lines showing of various portions and other elements in the Figures are for the purpose of illustrating unclaimed portions and form no part of the claimed design. The dash-dot-dash broken line illustrates the bounds of the claim.

1 Claim, 6 Drawing Sheets



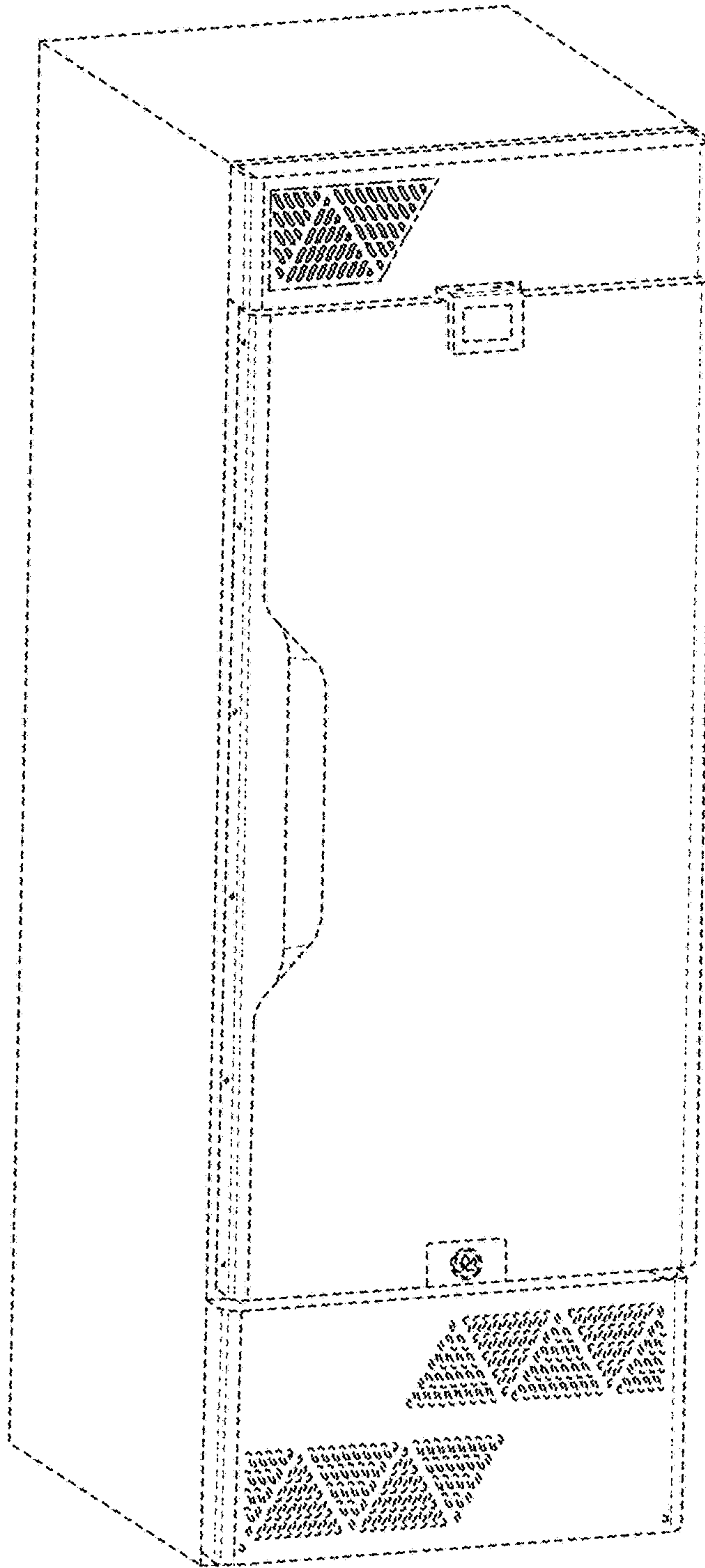


FIG. 1

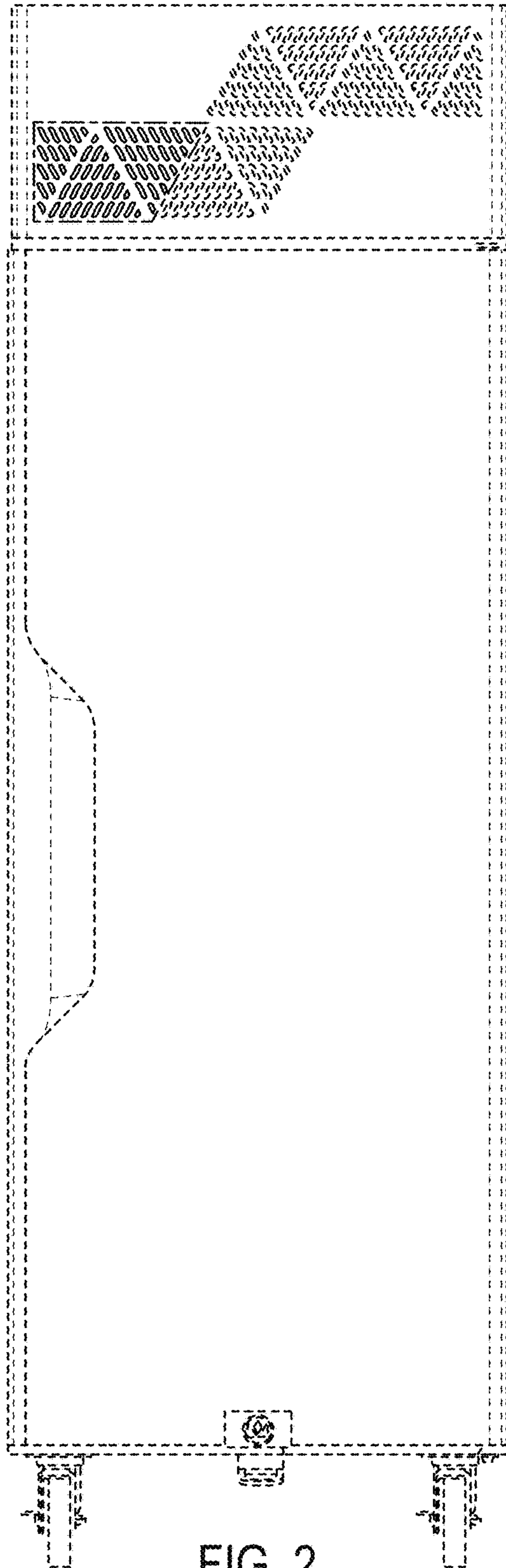


FIG. 2

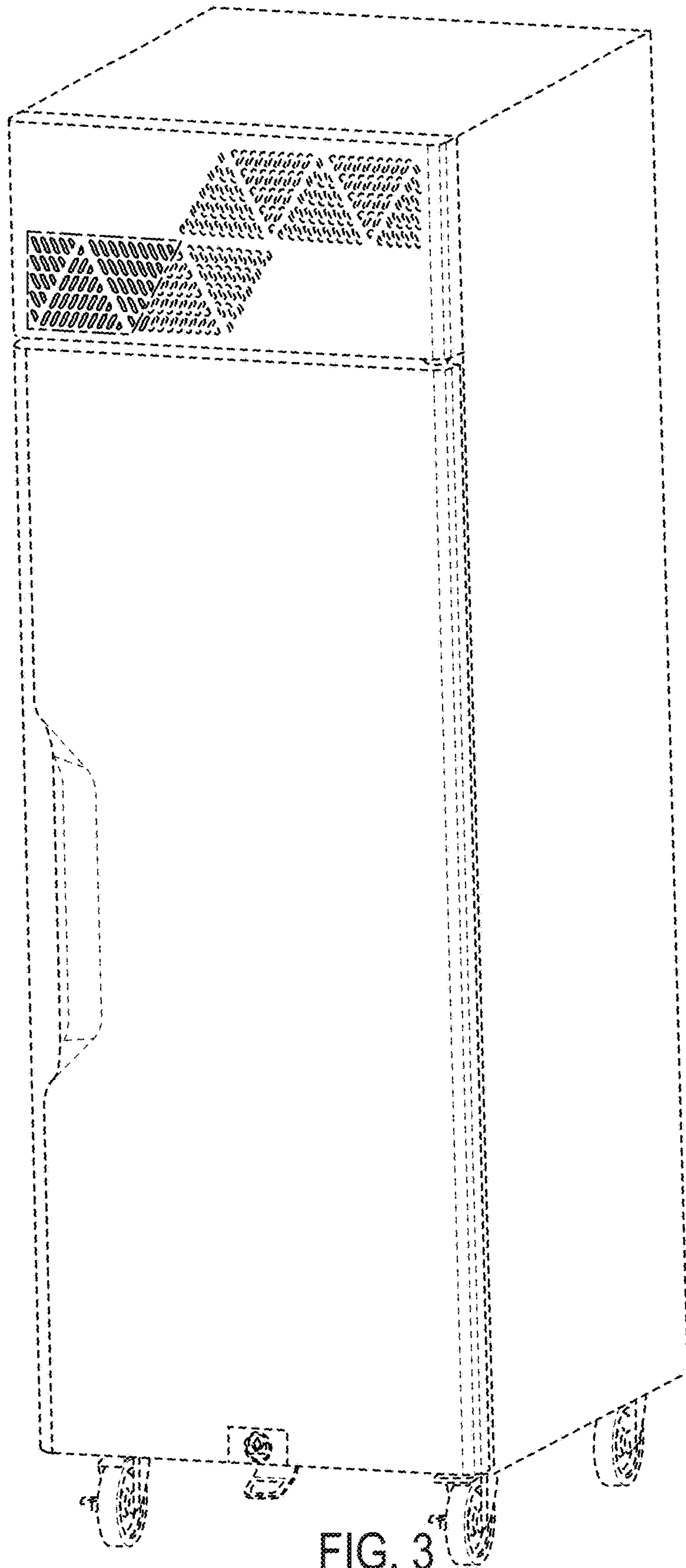


FIG. 3

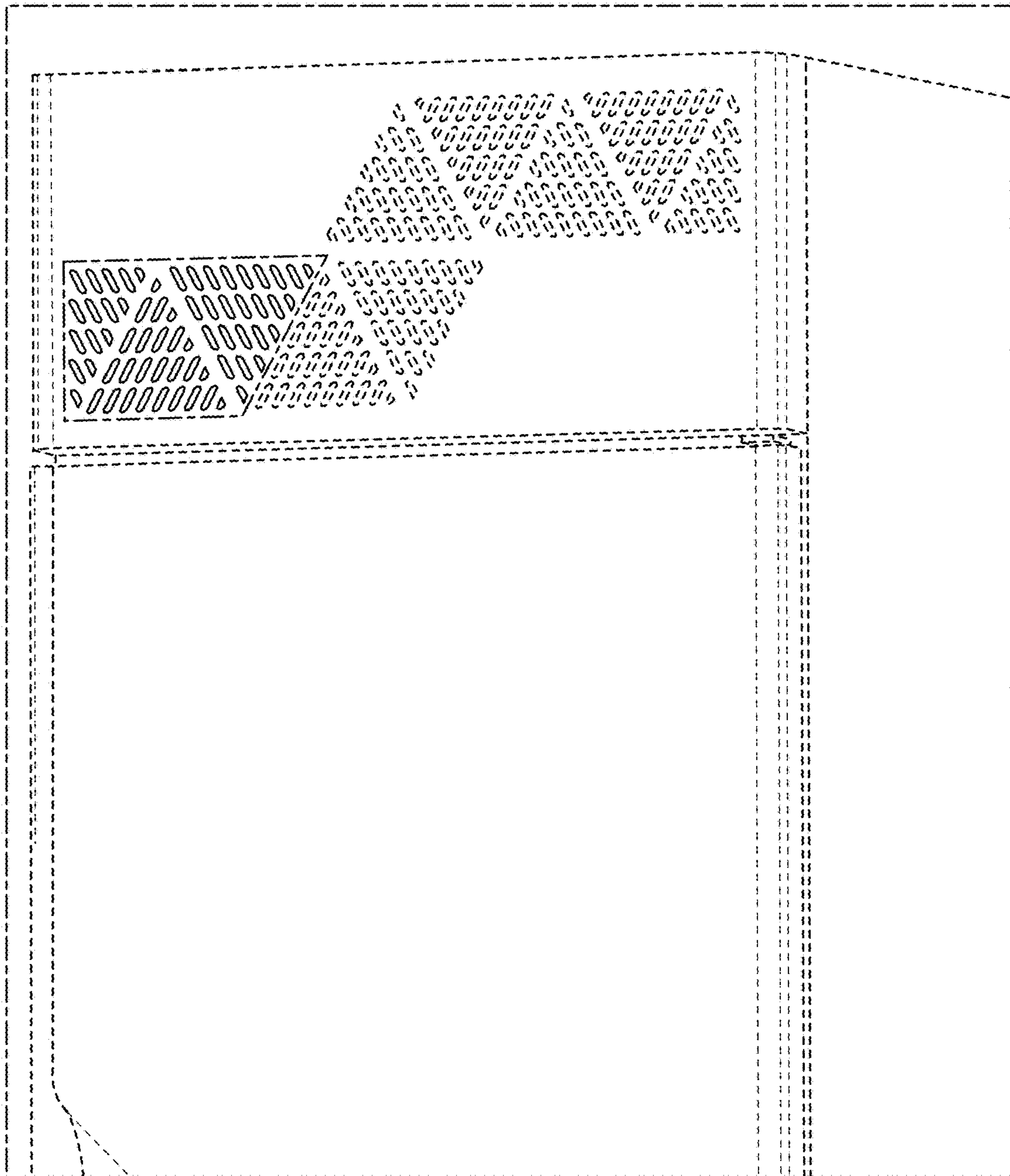


FIG. 4

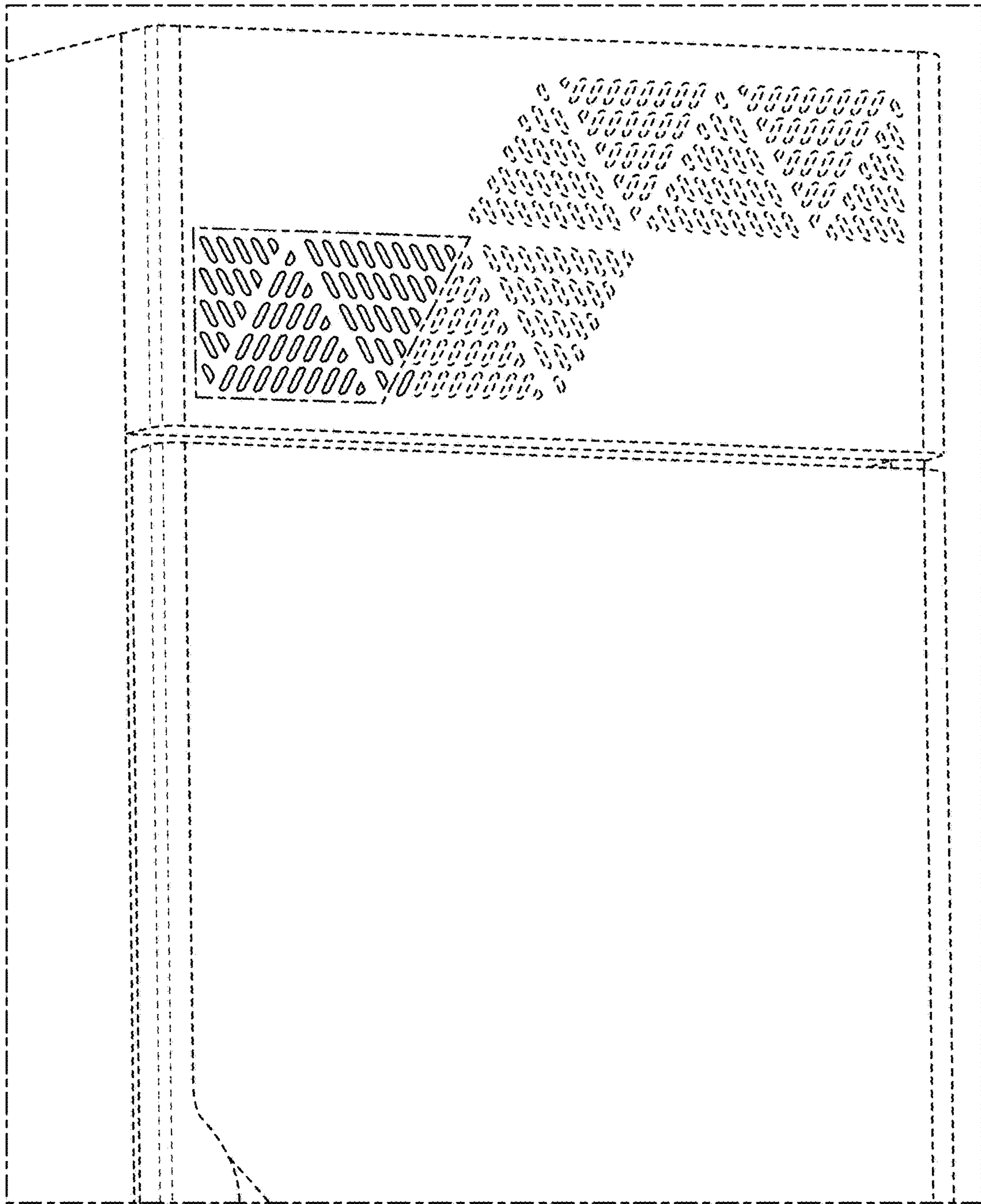


FIG. 5

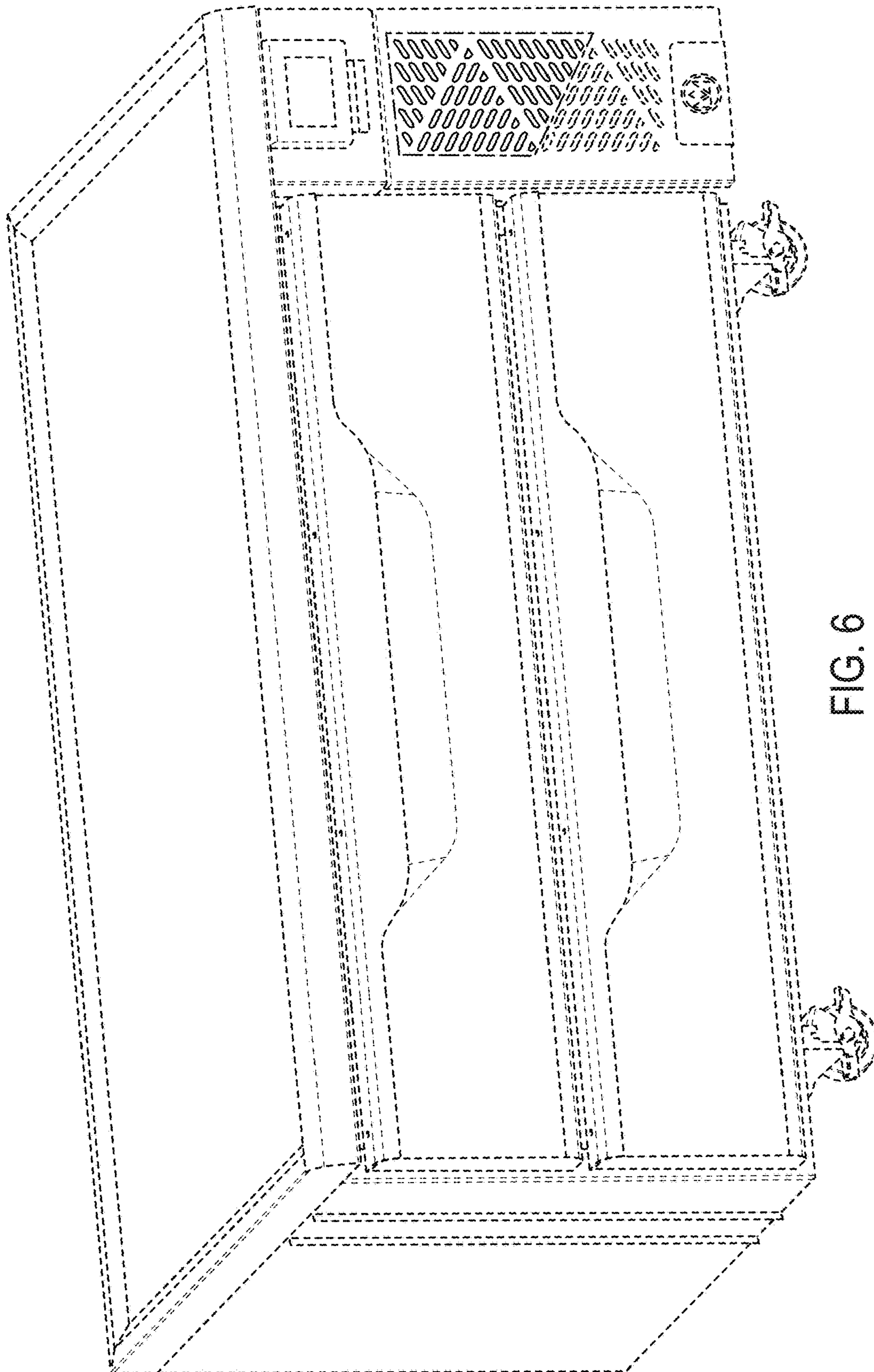


FIG. 6