



US00D846599S

(12) **United States Design Patent**
Ryan et al.

(10) **Patent No.:** **US D846,599 S**
(45) **Date of Patent:** **** Apr. 23, 2019**

(54) **COVER**

(71) Applicant: **THE RAYMOND CORPORATION**,
Greene, NY (US)

(72) Inventors: **Howard Scott Ryan**, Skaneateles, NY
(US); **Gregory W Smiley**, Greene, NY
(US); **Frank Witkowski**, Syracuse, NY
(US)

(73) Assignee: **The Raymond Corporation**, Greene,
NY (US)

(**) Term: **15 Years**

(21) Appl. No.: **29/560,205**

(22) Filed: **Apr. 4, 2016**

(51) **LOC (11) Cl.** **15-03**

(52) **U.S. Cl.**
USPC **D15/31**

(58) **Field of Classification Search**
USPC D15/10, 22-26, 33, 28, 31; D21/431;
37/403, 409, 442, 443; 180/89.1, 89.12,
180/89.13; 296/190.03; 414/685, 694,
414/722, 724
CPC E02F 9/0841; E02F 3/3411; E02F 3/76;
E02F 3/34; E02F 3/00; E02F 7/00; B62D
21/186; B62D 53/028
See application file for complete search history.

(56) **References Cited**

U.S. PATENT DOCUMENTS

D578,274 S	*	10/2008	Tokach	D15/31
D611,505 S	*	3/2010	Loew	D15/20
D611,506 S	*	3/2010	Loew	D15/20
D624,567 S	*	9/2010	Kelley	D15/30
D629,818 S	*	12/2010	Rummer	D15/31

D632,313 S	*	2/2011	Kelley	D15/30
D670,746 S	*	11/2012	Ewringmann	D15/31
D676,466 S	*	2/2013	Ewringmann	D15/20
D708,233 S	*	7/2014	Furuki	D15/28
D715,333 S	*	10/2014	Jacobsthal	D15/31
D724,109 S	*	3/2015	Haro	D15/20
D751,611 S	*	3/2016	Smith	D15/31
D757,826 S	*	5/2016	Hartz	D15/31
D762,740 S	*	8/2016	Okuyama	D15/28
D766,339 S	*	9/2016	Hanke	D15/31
D784,426 S	*	4/2017	Okuyama	D15/31
D786,945 S	*	5/2017	Smith	D15/31
D795,308 S	*	8/2017	Sauvaget	D15/31
D795,309 S	*	8/2017	Sauvaget	D15/31

* cited by examiner

Primary Examiner — Mark A Goodwin

(74) *Attorney, Agent, or Firm* — Quarles & Brady LLP

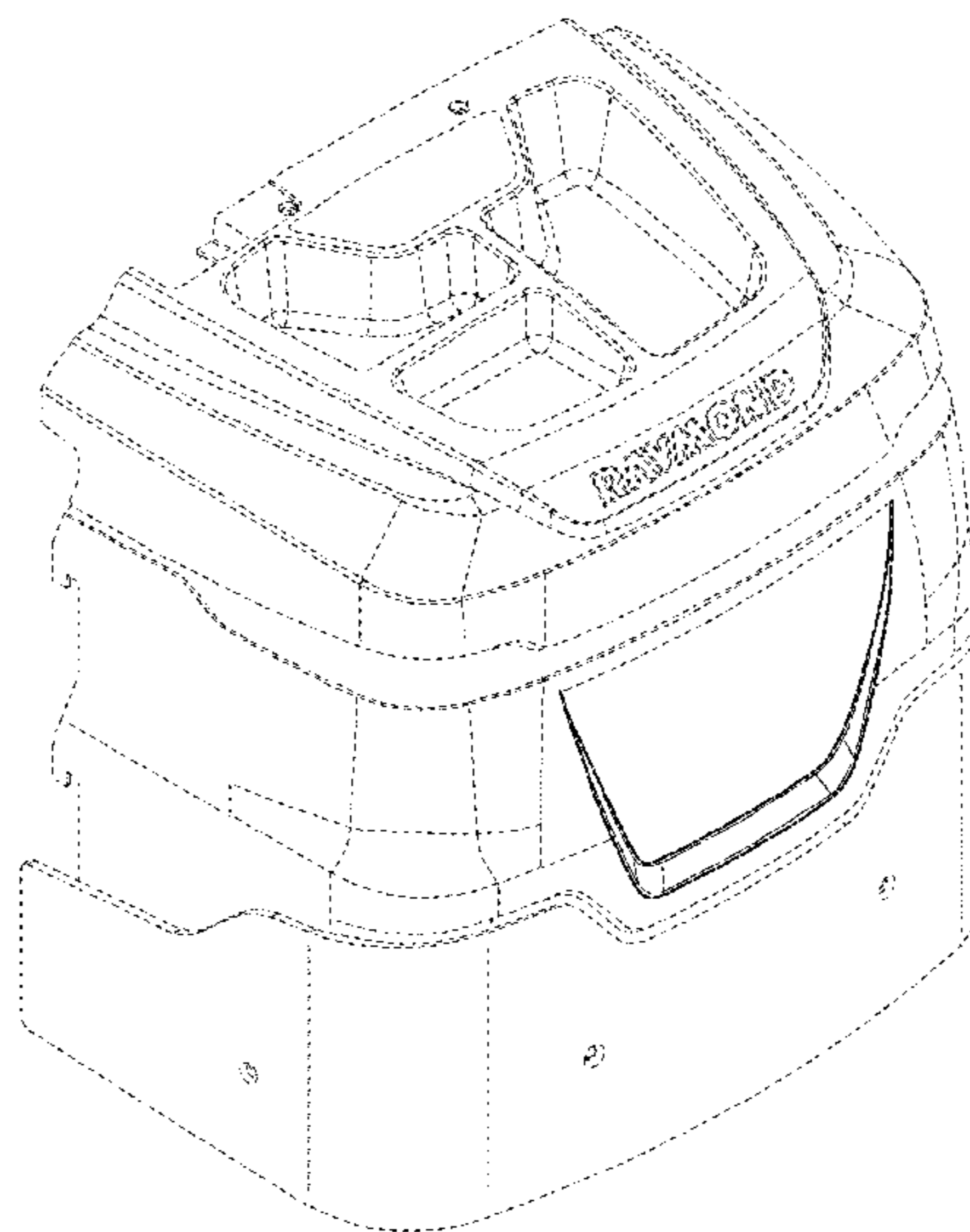
(57) **CLAIM**

The ornamental design for a cover, as shown and described.

DESCRIPTION

FIG. 1 is an isometric view of a top, left, and front side of an ornamental design for a cover;
FIG. 2 is an isometric view of a bottom, right, and rear side of the cover of FIG. 1;
FIG. 3 is a front elevational view of the cover of FIG. 1;
FIG. 4 is a rear elevational view of the cover of FIG. 1;
FIG. 5 is a right side elevational view of the cover of FIG. 1;
FIG. 6 is a left side elevational view of the cover of FIG. 1;
FIG. 7 is a top plan view of the cover of FIG. 1; and,
FIG. 8 is a bottom plan view of the cover of FIG. 1.
The dash-dash-dash broken lines are included for the purpose of illustrating portions of the cover that form no part of the claimed design. The solid lines depicted in the figures could be any color.

1 Claim, 8 Drawing Sheets



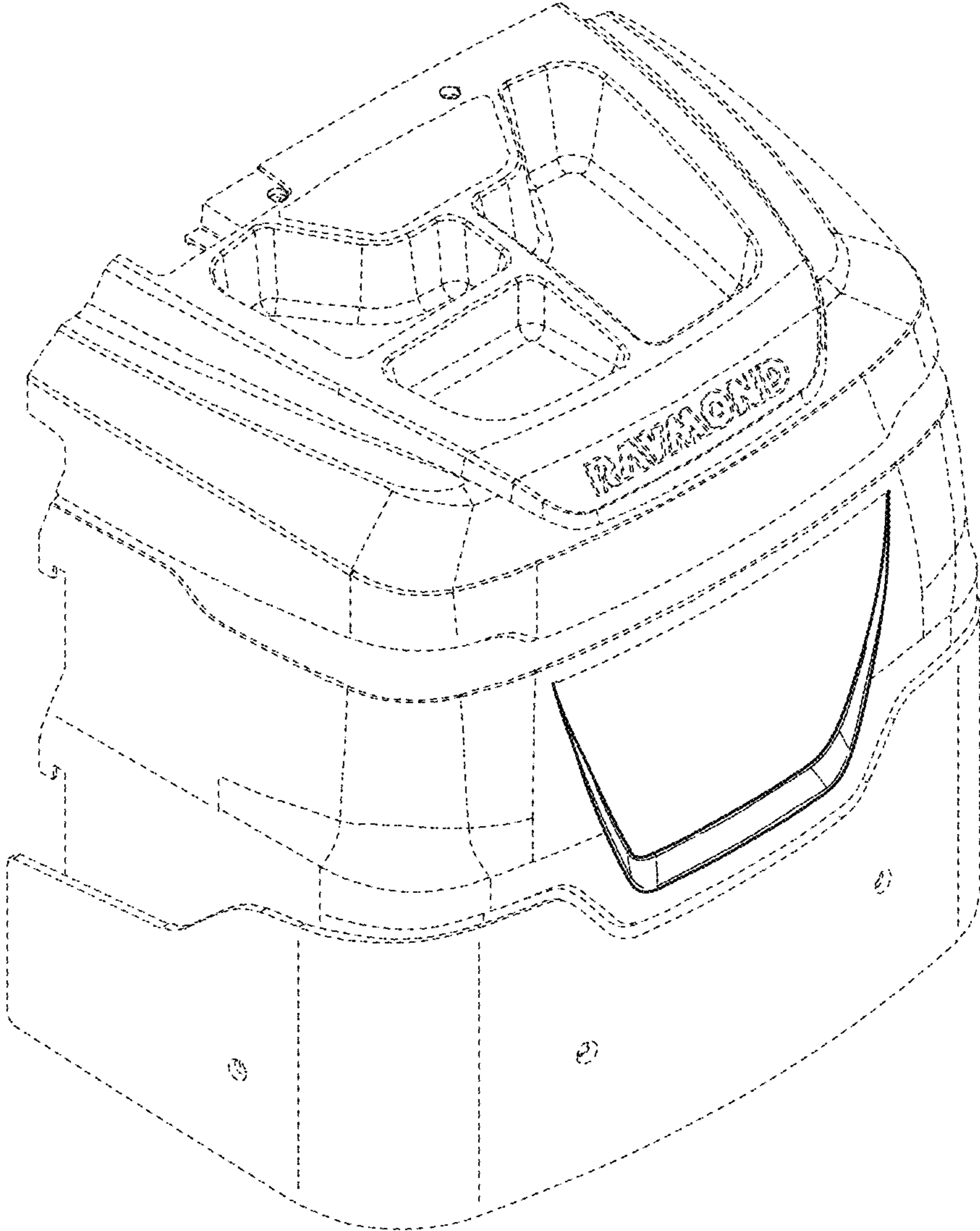


FIG. 1

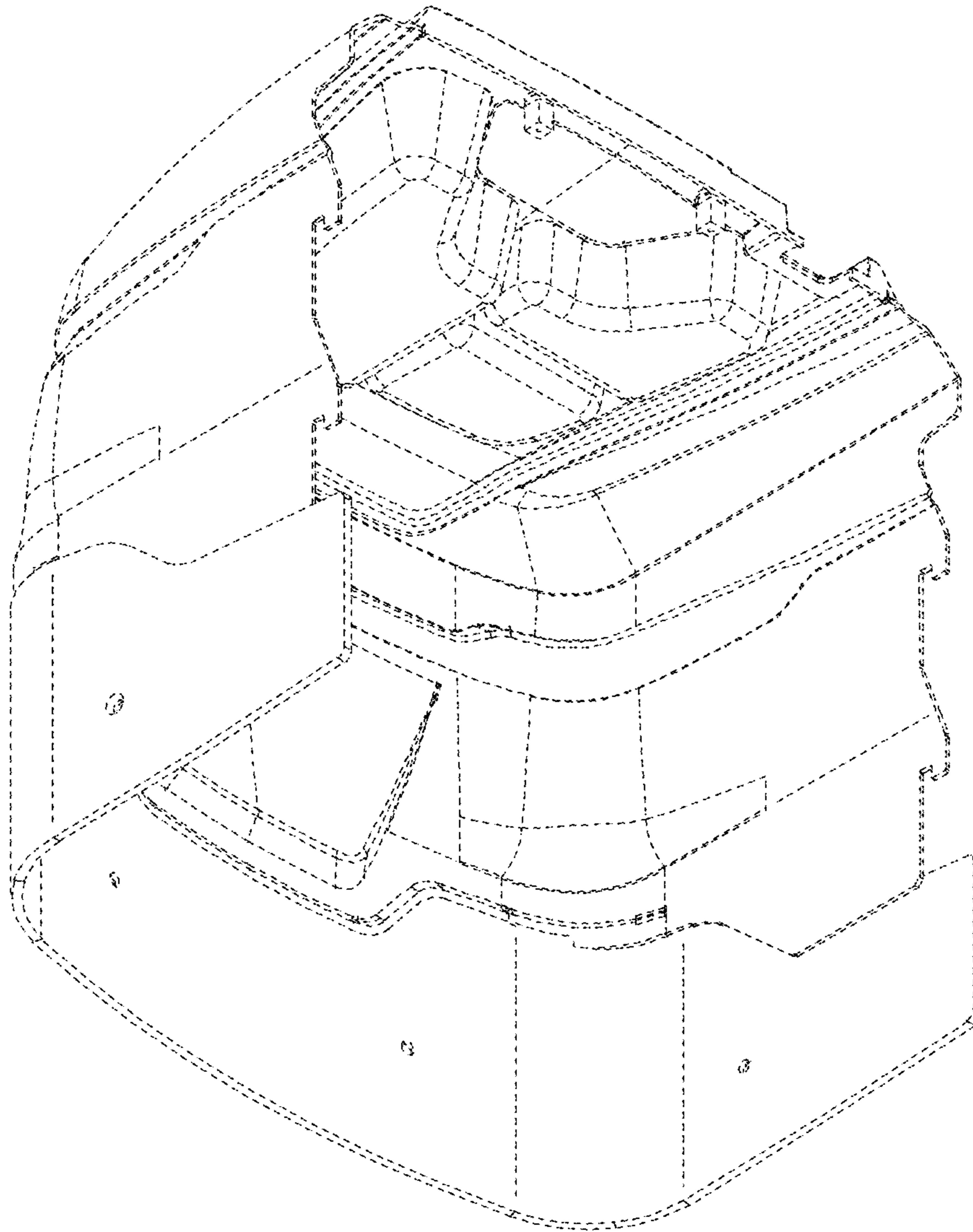


FIG. 2

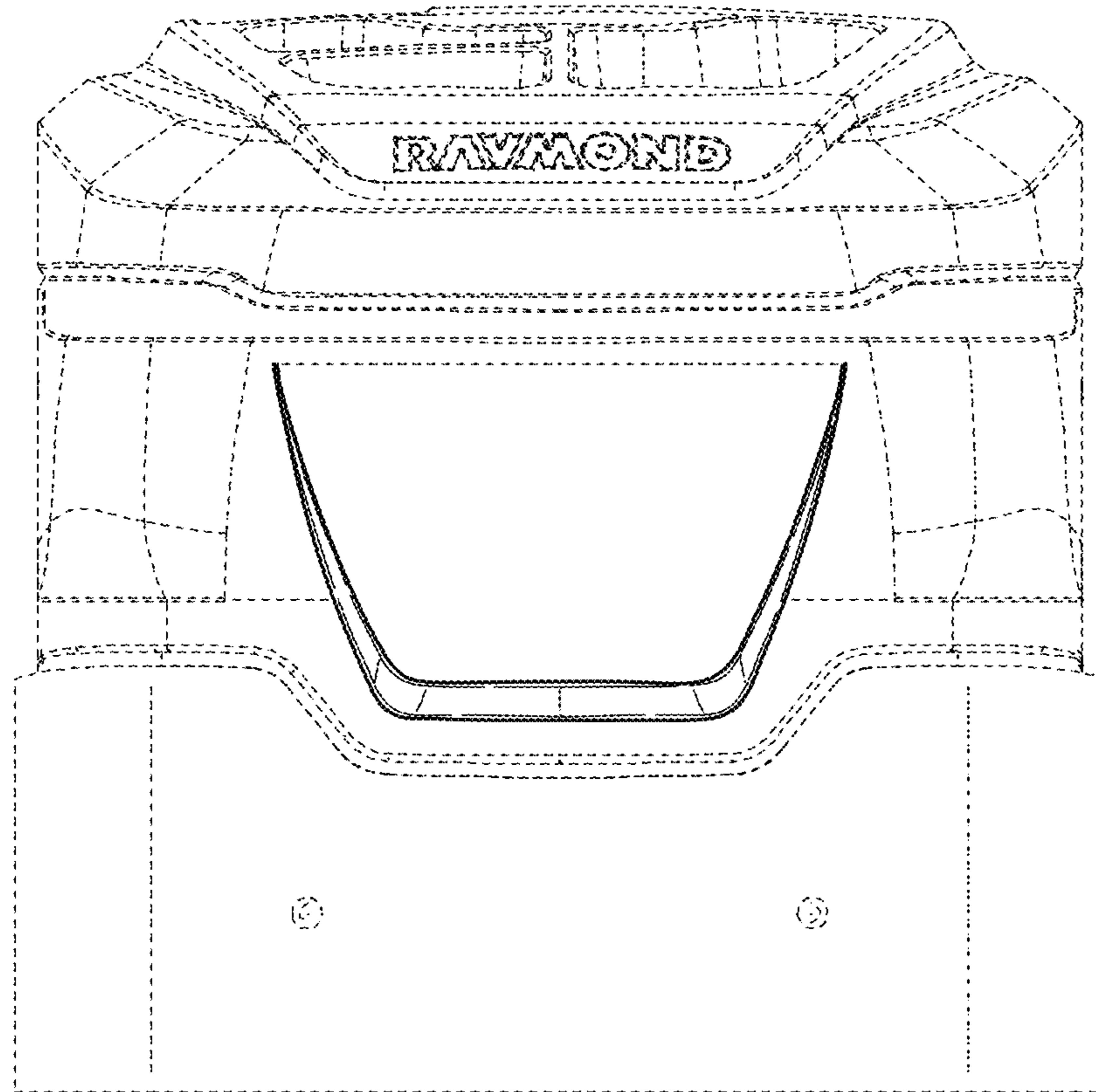


FIG. 3

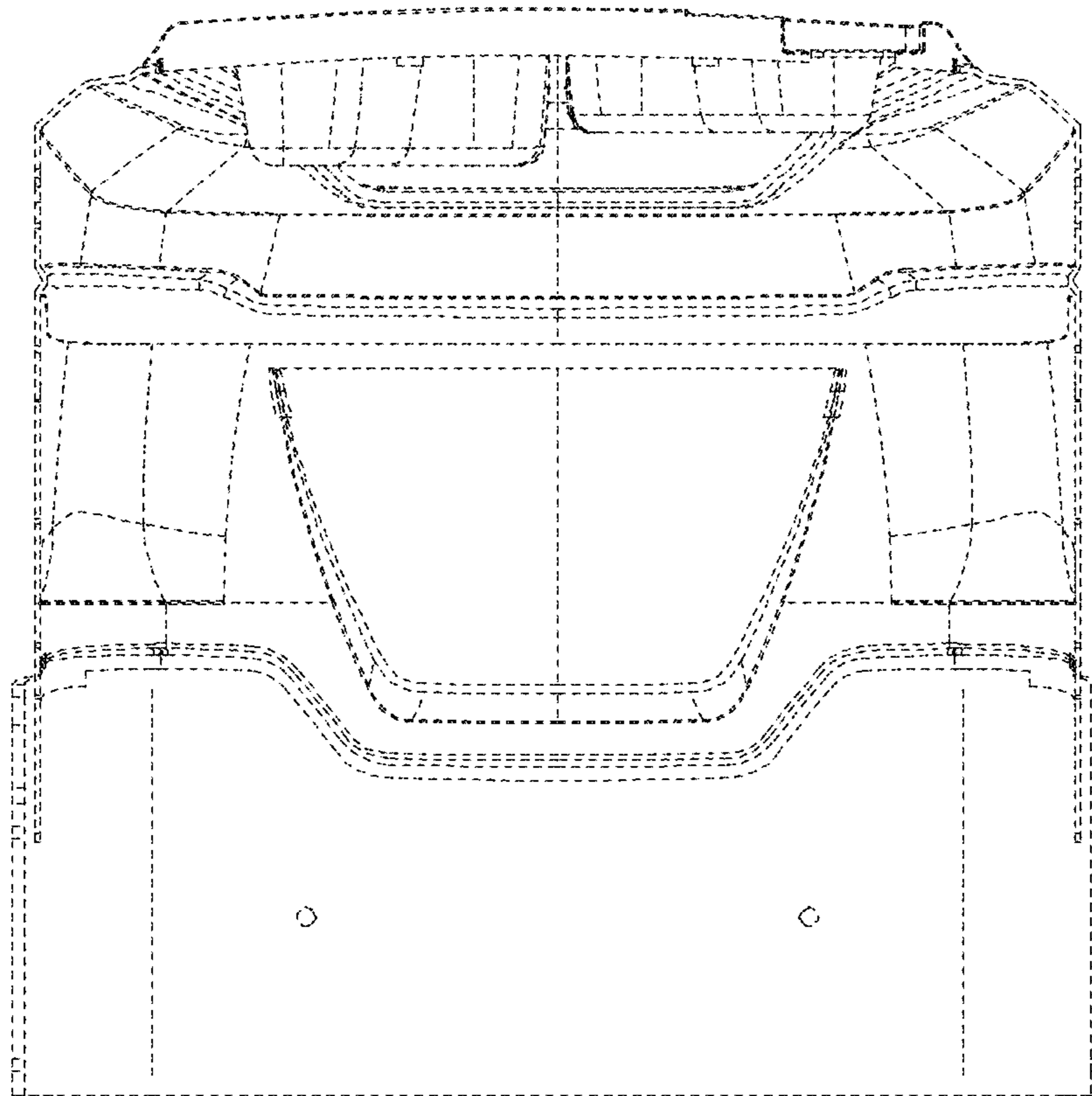


FIG. 4

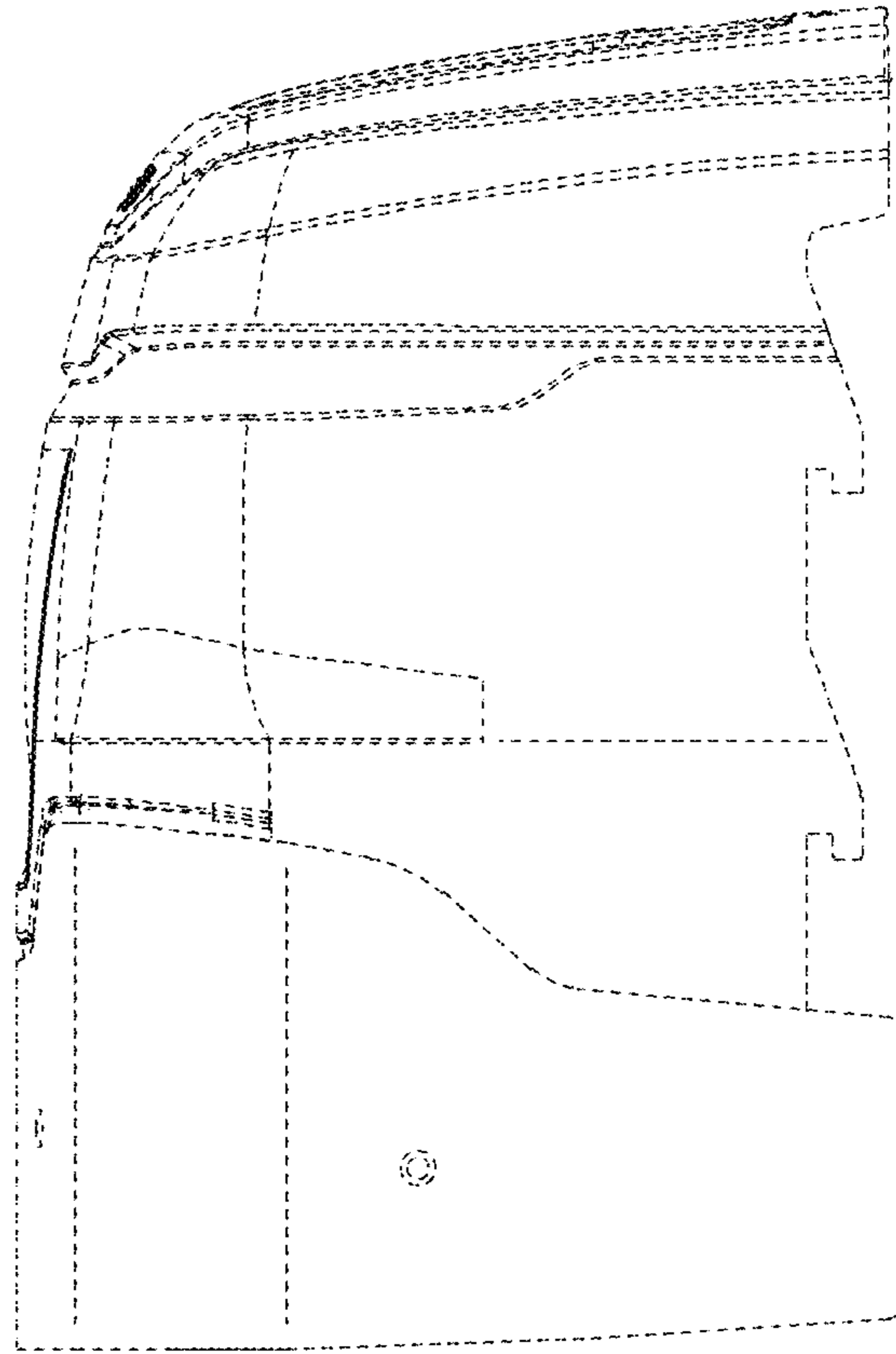


FIG. 5

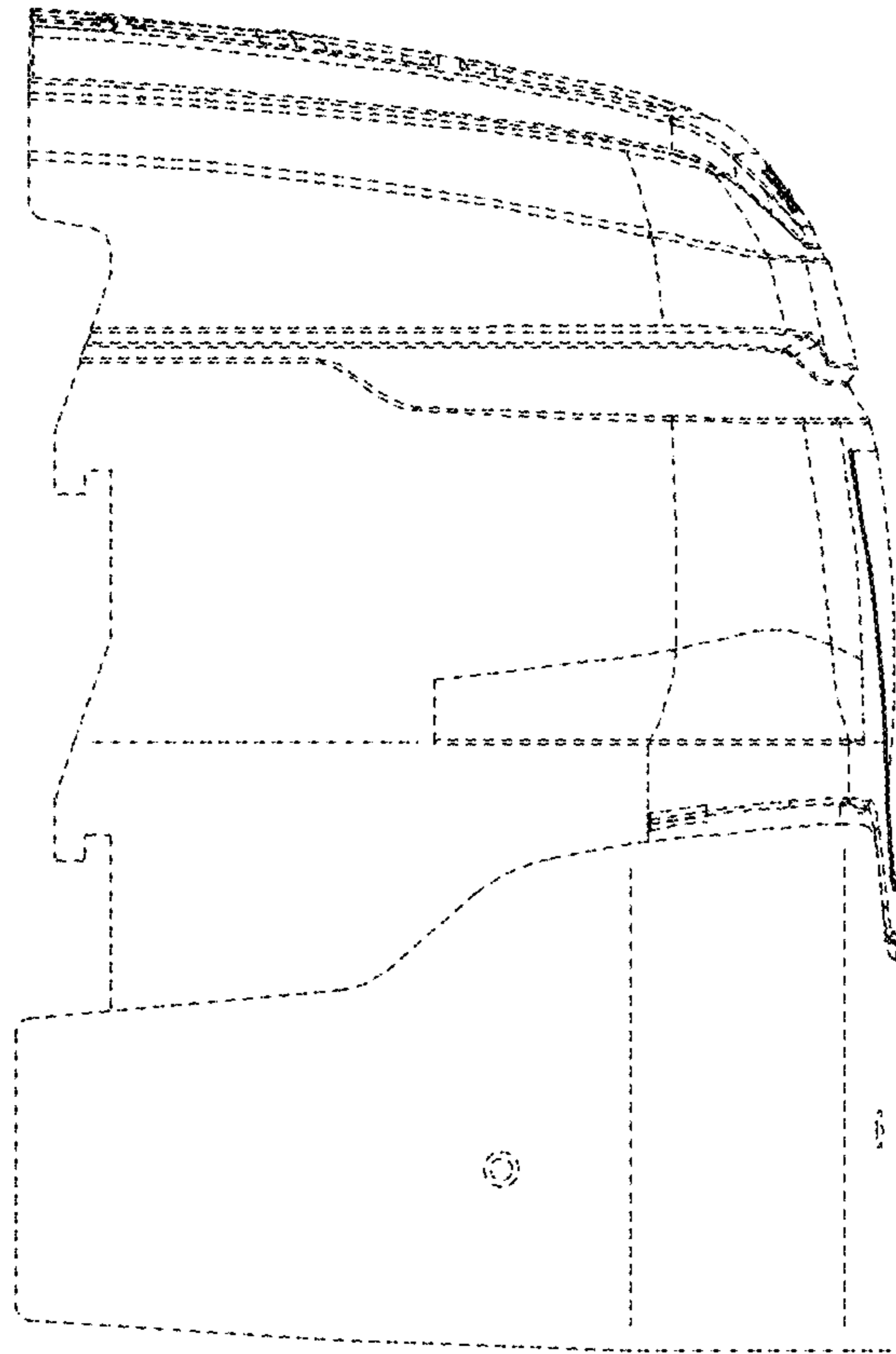


FIG. 6

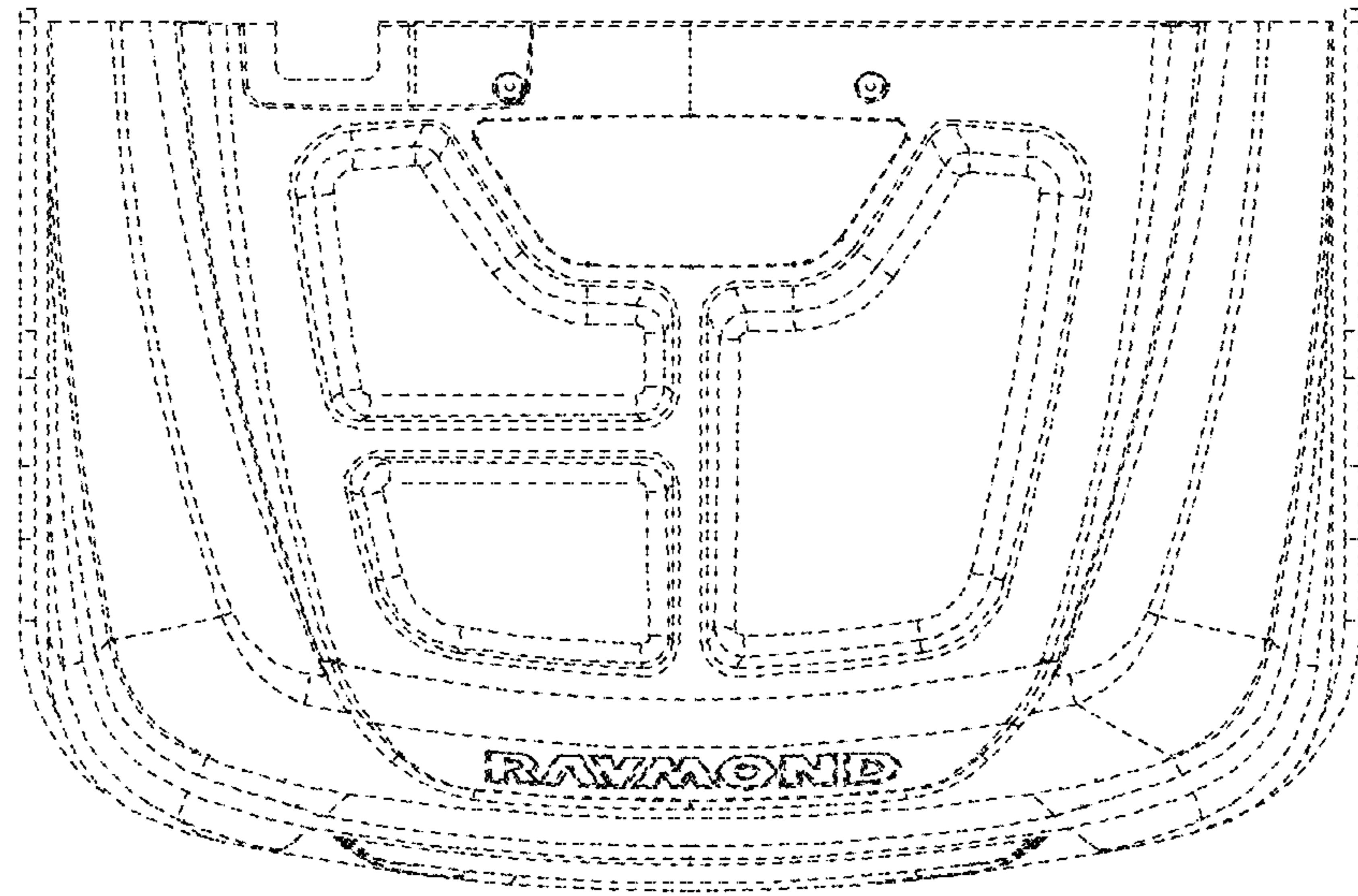


FIG. 7

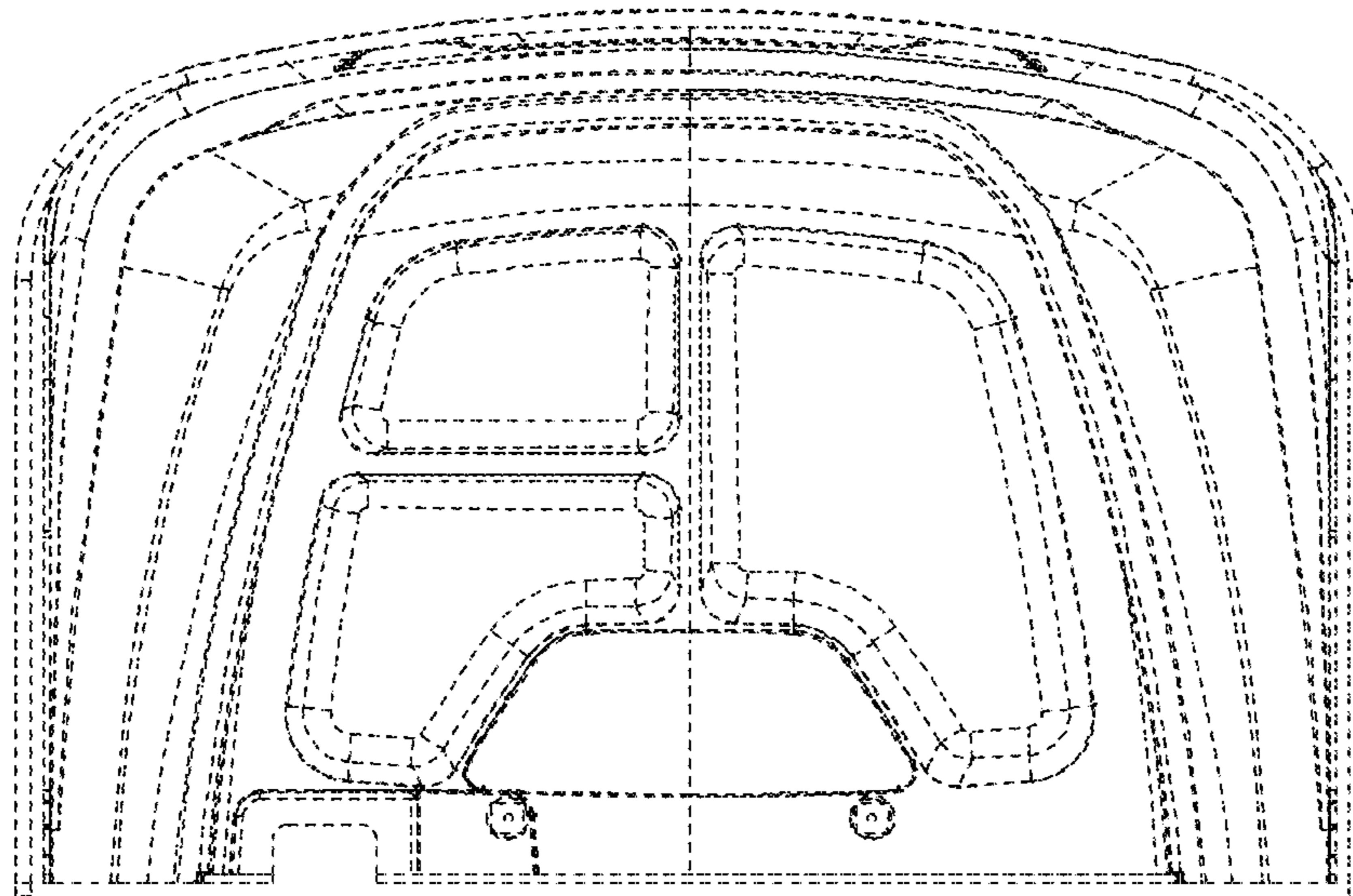


FIG. 8