

US00D846557S

(12) **United States Design Patent** (10) **Patent No.:** **US D846,557 S**
Ehrensward et al. (45) **Date of Patent:** **** Apr. 23, 2019**

(54) **PORTABLE SECURITY DEVICE WITH DUAL INTERFACES**

(71) Applicant: **Yubico Inc.**, Palo Alto, CA (US)

(72) Inventors: **Jakob Ehrensward**, Palo Alto, CA (US); **Stina Ehrensward**, Palo Alto, CA (US)

(73) Assignee: **Yubico AB**, Stockholm (SE)

(**) Term: **15 Years**

(21) Appl. No.: **29/637,759**

(22) Filed: **Feb. 21, 2018**

(51) **LOC (11) Cl.** **14-03**

(52) **U.S. Cl.**
USPC **D14/480.1**

(58) **Field of Classification Search**
USPC D14/480.1–480.7, 435.1, 411, 433, 436, D14/484.1, 137, 155, 203.1–203.8, 240, D14/242; D13/133, 154
CPC H05K 5/0278; G06K 19/07732
See application file for complete search history.

(56) **References Cited**

U.S. PATENT DOCUMENTS

D500,301 S * 12/2004 Deguchi D14/480.4
D576,619 S * 9/2008 Udagawa D14/435.1
D583,374 S * 12/2008 Otsuka D14/480.5
D583,816 S * 12/2008 Guccione D14/480.5
D702,246 S * 4/2014 Hoffart D14/480.1
D706,277 S * 6/2014 Fukuoka D14/480.1
D735,178 S * 7/2015 Yoon D14/240
D757,734 S * 5/2016 Emami D14/480.7

D758,371 S * 6/2016 Daniel D14/435.1
D768,140 S * 10/2016 Daniel D14/480.1
D813,234 S * 3/2018 Nadler D14/388
D828,363 S * 9/2018 Turksu D14/480.5
2012/0071086 A1* 3/2012 Wu G06K 19/07732
455/39

* cited by examiner

Primary Examiner — Angela J Lee

(74) *Attorney, Agent, or Firm* — Fenwick & West LLP

(57) **CLAIM**

The ornamental design for a portable security device with dual interfaces, as shown and described.

DESCRIPTION

FIG. 1 is a top, front, and left side perspective view of a portable security device with dual interfaces.

FIG. 2 is a front view thereof.

FIG. 3 is a back view thereof.

FIG. 4 is a left side view thereof.

FIG. 5 is a right side view thereof.

FIG. 6 is a top view thereof.

FIG. 7 is a bottom view thereof.

FIG. 8 is a top, front, and left side perspective view of a second embodiment thereof.

FIG. 9 is a front view thereof.

FIG. 10 is a back view thereof.

FIG. 11 is a left side view thereof.

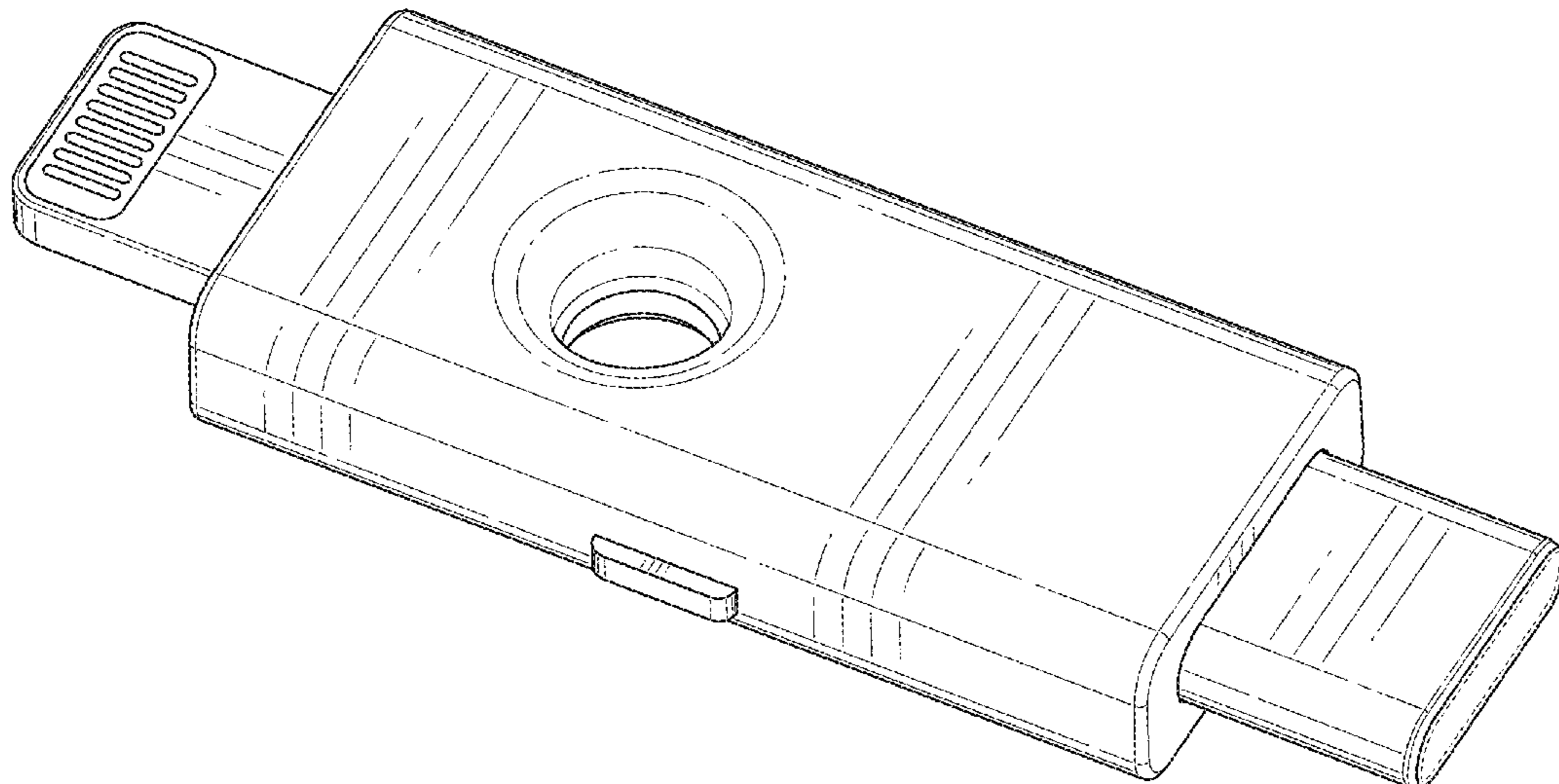
FIG. 12 is a right side view thereof.

FIG. 13 is a top view thereof; and,

FIG. 14 is a bottom view thereof.

The broken lines are for the purpose of illustrating environmental structure and forms no part of the claimed design.

1 Claim, 14 Drawing Sheets



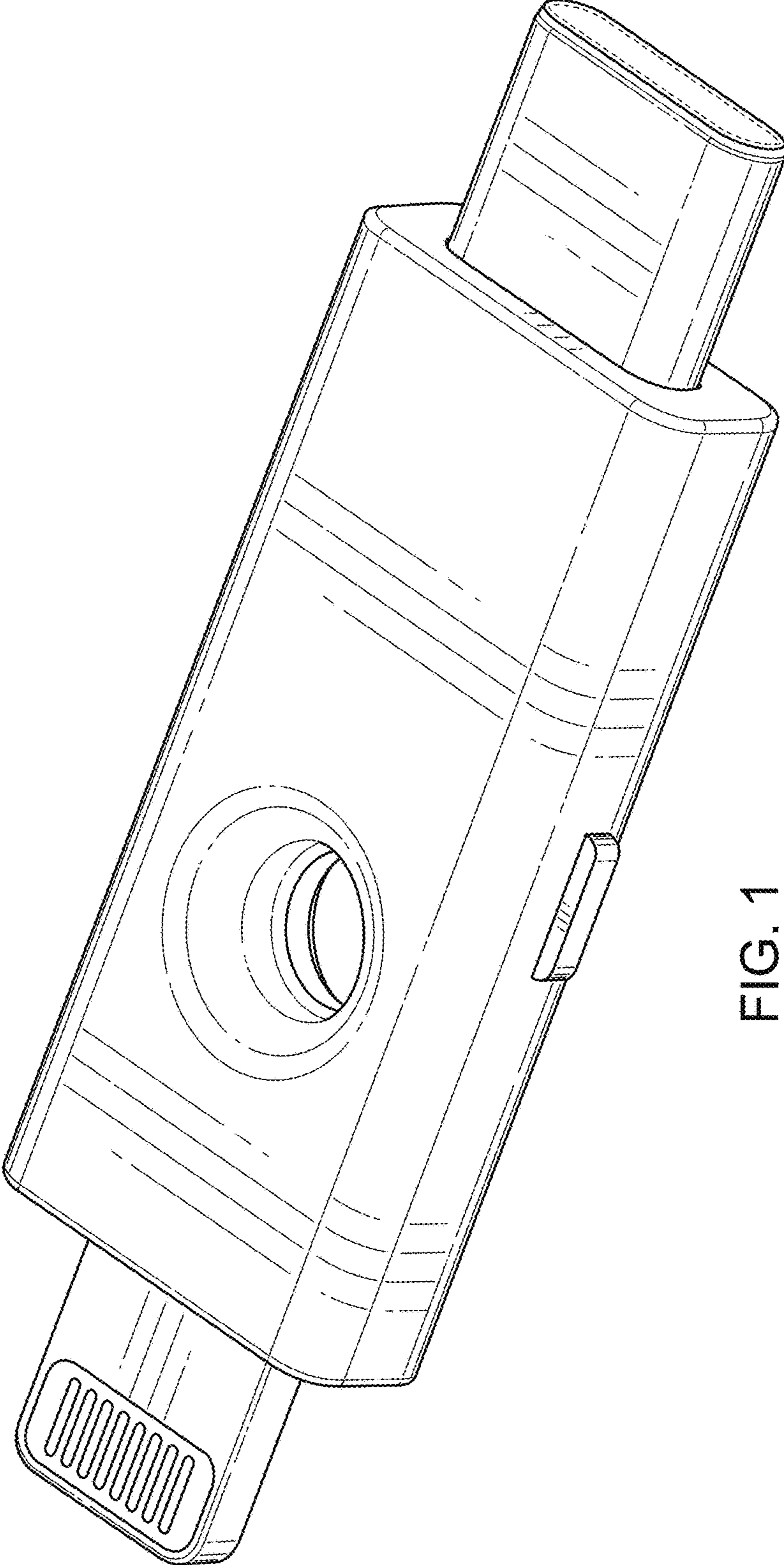


FIG. 1

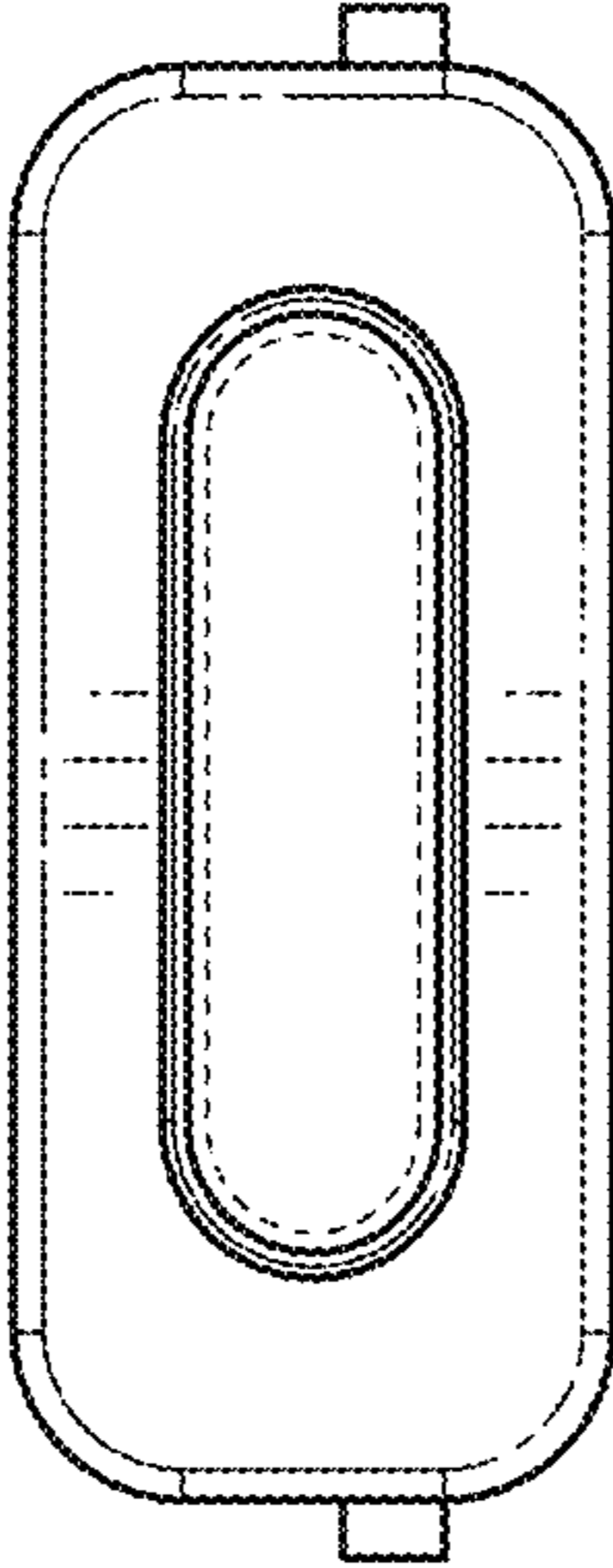


FIG. 2

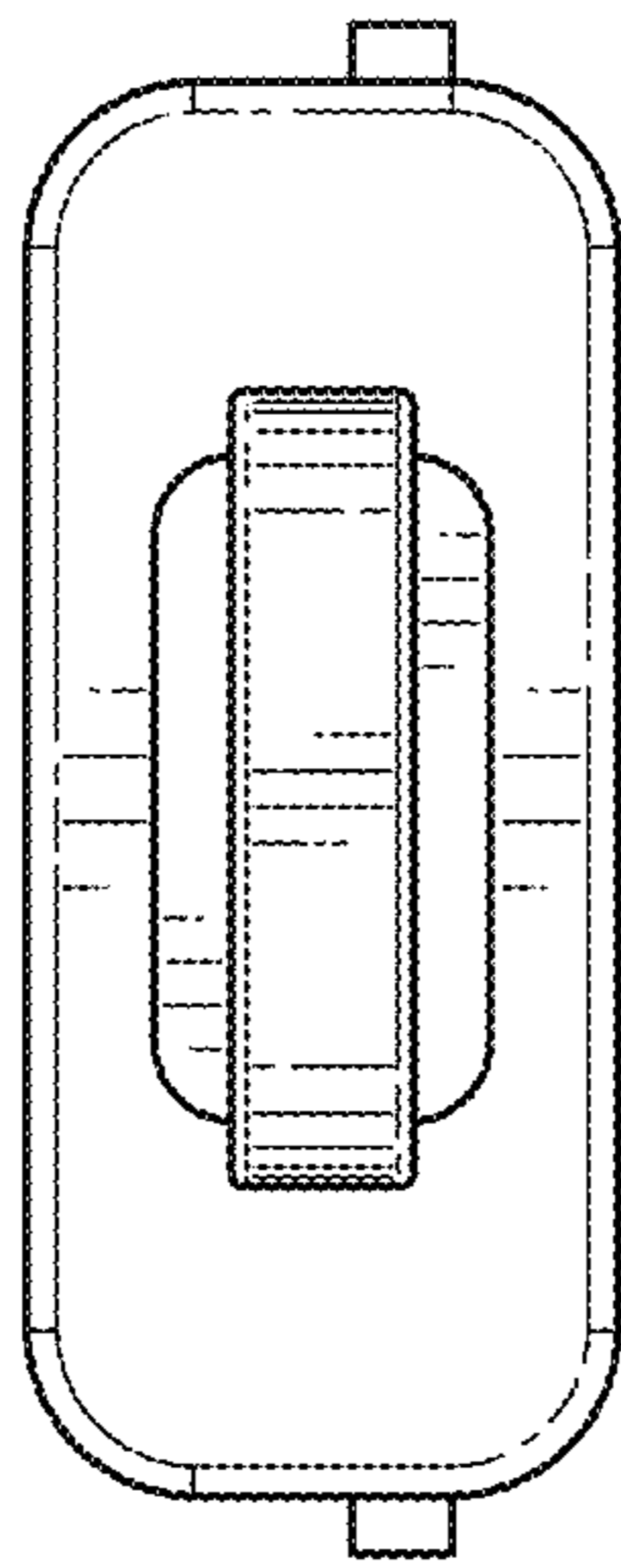


FIG. 3

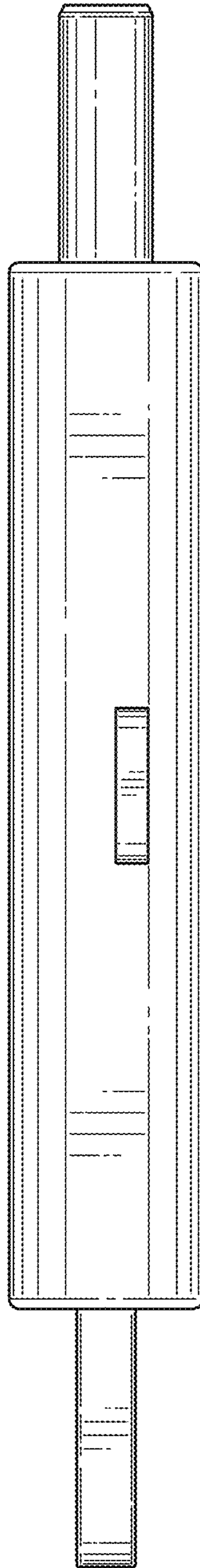


FIG. 4

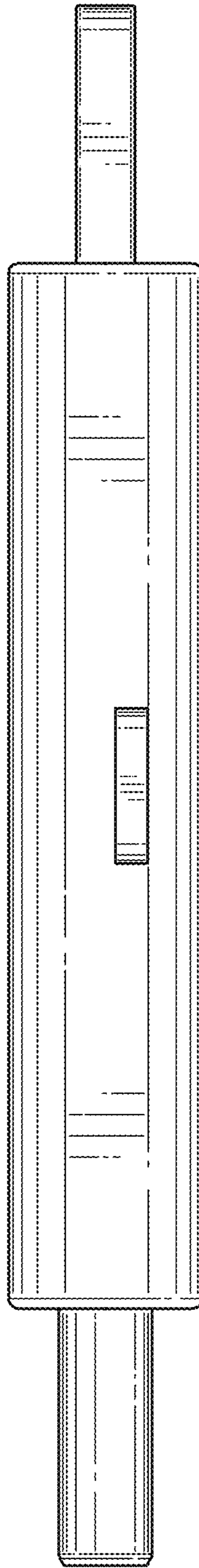


FIG. 5

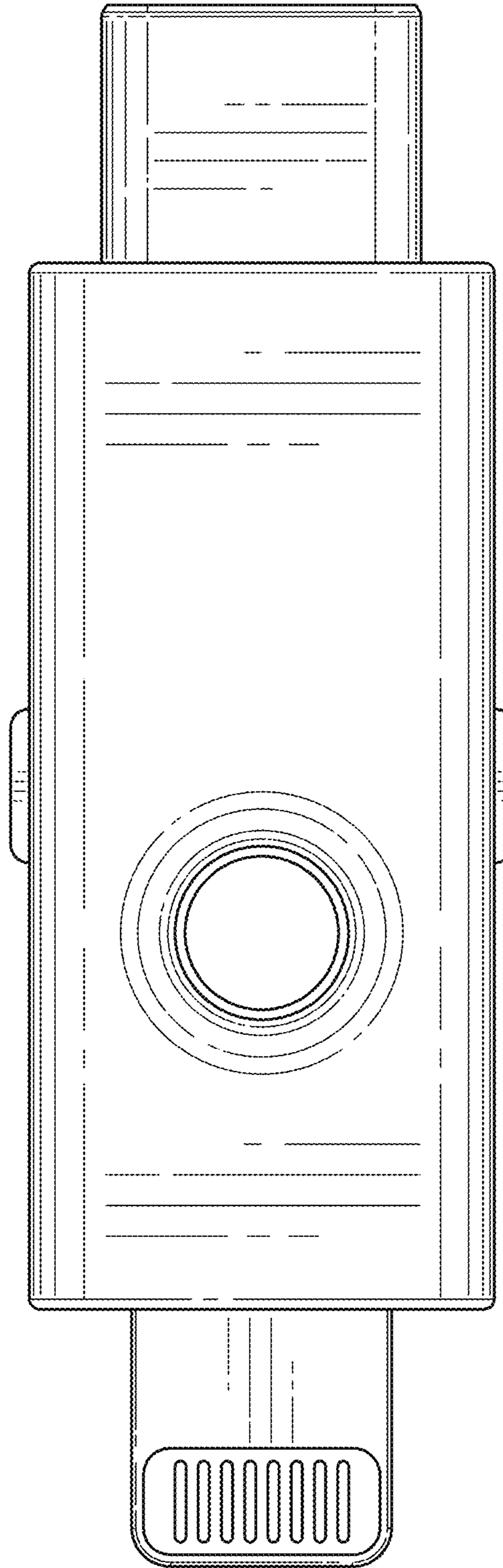


FIG. 6

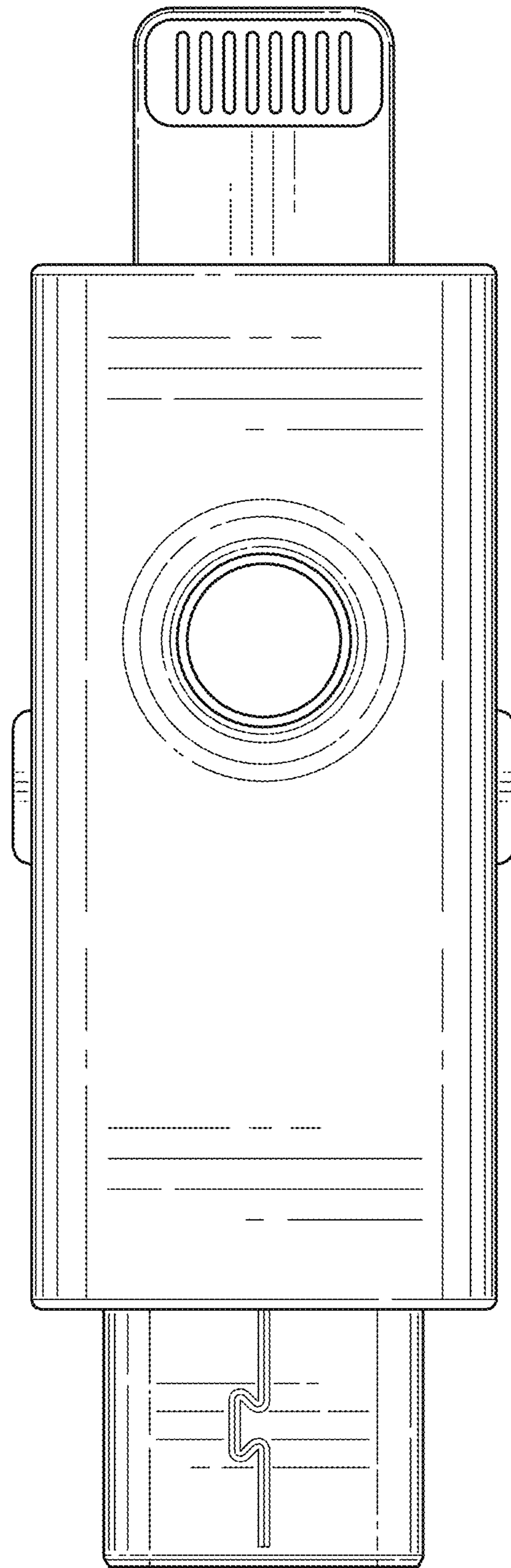


FIG. 7

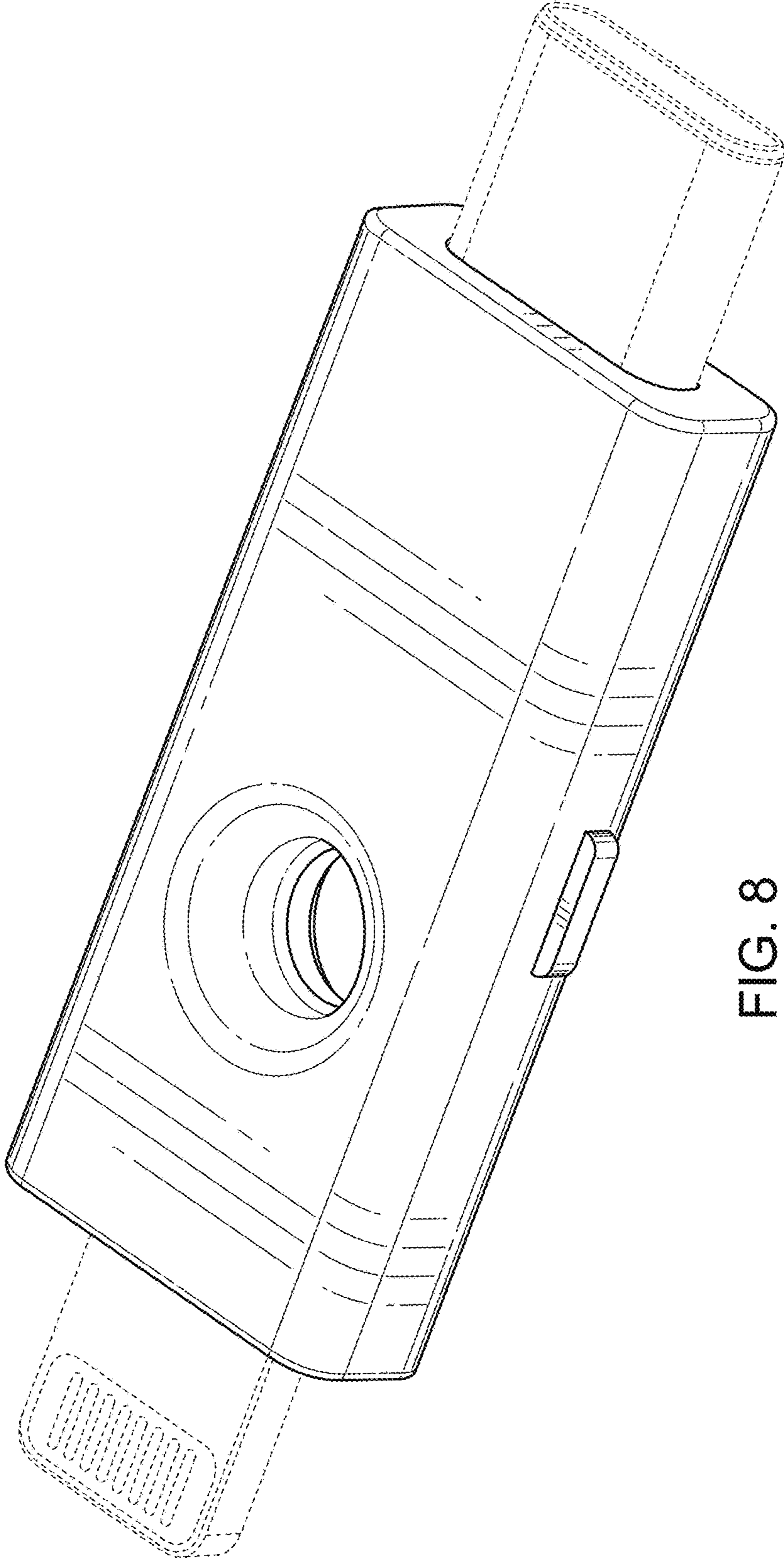


FIG. 8

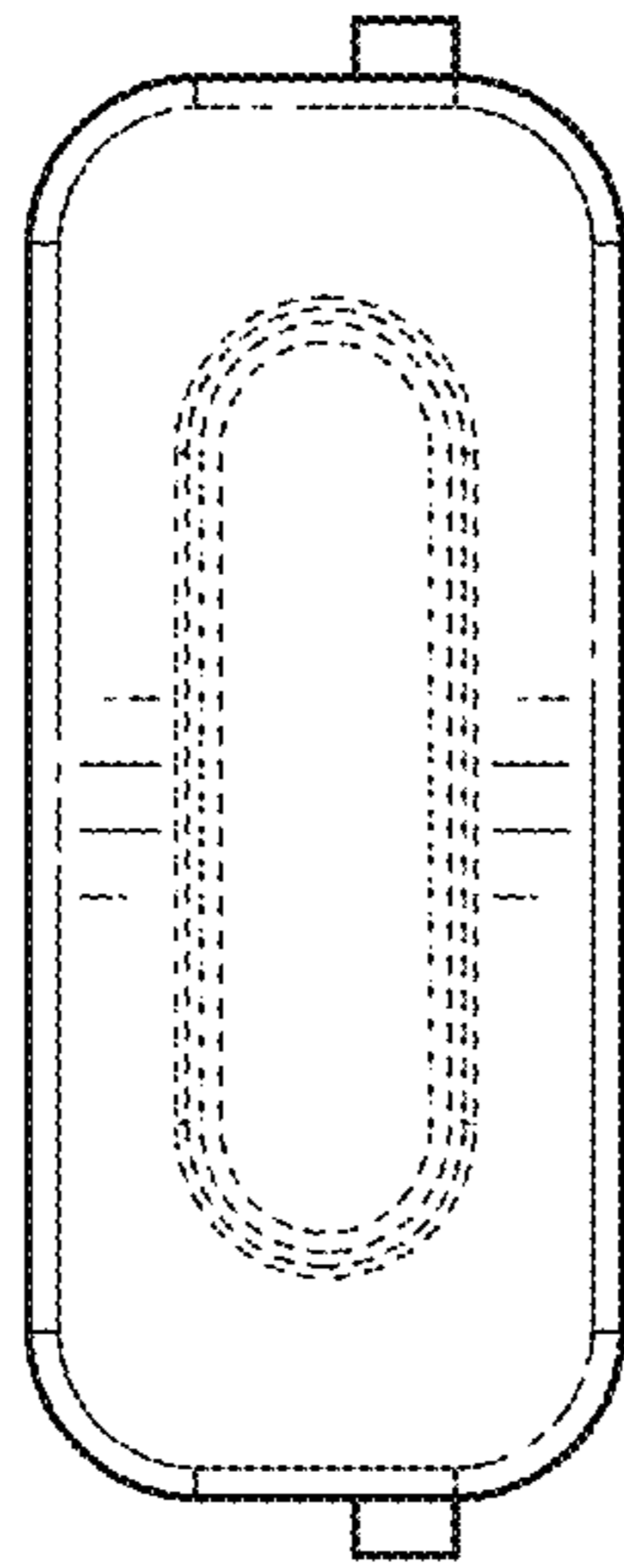


FIG. 9

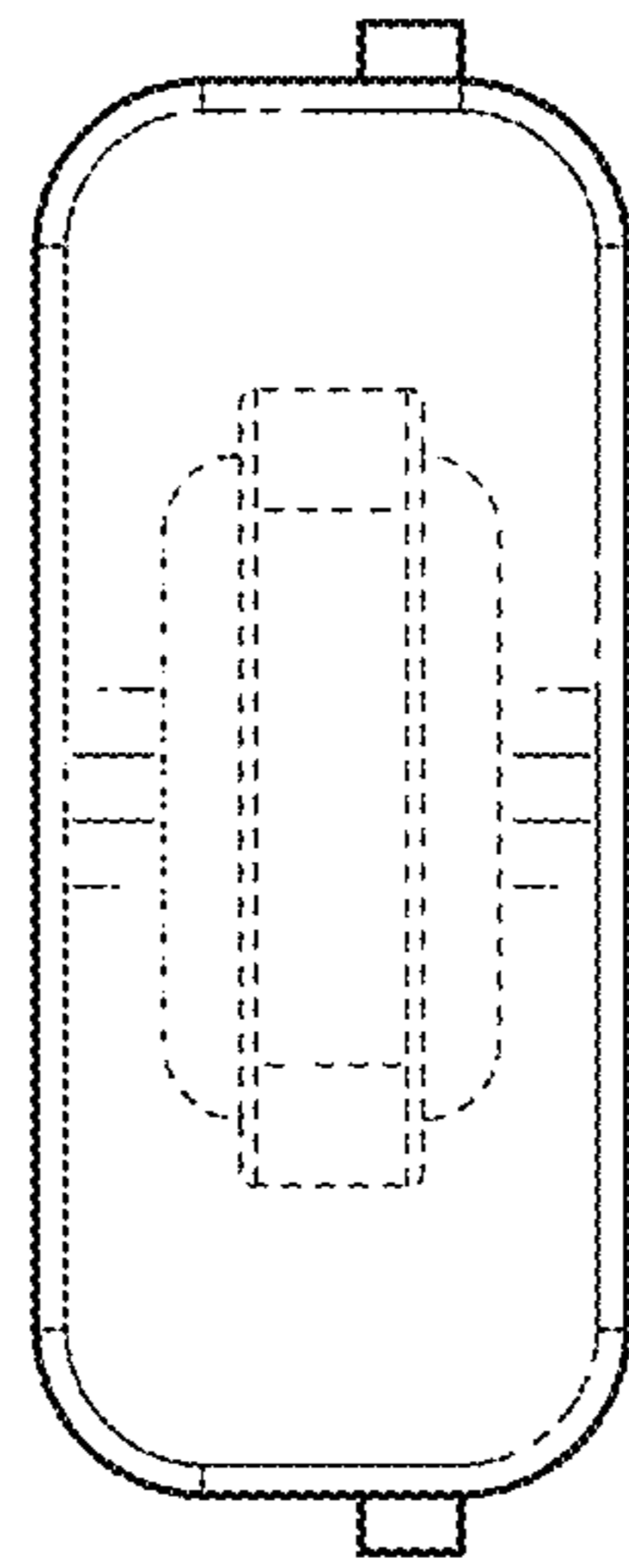


FIG. 10

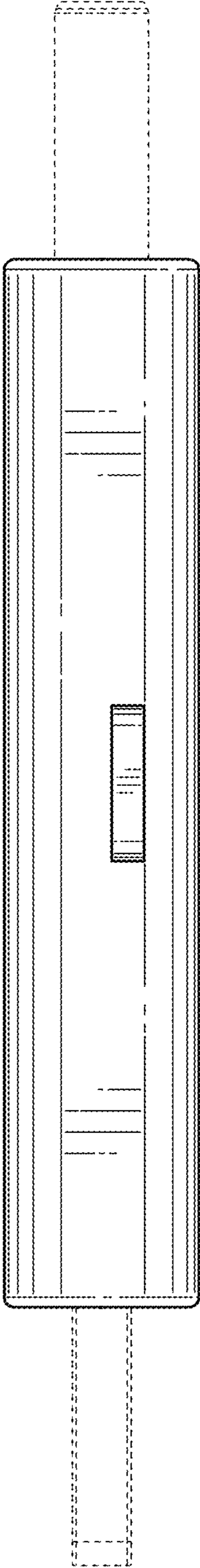


FIG. 11

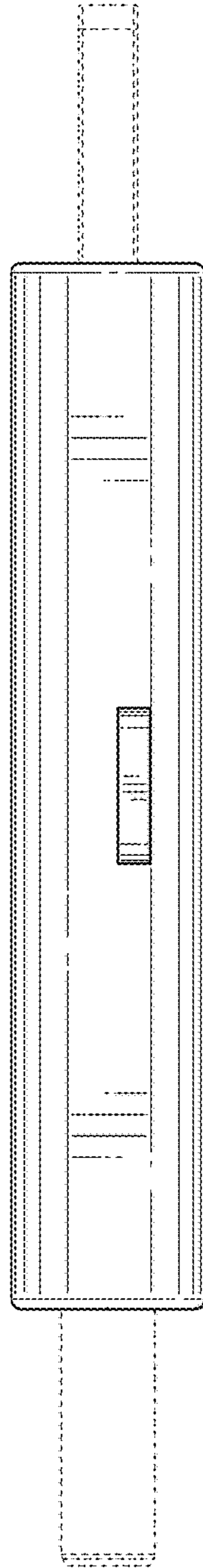


FIG. 12

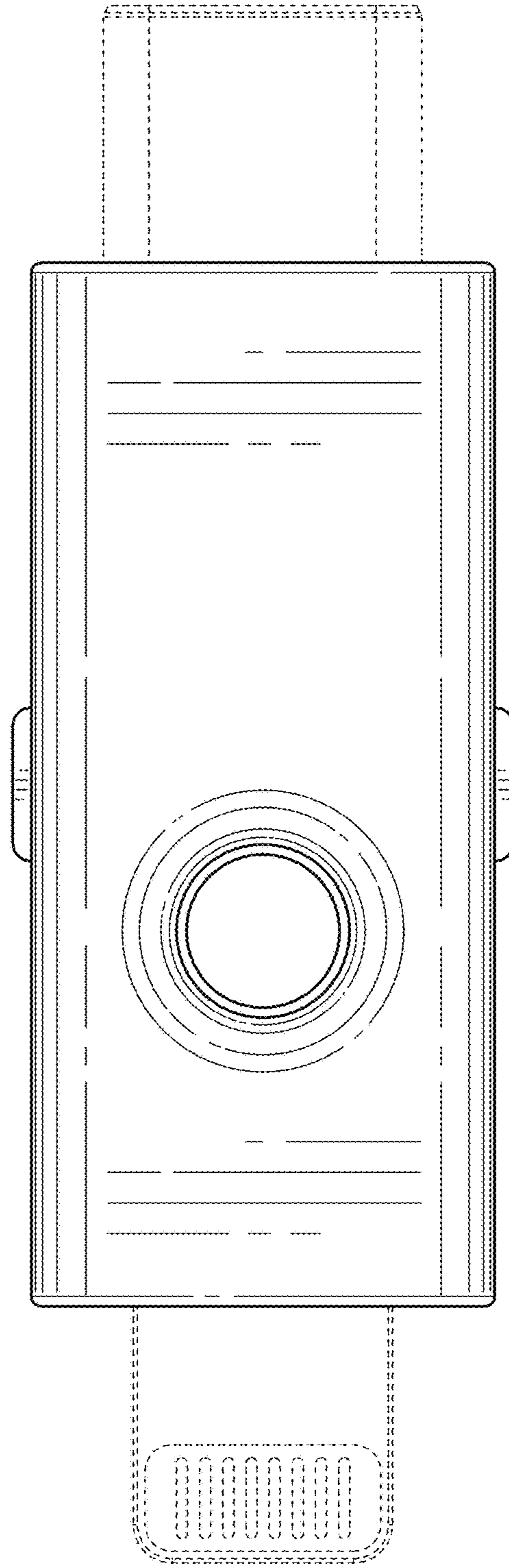


FIG. 13

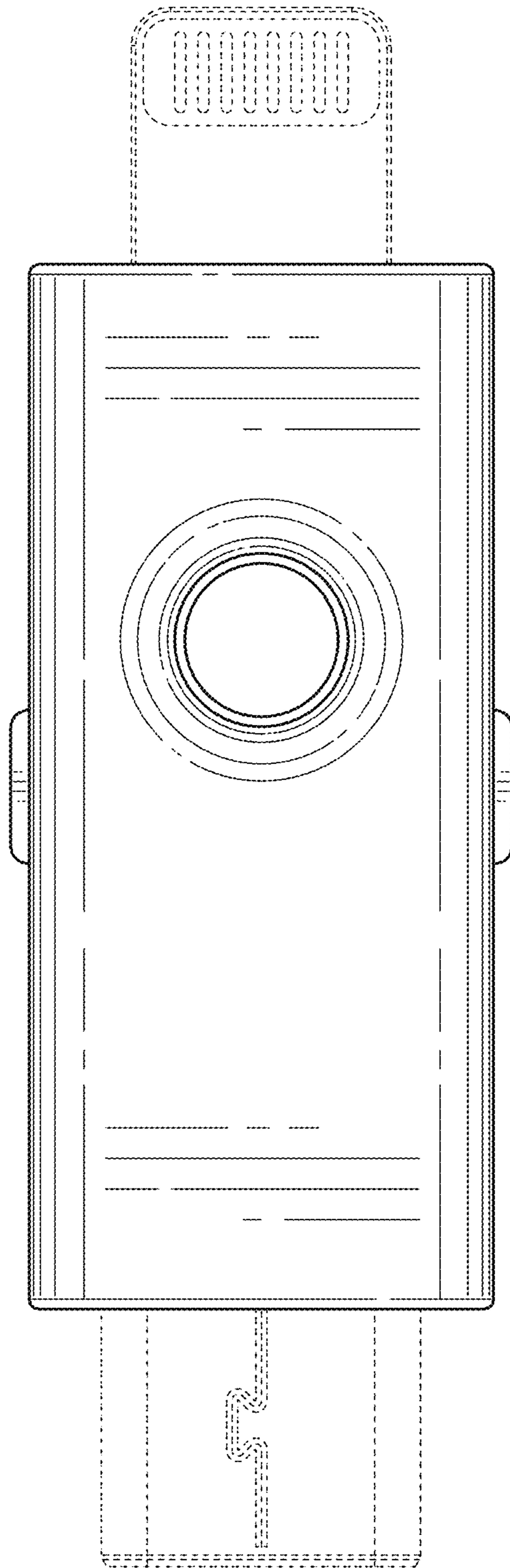


FIG. 14