

US00D846556S

(12) **United States Design Patent**
Zhu

(10) **Patent No.:** **US D846,556 S**

(45) **Date of Patent:** **** Apr. 23, 2019**

- (54) **KEYBOARD WITH COVER**
- (71) Applicant: **Bluefinger Electronics Co., LTD,**
Dongguan (CN)
- (72) Inventor: **Dajun Zhu,** Dongguan (CN)
- (73) Assignee: **Dongguan Bluefinger Electronics Co., LTD,** Dongguan (CN)

D733,150 S *	6/2015	Sirichai	D14/440
9,348,366 B2 *	5/2016	Fathollahi	G06F 1/1628
D787,500 S *	5/2017	Akana	D14/315
D790,552 S *	6/2017	Zhang	D14/440
D792,412 S *	7/2017	Zhang	D14/440
D792,885 S *	7/2017	Zhang	D14/440
D792,887 S *	7/2017	Zhang	D14/440
2012/0103855 A1 *	5/2012	Gaddis, II	G06F 1/1628 206/521
2016/0187937 A1 *	6/2016	Ahee	G06F 1/1681 361/679.09

(**) Term: **15 Years**

* cited by examiner

(21) Appl. No.: **29/620,801**

Primary Examiner — Brandon M Rosati

(22) Filed: **Jun. 7, 2017**

Assistant Examiner — Harold E Blackwell, II

(51) **LOC (11) Cl.** **14-02**

(74) *Attorney, Agent, or Firm* — Karthik Murthy; Murthy Patent Law PLLC

(52) **U.S. Cl.**
USPC **D14/455**

(57) **CLAIM**

(58) **Field of Classification Search**
USPC D14/240, 315, 391-399, 443, 455, 456,
D14/433; 361/679.08, 679.09, 679.55,
361/679.59, 679.17, 679.44, 679.41,
361/679.01, 679.26; 200/5 A, 5 R, 6 A,
200/6 R; 206/45.23, 320, 45.2
See application file for complete search history.

The ornamental design for a keyboard with cover, as shown and described.

DESCRIPTION

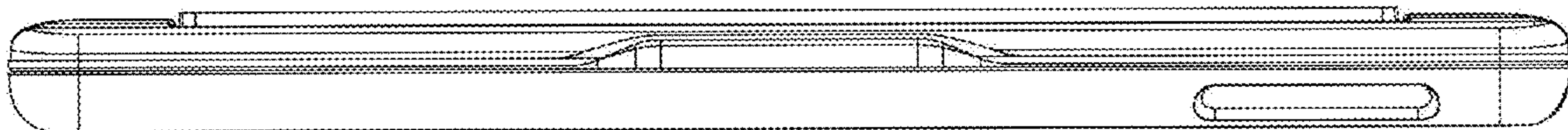
(56) **References Cited**

U.S. PATENT DOCUMENTS

D624,911 S *	10/2010	Lee	D14/315
D712,413 S *	9/2014	Fukai	D14/440
8,922,982 B1 *	12/2014	Chen	F16M 11/10 361/679.08
D721,081 S *	1/2015	Hirst	D14/440

FIG. 1 is a front side while closed view of a keyboard with cover showing my new design;
FIG. 2 is a left side while closed view thereof;
FIG. 3 is a top while closed view thereof;
FIG. 4 is a rear side while closed view thereof;
FIG. 5 is a right side while closed view thereof; and,
FIG. 6 is a top while closed view thereof.
The broken lines in the drawings illustrate portions of the keyboard with cover which form no part of the claimed design.

1 Claim, 6 Drawing Sheets



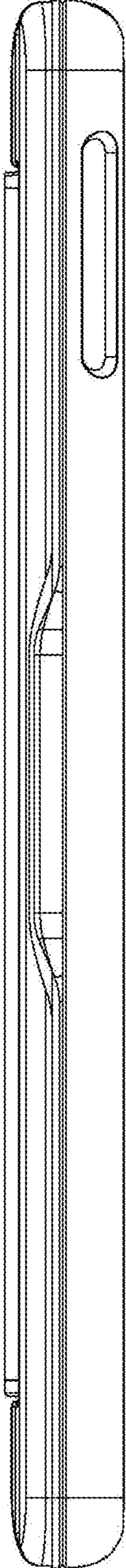


FIG. 1

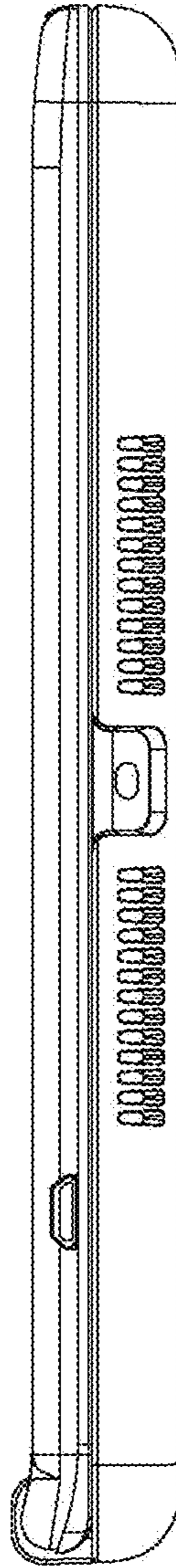


FIG. 2

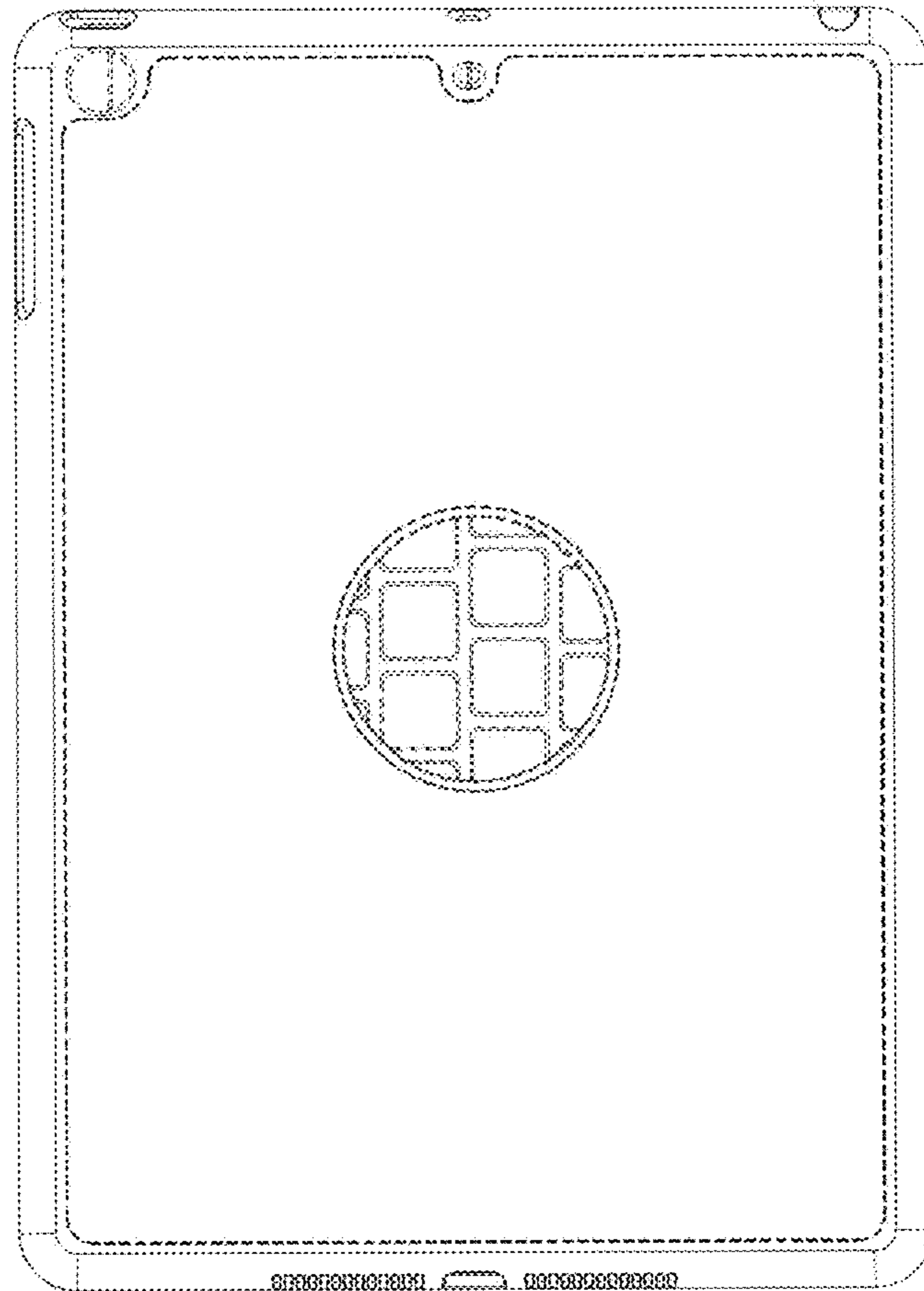


FIG. 3

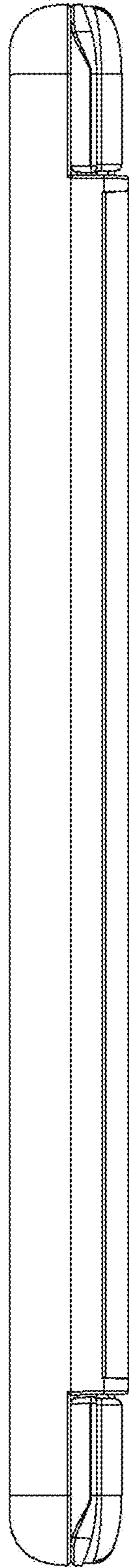


FIG. 4

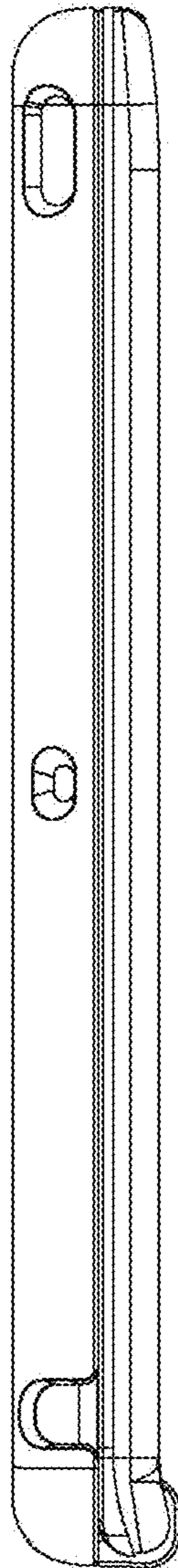


FIG. 5

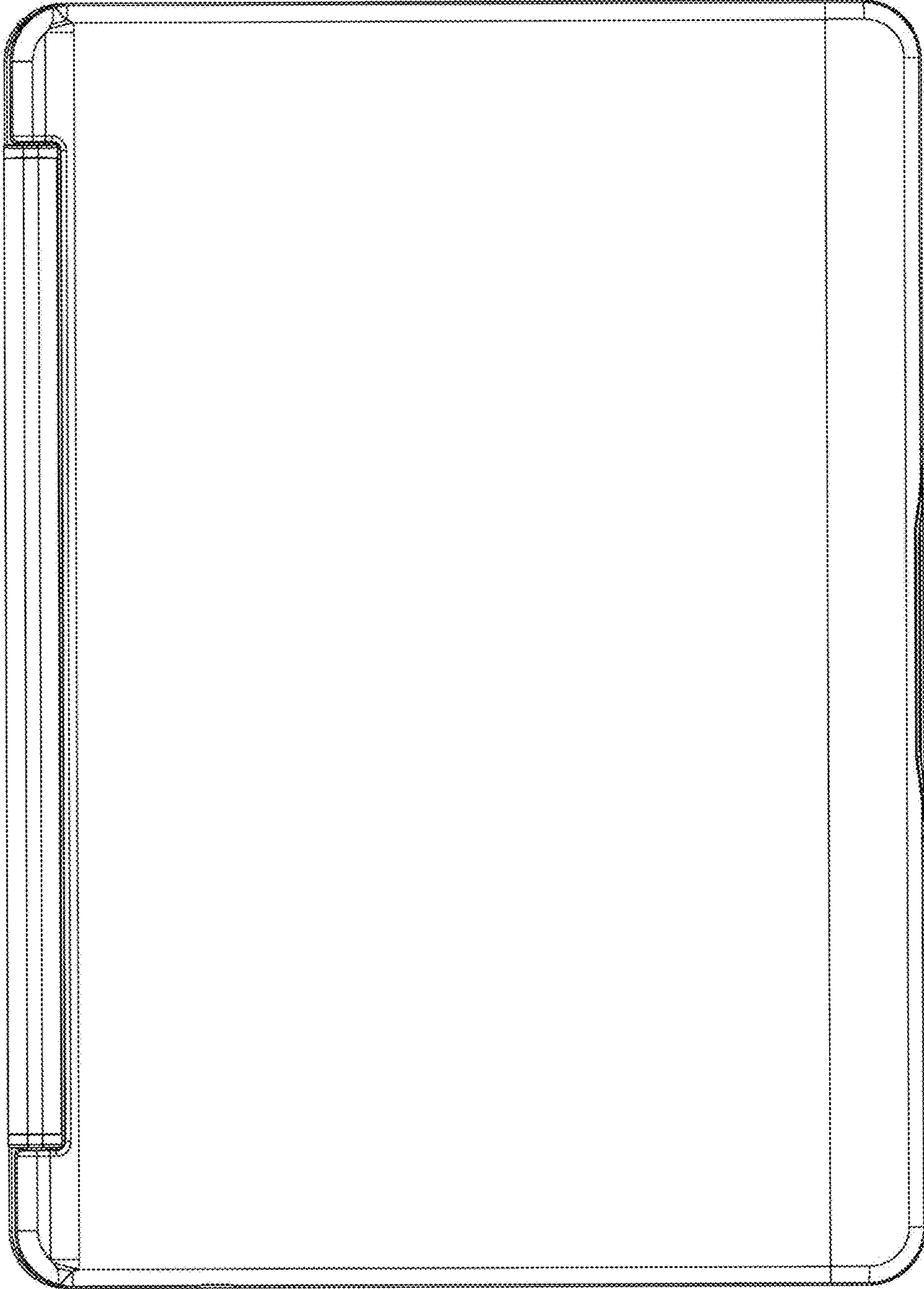


FIG. 6