



US00D846555S

(12) **United States Design Patent** (10) **Patent No.:** **US D846,555 S**
Park et al. (45) **Date of Patent:** **** Apr. 23, 2019**

(54) **STAND FOR E-BOARD**

(71) Applicant: **Samsung Electronics Co., Ltd.**,
Suwon-si (KR)

(72) Inventors: **Jeongwoo Park**, Seoul (KR); **Donghee Won**, Seoul (KR); **Sungjin Ann**, Seoul (KR); **Juwon Cho**, Seoul (KR)

(73) Assignee: **Samsung Electronics Co., Ltd.**,
Suwon-si (KR)

(**) Term: **15 Years**

(21) Appl. No.: **29/637,286**

(22) Filed: **Feb. 15, 2018**

(51) **LOC (11) Cl.** **14-02**

(52) **U.S. Cl.**
USPC **D14/451**

(58) **Field of Classification Search**
USPC D14/371–382, 125–129, 335–337,
D14/447–452, 492, 239, 457, 439–441,
D14/432, 251–253; D8/349, 354, 363,
D8/373, 376, 380; 348/180, 184, 325,
348/739, 825; D12/407, 415; D3/218;
341/12

CPC G06F 3/0412; G06F 3/016; G06F 3/0488;
G06F 3/011; G06F 3/038; G06F 3/03543;
G06F 3/0338; G06F 3/0202; G06F
3/0219; G06F 3/0213; G06F 1/1616;
G06F 3/023; G06F 3/04883; G02F
1/13338; G02F 1/1313; G02F 1/1333;
G02F 1/135; G02F 1/132; G02F
1/133308; G02F 1/134309; G02F
1/13718; G09G 3/3648; G06K 15/1252;
B41J 2/465; G03F 7/70291; G02B
27/0172; G02B 5/30; G02B 2027/0118;
G02B 27/0101; F16M 13/02; F16M
13/00; F16M 11/10; F16M 11/04; F16M
2200/08; F16M 11/2021; A47B 21/0314;
A47B 88/044; A47B 2021/0335; H02G
3/126; F16B 47/00; F16B 47/006; A47G
1/17; A47K 2201/00

See application file for complete search history.

(56) **References Cited**

U.S. PATENT DOCUMENTS

D700,170	S	*	2/2014	Choi	D14/239
D700,187	S	*	2/2014	Lee	D14/451
D705,200	S	*	5/2014	Choi	D14/239
D725,661	S	*	3/2015	Snyder	D14/451
D746,825	S	*	1/2016	Kang	D14/451
D762,624	S	*	8/2016	Hu	D14/239
D784,305	S	*	4/2017	Lee	D14/239

(Continued)

Primary Examiner — Katie Jane Stofko

(74) *Attorney, Agent, or Firm* — NSIP Law

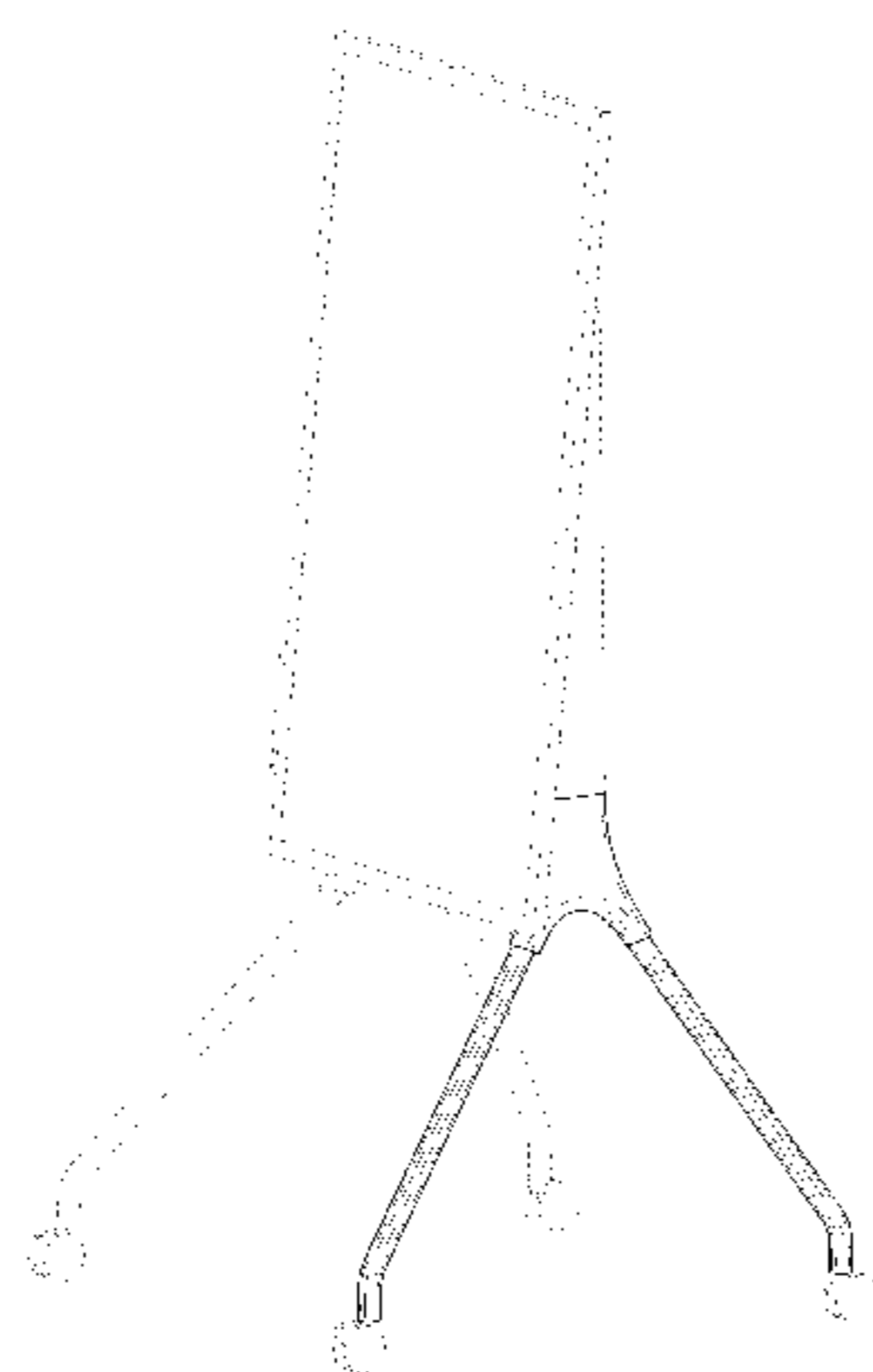
(57) **CLAIM**

We claim the ornamental design for a stand for e-board, as shown and described.

DESCRIPTION

FIG. 1 is a front perspective view of a stand for e-board showing our new design;
FIG. 2 is a front view thereof;
FIG. 3 is a rear view thereof;
FIG. 4 is a left-side view thereof;
FIG. 5 is a right-side view thereof;
FIG. 6 is a top view thereof;
FIG. 7 is a bottom view thereof;
FIG. 8 is a rear perspective view thereof; and,
FIG. 9 is another front perspective view thereof as shown in an e-board environment.
The broken lines shown in FIGS. 1-8 illustrate portions of the stand for e-board that form no part of the claimed design. The broken lines illustrating the monitor and extra stand in FIG. 9 are environment that form no part of the claimed design. while the remaining broken lines in FIG. 9 illustrate portions of the stand for e-board that form no part of the claimed design.

1 Claim, 9 Drawing Sheets



(56)

References Cited

U.S. PATENT DOCUMENTS

D788,054 S *	5/2017	Choi	D14/126
D788,749 S *	6/2017	Lee	D14/239
D793,402 S *	8/2017	Kwon	D14/451
D794,620 S *	8/2017	Lee	D14/239
D818,999 S *	5/2018	Kim	D14/239
D824,889 S *	8/2018	Debaigue	D14/239

* cited by examiner

FIG. 1

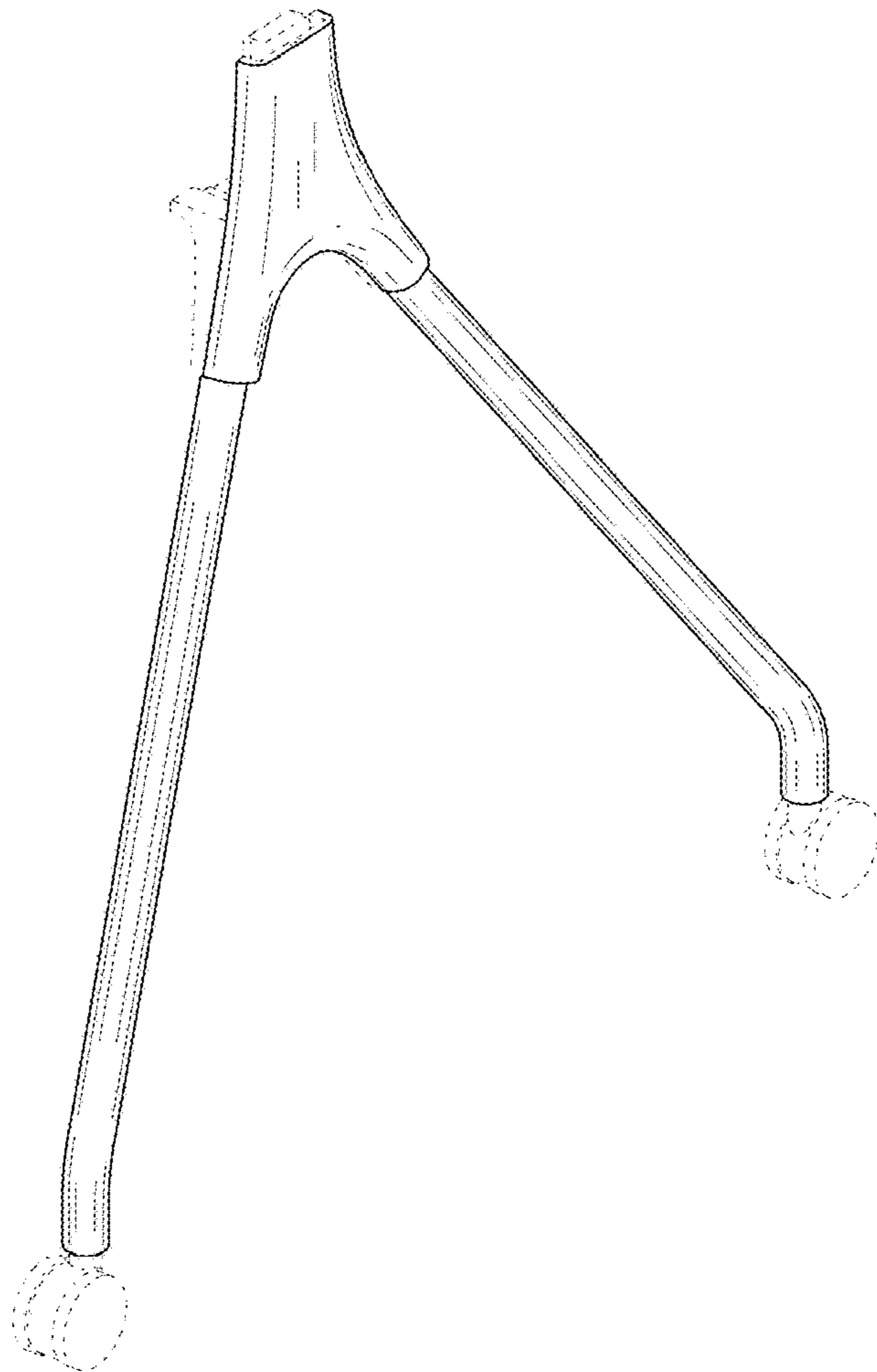


FIG. 2

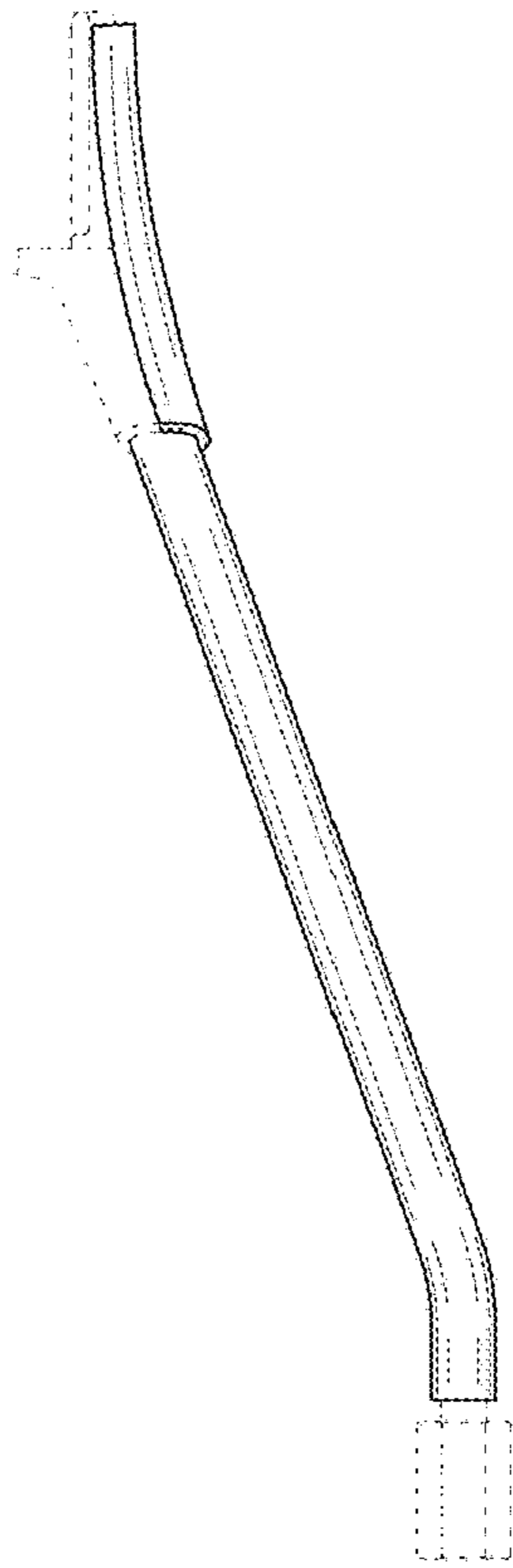


FIG. 3

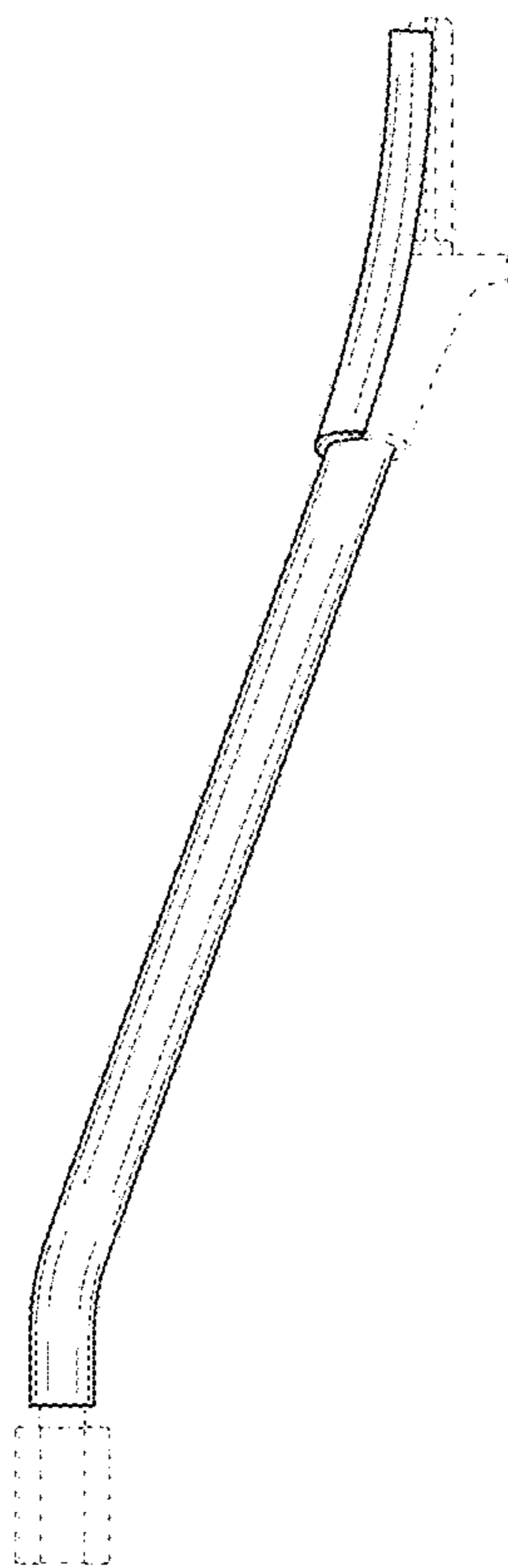


FIG. 4

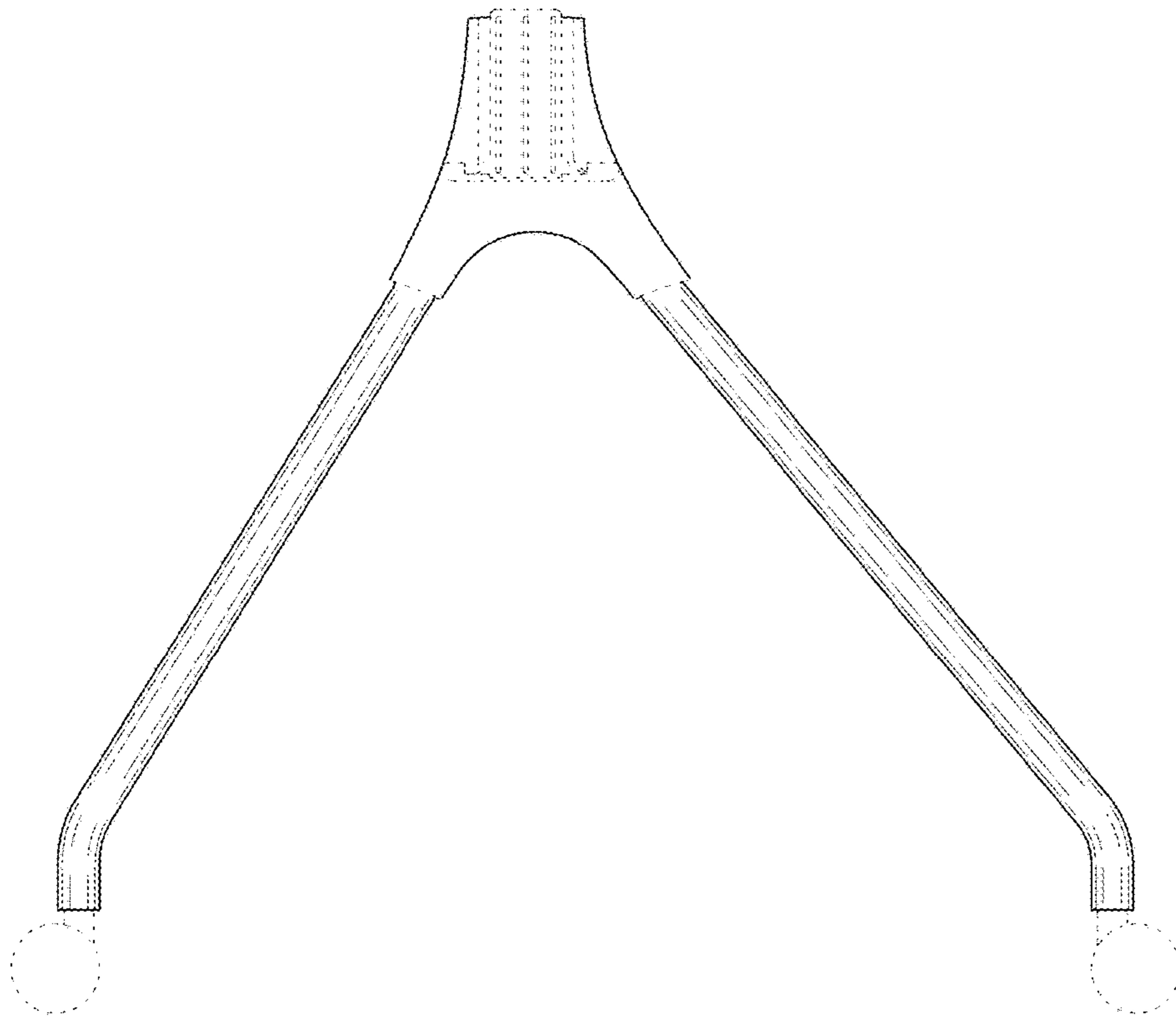


FIG. 5

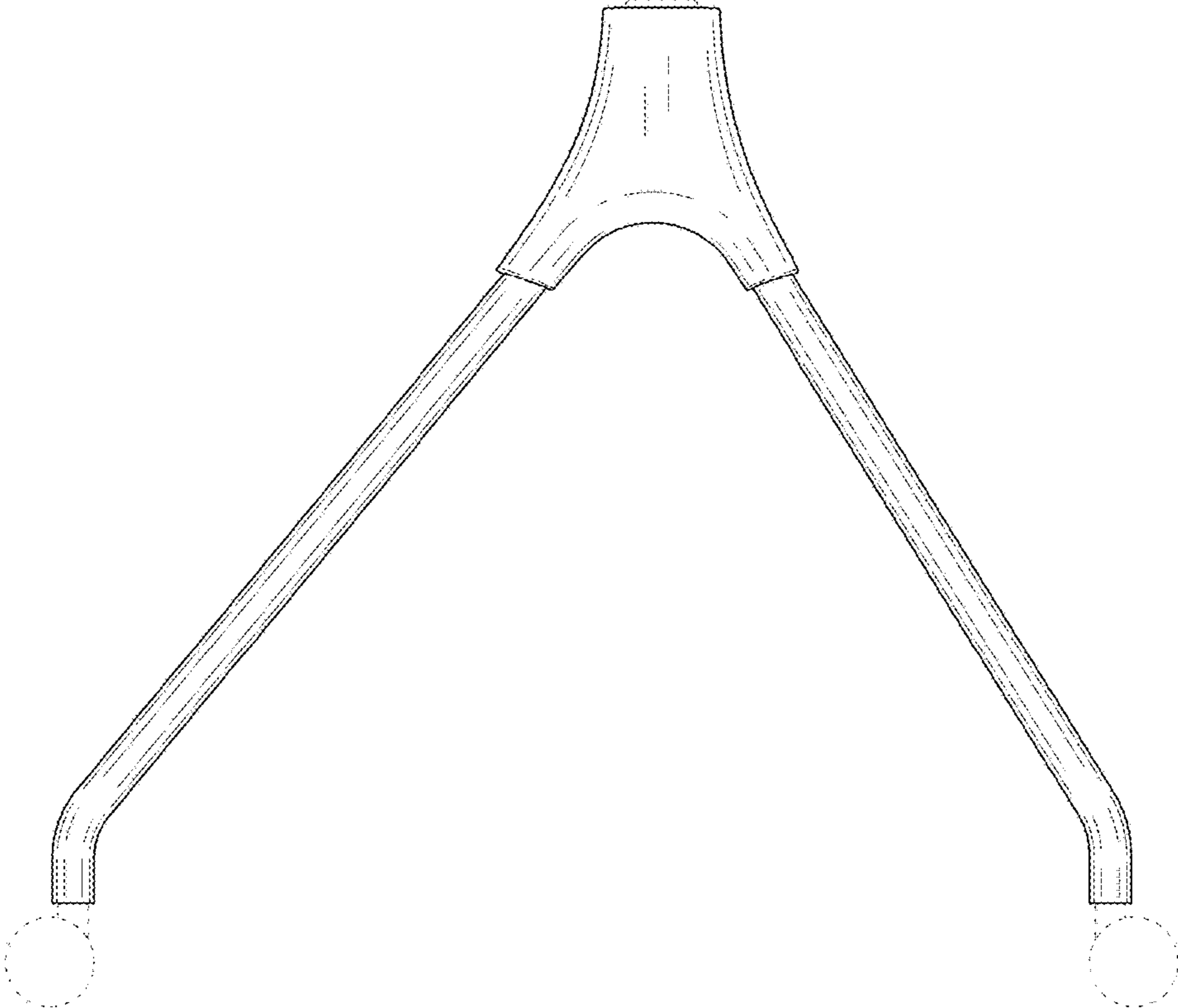


FIG. 6

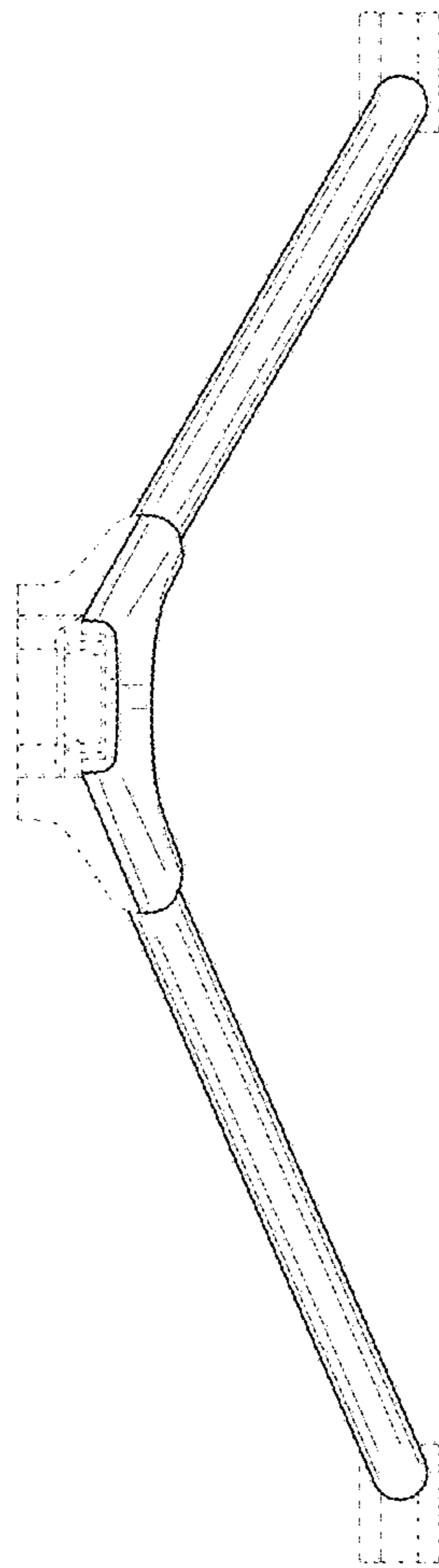


FIG. 7

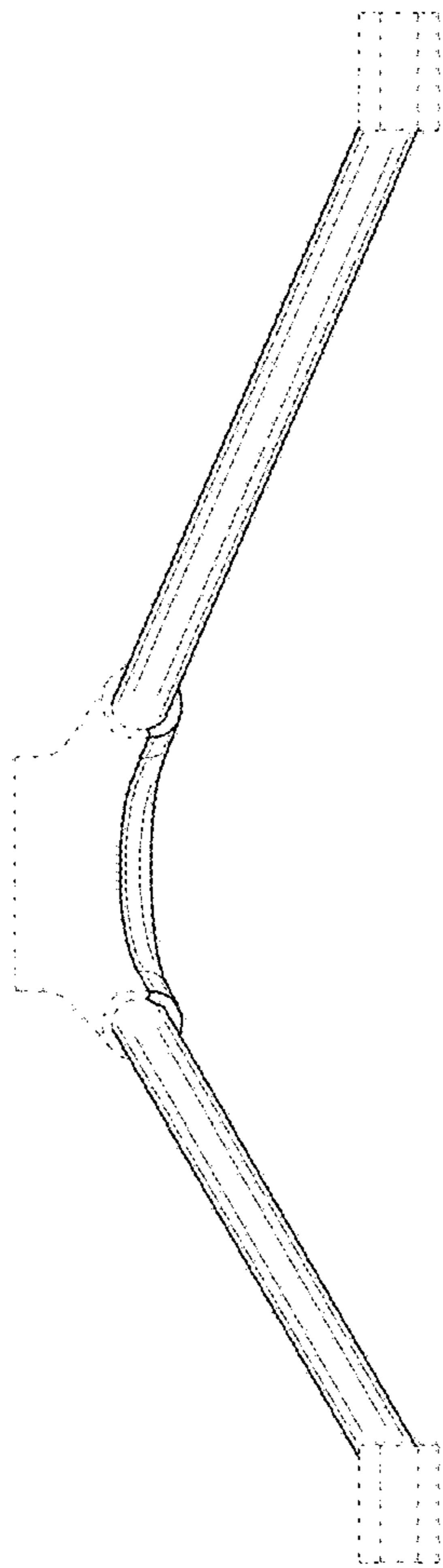


FIG. 8

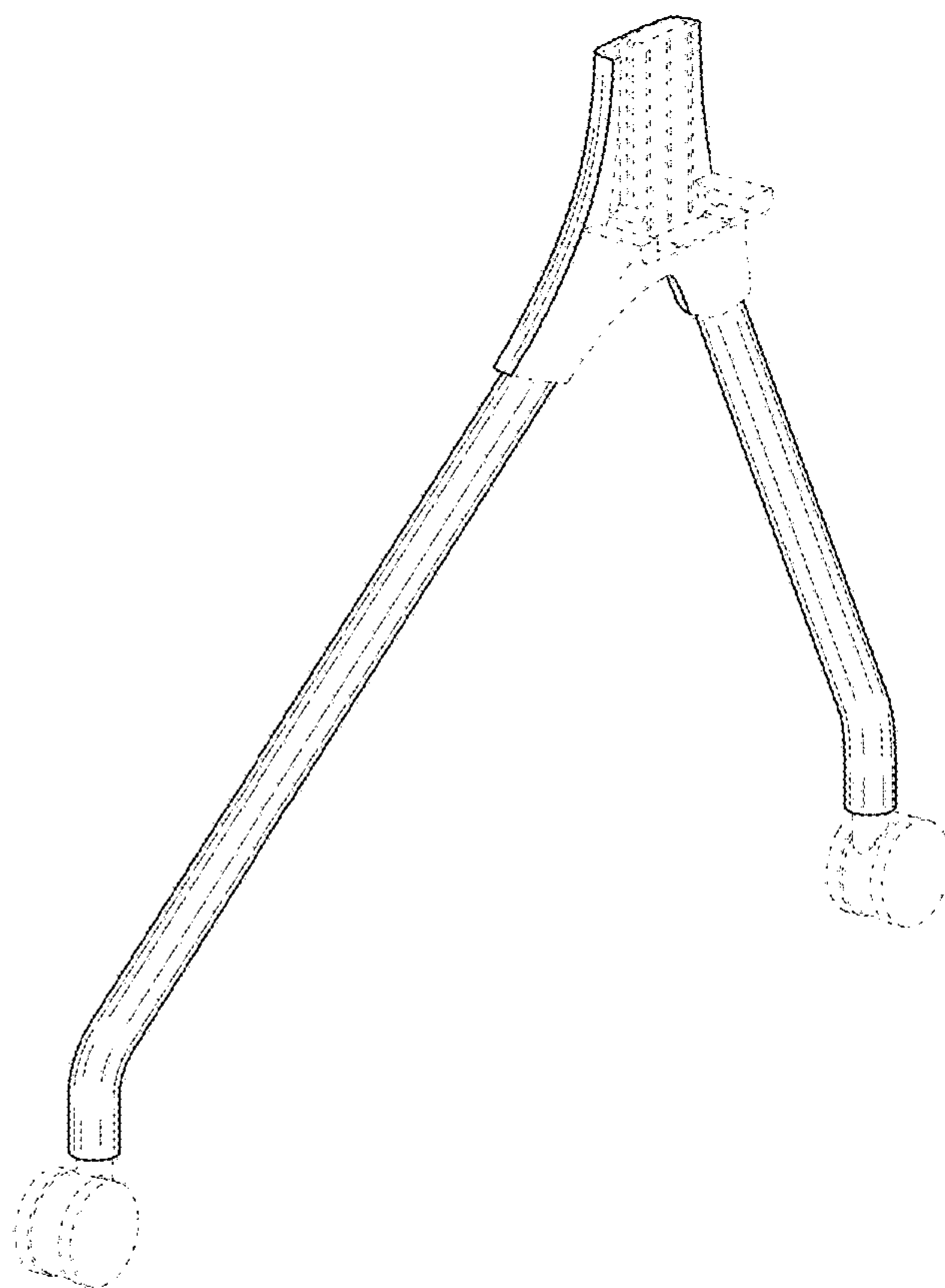
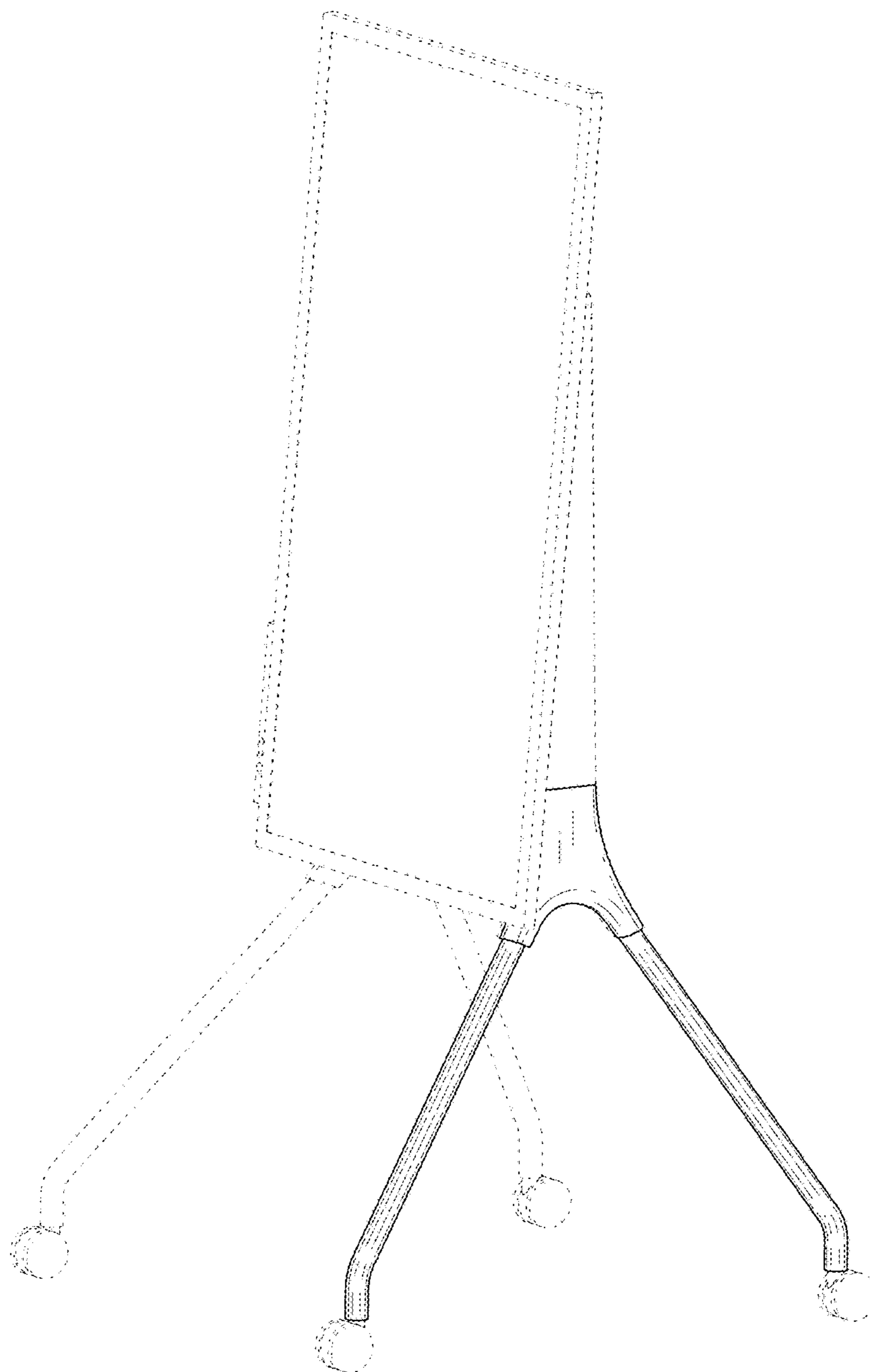


FIG. 9



UNITED STATES PATENT AND TRADEMARK OFFICE
CERTIFICATE OF CORRECTION

PATENT NO. : D846,555 S
APPLICATION NO. : 29/637286
DATED : April 23, 2019
INVENTOR(S) : Jeongwoo Park et al.

Page 1 of 1

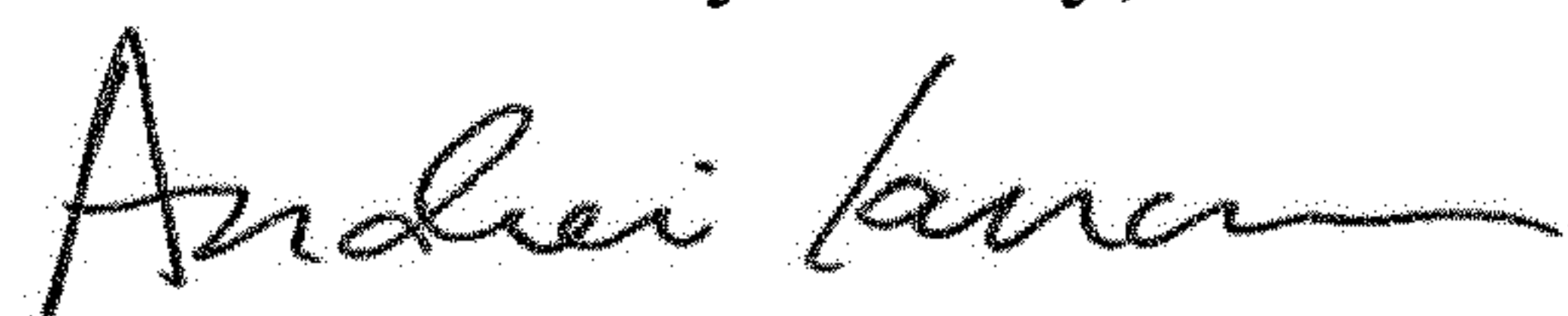
It is certified that error appears in the above-identified patent and that said Letters Patent is hereby corrected as shown below:

On the Title Page

Add Item (30) Foreign Application Priority Data:

August 28, 2017 (KR)30-2017-0040018

Signed and Sealed this
Second Day of July, 2019



Andrei Iancu
Director of the United States Patent and Trademark Office