



US00D846554S

(12) **United States Design Patent** (10) **Patent No.:** **US D846,554 S**
Burmester (45) **Date of Patent:** **** Apr. 23, 2019**

(54) **SUPPORT FOR COMPUTER TERMINALS AND COMPUTER KEYBOARDS**

FOREIGN PATENT DOCUMENTS

(71) Applicant: **Ergonomic Solutions International Limited**, GB-Surrey (GB)

GB 2391170 A * 2/2004 F16M 11/08
JP D1501569 * 6/2014
JP D1501570 * 6/2014

(72) Inventor: **Benny Burmester**, Epsom (GB)

OTHER PUBLICATIONS

(73) Assignee: **ERGONOMIC SOLUTIONS INTERNATIONAL LIMITED**, Surrey (GB)

Acrom. <URL: <http://www.acrom.ro/spacepole-mounting-solutions/>>. Visited Sep. 9, 2016. Display mounting stands.*
(Continued)

(**) Term: **15 Years**

Primary Examiner — Bridget L Eland

(21) Appl. No.: **29/543,067**

Assistant Examiner — Lauren D McVey

(22) Filed: **Oct. 20, 2015**

(74) *Attorney, Agent, or Firm* — Berg Hill Greenleaf Ruscitti LLP

(51) **LOC (11) Cl.** **14-02**

(52) **U.S. Cl.**
USPC **D14/447**

(57) **CLAIM**

(58) **Field of Classification Search**
USPC D14/312, 375, 376, 251, 253, 447-452;
D6/312; D8/349, 363, 373, 380
CPC F16M 13/022; F16M 11/06; F16M 11/08;
H05K 5/0017; A47B 21/0014; A47B 81/061; A47B 81/062; A47B 81/064;
A47B 97/001; A47B 2097/005
See application file for complete search history.

The ornamental design for a support for computer terminals and computer keyboards, as shown and described.

DESCRIPTION

(56) **References Cited**

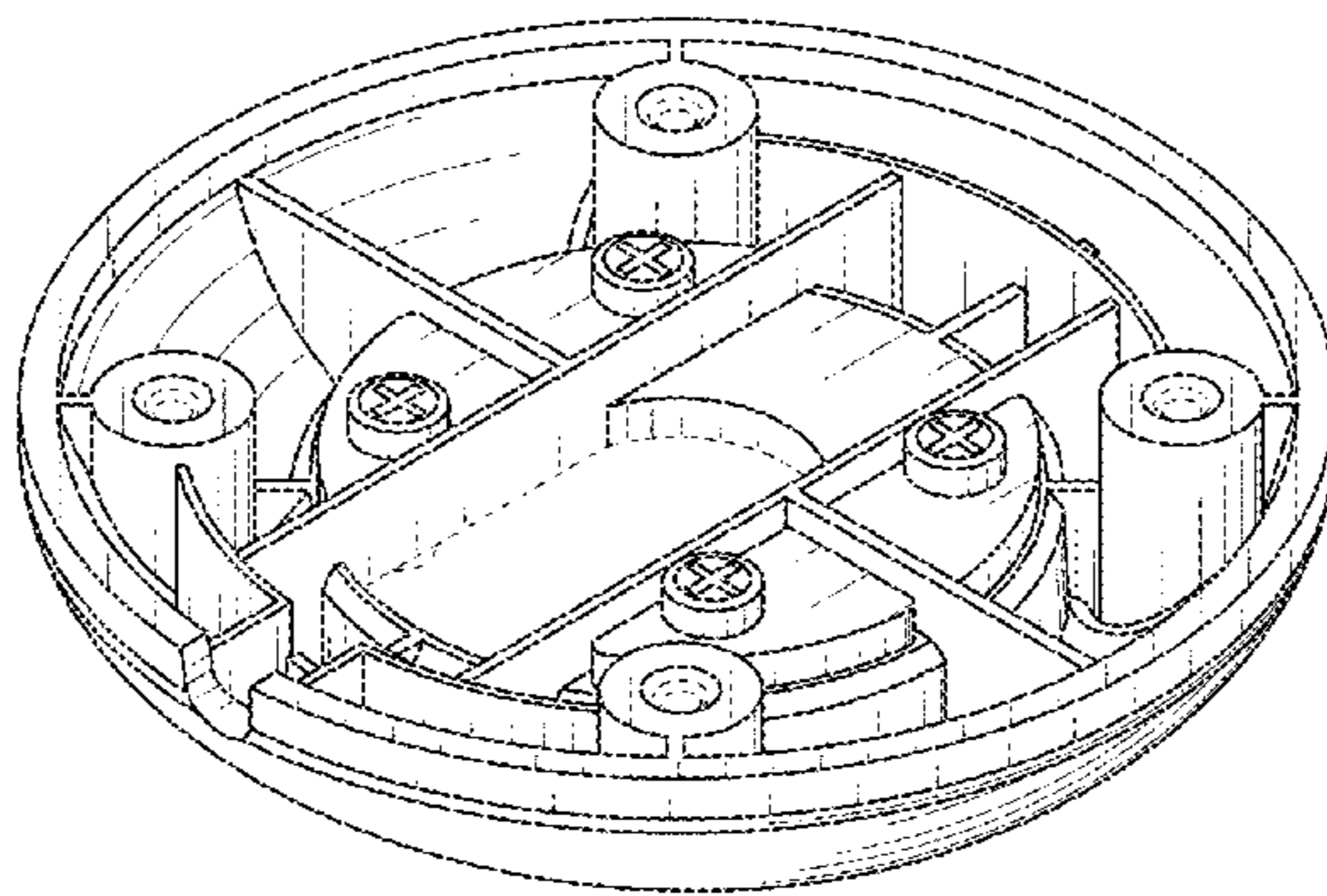
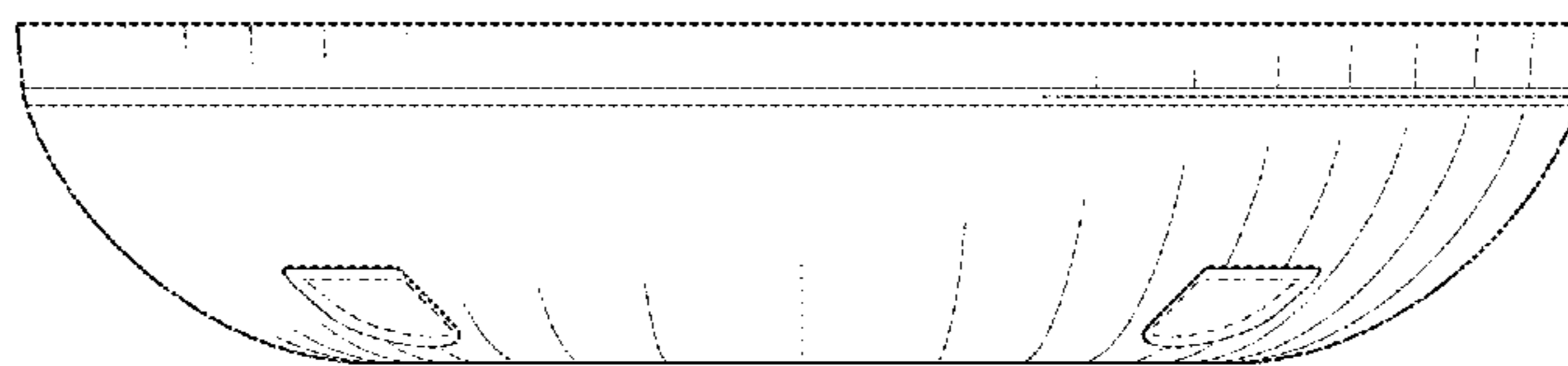
U.S. PATENT DOCUMENTS

D349,489 S * 8/1994 Wang D14/375
D354,750 S * 1/1995 Lewis D14/211
D407,408 S * 3/1999 Hoff D14/253
D423,821 S * 5/2000 Crump D14/299
D426,200 S * 6/2000 Aeschbacher D14/126
D456,415 S * 4/2002 Deuschle D14/447
D460,078 S * 7/2002 Li D14/452
6,476,717 B1 * 11/2002 Gross G08B 13/1463
340/568.1
D495,370 S * 8/2004 Loerop D20/10

FIG. 1 is a left side view of a support for computer terminals and computer keyboards showing my new design;
FIG. 2 is a bottom view thereof;
FIG. 3 is a top view thereof;
FIG. 4 is a right side view thereof.
FIG. 5 is a front view thereof; the rear view being a mirror image thereof; and,
FIG. 6 is a top perspective view thereof.

The outermost broken lines immediately adjacent the claim represent the bounds of the claimed design while all other broken lines are directed to environment and are for illustrative purposes only; the broken lines form no part of the claimed design. In addition, the unshaded surface in the FIG. 2 view that directly adjoins the claimed solid line edge of the center circle forms no part of the claimed design.

1 Claim, 3 Drawing Sheets



(56)

References Cited

U.S. PATENT DOCUMENTS

D496,923 S * 10/2004 Allen D14/211
 D545,825 S * 7/2007 Richter D14/447
 D545,826 S * 7/2007 Richter D14/251
 D556,205 S * 11/2007 Wohlford D14/452
 D568,144 S * 5/2008 Wohlford D14/451
 D588,141 S * 3/2009 Heggland D14/434
 D588,602 S * 3/2009 Chao D14/451
 D591,755 S * 5/2009 Richter D14/253
 D591,756 S * 5/2009 Wohlford D14/452
 D597,764 S * 8/2009 Topcuoglu D20/10
 D602,342 S * 10/2009 Brassard D14/452
 D607,844 S * 1/2010 Feldstein D13/168
 D614,613 S * 4/2010 Kim D14/253
 D629,405 S * 12/2010 Crysell D14/447
 8,020,816 B2 * 9/2011 Laitila F16M 13/00
 16/342
 D658,651 S * 5/2012 Lee D14/452
 D663,306 S * 7/2012 Barbieri D14/452
 D671,545 S * 11/2012 Guran D14/447
 8,317,152 B1 * 11/2012 Zhou F16M 11/041
 248/122.1
 D678,297 S * 3/2013 Willkomm D14/447
 D688,672 S * 8/2013 Seo D14/451
 D691,149 S * 10/2013 Breton D14/447
 D693,352 S * 11/2013 Gelsomini D14/447
 D696,259 S * 12/2013 Howarth D14/447

D696,674 S * 12/2013 Vogel D14/447
 D702,244 S * 4/2014 Seo D14/451
 D704,195 S * 5/2014 Marquette D14/447
 D704,709 S * 5/2014 Bussoli D14/128
 D704,713 S * 5/2014 Liniger D14/447
 D704,716 S * 5/2014 Ho D14/451
 D724,072 S * 3/2015 Jiang D14/253
 D729,222 S * 5/2015 Grziwok D14/253
 9,038,971 B1 * 5/2015 Guthrie F16M 13/022
 248/121
 D733,157 S * 6/2015 Kim D14/447
 D733,526 S * 7/2015 Delrue D14/447
 D735,210 S * 7/2015 Kim D14/447
 D735,727 S * 8/2015 Dugger D14/447
 D750,515 S * 3/2016 Ditges D10/74
 2001/0035479 A1 * 11/2001 Roebuck A47B 21/0314
 248/125.1
 2007/0157856 A1 * 7/2007 Skoog A47B 81/061
 108/70
 2015/0345699 A1 * 12/2015 Manniche F16M 13/022
 29/428

OTHER PUBLICATIONS

SpacePole. <URL: <http://www.ergonomicsolutions.net/products/clicksafe/>>. Visited Sep. 9, 2016. Display mounting stands.*

* cited by examiner

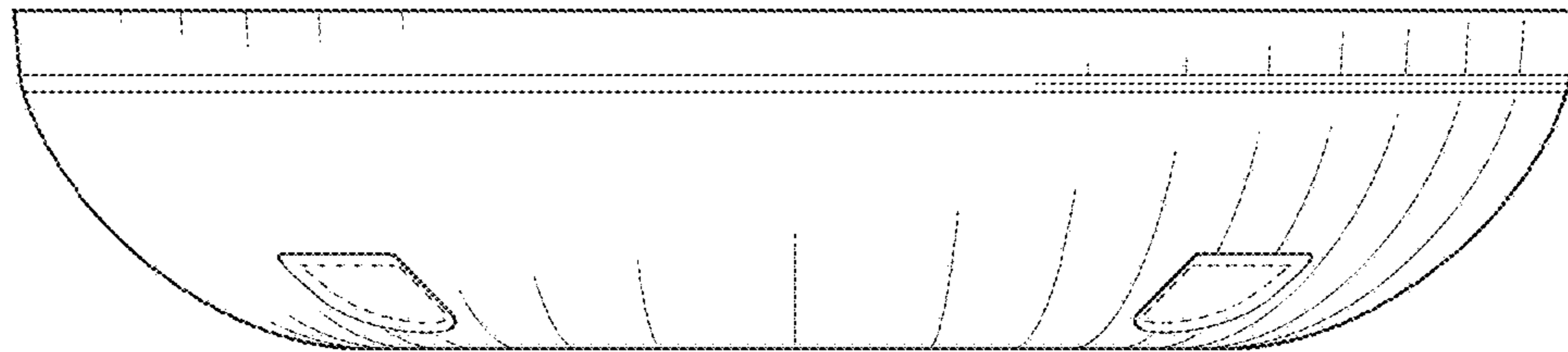


FIG. 1

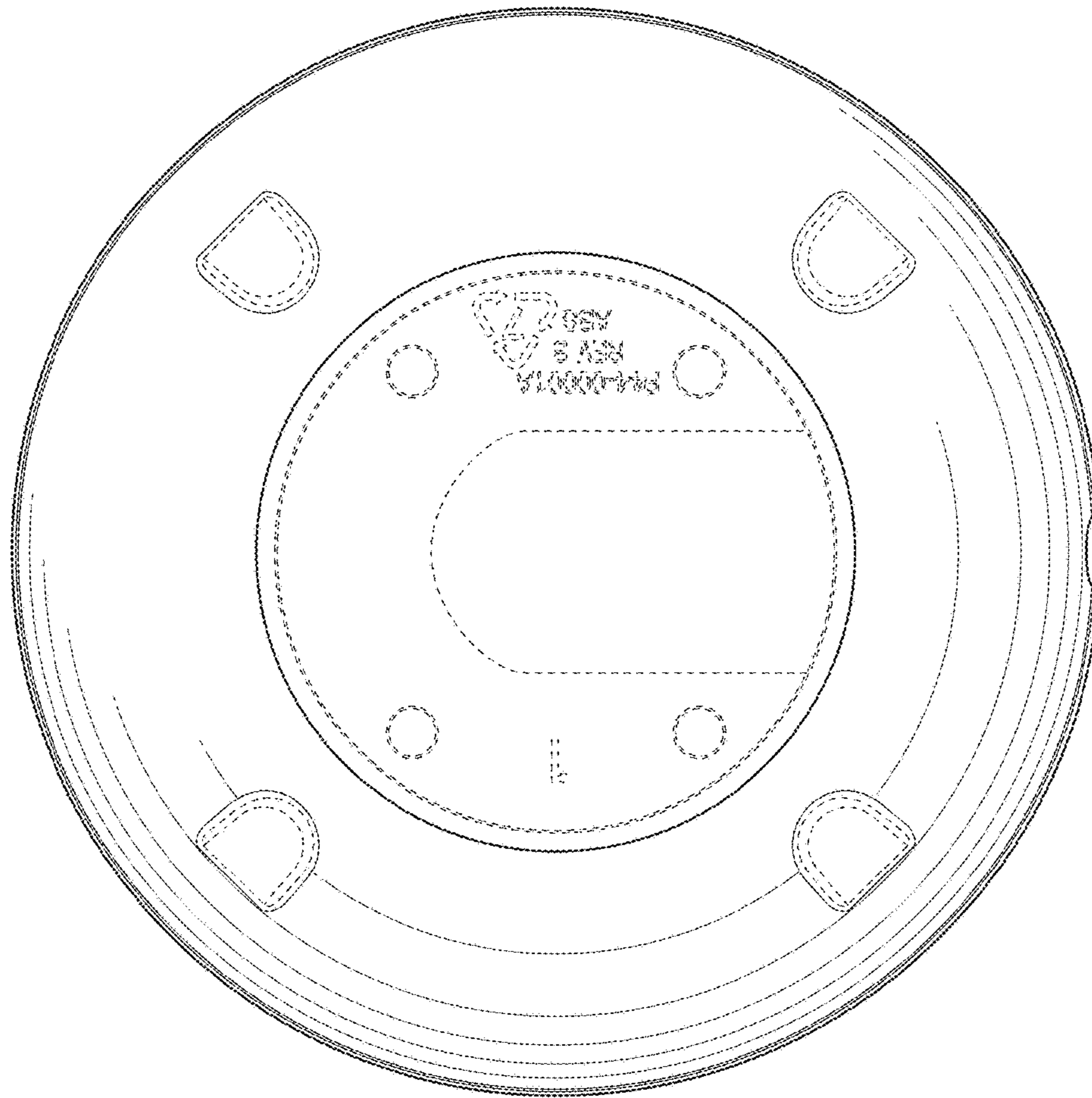


FIG. 2

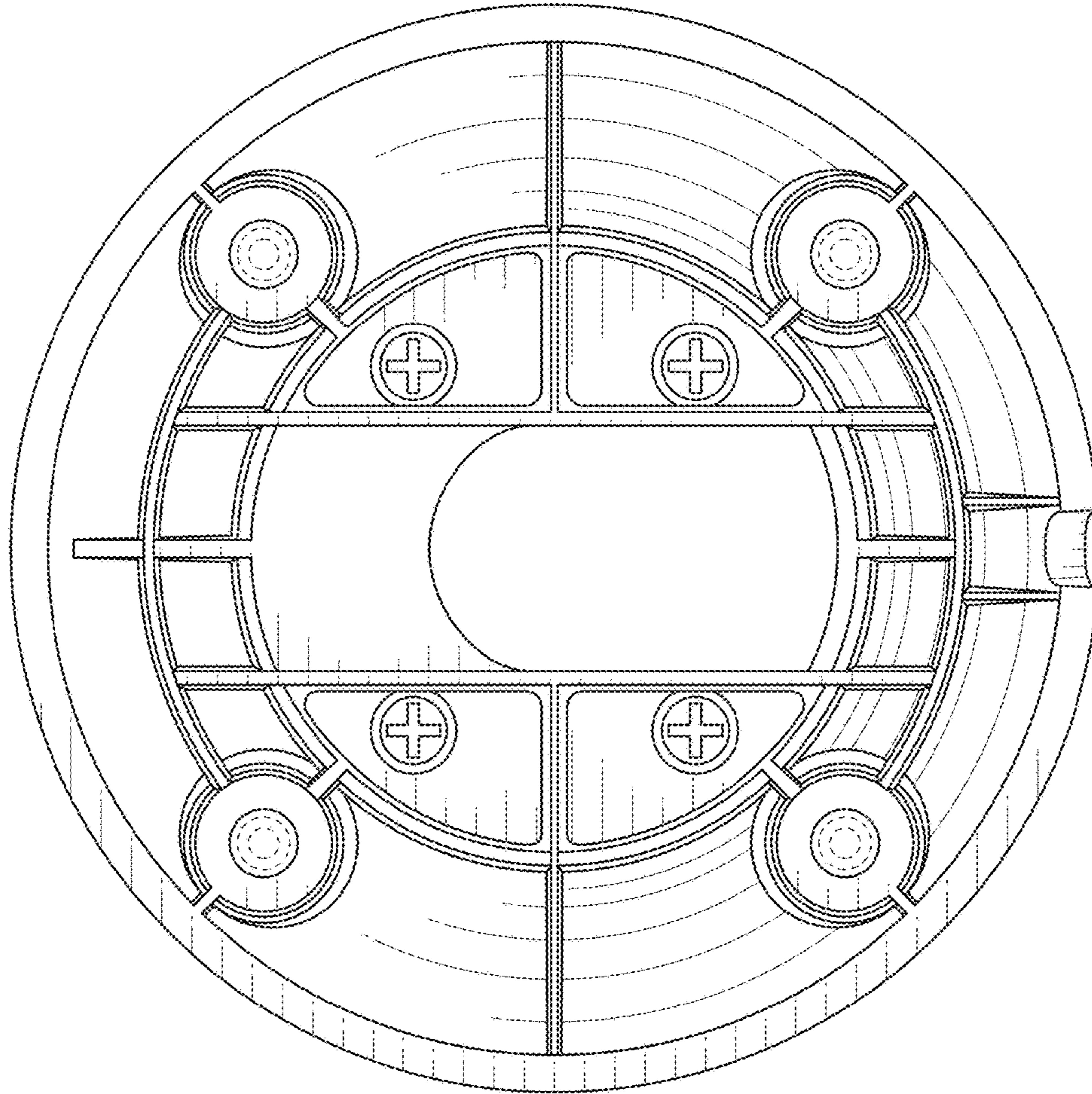


FIG. 3

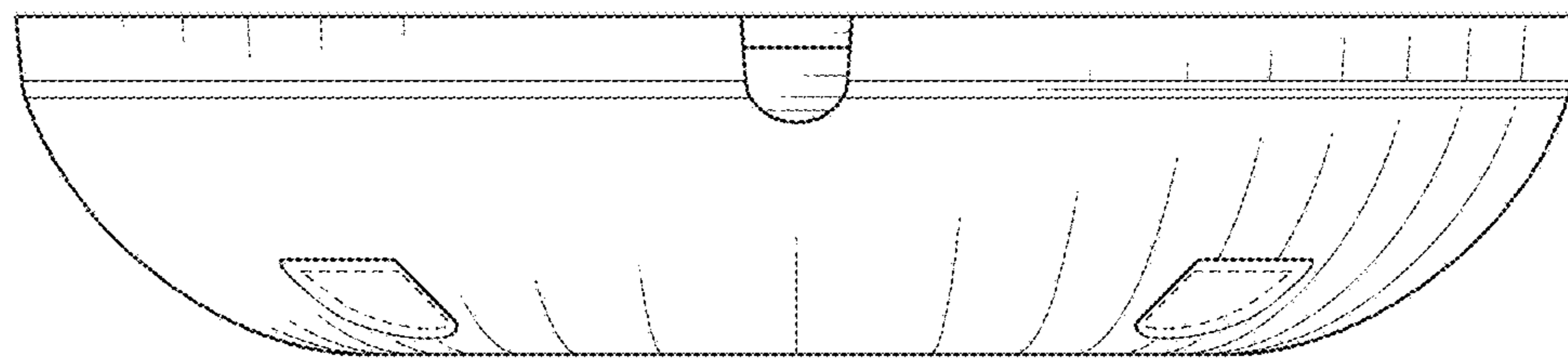


FIG. 4

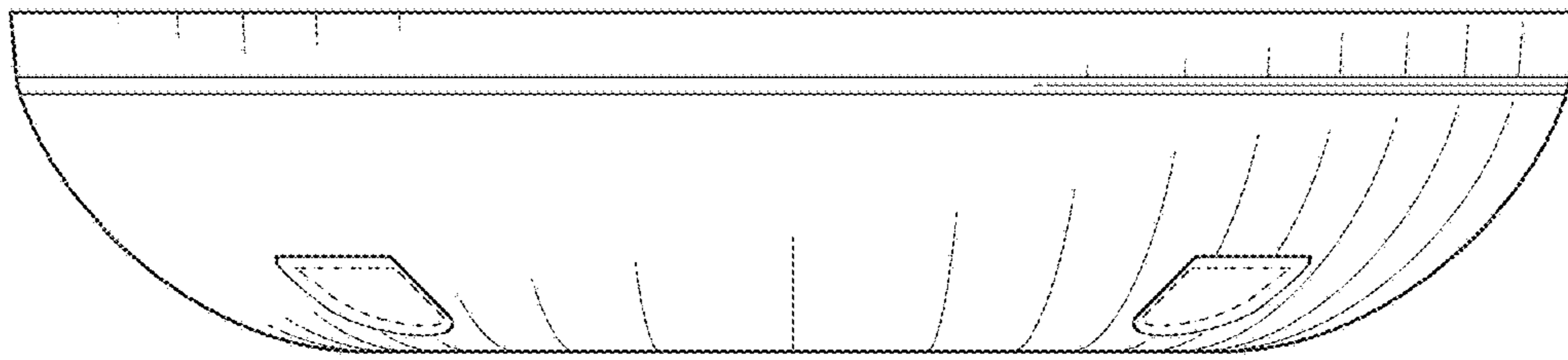


FIG. 5

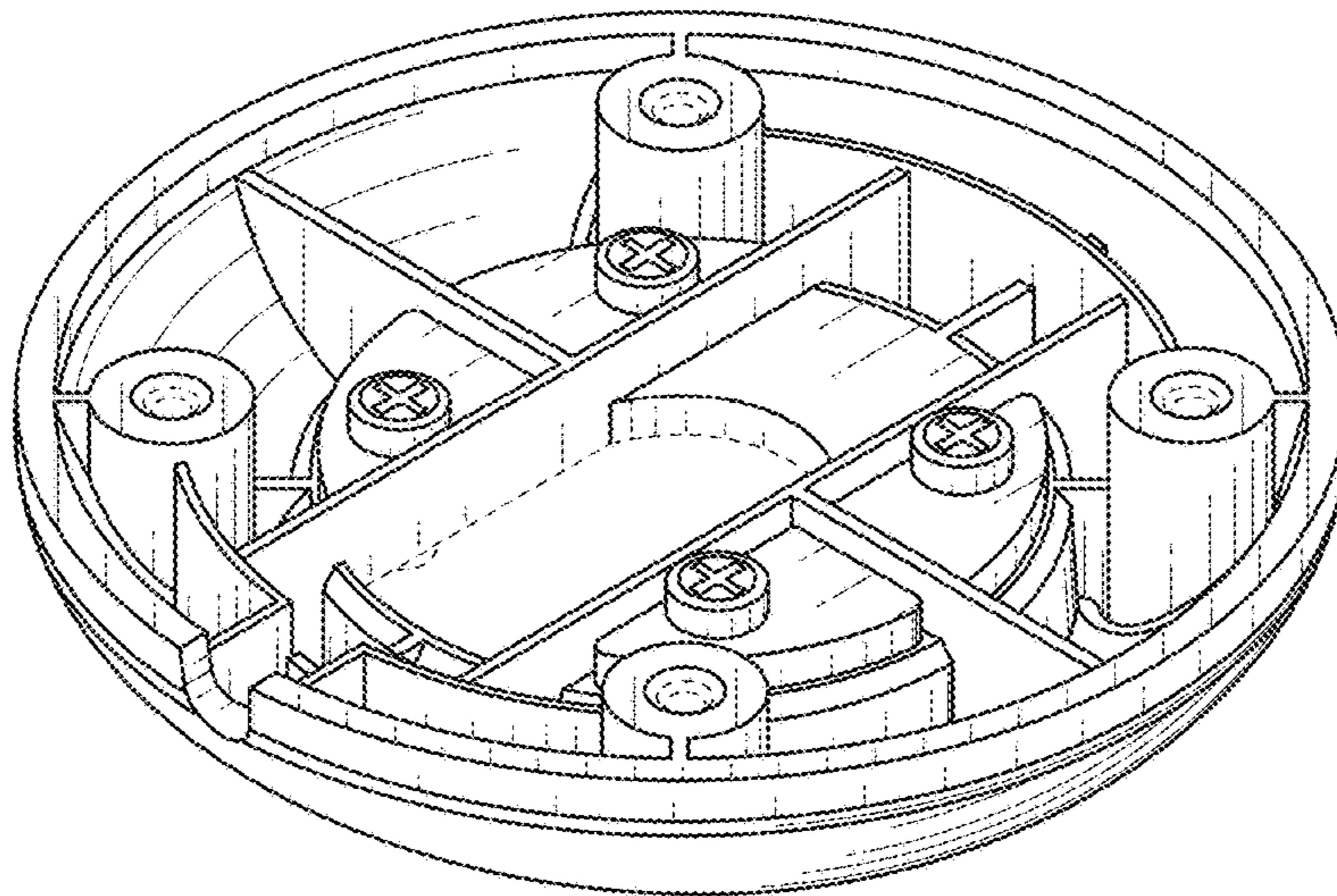


FIG. 6