



US00D846551S

(12) **United States Design Patent**  
**Feng**

(10) **Patent No.:** **US D846,551 S**  
(45) **Date of Patent:** **\*\* Apr. 23, 2019**

(54) **ELECTRONIC PRODUCT PROTECTIVE CASE**

(71) Applicant: **GUANGZHOU WENYI COMMUNICATION EQUIPMENT CO., LTD.**, Guangzhou (Guangdong Province) (CN)

(72) Inventor: **Youru Feng**, Guangzhou (CN)

(73) Assignee: **GUANGZHOU WENYI COMMUNICATION EQUIPMENT CO., LTD.**, Guangzhou (CN)

(\*\*) Term: **15 Years**

(21) Appl. No.: **29/619,053**

(22) Filed: **Sep. 26, 2017**

(51) **LOC (11) Cl.** ..... **14-02**

(52) **U.S. Cl.**  
USPC ..... **D14/440**

(58) **Field of Classification Search**  
USPC ..... D14/440; D8/440; 261/45.23, 320, 45.2;  
361/679.55; 29/25; D3/218  
CPC ..... G06F 1/628; G06F 1/626; H04B 1/3555;  
H05K 5/0217  
See application file for complete search history.

(56) **References Cited**

**U.S. PATENT DOCUMENTS**

D466,107 S \* 11/2002 Lunn ..... D14/217  
D630,432 S \* 1/2011 Tennyson ..... D3/232  
D667,831 S \* 9/2012 Stravitz ..... D14/447

(Continued)

*Primary Examiner* — Cynthia R Underwood

(74) *Attorney, Agent, or Firm* — Yong Chen

(57) **CLAIM**

The ornamental design for an electronic product protective case, as shown and described.

**DESCRIPTION**

FIG. 1 is a front view of an electronic product protective case of the present invention when the case is in a closed configuration.

FIG. 2 is a back view of the electronic product protective case shown in FIG. 1.

FIG. 3 is a left view of the electronic product protective case shown in FIG. 1.

FIG. 4 is a right view of the electronic product protective case shown in FIG. 1.

FIG. 5 is a top view of the electronic product protective case shown in FIG. 1.

FIG. 6 is a bottom view of the electronic product protective case shown in FIG. 1.

FIG. 7 is a view of the interior of the electronic product protective case of the present invention when the case is in an open, fully expanded configuration.

FIG. 8 is a perspective view of the electronic product protective case of the present invention when the case is in a deployed, self-standing configuration for supporting an electronic product to be viewed at a tilted angle.

FIG. 9 is another perspective view of the electronic product protective case of the present invention as shown in FIG. 8.

FIG. 10 is a front view of the electronic product protective case as shown in FIG. 8.

FIG. 11 is a back view of the electronic product protective case as shown in FIG. 8.

FIG. 12 is a left view of the electronic product protective case as shown in FIG. 8.

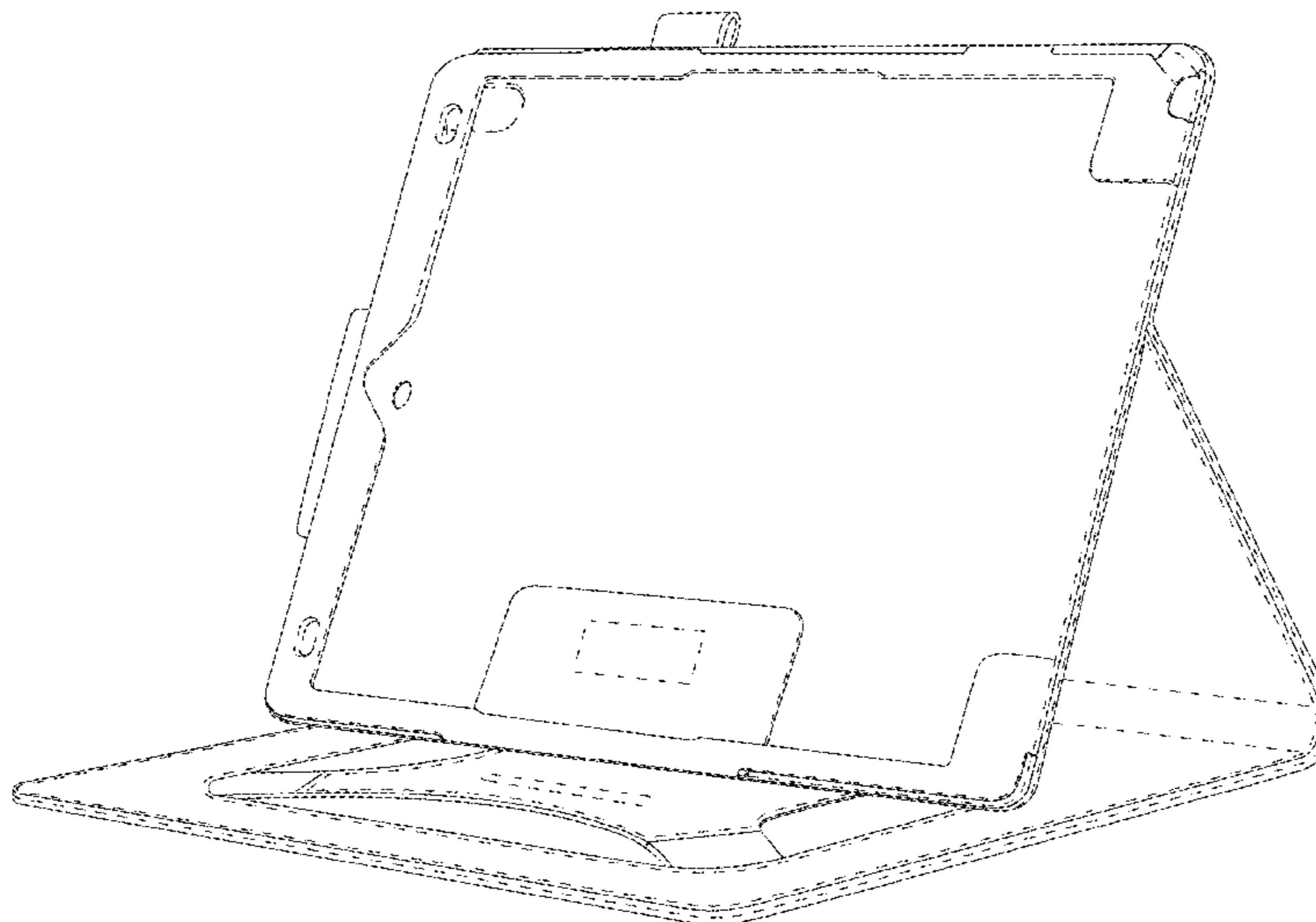
FIG. 13 is a right view of the electronic product protective case as shown in FIG. 8.

FIG. 14 is a top view of the electronic product protective case as shown in FIG. 8; and,

FIG. 15 is a bottom view of the electronic product protective case as shown in FIG. 8.

The broken lines represent portions of the structure of the electronic product protective case that form no part of the claimed design.

**1 Claim, 13 Drawing Sheets**



(56)

References Cited

U.S. PATENT DOCUMENTS

8,281,924 B2 *	10/2012	Westrup	A45C 3/02 206/320	2007/0057140 A1 *	3/2007	Liou	F16M 11/10 248/456
D688,915 S *	9/2013	Green	D3/215	2008/0029412 A1 *	2/2008	Ho	A47B 21/0314 206/320
D696,256 S *	12/2013	Piedra	D14/440	2008/0167095 A1 *	7/2008	Kim	H04M 1/0216 455/575.3
D696,669 S *	12/2013	Akana	D14/440	2009/0159763 A1 *	6/2009	Kim	F16M 13/00 248/174
D700,611 S *	3/2014	Boldetti	D14/440	2009/0178938 A1 *	7/2009	Palmer	A45C 5/03 206/45.23
8,720,752 B2 *	5/2014	Huang, Jr.	B25G 3/36 224/218	2009/0194209 A1 *	8/2009	De Filippis	A45C 11/00 150/107
D719,169 S *	12/2014	McBroom	D14/440	2009/0201254 A1 *	8/2009	Rais	G06F 1/1613 345/168
8,905,231 B2 *	12/2014	Couch, III	A45C 11/00 206/320	2010/0294909 A1 *	11/2010	Hauser	A47B 23/043 248/456
8,960,421 B1 *	2/2015	Diebel	G06F 1/1679 206/320	2010/0300909 A1 *	12/2010	Hung	H04M 1/04 206/320
D723,568 S *	3/2015	Kim	D14/440	2011/0227463 A1 *	9/2011	Hou	A45C 9/00 312/223.1
D724,090 S *	3/2015	Kim	D14/440	2011/0266194 A1 *	11/2011	Bau	A45C 11/00 206/736
D724,092 S *	3/2015	Zangari	D14/440	2011/0290687 A1 *	12/2011	Han	A45C 3/02 206/320
D727,916 S *	4/2015	Melmon	D14/440	2011/0297566 A1 *	12/2011	Gallagher	F16M 11/105 206/320
D727,919 S *	4/2015	Melmon	D14/440	2012/0140396 A1 *	6/2012	Zeliff	G06F 1/1628 361/679.09
D729,253 S *	5/2015	Nyholm	D14/440	2013/0140194 A1 *	6/2013	Han	G06F 1/1656 206/45.23
D733,152 S *	6/2015	Sirichai	D14/440	2013/0233762 A1 *	9/2013	Balaji	B65D 25/00 206/736
D734,340 S *	7/2015	Kim	D14/440	2013/0264459 A1 *	10/2013	McCosh	G06F 1/1626 248/688
9,095,194 B2 *	8/2015	Hassett	A45C 11/00	2014/0291175 A1 *	10/2014	Chung	G06F 1/1656 206/45.23
D744,489 S *	12/2015	Sirichai	D14/440	2015/0296060 A1 *	10/2015	Gu	H04M 1/0235 455/575.4
D744,492 S *	12/2015	Lin	G06F 1/1632 D14/440	2015/0296068 A1 *	10/2015	Chin	G06F 1/1628 455/575.8
D753,648 S *	4/2016	Shyu	D14/315	2016/0011628 A1 *	1/2016	Sato	G06F 1/1656 361/679.3
D754,666 S *	4/2016	Tiffen	D14/440	2016/0120280 A1 *	5/2016	Dingier	A45C 3/02 224/608
9,307,062 B2 *	4/2016	Kim	H04M 1/04	2016/0187937 A1 *	6/2016	Ahee	G06F 1/1681 361/679.09
9,314,078 B1 *	4/2016	Haymond	A45C 11/00				
D764,472 S *	8/2016	Corcoran	D14/440				
D772,880 S *	11/2016	Corcoran	D14/440				
9,489,054 B1 *	11/2016	Sumsion	G06F 3/0208				
D773,470 S *	12/2016	Akana	D14/440				
D779,485 S *	2/2017	Akana	D14/345				
9,578,941 B2 *	2/2017	MacLachlan	F16M 11/38				
D789,342 S *	6/2017	Sirichai	D14/250				
D792,887 S *	7/2017	Zhang	D14/440				
9,717,314 B2 *	8/2017	Idehara	A45C 11/00				
D807,363 S *	1/2018	Hallier	D14/440				
D807,365 S *	1/2018	Liu	D14/440				
D807,892 S *	1/2018	Wang	D14/440				
D808,394 S *	1/2018	Lakraa	D14/440				
D808,395 S *	1/2018	Fenton	D14/440				
D811,390 S *	2/2018	Kim	D14/345				
D811,411 S *	2/2018	Moore	D14/440				
D818,263 S *	5/2018	Broadhurst	D3/218				
D819,038 S *	5/2018	Diebel	D14/440				
D820,839 S *	6/2018	Akana	D14/345				
D822,675 S *	7/2018	Zhu	D14/455				
D832,270 S *	10/2018	Cheng	D14/440				
D832,271 S *	10/2018	Cheng	D14/440				
D835,088 S *	12/2018	Zhuang	D14/250				
D835,624 S *	12/2018	Li	D14/440				

\* cited by examiner

FIG. 1

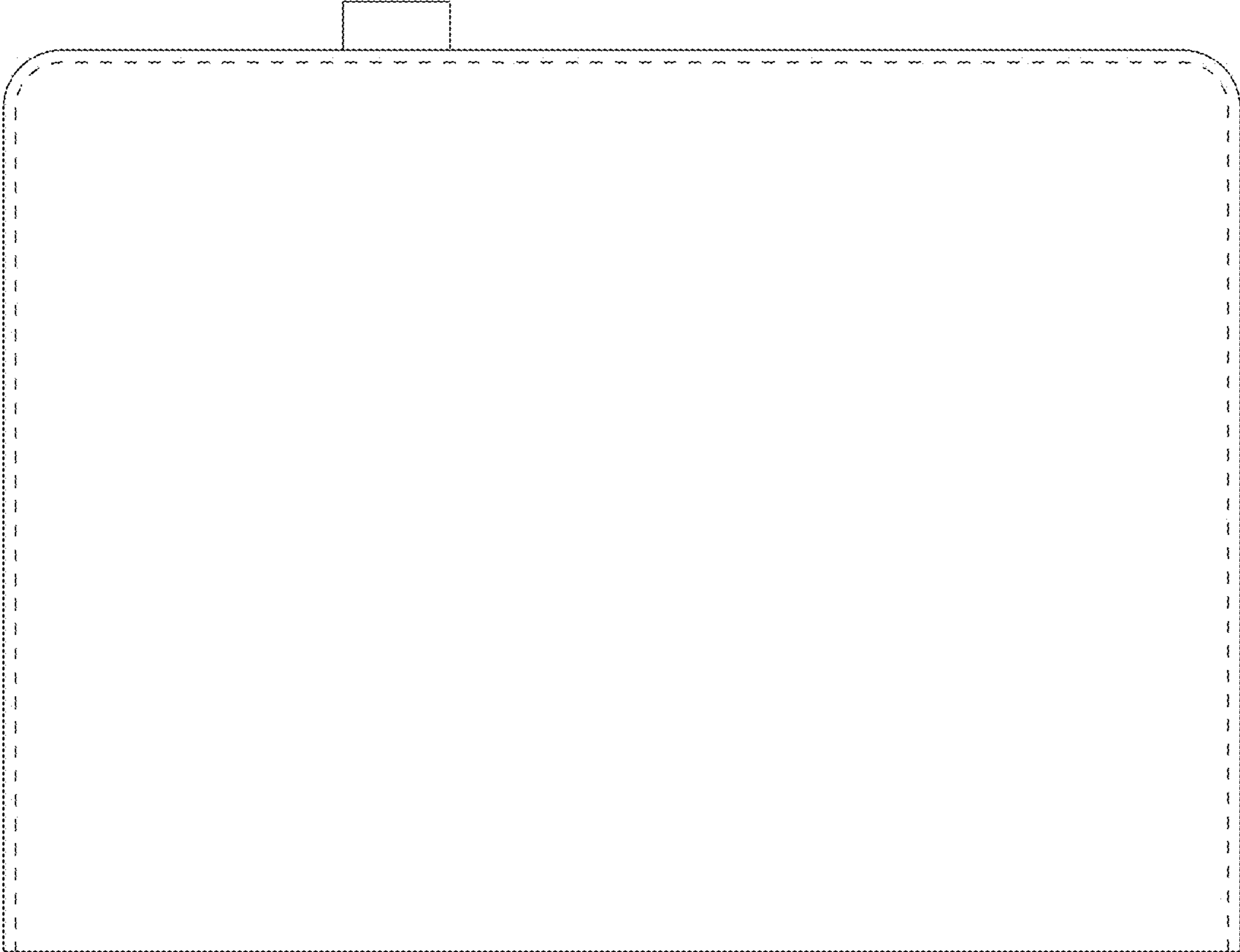
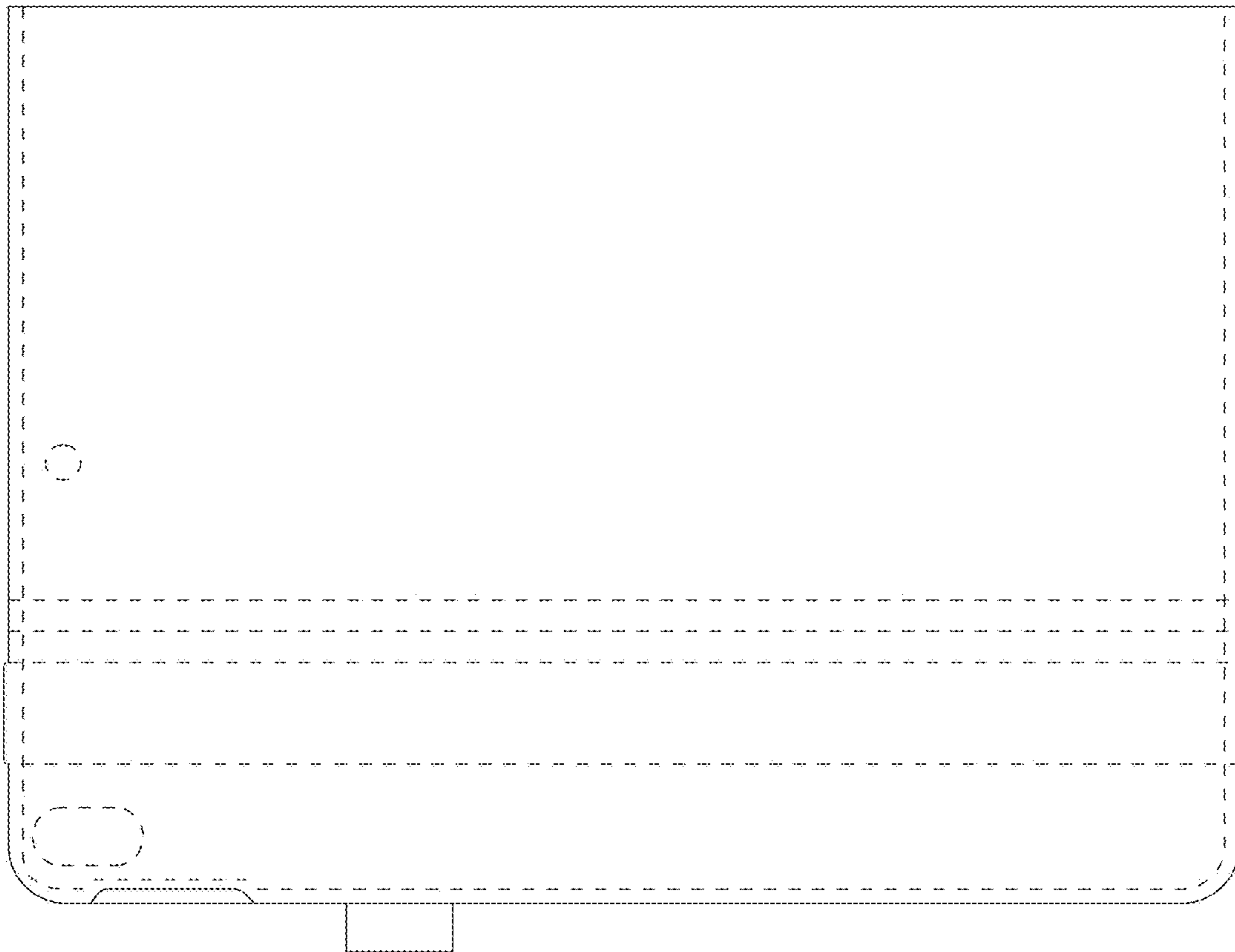


FIG. 2



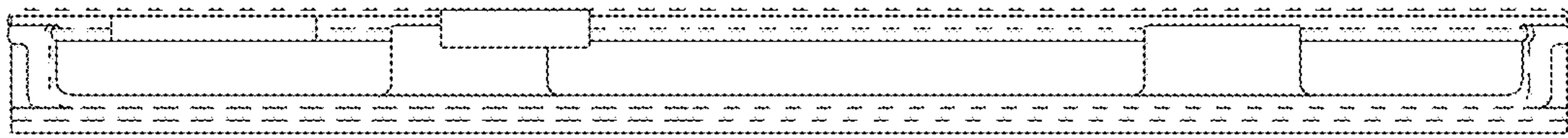


FIG. 4



FIG. 3

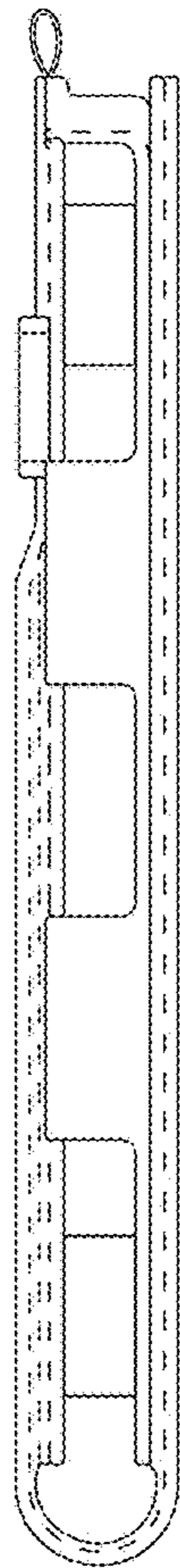


FIG. 5

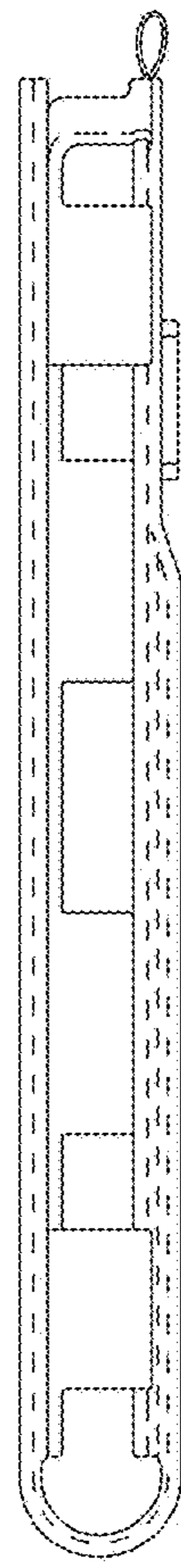


FIG. 6

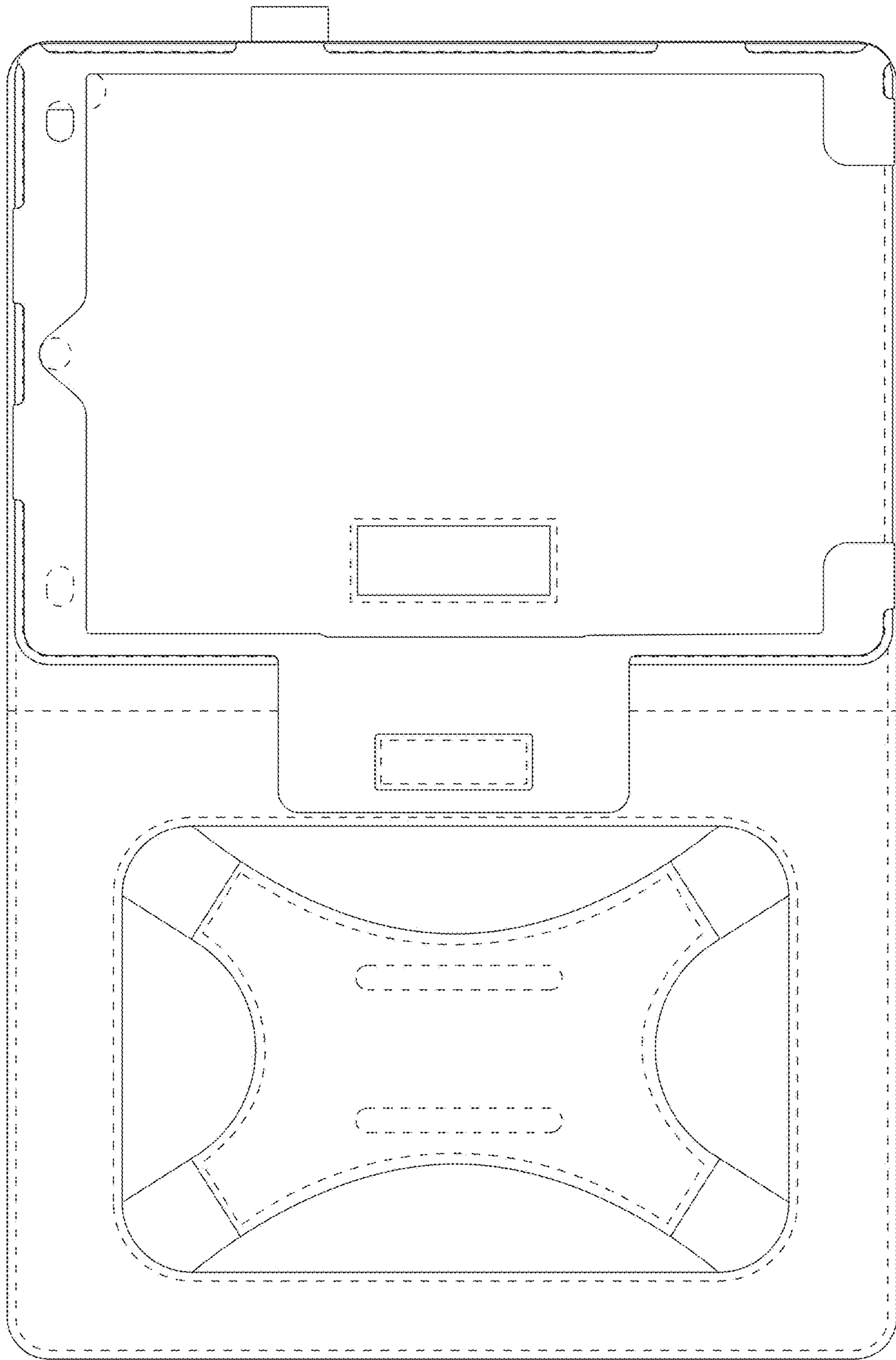


FIG. 7

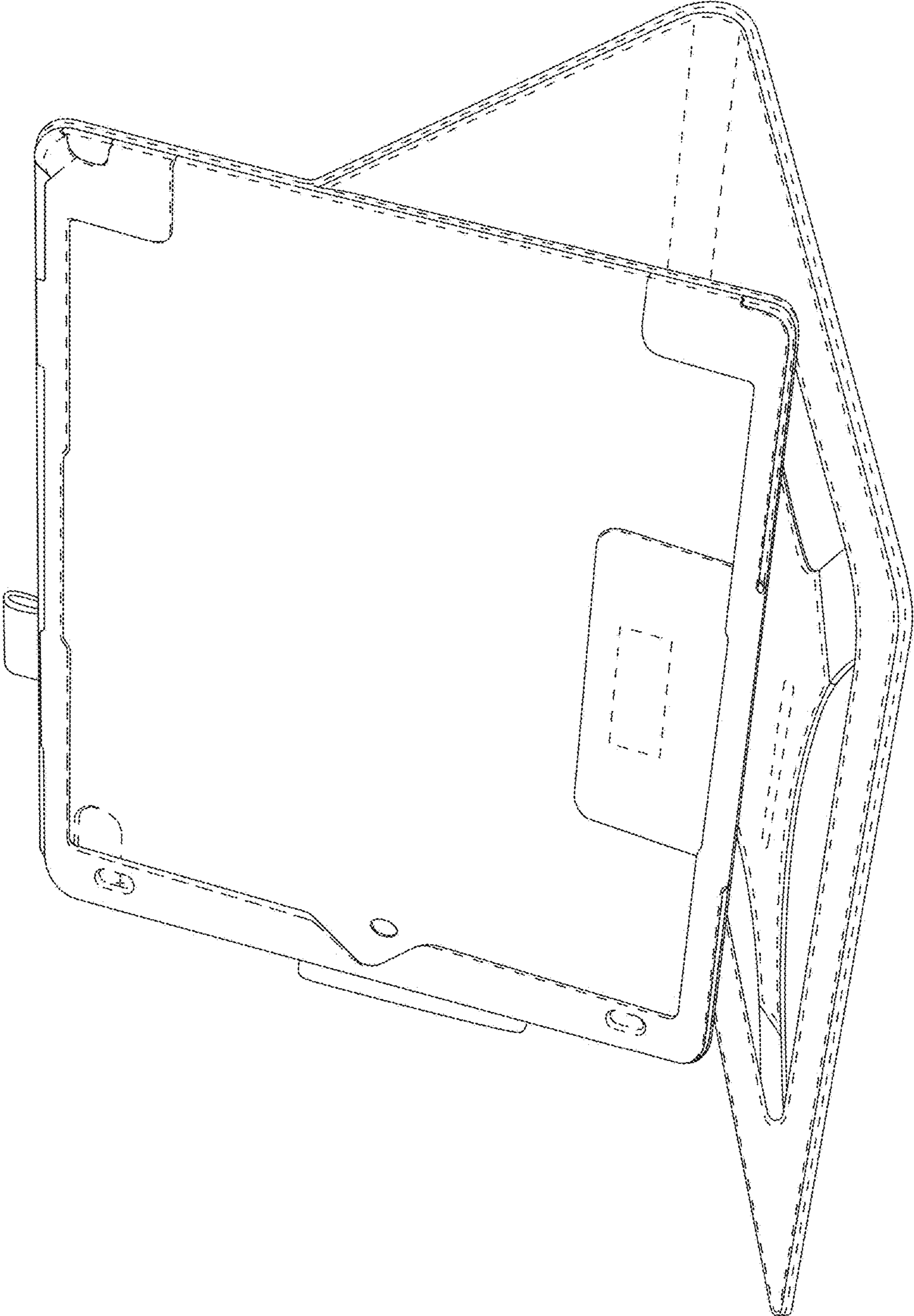


FIG. 8



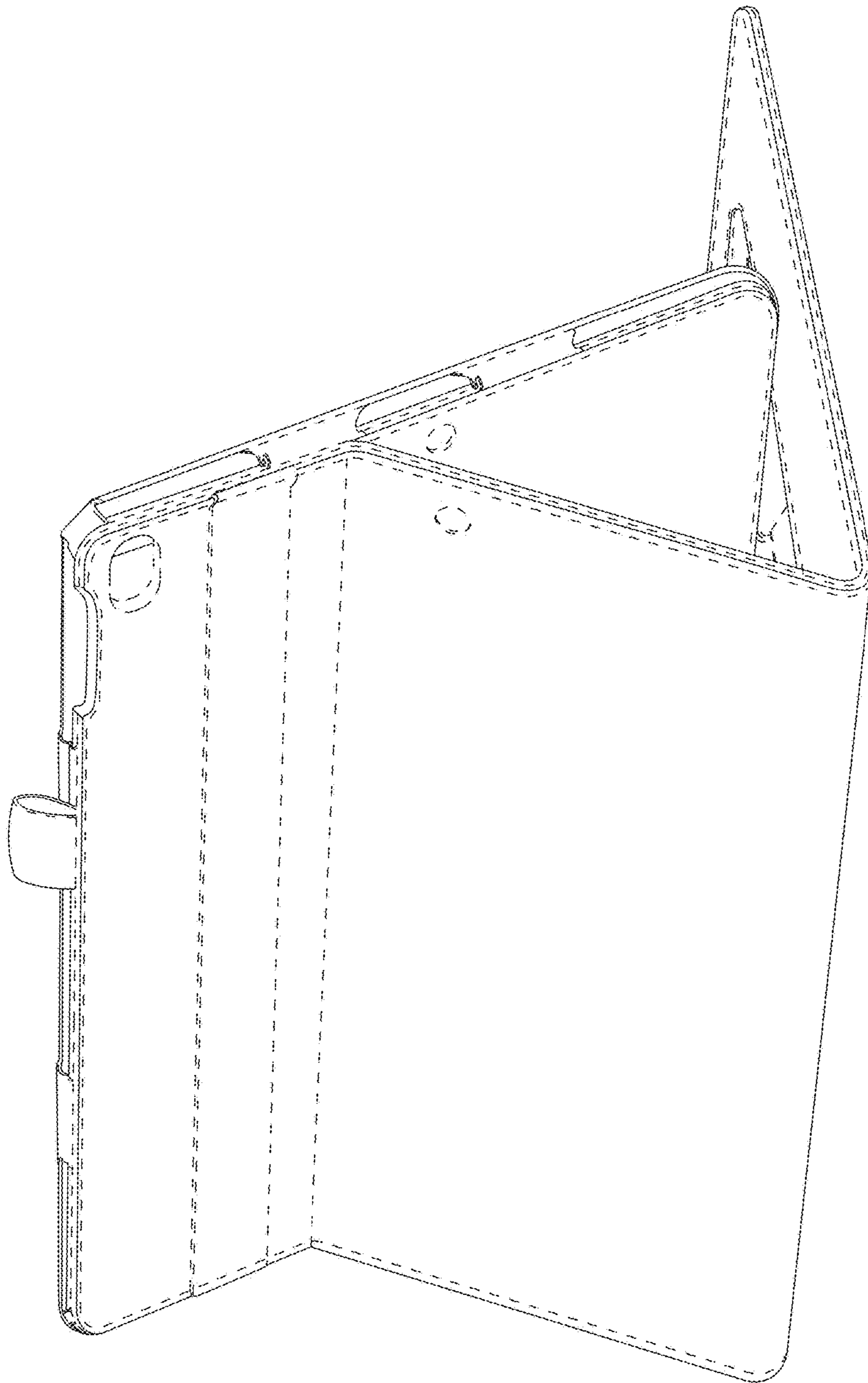


FIG. 9

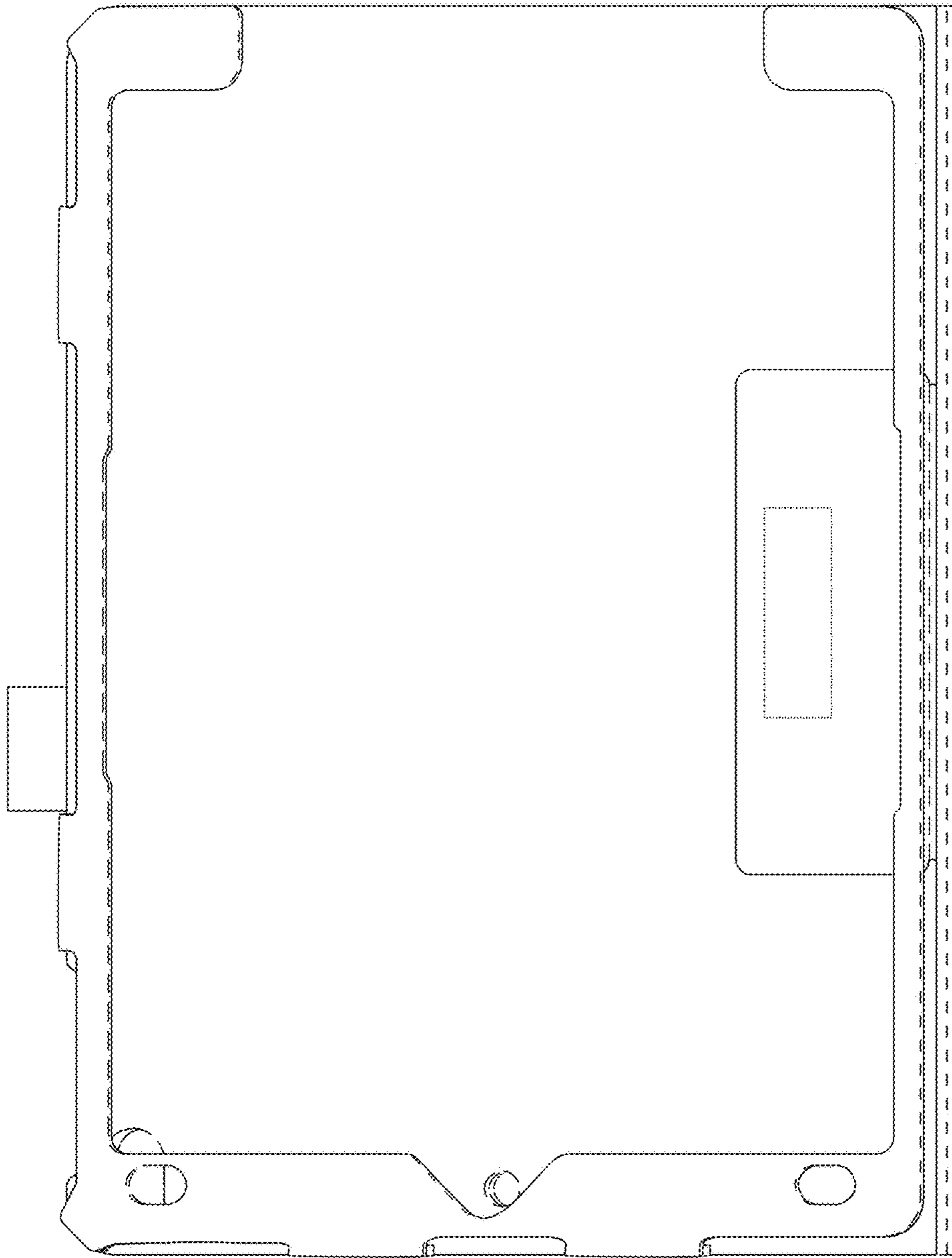


FIG. 10

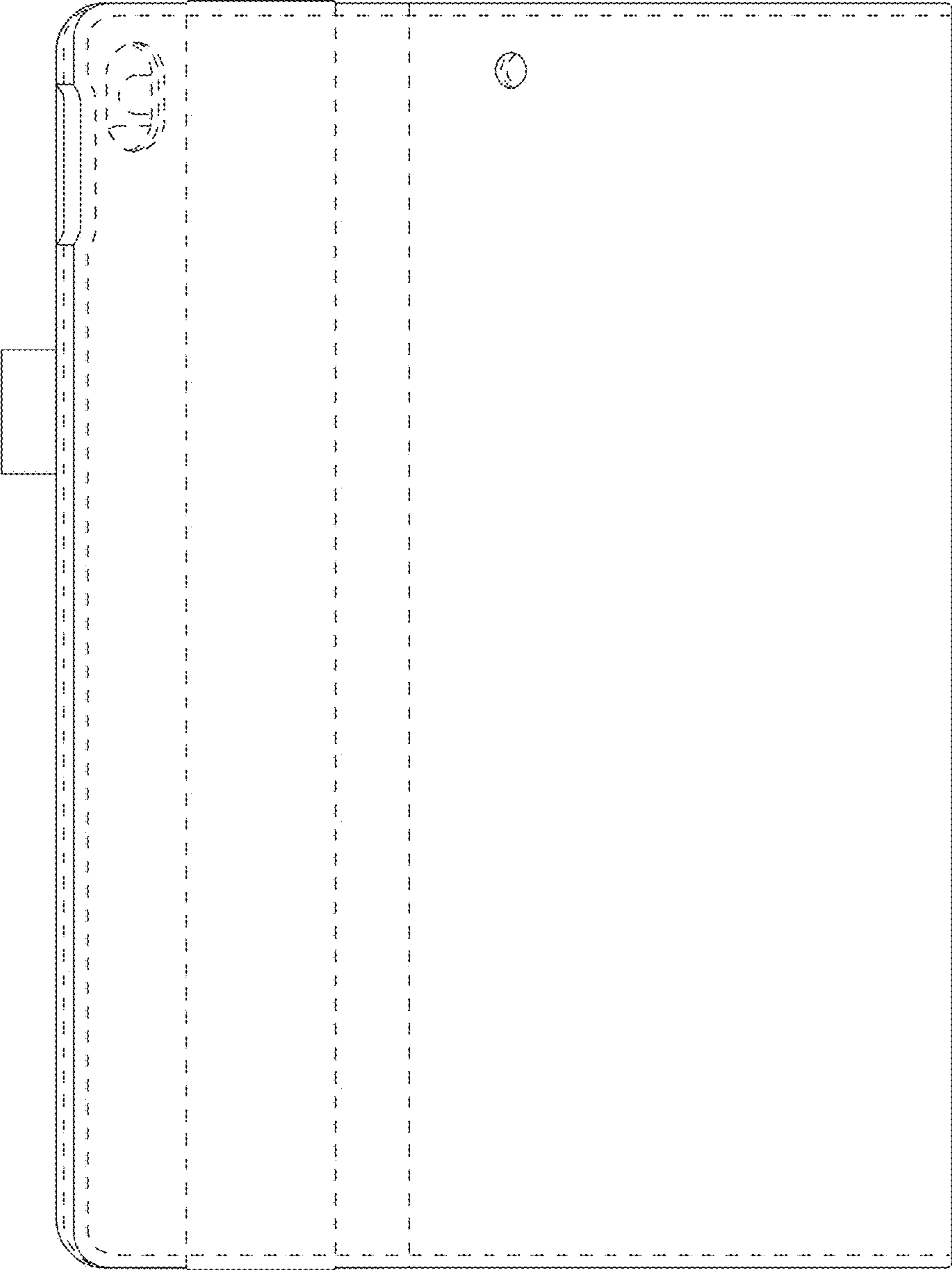


FIG. 11

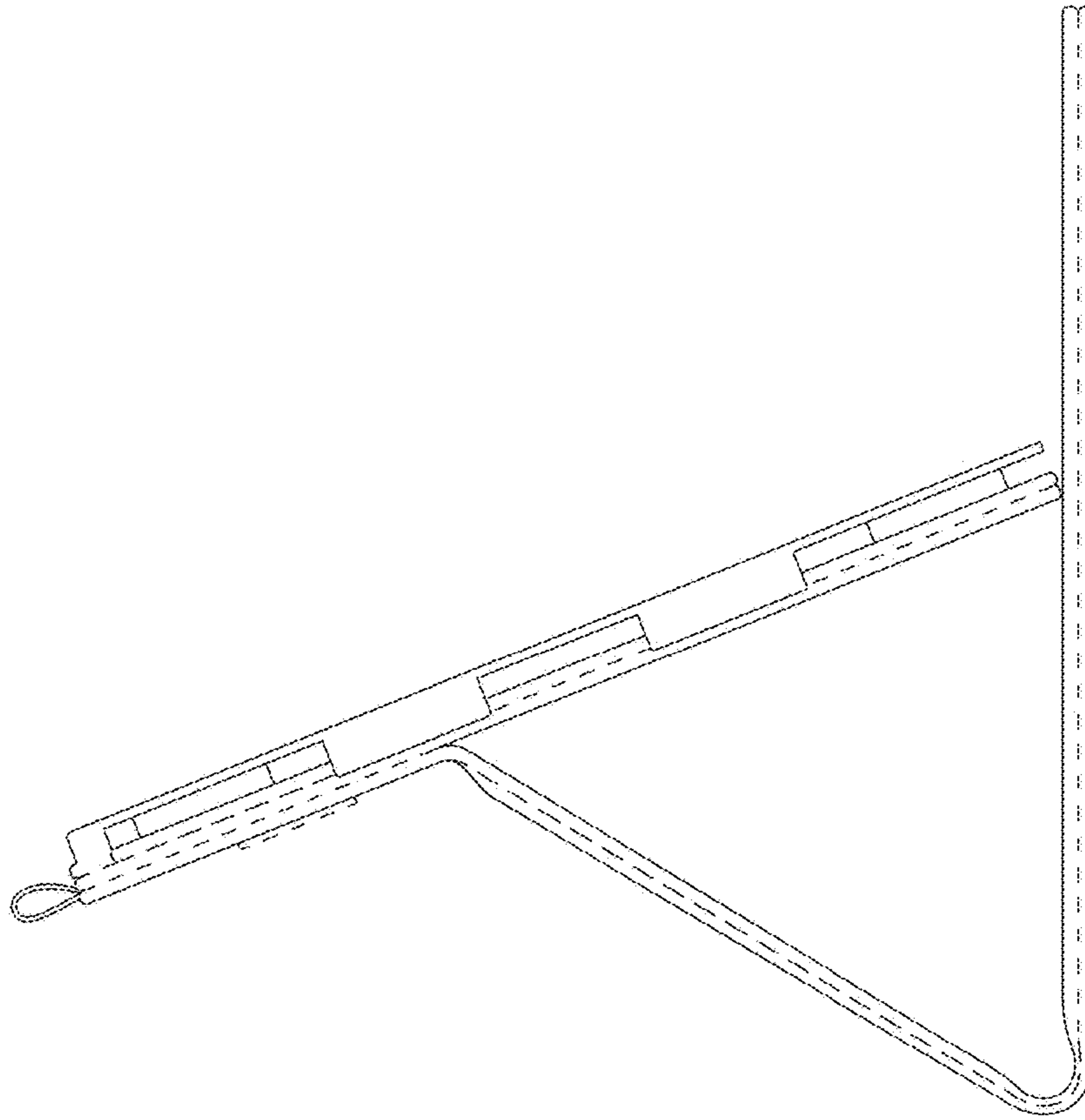


FIG. 12

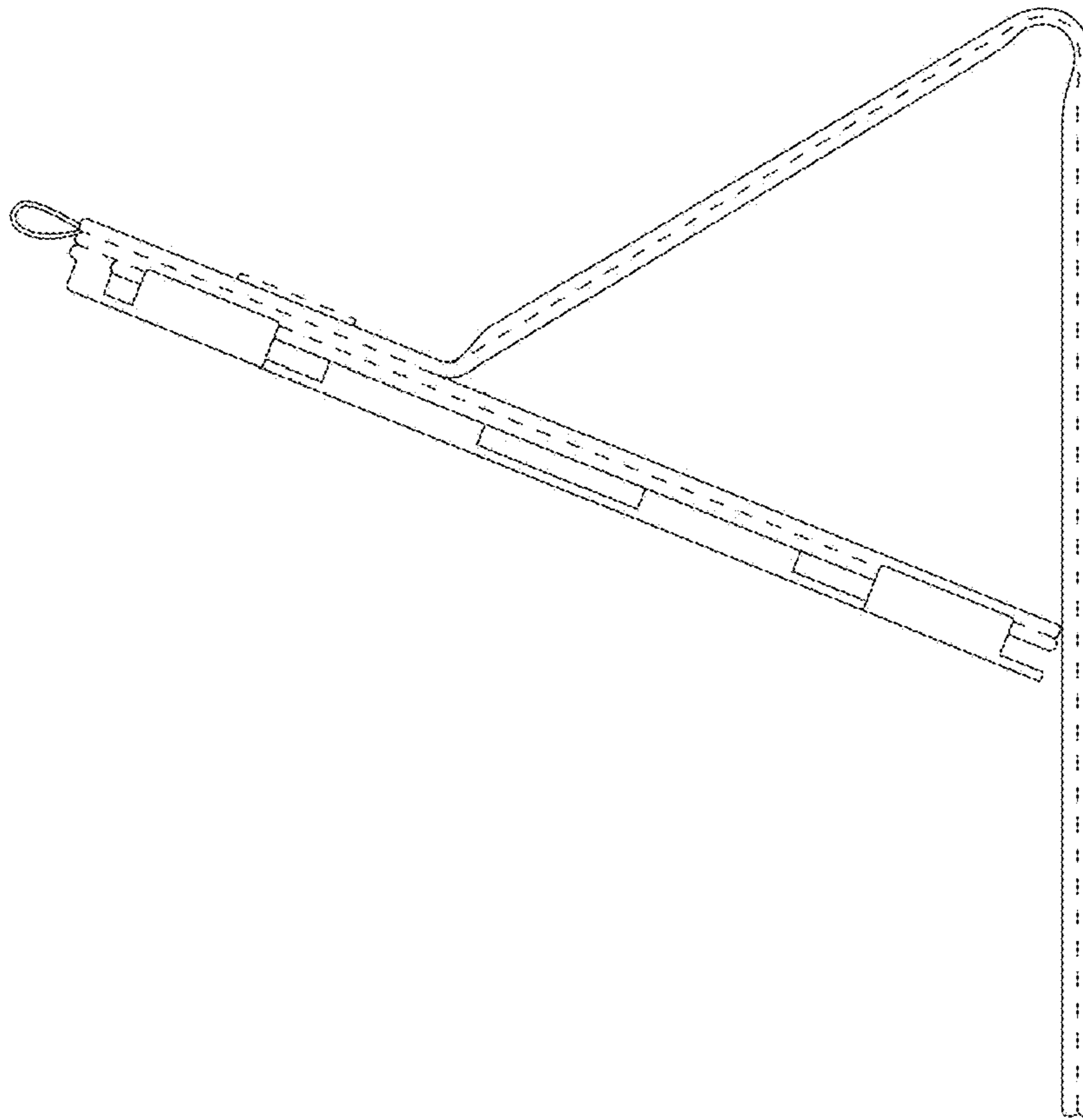


FIG. 13

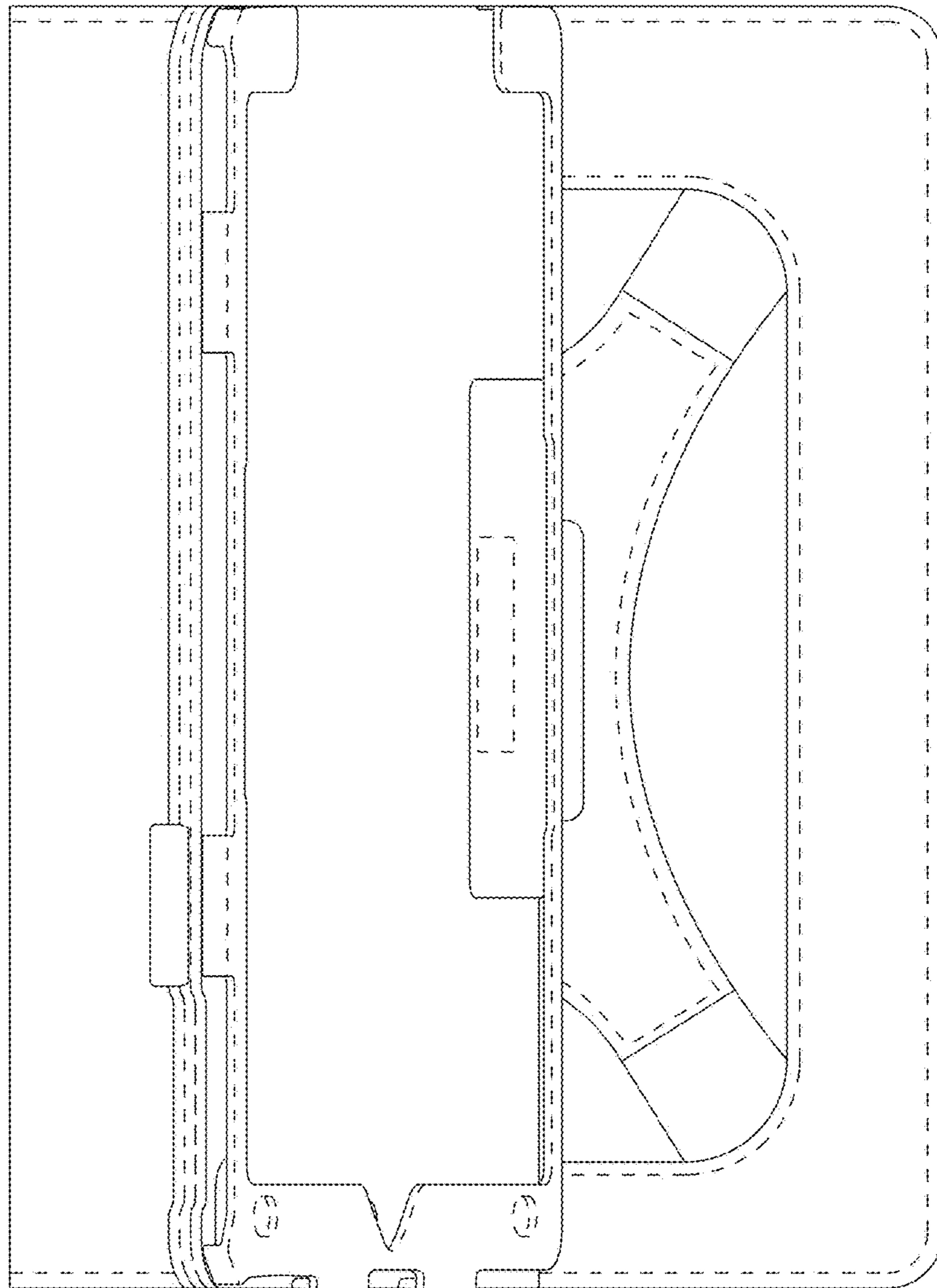
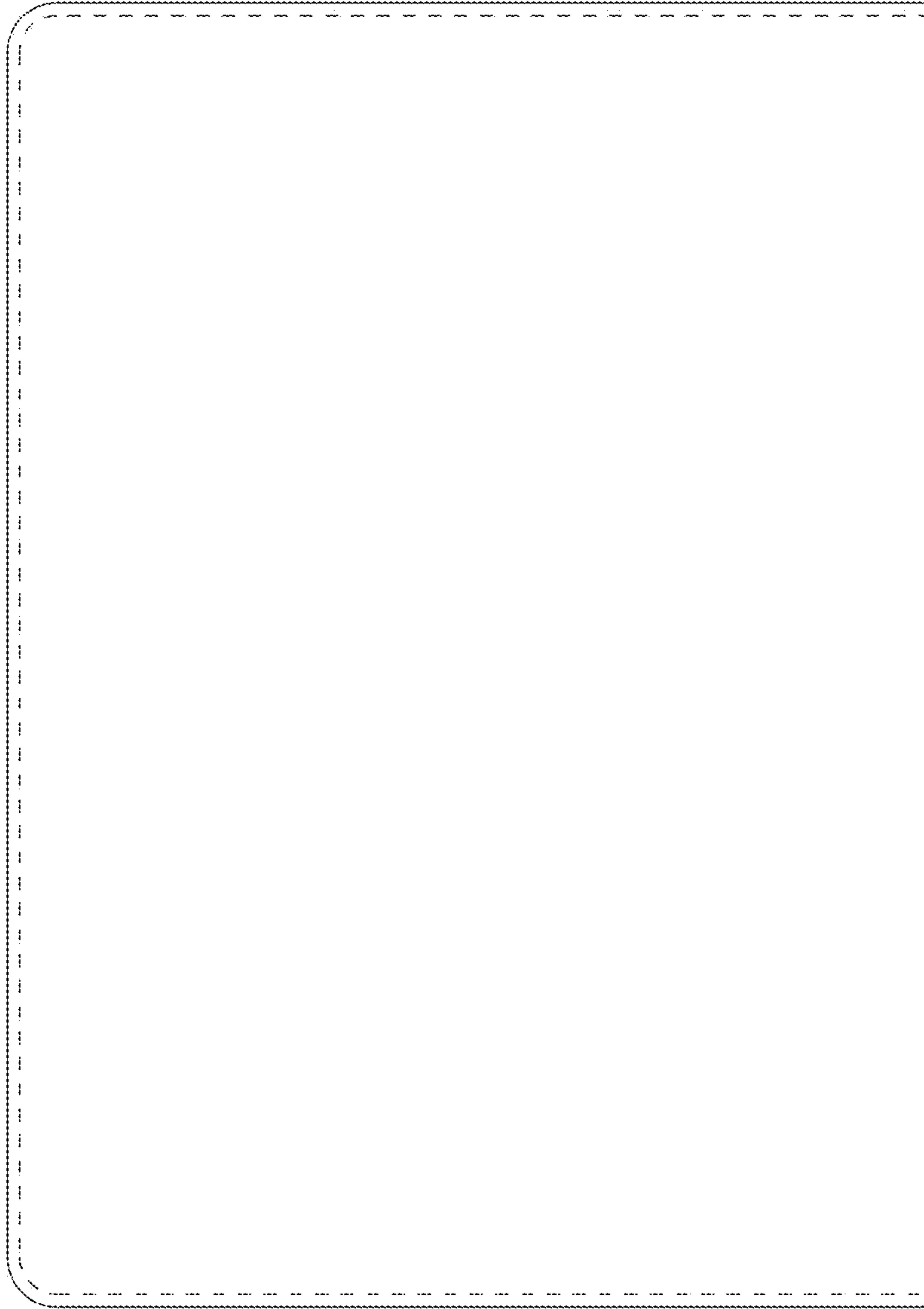


FIG. 14



**FIG. 15**