



US00D846549S

(12) **United States Design Patent** (10) **Patent No.:** **US D846,549 S**
Bae et al. (45) **Date of Patent:** **** Apr. 23, 2019**

(54) **DOCKING STATION FOR ELECTRONIC DEVICE**

(71) Applicant: **SAMSUNG ELECTRONICS CO., LTD.**, Suwon-si, Gyeonggi-do (KR)
(72) Inventors: **Hyemin Bae**, Seoul (KR); **Sanhui Oh**, Seoul (KR); **Yongseok Bang**, Yongin-si (KR)
(73) Assignee: **SAMSUNG ELECTRONICS CO., LTD.**, Gyeonggi-Do (KR)

(**) Term: **15 Years**
(21) Appl. No.: **29/642,425**
(22) Filed: **Mar. 29, 2018**

(30) **Foreign Application Priority Data**

Jan. 31, 2018 (KR) 30-2018-0005363

(51) **LOC (11) Cl.** **14-02**

(52) **U.S. Cl.**
USPC **D14/434; D14/253**

(58) **Field of Classification Search**
USPC D14/434, 432, 433, 440, 447, 251-253, D14/451, 452, 454, 140, 142, 149, 217, D14/240, 299, 496, 356, 357, 358, 209.1, D14/171; D13/103, 107, 108, 118, 119, D13/110, 123, 184; D21/333; D6/512, D6/672, 682, 682.5
CPC G06F 1/1616; G06F 1/1626; G06F 1/1632; G06F 1/1688; G06F 13/00; H01M 10/44; F16M 11/10; F16M 11/20; H02J 7/0042; H02J 7/00; H02J 7/0027; H02J 7/0044; H02J 7/0045; H02J 7/355; H02J 7/025; H01R 31/065; H04R 1/025; H04R 5/04

See application file for complete search history.

(56) **References Cited**

U.S. PATENT DOCUMENTS

D523,419 S *	6/2006	Joseph	D14/214
D546,839 S *	7/2007	Hynecek	D14/434
D577,334 S *	9/2008	Kim	D13/108
D583,315 S *	12/2008	Kujawski	D13/107
D606,065 S *	12/2009	Rihu	D14/253
D609,637 S *	2/2010	Chu	D13/108
D609,638 S *	2/2010	Biheller	D13/108
D611,408 S *	3/2010	Ferber	D13/108
D638,817 S *	5/2011	Fleming	D14/145
D638,818 S *	5/2011	Fleming	D14/145
D649,945 S *	12/2011	Kim	D14/125

(Continued)

Primary Examiner — Marie D. Fast Horse
(74) *Attorney, Agent, or Firm* — Cantor Colburn LLP

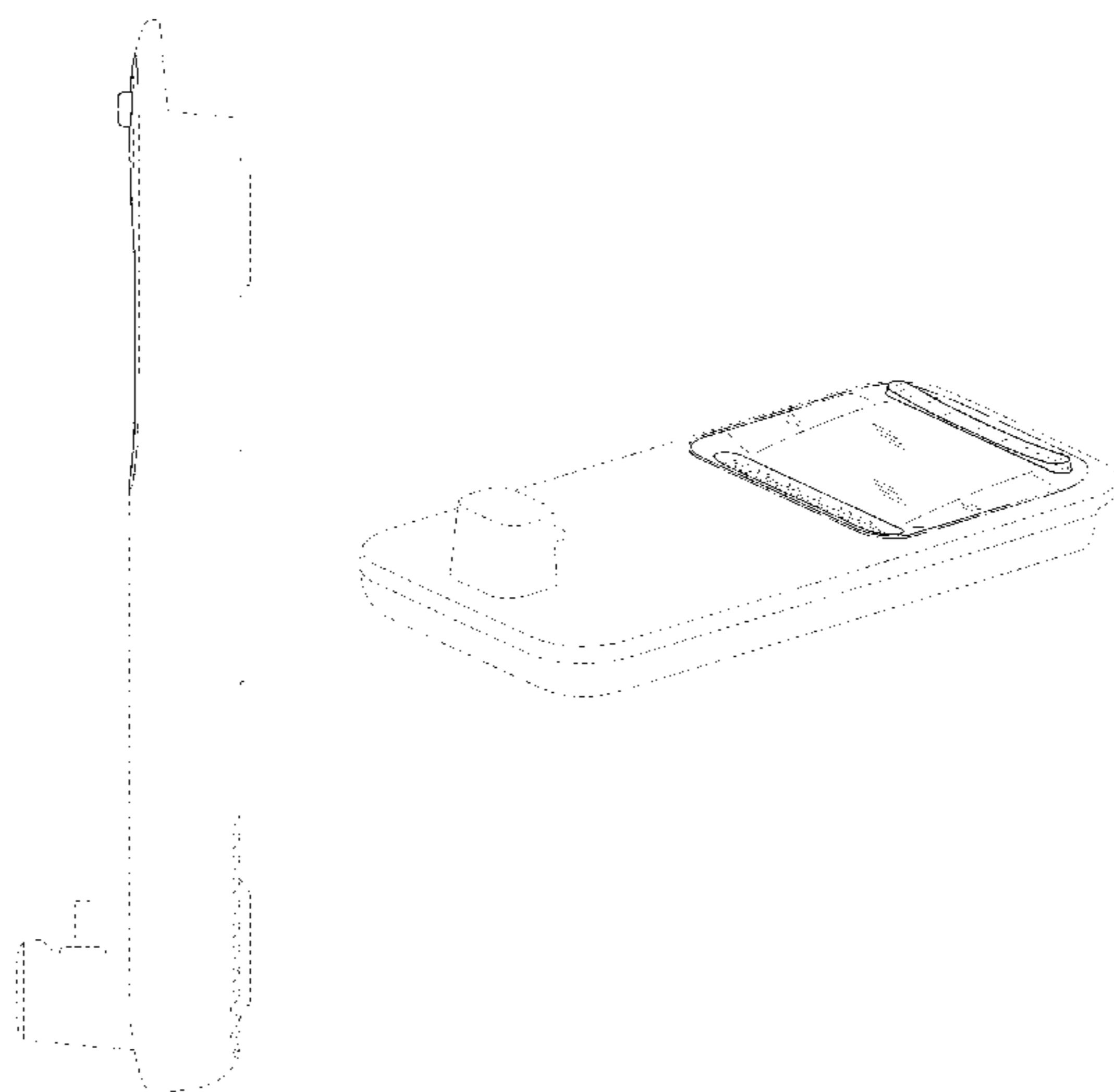
(57) **CLAIM**

The ornamental design for a docking station for electronic device, as shown and described.

DESCRIPTION

FIG. 1 is a front perspective view of a docking station for electronic device showing our new design;
FIG. 2 is a front view thereof;
FIG. 3 is a rear view thereof;
FIG. 4 is a left-side view thereof;
FIG. 5 is a right-side view thereof;
FIG. 6 is a top view thereof;
FIG. 7 is a bottom view thereof;
FIG. 8 is another front perspective view thereof; and,
FIG. 9 is a right-side view thereof in an environment of use. The broken lines in FIG. 9 consisting of the large dashes, showing the electronic device, depict environmental subject matter only and form no part of the claim. The dot-dash broken line in the drawings define the bounds of the claim, which extend to the boundary but does not include the boundary. All other broken lines depict portions of the docking station for electronic device that form no part of the claimed design.

1 Claim, 7 Drawing Sheets



(56)

References Cited

U.S. PATENT DOCUMENTS

D653,232 S * 1/2012 Jones D14/144
D659,690 S * 5/2012 Huang D14/138 G
D662,918 S * 7/2012 Ikeda D14/240
D662,919 S * 7/2012 Ikeda D14/240
D668,247 S * 10/2012 Kim D14/253
D671,935 S * 12/2012 Mao D14/253
D675,602 S * 2/2013 Ikeda D14/240
D687,817 S * 8/2013 Petersen D14/240
D689,496 S * 9/2013 Park D14/434
D692,438 S * 10/2013 Chang D14/447
D719,934 S * 12/2014 Xiao D14/251
D719,939 S * 12/2014 Liang D14/240
D725,781 S * 3/2015 Collins D24/169
D729,239 S * 5/2015 Fukuoka D14/348
D745,010 S * 12/2015 Kim D14/433
D749,507 S * 2/2016 Choi D13/108
D750,020 S * 2/2016 Song D13/108
D750,764 S * 3/2016 DeSocio D23/304
D751,071 S * 3/2016 Kurata D14/365
D755,184 S * 5/2016 Uranga D14/433
D762,171 S * 7/2016 Jung D13/108
D785,564 S * 5/2017 Lee D13/108
D793,958 S * 8/2017 Rautiainen D13/108
RE46,597 E * 11/2017 Collins D24/169
D813,806 S * 3/2018 Ito D13/108
D819,595 S * 6/2018 Tan D14/209.1
D830,370 S * 10/2018 McKenna D14/451
2018/0074550 A1 * 3/2018 Sorias G06F 1/1632

* cited by examiner

FIG.1

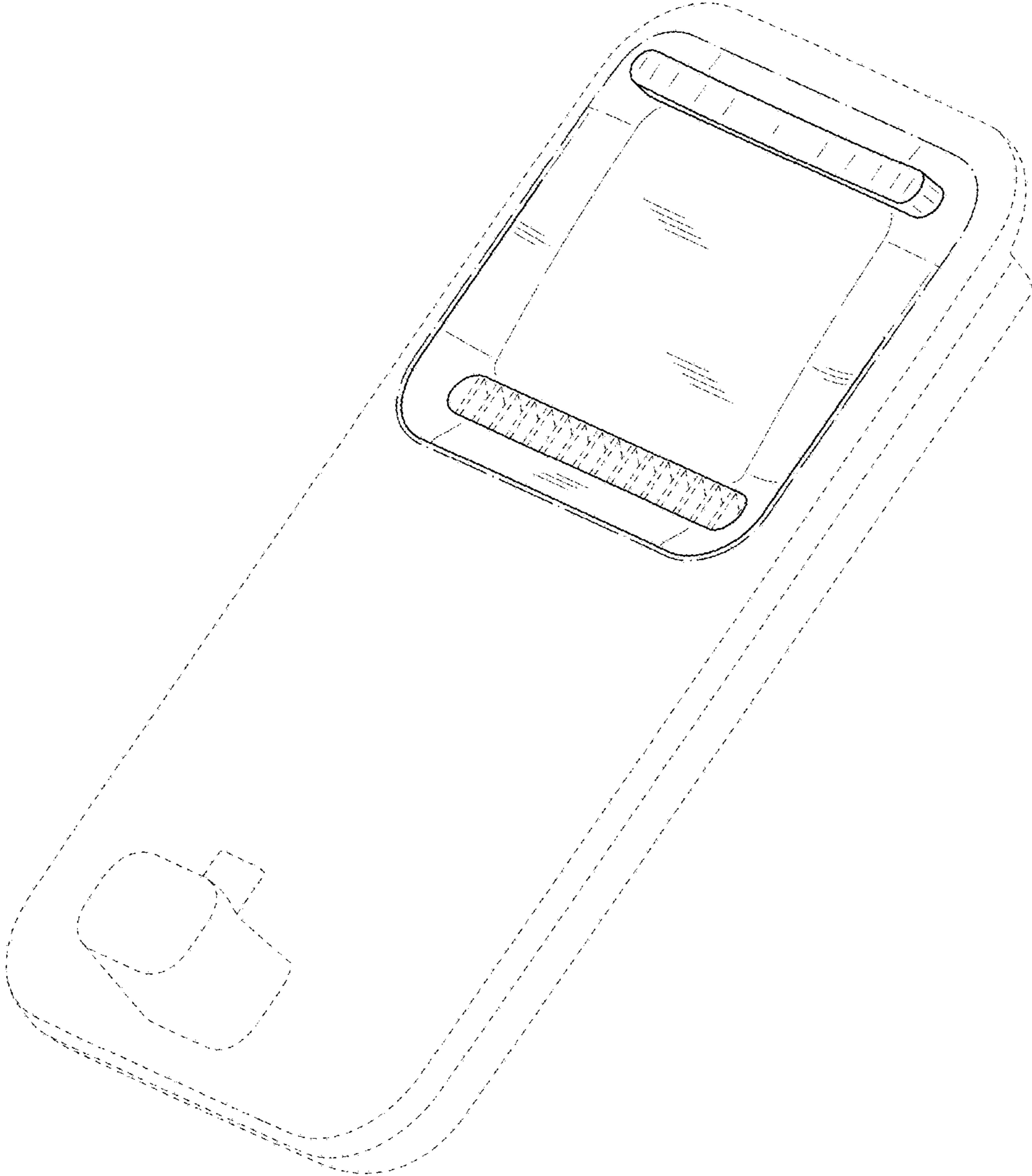


FIG.2

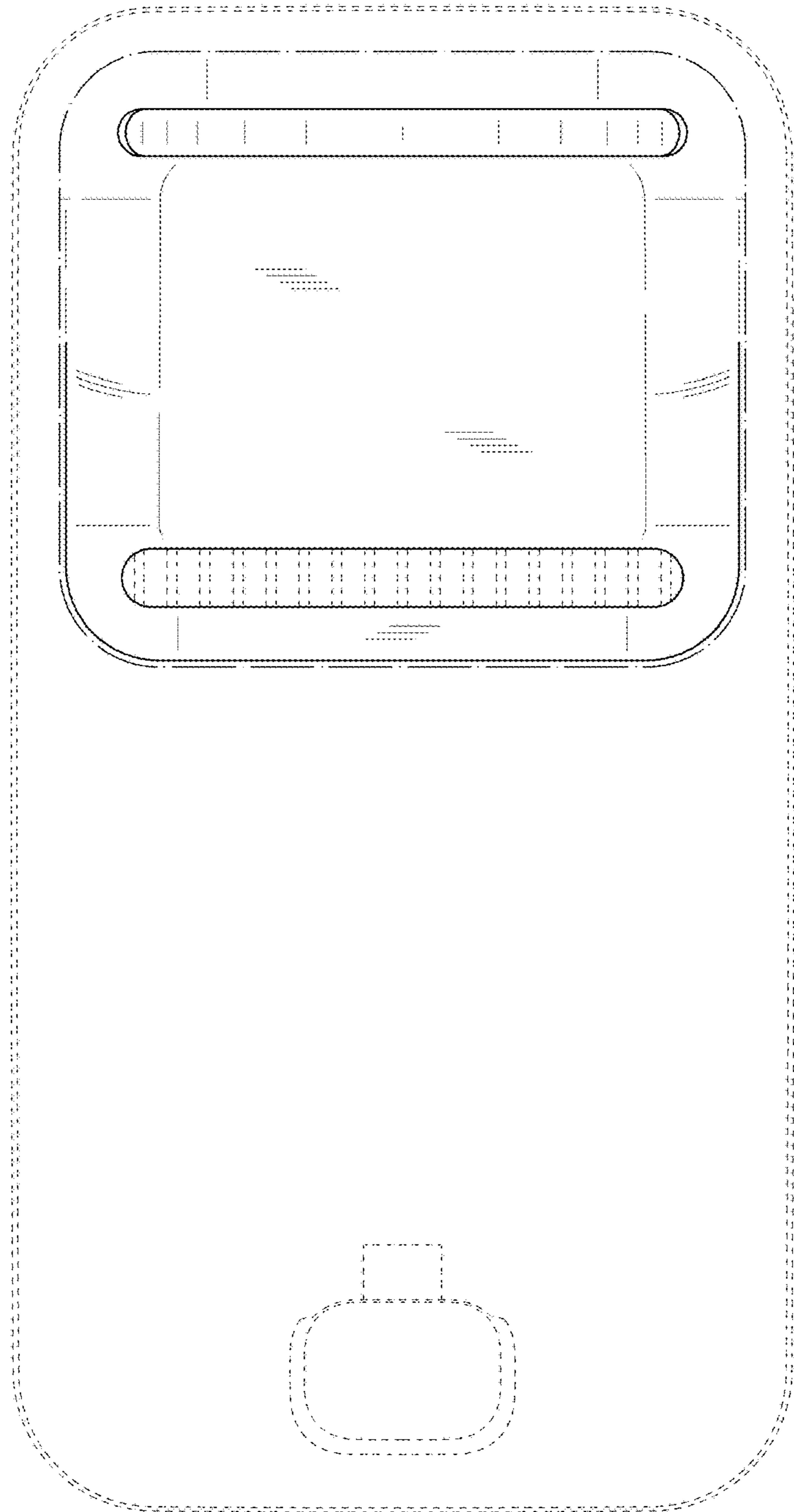


FIG.3

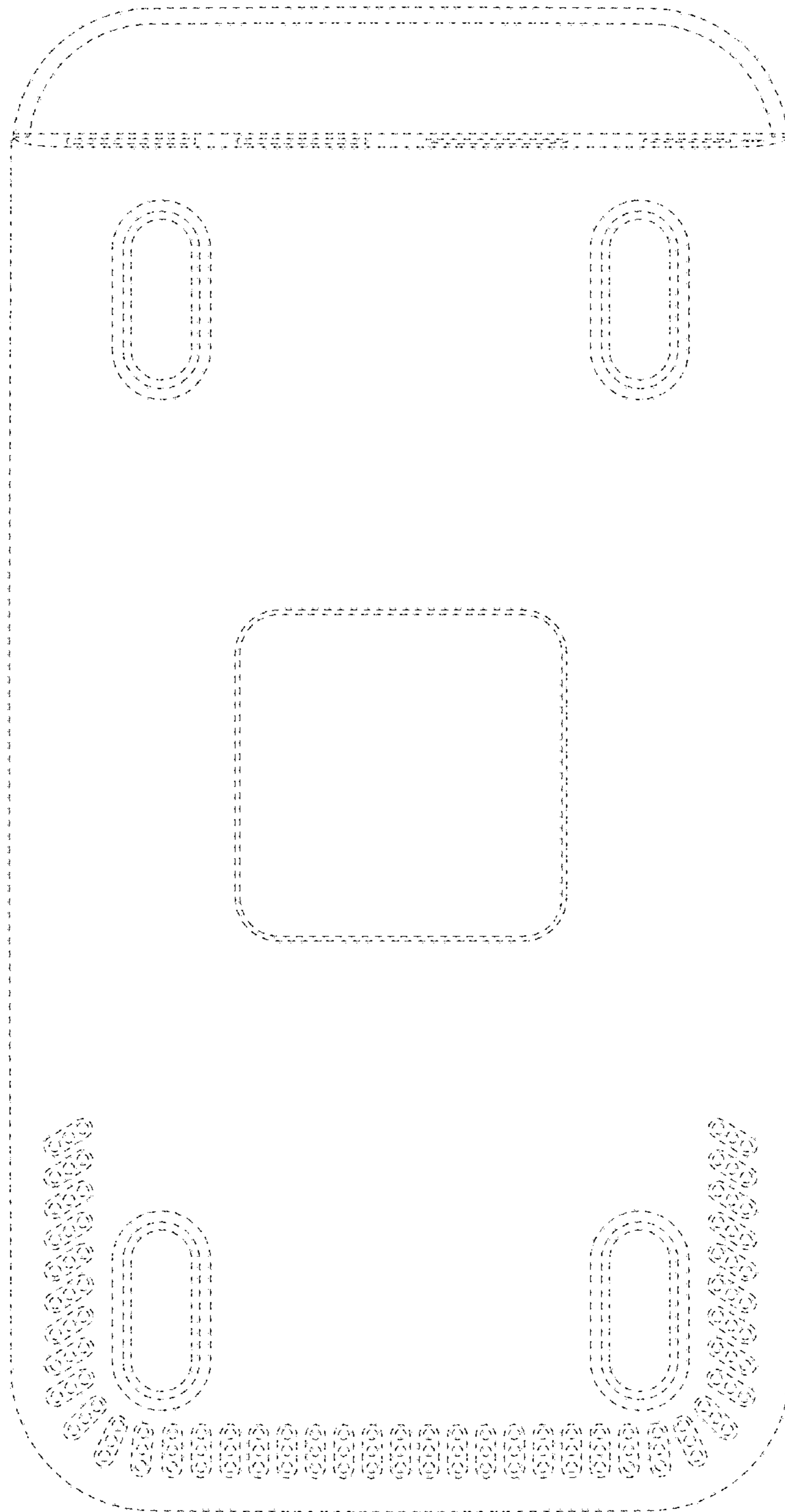


FIG.4

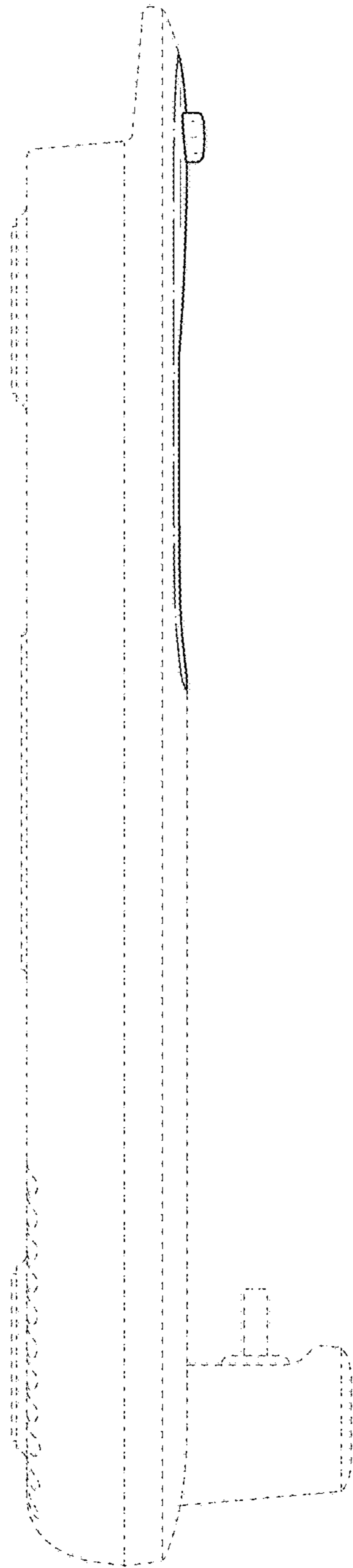


FIG.5

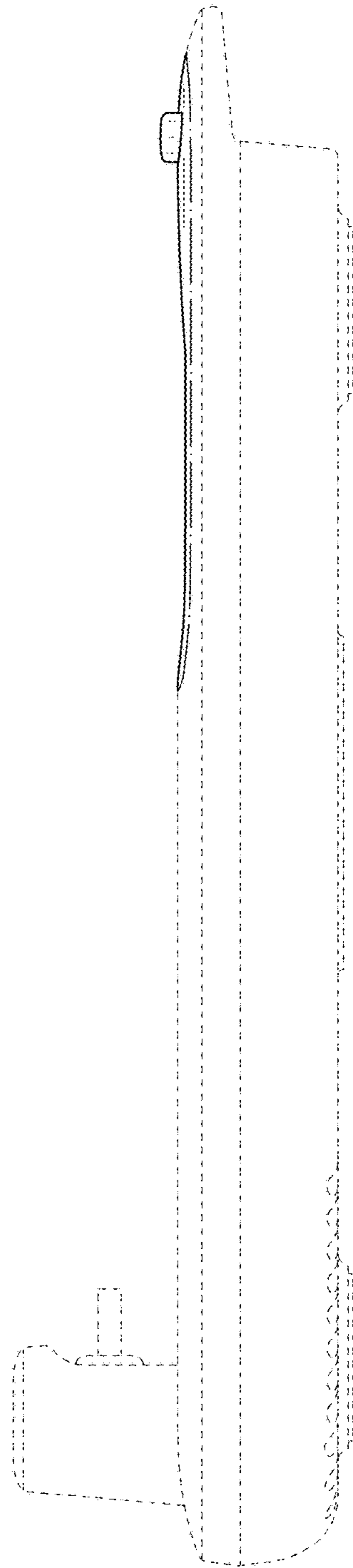


FIG.6

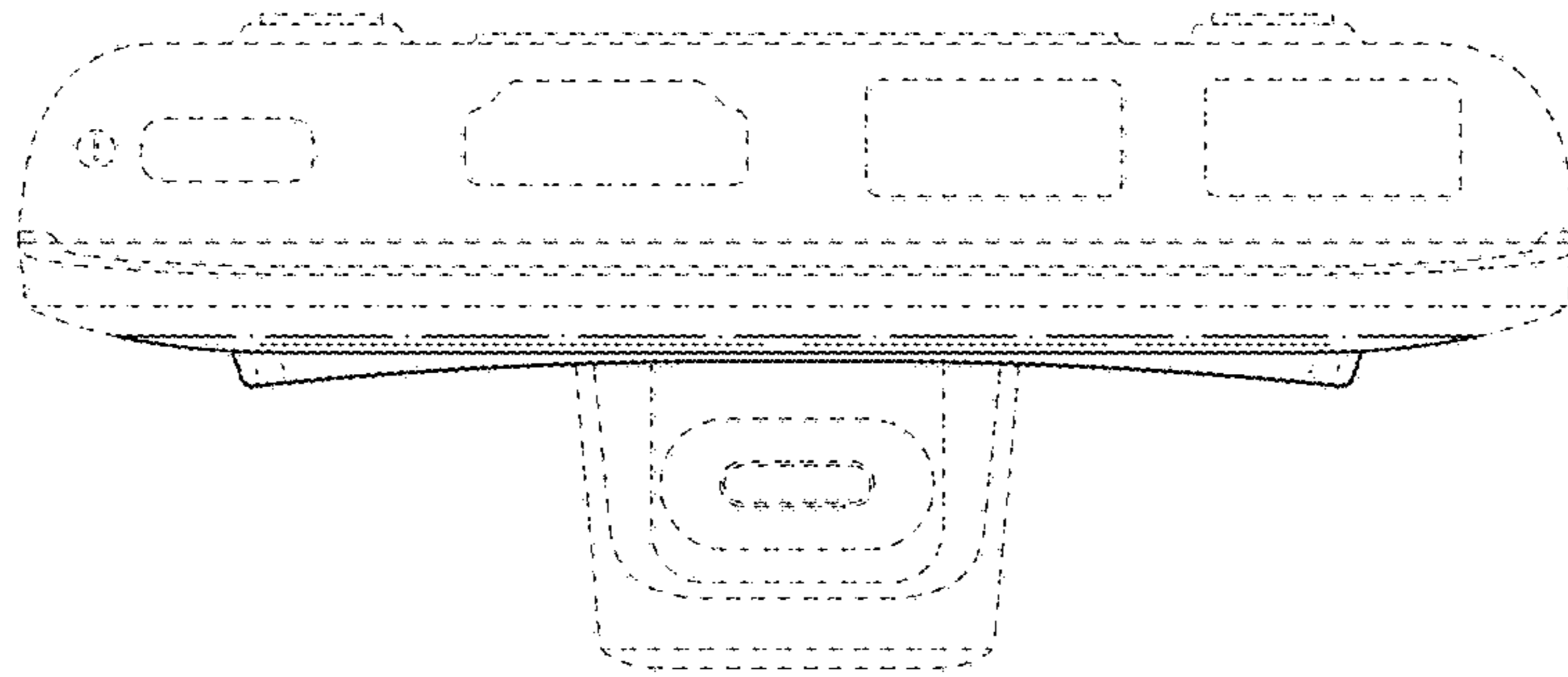


FIG.7

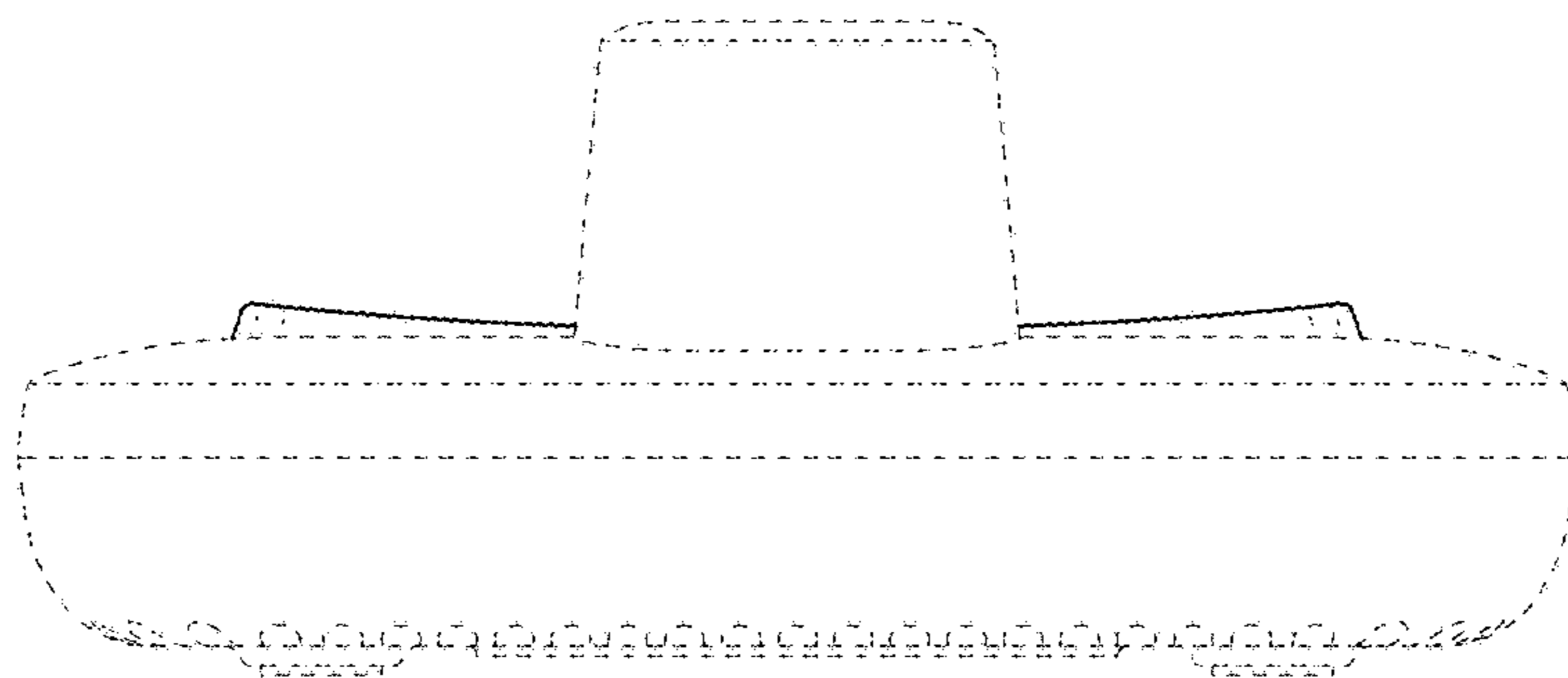


FIG.8

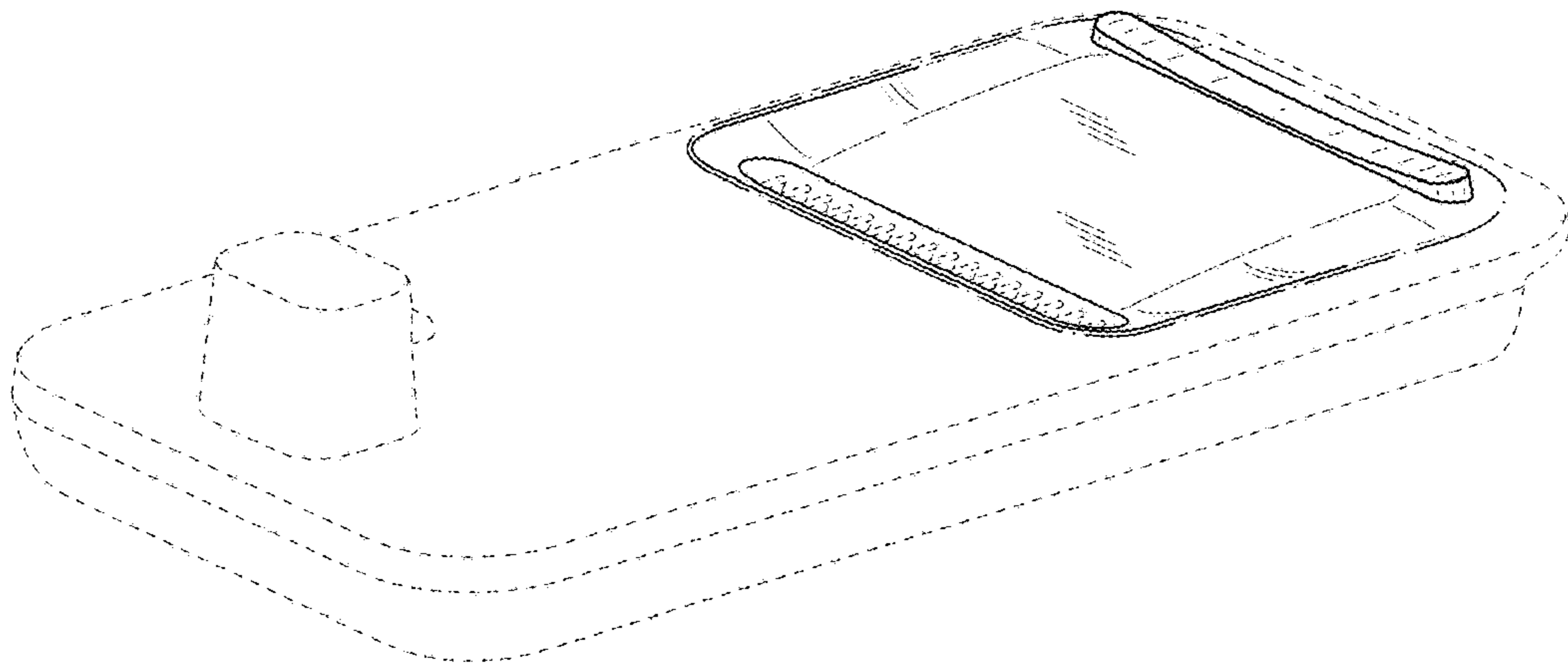


FIG.9

