



US00D846546S

(12) **United States Design Patent**
Mitchell

(10) **Patent No.:** **US D846,546 S**
(45) **Date of Patent:** **** Apr. 23, 2019**

(54) **ELECTRONIC PEN**

(71) Applicant: **Wacom Co., Ltd.**, Kazo-shi, Saitama (JP)

(72) Inventor: **Giles Thomas Mitchell**, Setagaya-ku (JP)

(73) Assignee: **Wacom Co., Ltd.**, Kazo-shi (JP)

(**) Term: **15 Years**

(21) Appl. No.: **29/608,343**

(22) Filed: **Jun. 21, 2017**

(30) **Foreign Application Priority Data**

Dec. 21, 2016 (JP) 2016-027753

(51) **LOC (11) Cl.** **14-02**

(52) **U.S. Cl.**
USPC **D14/411**

(58) **Field of Classification Search**
USPC D14/372, 496, 432, 371, 125, 126, 129,
D14/299, 411; D16/300-342; 351/158,
(Continued)

(56) **References Cited**

U.S. PATENT DOCUMENTS

D669,896 S 10/2012 Nakata
D670,700 S 11/2012 Halsinger et al.
(Continued)

FOREIGN PATENT DOCUMENTS

EM 002306829-0001 9/2013
JP D1223237 S 11/2004
JP D1329461 S 5/2008

Primary Examiner — Austin Murphy

(74) *Attorney, Agent, or Firm* — Christensen O'Connor Johnson Kindness PLLC

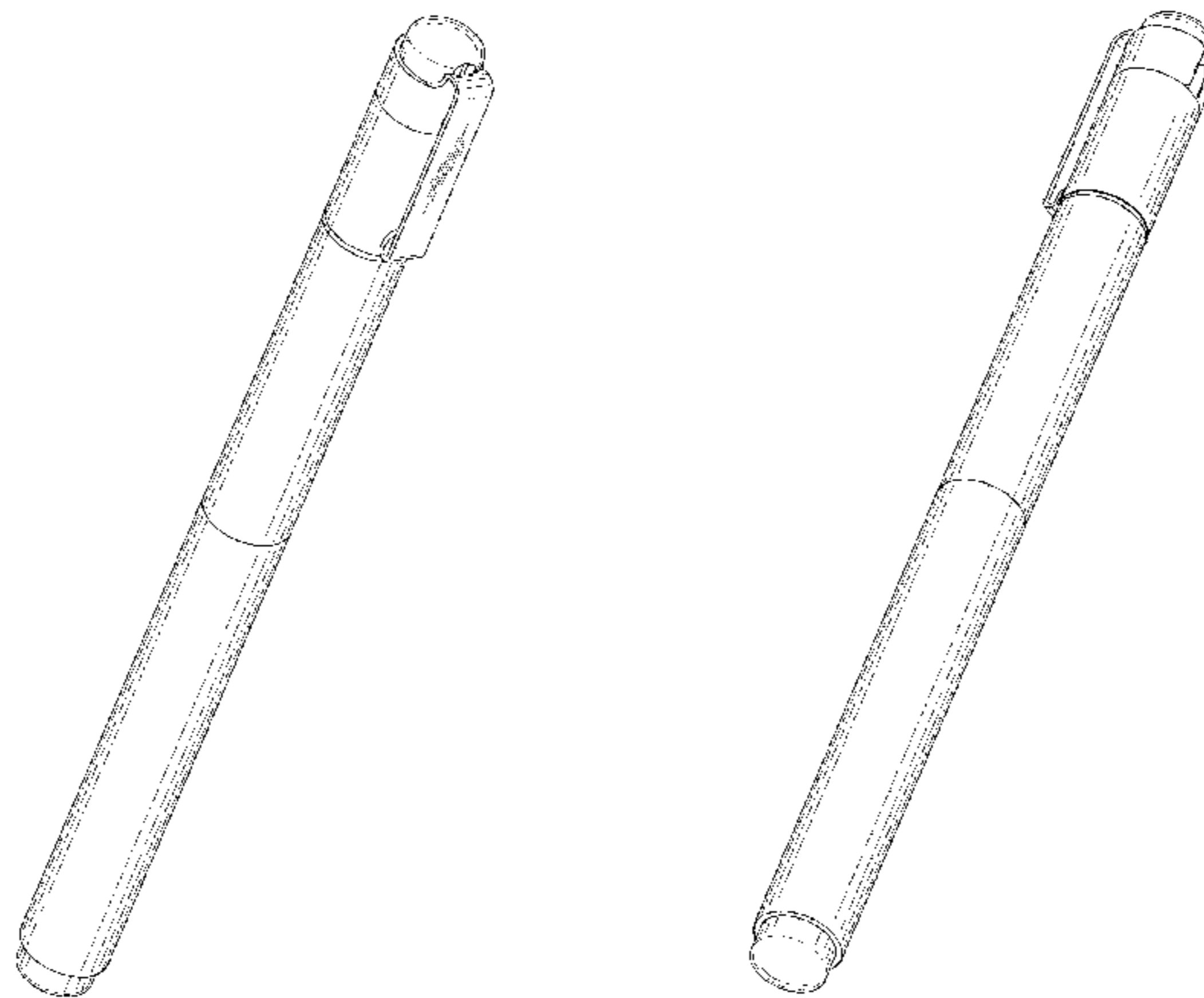
(57) **CLAIM**

The ornamental design for an electronic pen, as shown and described.

DESCRIPTION

FIG. 1 is a top front left perspective view of an electronic pen having a cap according to a representative embodiment of my new design;
FIG. 2 is a bottom rear right perspective view of the electronic pen shown in FIG. 1;
FIG. 3 is a front view of the electronic pen shown in FIG. 1;
FIG. 4 is a right side view of the electronic pen shown in FIG. 1, wherein the left side view is a mirror image of the right side view;
FIG. 5 is a rear view of the electronic pen shown in FIG. 1;
FIG. 6 is a plan view of the electronic pen shown in FIG. 1;
FIG. 7 is a bottom view of the electronic pen shown in FIG. 1;
FIG. 8 is a top front left perspective view of the electronic pen shown in FIG. 1 with the cap removed;
FIG. 9 is a bottom rear right perspective view of the electronic pen shown in FIG. 8;
FIG. 10 is a front view of the electronic pen shown in FIG. 8 wherein the rear view, the left side view, and the right side views are identical to the front view;
FIG. 11 is a plan view of the electronic pen shown in FIG. 8;
FIG. 12 is a bottom view of the electronic pen shown in FIG. 8;
FIG. 13 is a top front left perspective view of the cap of the electronic pen shown in FIG. 1;
FIG. 14 is a bottom rear right perspective view of the cap shown in FIG. 13;
FIG. 15 is a front view of the cap shown in FIG. 13;
FIG. 16 is a right side view of the cap shown in FIG. 13, wherein the left side view is a mirror image of the right side view;
FIG. 17 is a rear view of the cap shown in FIG. 13;
FIG. 18 is a plan view of the cap shown in FIG. 13; and,
FIG. 19 is a bottom view of the cap shown in FIG. 13.
The broken lines in the drawings show portions of the electronic pen that form no part of the claimed design. While the solid lines in the drawings form part of the claimed design, the solid lines also provide written description of prospective embodiments with aspects that are not claimed when one or more of the solid lines are amended to broken lines.

1 Claim, 9 Drawing Sheets



(58) **Field of Classification Search**

USPC 351/153, 144; 345/7-9, 905; 455/344;
348/115, 53, 121, 739

CPC G02B 27/017; G06F 3/016; G06F 3/033;
G06F 3/0317; G06F 3/03545; G06F
3/041; G06K 9/222

See application file for complete search history.

(56) **References Cited**

U.S. PATENT DOCUMENTS

D708,616 S	7/2014	Nakata	
D717,798 S *	11/2014	Groene	D14/411
D724,086 S *	3/2015	Schoenert	D14/411
D754,661 S	4/2016	Nishizawa	
D772,230 S *	11/2016	Lee	D14/411
D773,462 S *	12/2016	Mitchell	D14/411
D781,293 S *	3/2017	Mitchell	D14/411
D784,991 S *	4/2017	Chang	D14/411
D797,741 S *	9/2017	Cebe	D14/411
D812,057 S *	3/2018	Lehman	D14/411
D812,059 S	3/2018	Lehman et al.	
D825,566 S *	8/2018	Peterson	D14/411
D826,940 S *	8/2018	Nishizawa	D14/411

* cited by examiner

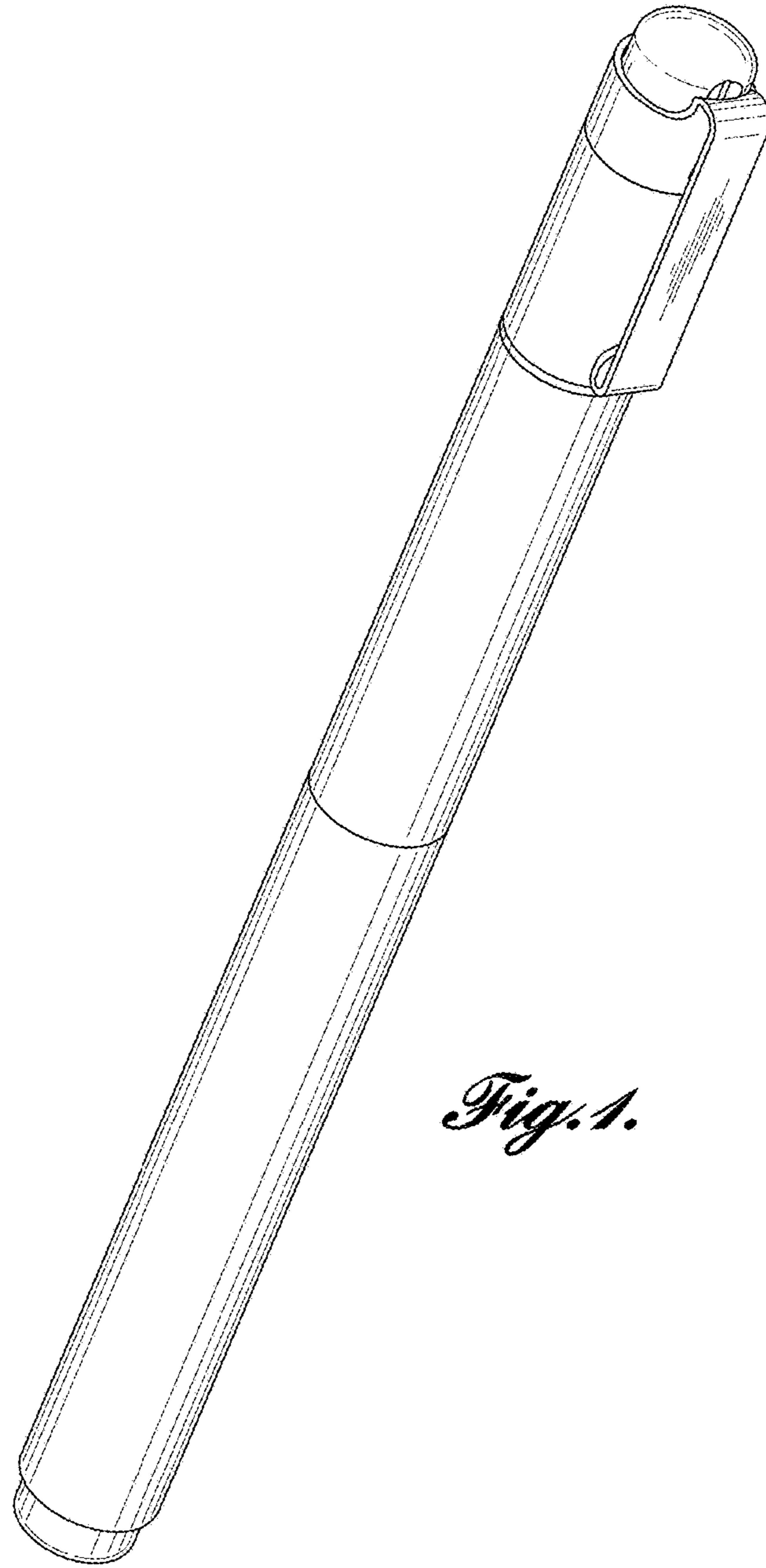


Fig. 1.

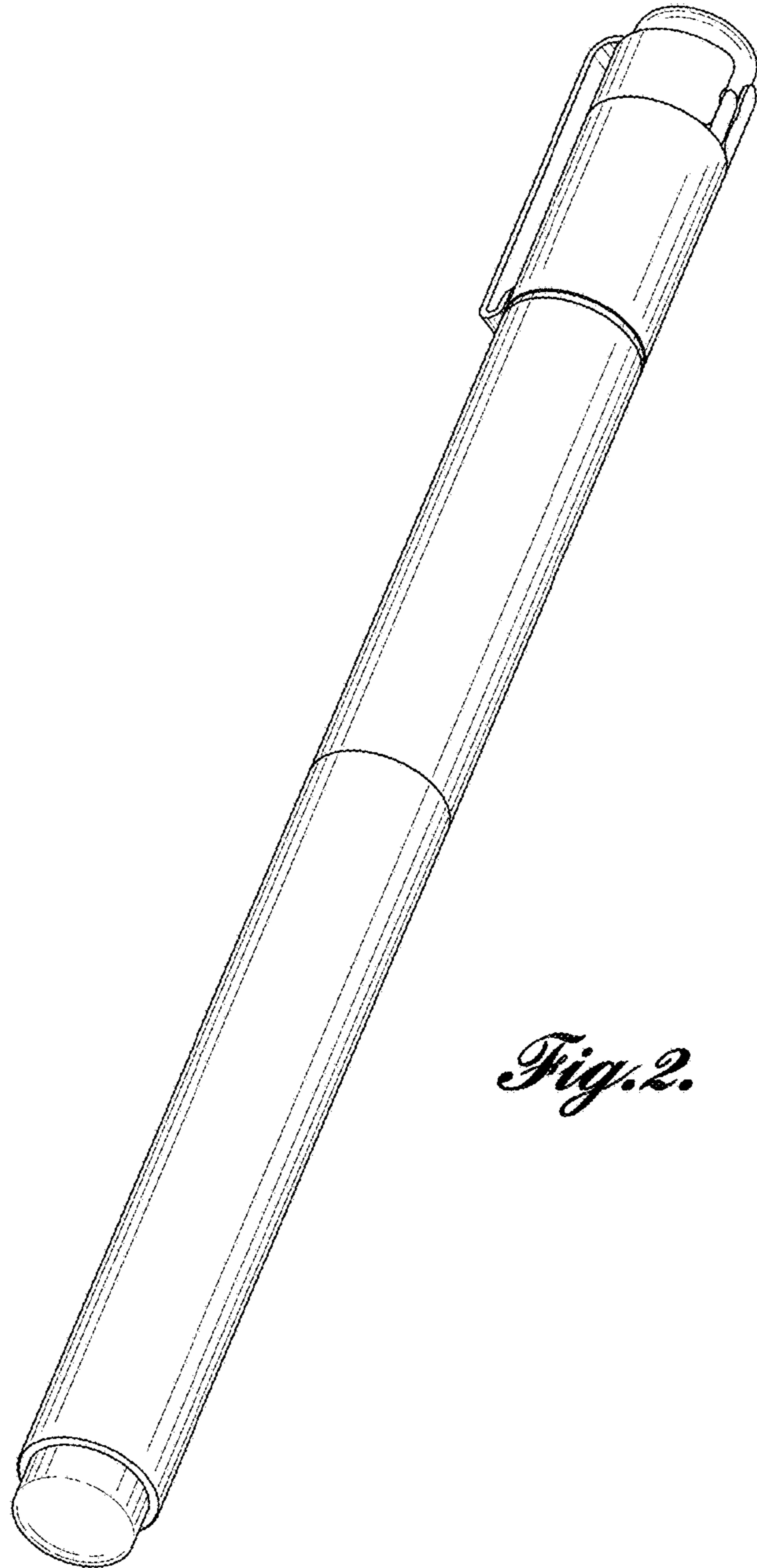


Fig. 2.

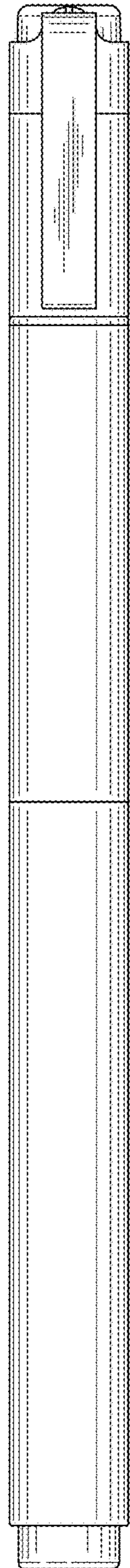


Fig. 3.

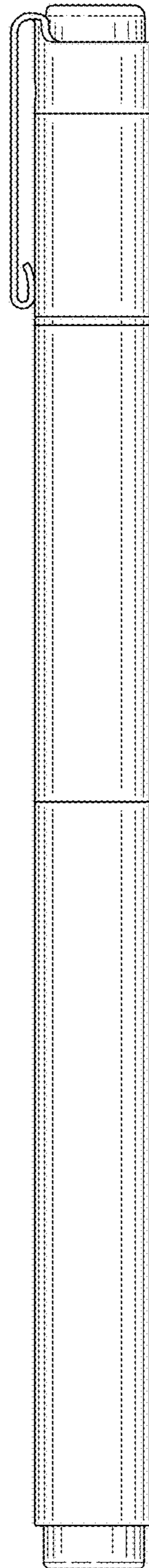


Fig. 4.

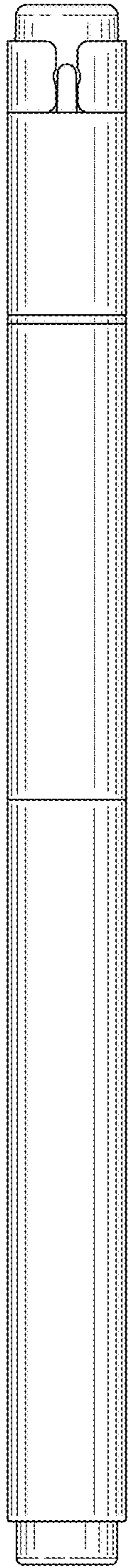


Fig. 5.

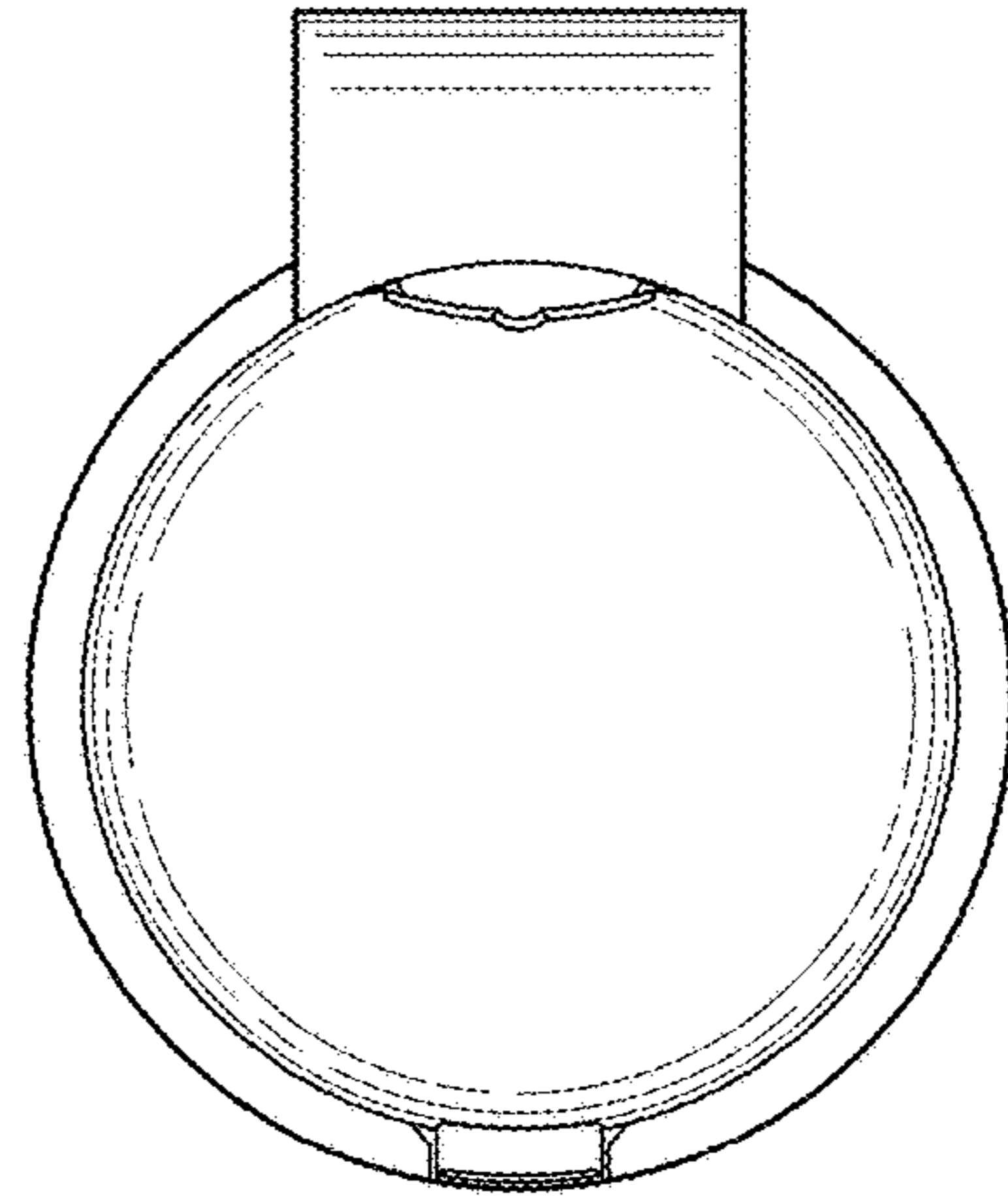


Fig. 6.

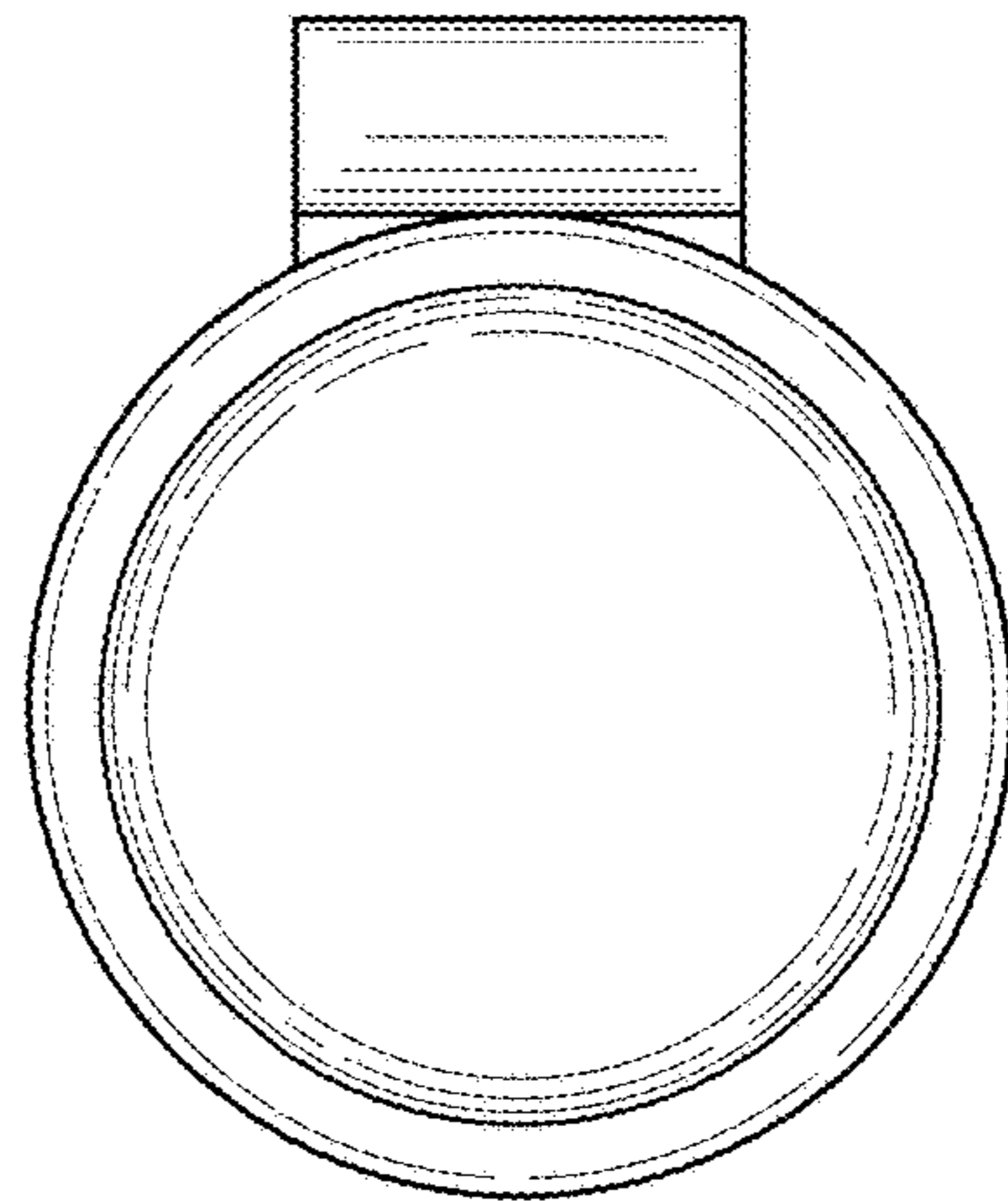


Fig. 7.

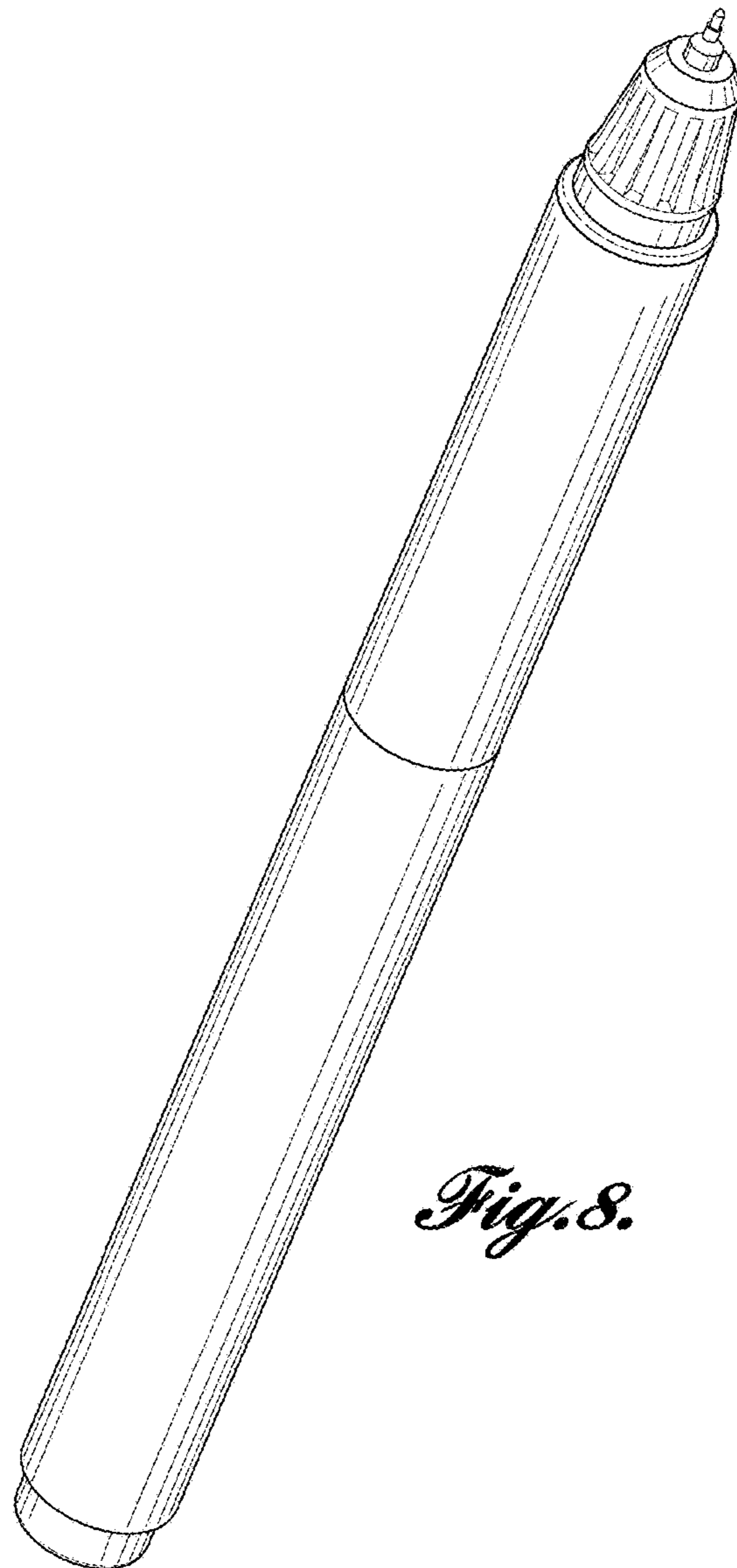


Fig. 8.

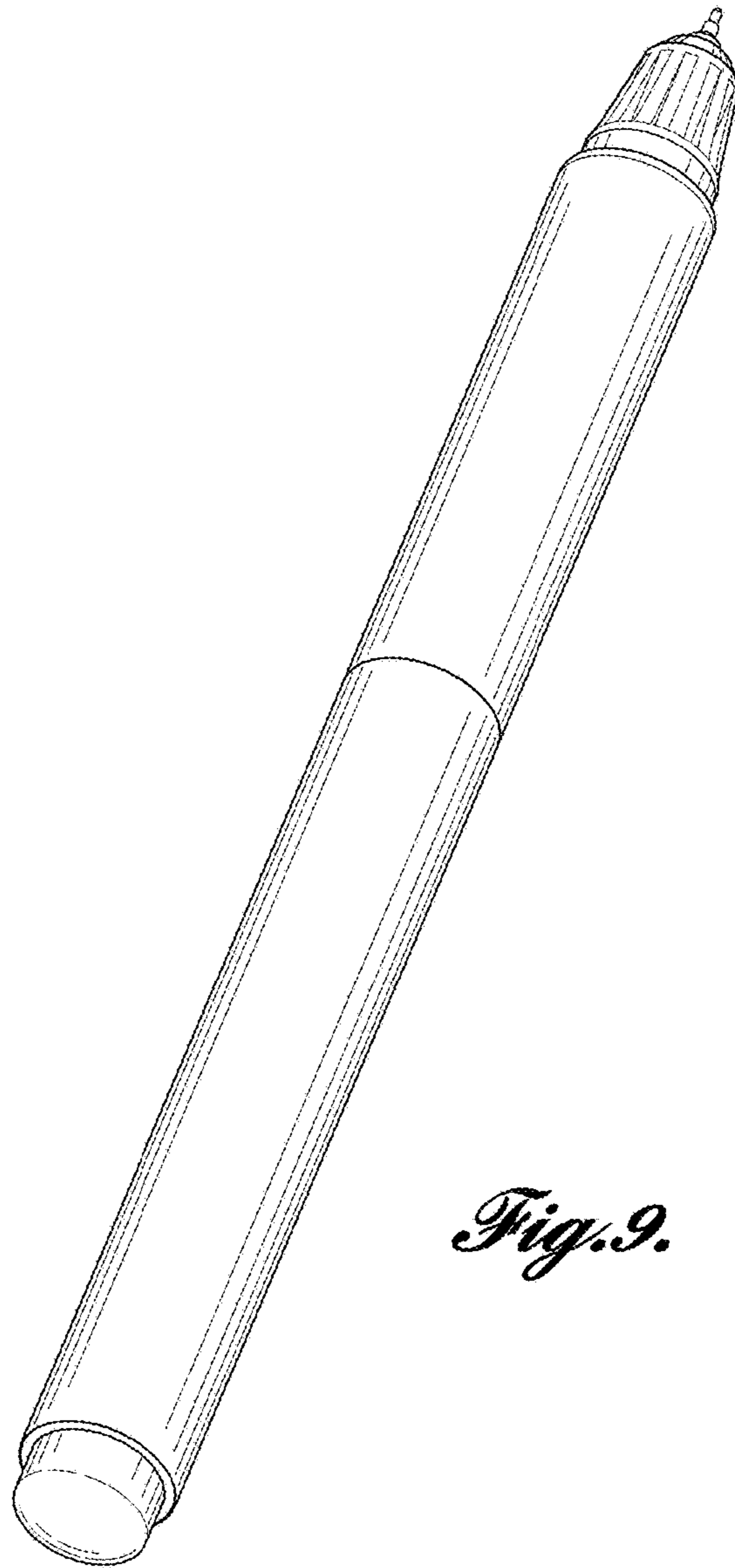


Fig. 9.

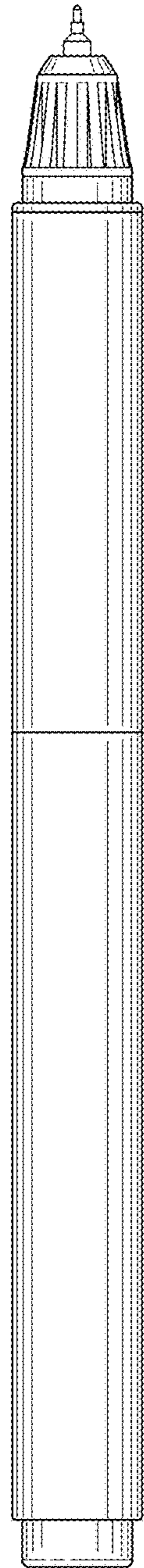


Fig. 10.

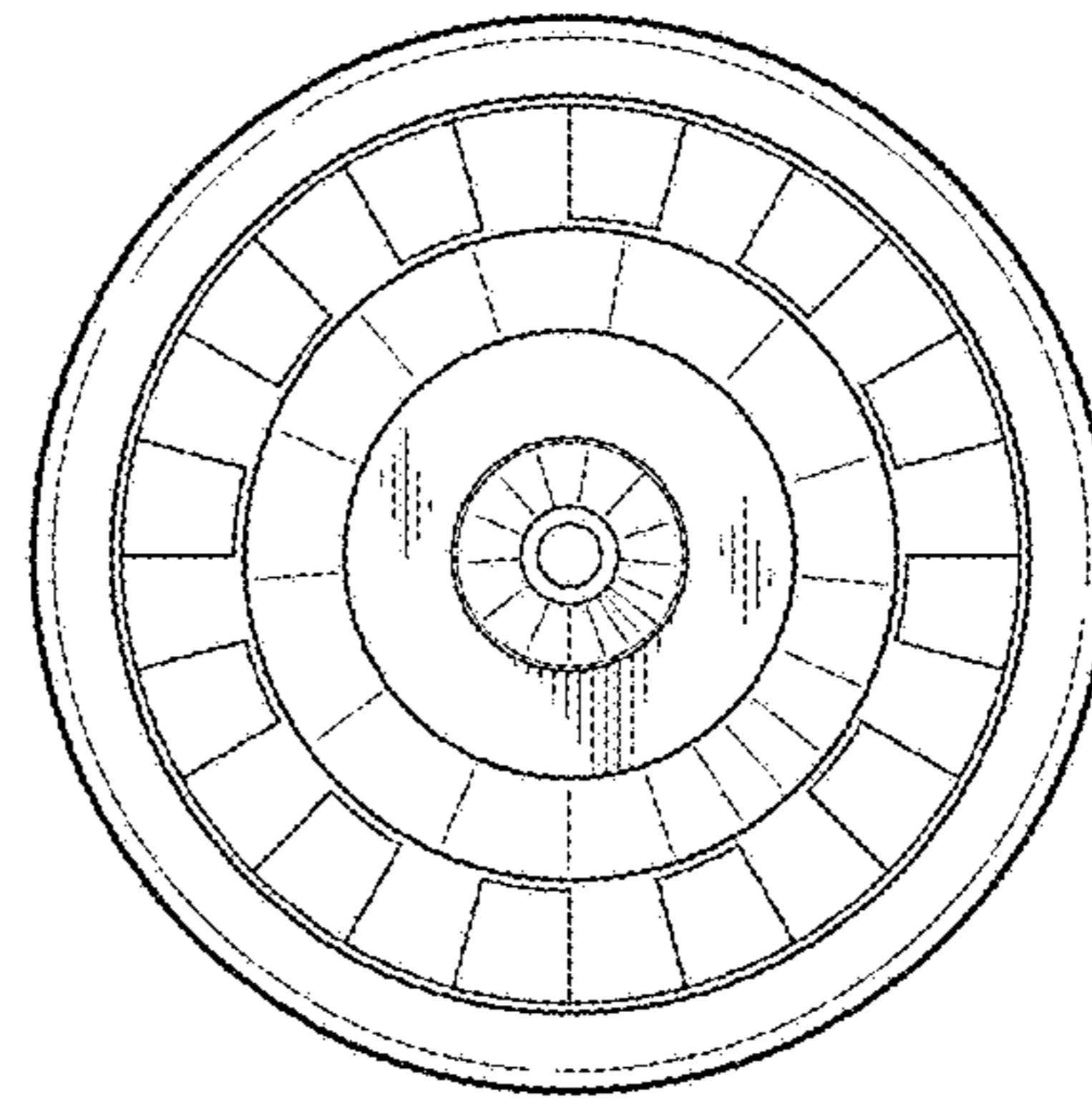


Fig. 11.

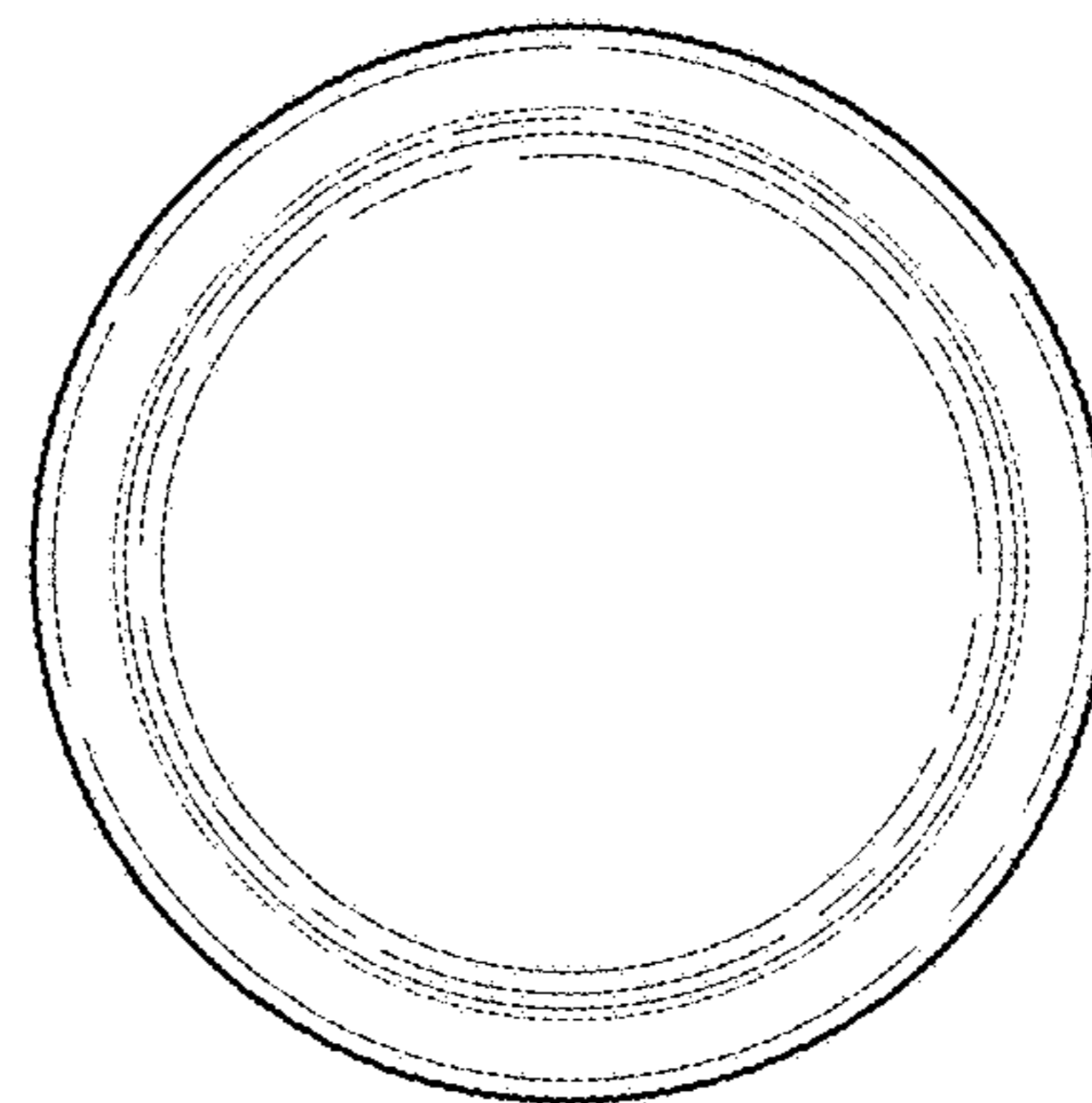


Fig. 12.

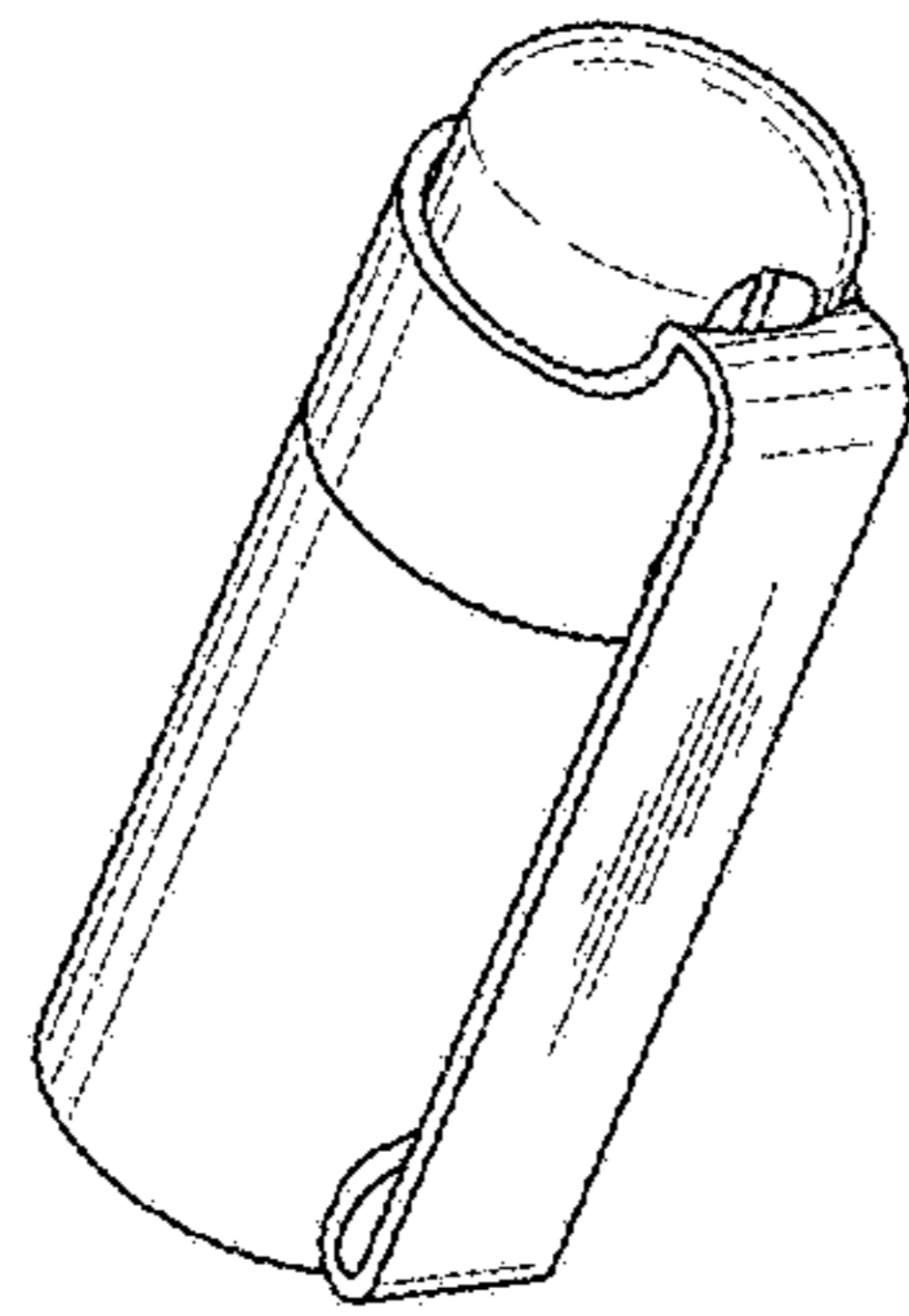


Fig. 13.

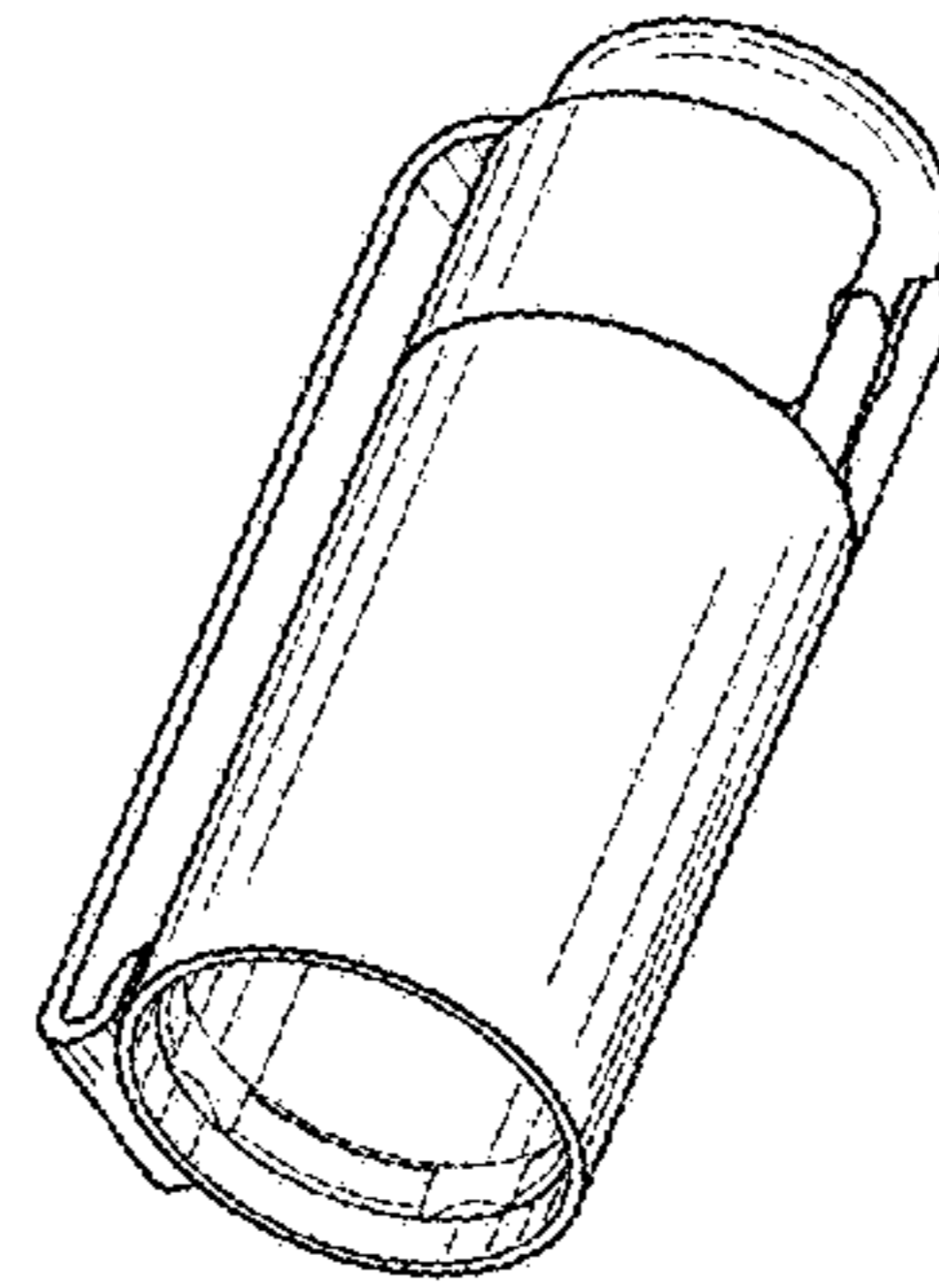


Fig. 14.

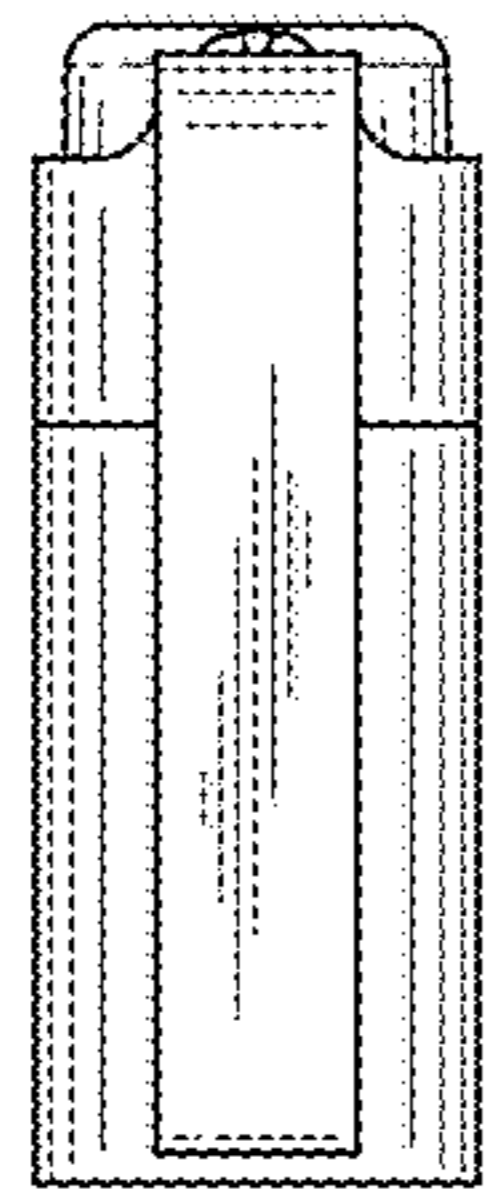


Fig. 15.

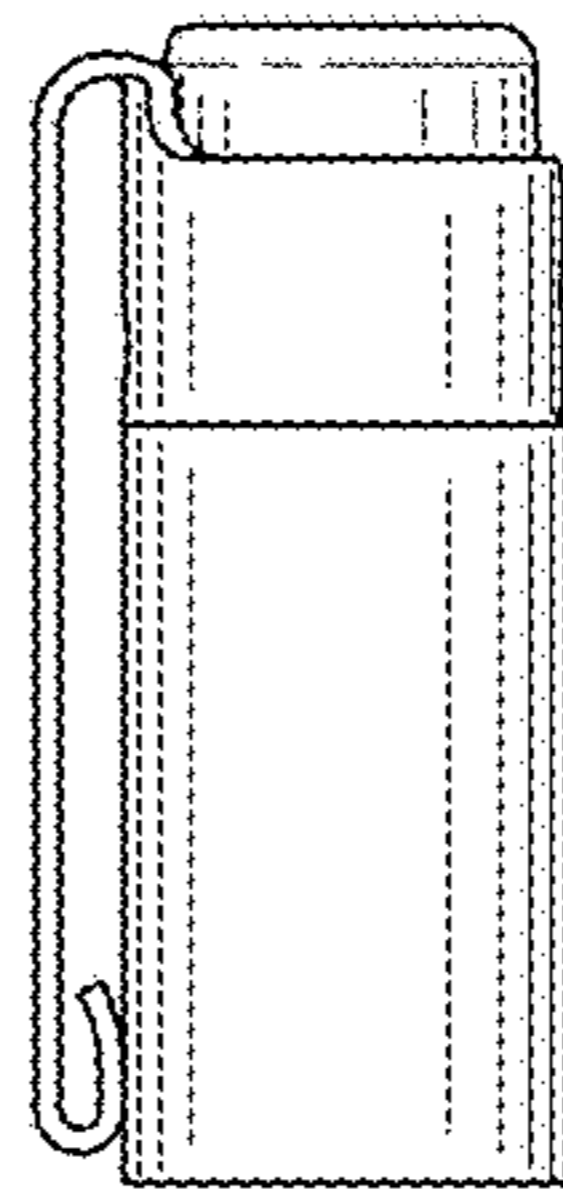


Fig. 16.

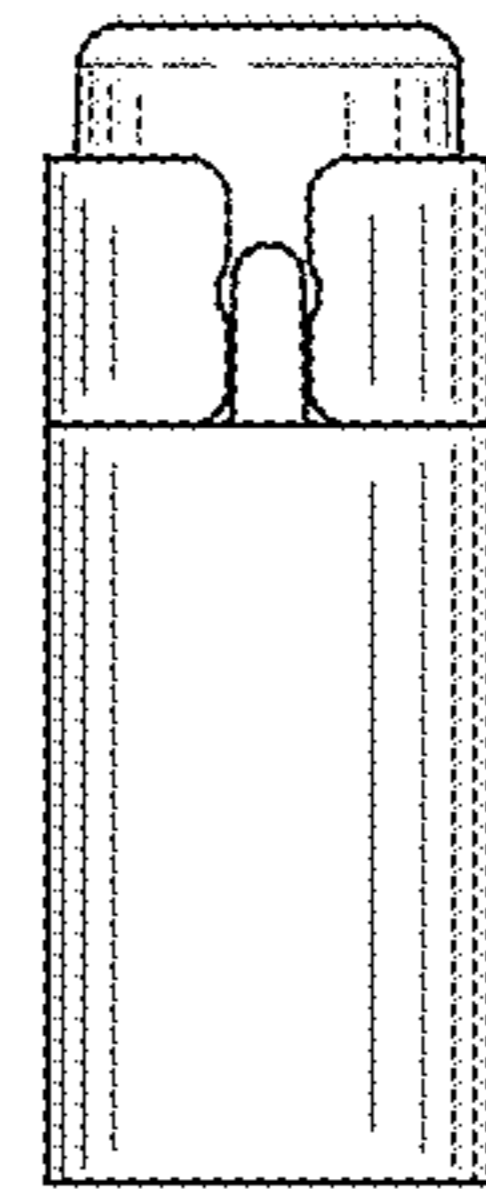


Fig. 17.

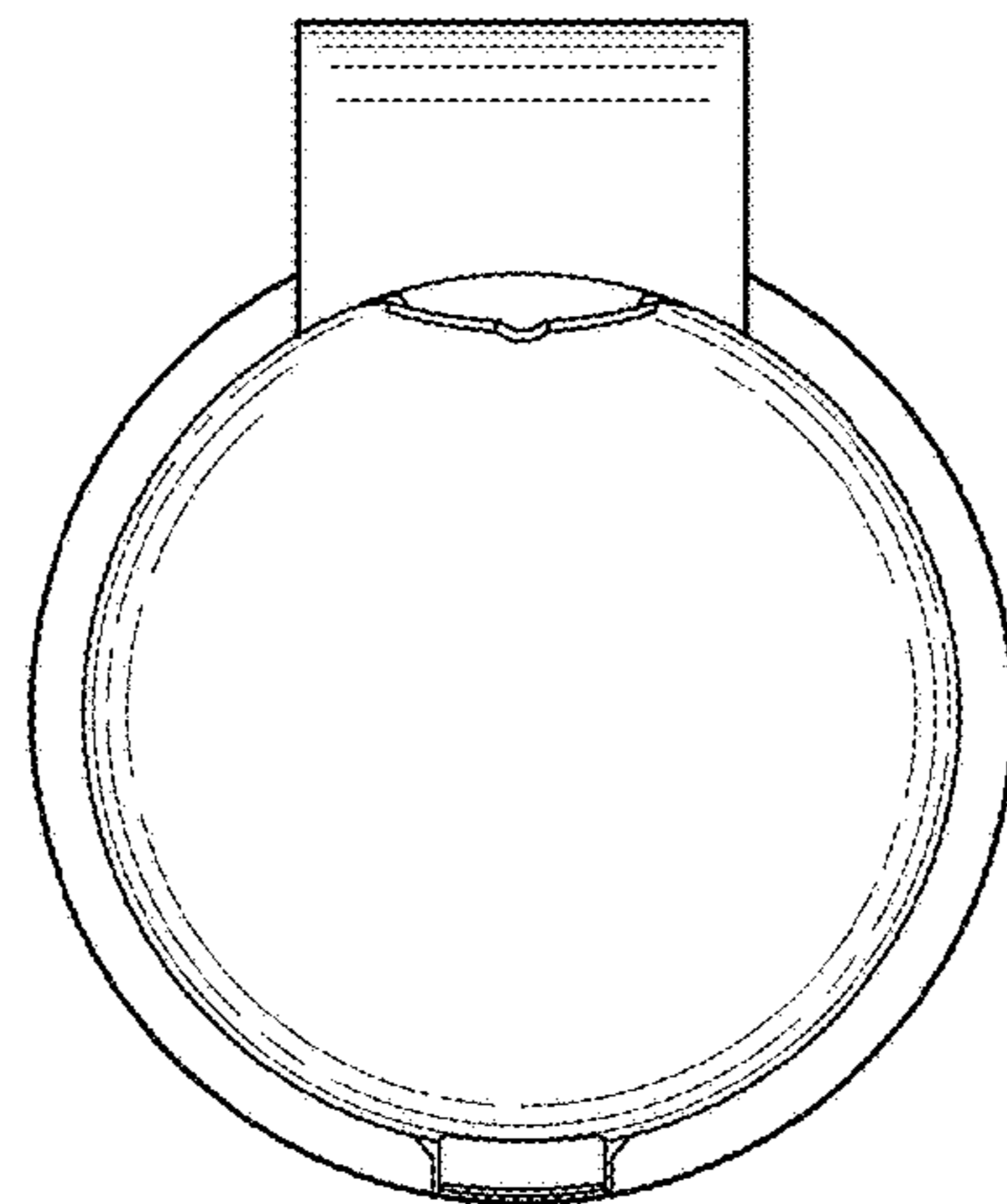


Fig. 18.

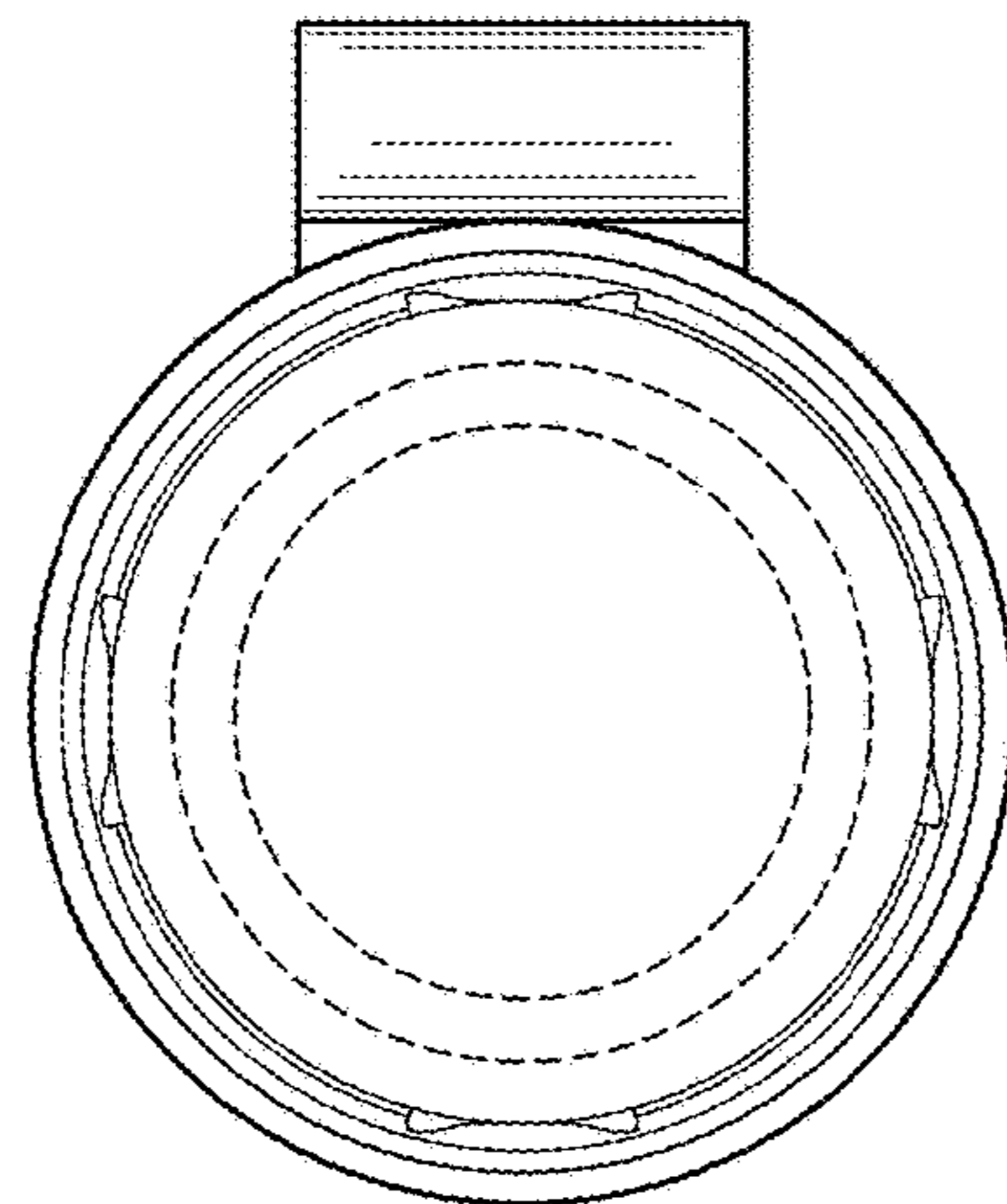


Fig. 19.

UNITED STATES PATENT AND TRADEMARK OFFICE
CERTIFICATE OF CORRECTION

PATENT NO. : D846,546 S
APPLICATION NO. : 29/608343
DATED : April 23, 2019
INVENTOR(S) : G. T. Mitchell

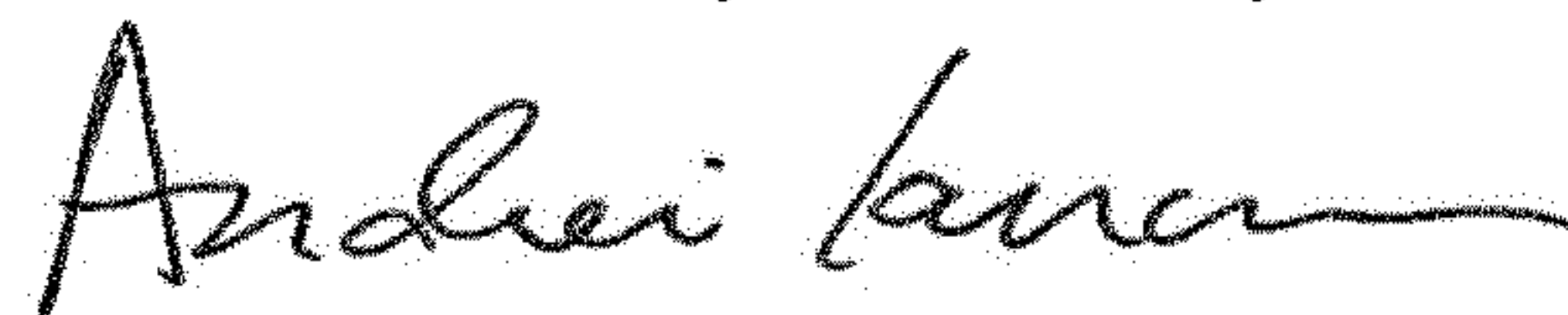
Page 1 of 1

It is certified that error appears in the above-identified patent and that said Letters Patent is hereby corrected as shown below:

On the Title Page

<u>Column</u>	<u>Line</u>	<u>Error</u>
Column 2	DESCRIPTION Line 1	“FIG. 1 is a is a” should read --FIG. 1 is a--
Column 2	DESCRIPTION Line 15	“FIG. 8 is a is a” should read --FIG. 8 is a--
Column 2	DESCRIPTION Line 26	“FIG. 13 is a is a” should read --FIG. 13 is a--

Signed and Sealed this
Fourteenth Day of January, 2020



Andrei Iancu
Director of the United States Patent and Trademark Office