

US00D846544S

(12) **United States Design Patent**
Yamazaki et al.

(10) **Patent No.:** **US D846,544 S**
(45) **Date of Patent:** **** Apr. 23, 2019**

(54) **PORTABLE INFORMATION TERMINAL**

(71) Applicant: **Semiconductor Energy Laboratory Co., Ltd.**, Atsugi-shi, Kanagawa-ken (JP)

(72) Inventors: **Shunpei Yamazaki**, Setagaya (JP);
Hideaki Okamoto, Atsugi (JP)

(73) Assignee: **Semiconductor Energy Laboratory Co., Ltd.**, Kanagawa-ken (JP)

(**) Term: **15 Years**

(21) Appl. No.: **29/598,103**

(22) Filed: **Mar. 23, 2017**

(30) **Foreign Application Priority Data**

Oct. 3, 2016 (JP) 2016-021504

(51) **LOC (11) Cl.** **14-02**

(52) **U.S. Cl.**
USPC **D14/345**

(58) **Field of Classification Search**
USPC D14/125–129, 137, 138 AA, 138 AB,
D14/138 G, 138 C, 138 R, 154, 159–165,
(Continued)

(56) **References Cited**

U.S. PATENT DOCUMENTS

D713,841 S * 9/2014 Lim D14/341
D719,540 S * 12/2014 Lee D14/138 AB
(Continued)

FOREIGN PATENT DOCUMENTS

JP 1259801 1/2006
JP 1511775 11/2014
(Continued)

OTHER PUBLICATIONS

Samsung's foldable phone could transform into a 7-inch tablet, announced Jan. 11, 2017 [online], [retrieved Jul. 16, 2018]. Avail-

able from Internet, URL: <<https://mashable.com/2017/01/11/samsung-foldable-phone-transforms-into-tablet/#A.00WaP3B5qi>> (Year: 2017).*

(Continued)

Primary Examiner — Barbara Fox

Assistant Examiner — Dana K Weiland

(74) *Attorney, Agent, or Firm* — Robinson Intellectual Property Law Office; Eric J. Robinson

(57) **CLAIM**

We claim the ornamental design for a portable information terminal, as shown and described.

DESCRIPTION

FIG. 1 is a front perspective view of a portable information terminal showing our new design;

FIG. 2 is a rear perspective view thereof;

FIG. 3 is a front perspective view of the portable information terminal in a folded position;

FIG. 4 is a rear perspective view thereof;

FIG. 5 is a front view of the portable information terminal in an unfolded position;

FIG. 6 is a rear view thereof;

FIG. 7 is a right side view thereof;

FIG. 8 is a left side view thereof;

FIG. 9 is a top view thereof;

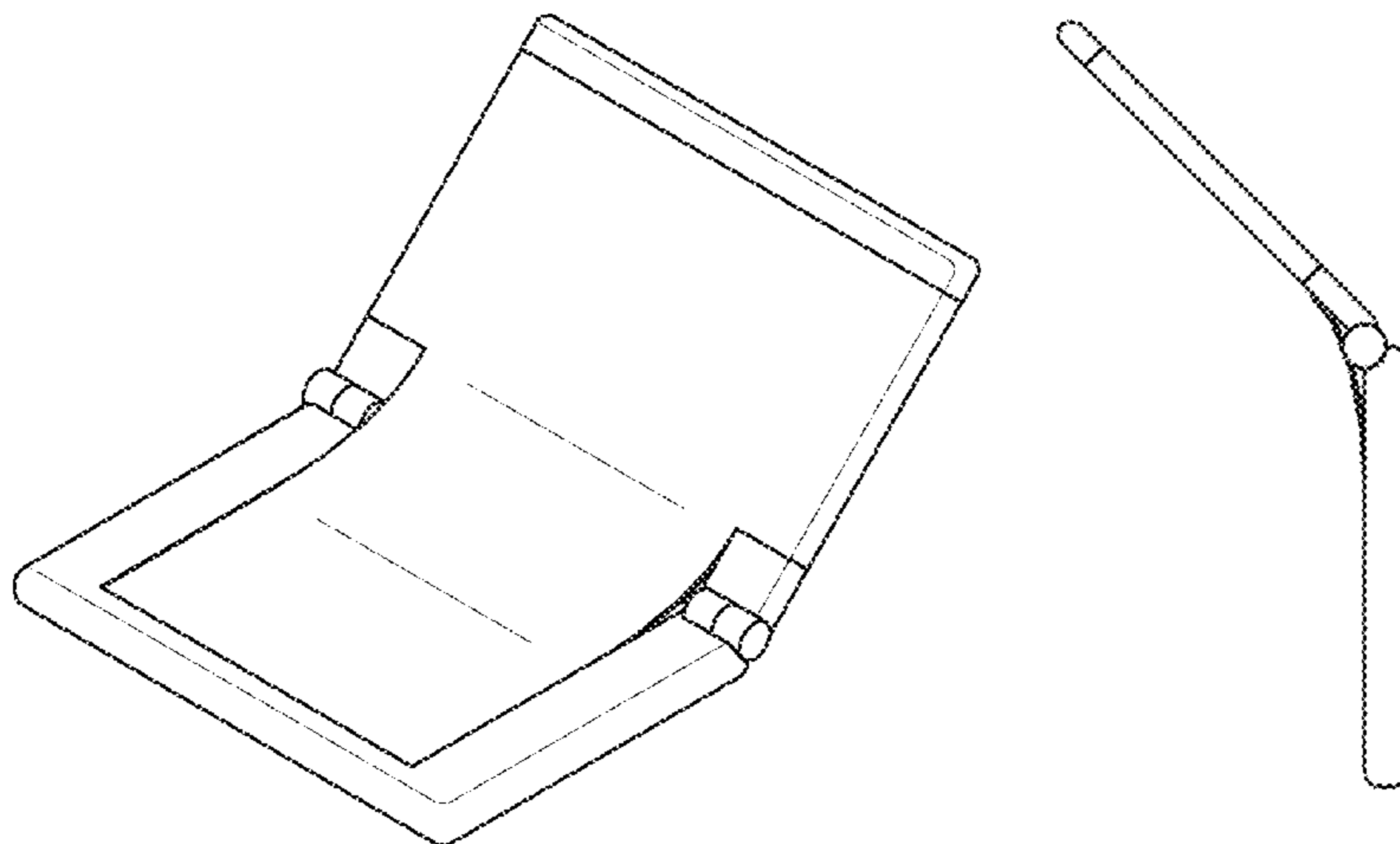
FIG. 10 is a bottom view thereof;

FIG. 11 is a front view of the portable information terminal in a folded position; and,

FIG. 12 is a right side view thereof.

The portable information terminal can function as a computer, a wireless communication device, a media reproducing device (e.g., a music player, a video player, or a game player) or the like, for example. A display portion of the portable information terminal is provided over a housing on the upper side and a housing on the lower side when seen from the front side of the portable information terminal. The portable information terminal can be folded so that the display portion is on the inside. The display portion extends to side surfaces and a rear surface of the housing on the upper side, and covers the side surfaces. The portable information terminal is used in a folded, unfolded, or curved state as necessary.

1 Claim, 6 Drawing Sheets



(58) **Field of Classification Search**

USPC D14/167, 168, 170–172, 188, 192, 194,
 D14/203.1, 0.3, 0.4, 0.7, 204, 205, 207,
 D14/214–216, 223, 224, 238.1, 239, 248,
 D14/250, 251, 253, 308, 317, 331, 336,
 D14/337, 341–347, 371–377, 388, 389,
 D14/420, 432, 439, 440, 447, 448, 451,
 D14/452, 457, 496; D6/308, 310,
 D6/406.1–406.6, 601; D10/104.1, 50, 65;
 D21/329–332; D13/108
 CPC G06F 1/1601; G06F 1/1605; G06F 1/162;
 G06F 1/1613; G06F 1/1647; G06F
 1/1641; G06F 1/1616; G06F 1/1652;
 G06F 3/04883; G06F 3/0486; G06F
 3/0487; G06F 3/0484; H04M 1/0214;
 H04R 1/02; H04R 5/00; H04R 9/06;
 G08B 21/0288; G08B 21/02; F16M 11/00
 See application file for complete search history.

2011/0242026 A1* 10/2011 Ishigaki G06F 17/30991
 345/173
 2012/0002360 A1* 1/2012 Seo G06F 1/1616
 361/679.01
 2012/0264489 A1* 10/2012 Choi H04M 1/0216
 455/566
 2013/0307805 A1* 11/2013 Arai G06F 3/04883
 345/173
 2015/0062028 A1* 3/2015 Go G06F 1/1616
 345/173
 2015/0378397 A1* 12/2015 Park G06F 1/1652
 361/679.27

FOREIGN PATENT DOCUMENTS

JP	1465491	3/2015
JP	Des. 1572761	3/2017
JP	Des. 1572767	3/2017
JP	Des. 1572768	3/2017
JP	Des. 1572769	3/2017
JP	Des. 1572770	3/2017
KR	30-0689166	4/2013

(56) **References Cited**

U.S. PATENT DOCUMENTS

D719,541 S 12/2014 Lee et al.
 9,013,368 B1* 4/2015 Kim G06F 3/1446
 345/1.1
 D741,856 S * 10/2015 Yamazaki D14/341
 D745,516 S * 12/2015 Yamazaki D14/341
 D747,284 S * 1/2016 Endo D14/126
 D753,652 S 1/2016 Endo et al.
 D749,575 S * 2/2016 Park D14/203.4
 D761,254 S * 7/2016 Yamazaki D14/341
 D768,624 S * 10/2016 Bae D14/331
 D770,448 S * 11/2016 Endo D14/341
 9,655,235 B2* 5/2017 Hwang G09F 9/301
 9,720,455 B2* 8/2017 Jang G06F 1/1681
 D800,112 S * 10/2017 Park D14/345
 9,791,891 B2* 10/2017 Jung G06F 1/1652
 D816,079 S * 4/2018 Yamazaki D14/341

OTHER PUBLICATIONS

Lenovo's Flexible Display Wrist Phone and Foldable Tablet, announced Sep. 11, 2016 [online], [retrieved Jul. 18, 2018]. Available from Internet, URL: <<http://www.shelltechnos.com/gadgets/lenovo-flexible-display-wrist-phone-and-foldable-tablet/>> (Year: 2016).*
 Specification and Drawings of Design U.S. Appl. No. 29/597,729, filed Mar. 20, 2017.
 Specification and Drawings of Design U.S. Appl. No. 29/598,091, filed Mar. 23, 2017.
 Specification and Drawings of Design U.S. Appl. No. 29/598,102, filed Mar. 23, 2017.
 Specification and Drawings of Design U.S. Appl. No. 29/598,104, filed Mar. 23, 2017.
 Specification and Drawings of Design U.S. Appl. No. 29/598,105, filed Mar. 23, 2017.

* cited by examiner

FIG.1

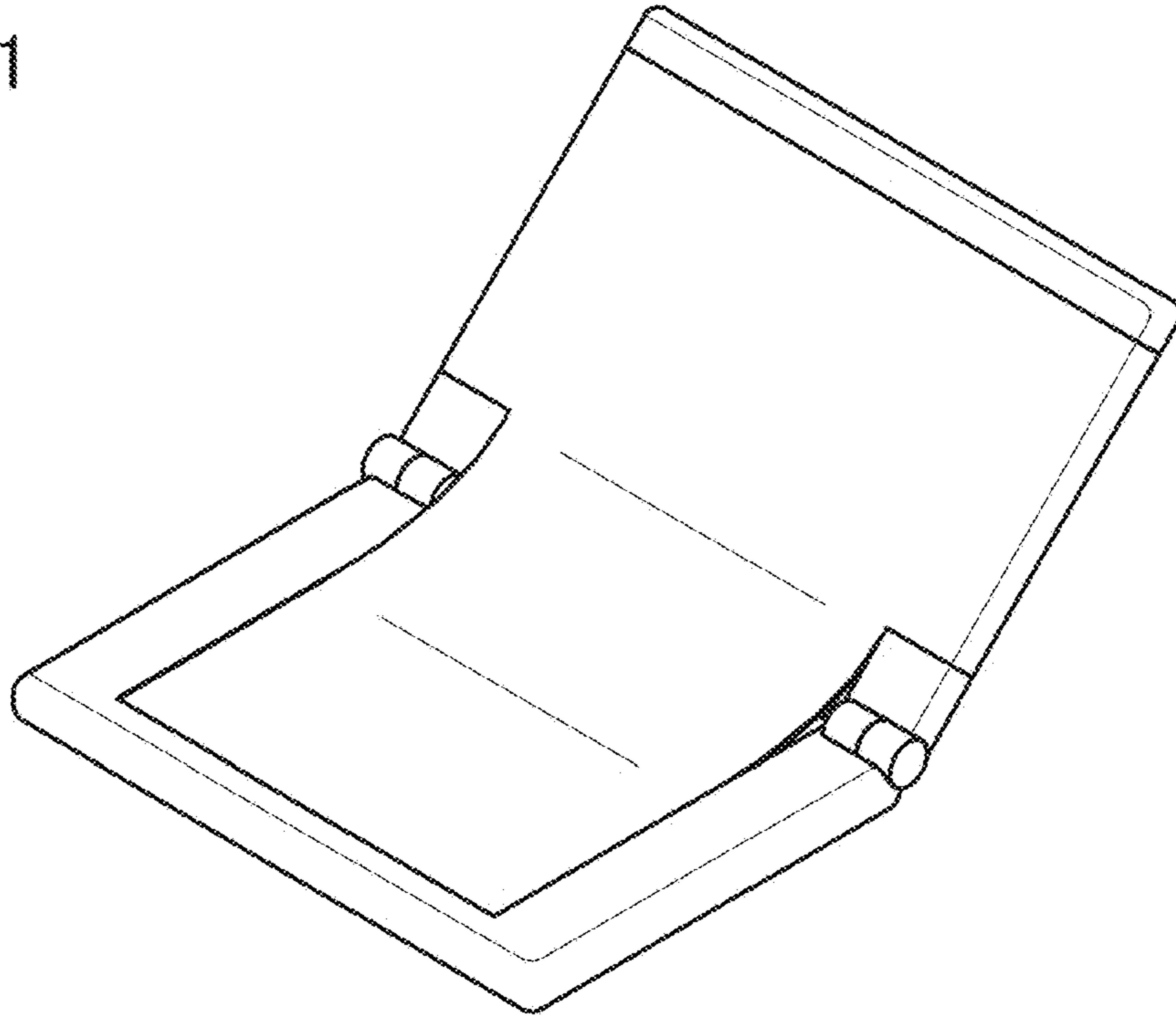


FIG.2

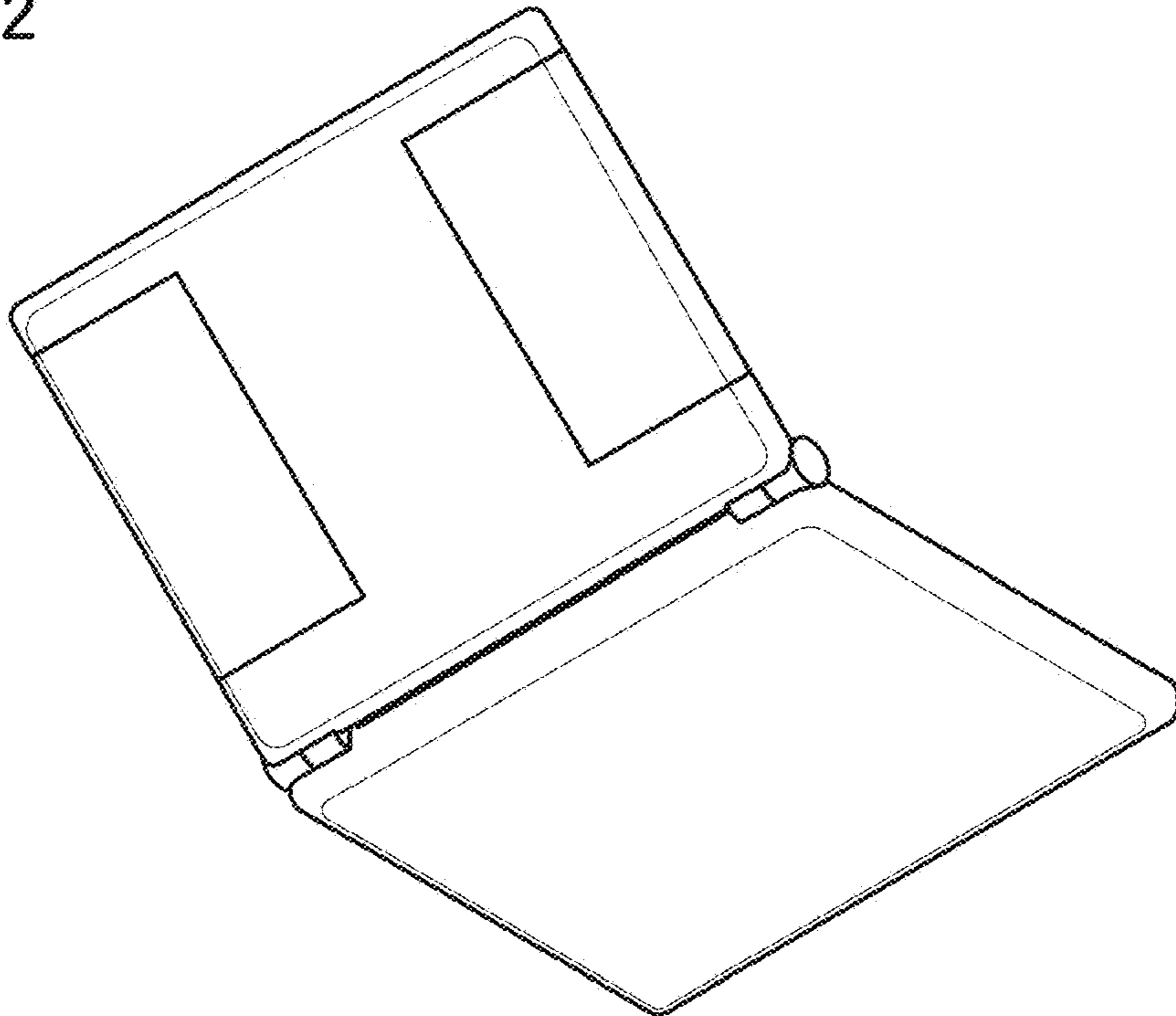


FIG.3

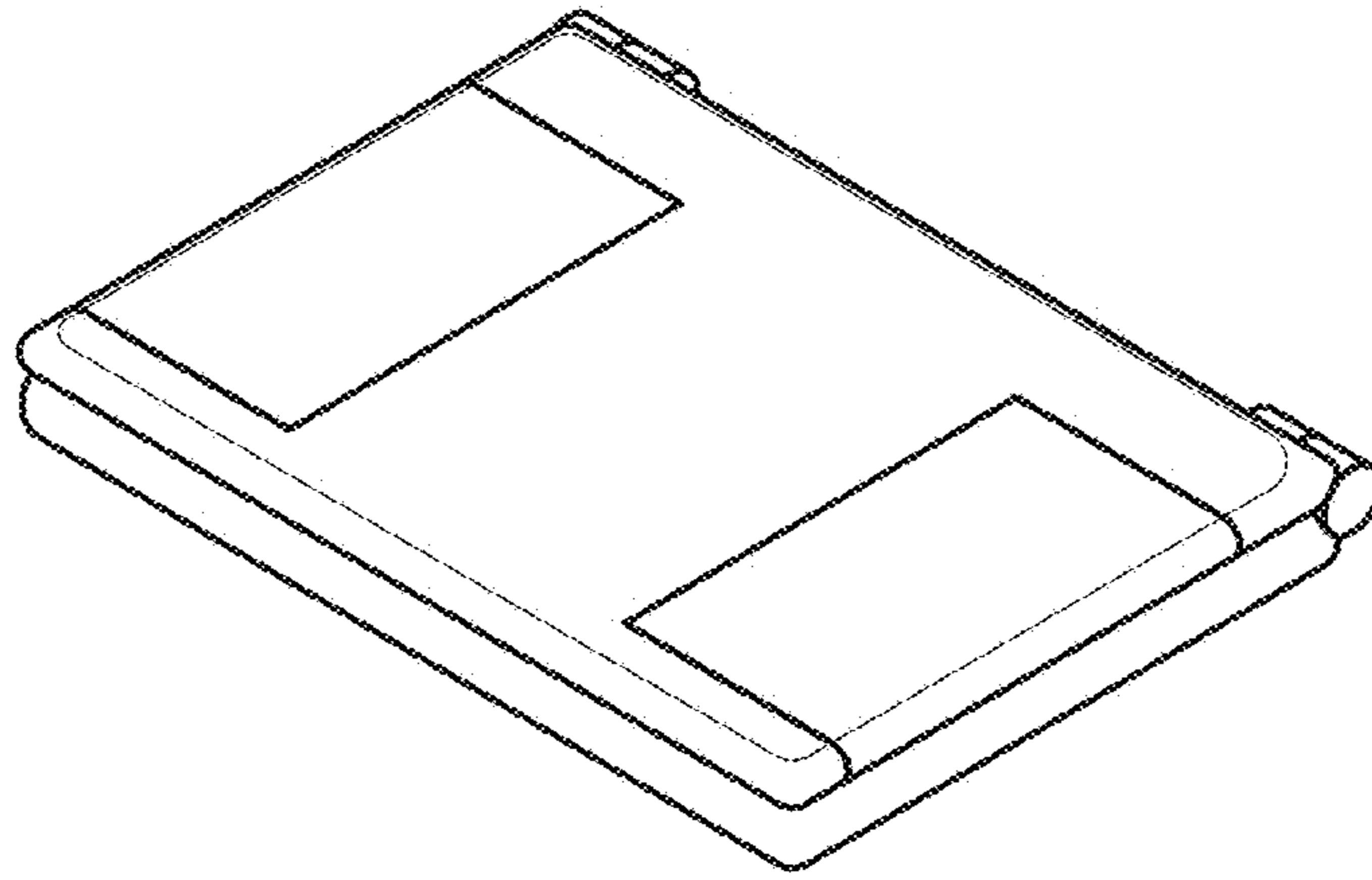


FIG.4

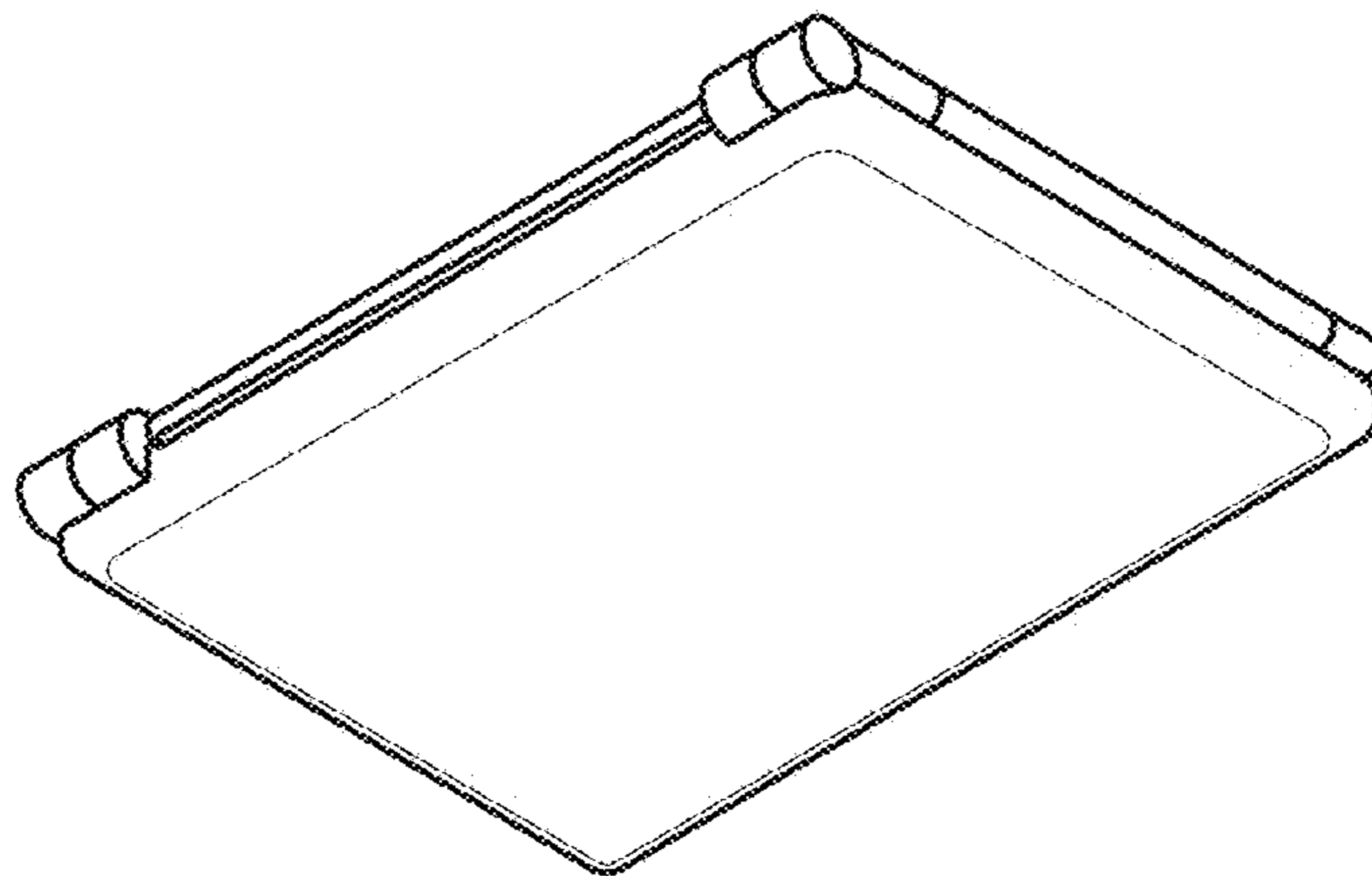


FIG.5

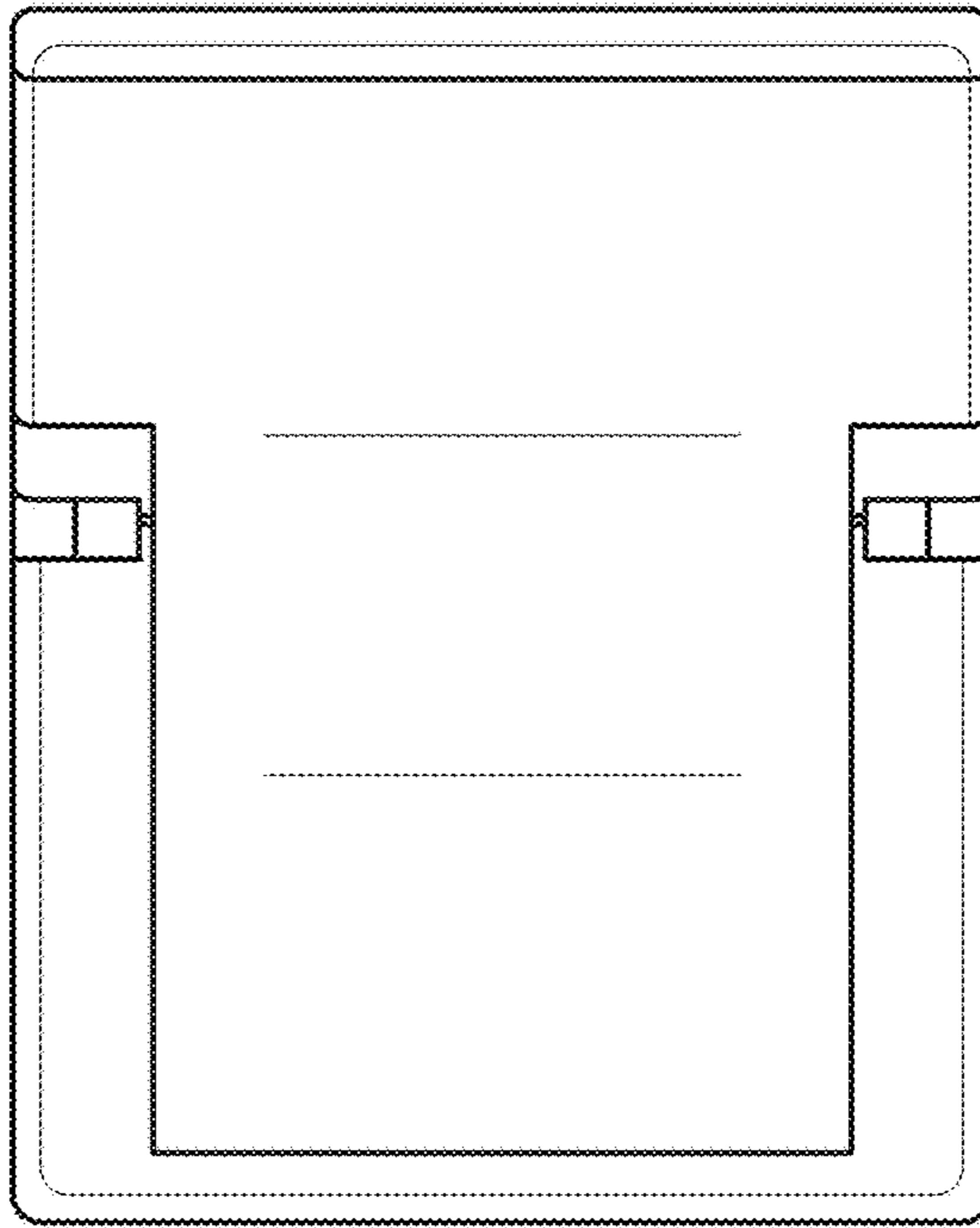


FIG.6

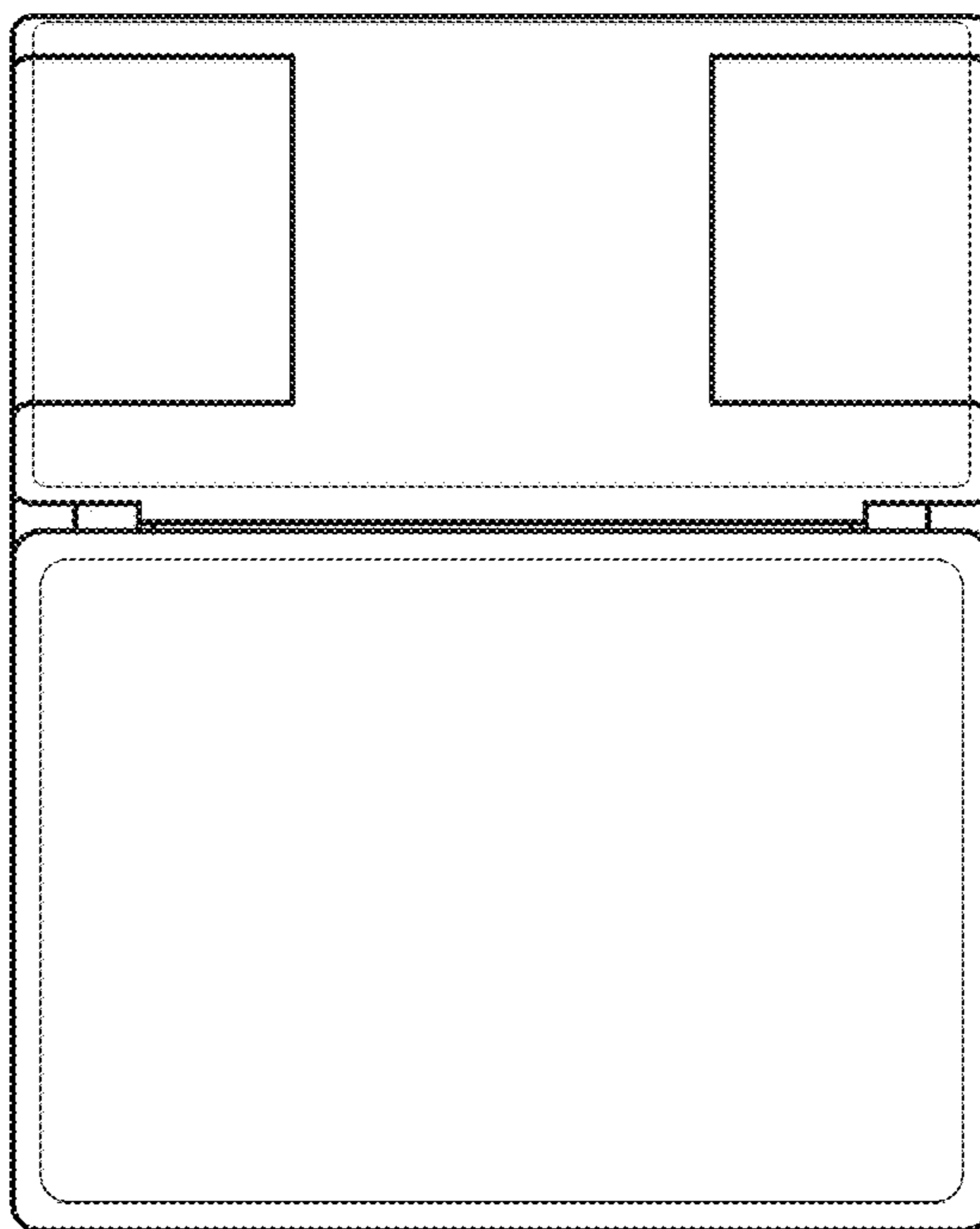


FIG.7

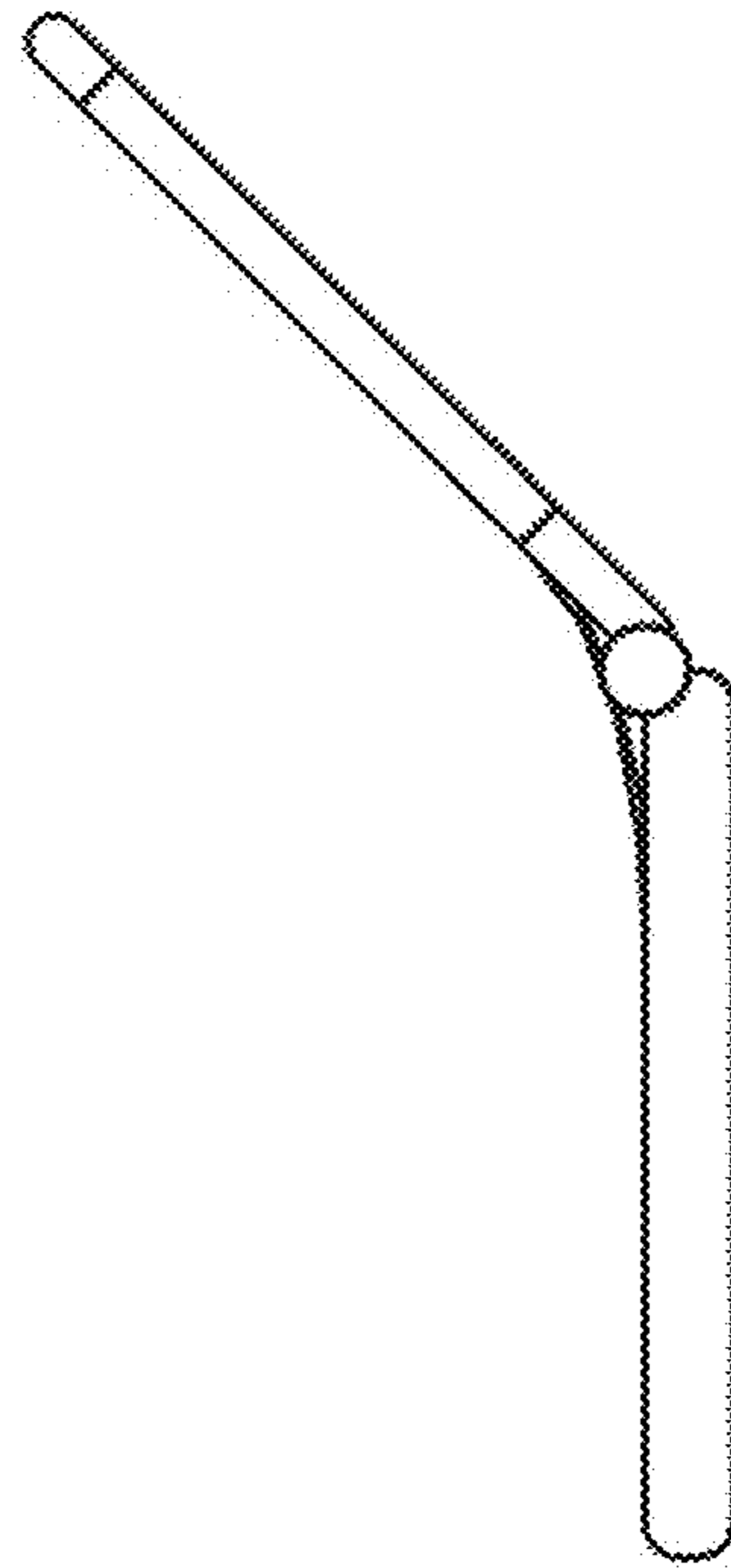


FIG.8

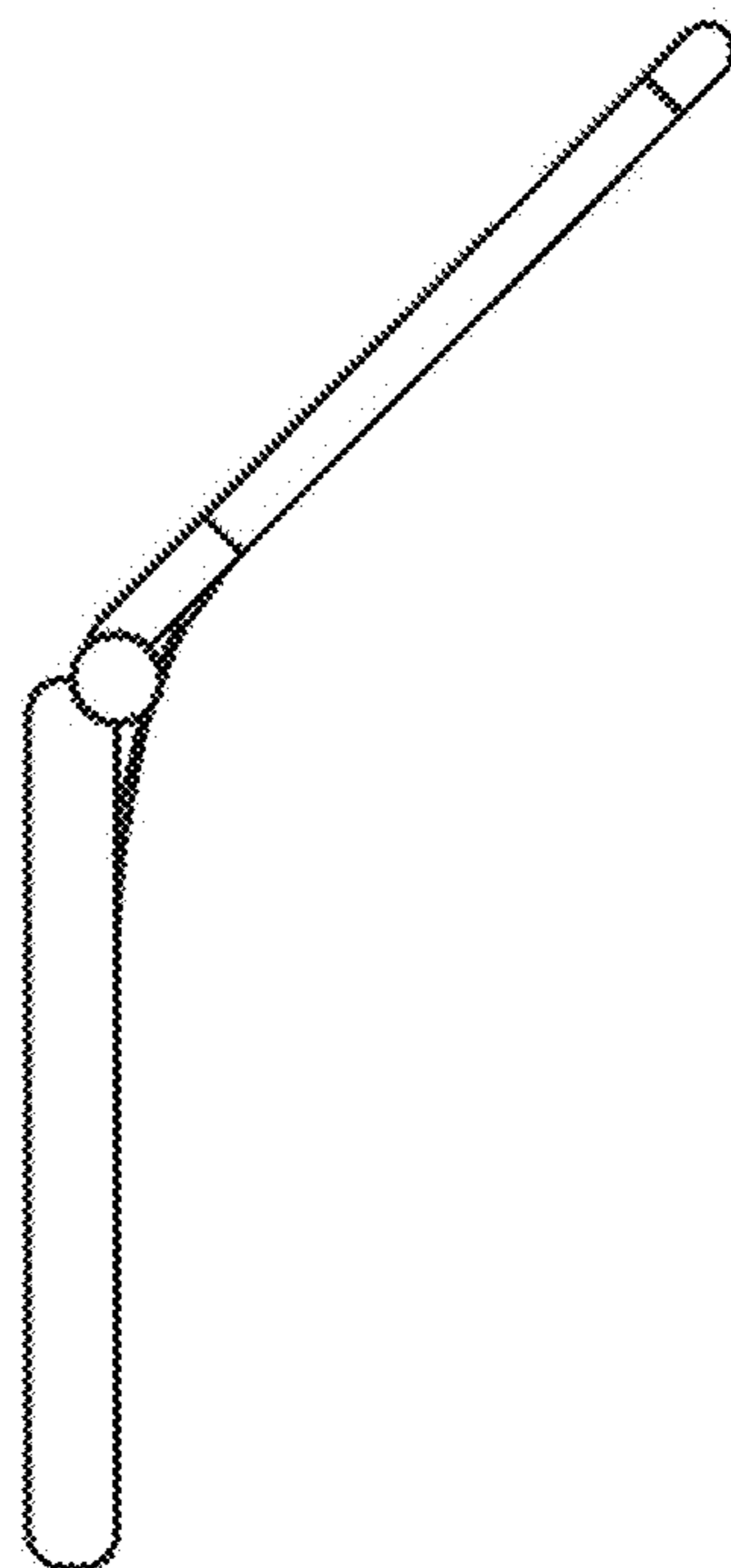


FIG.9

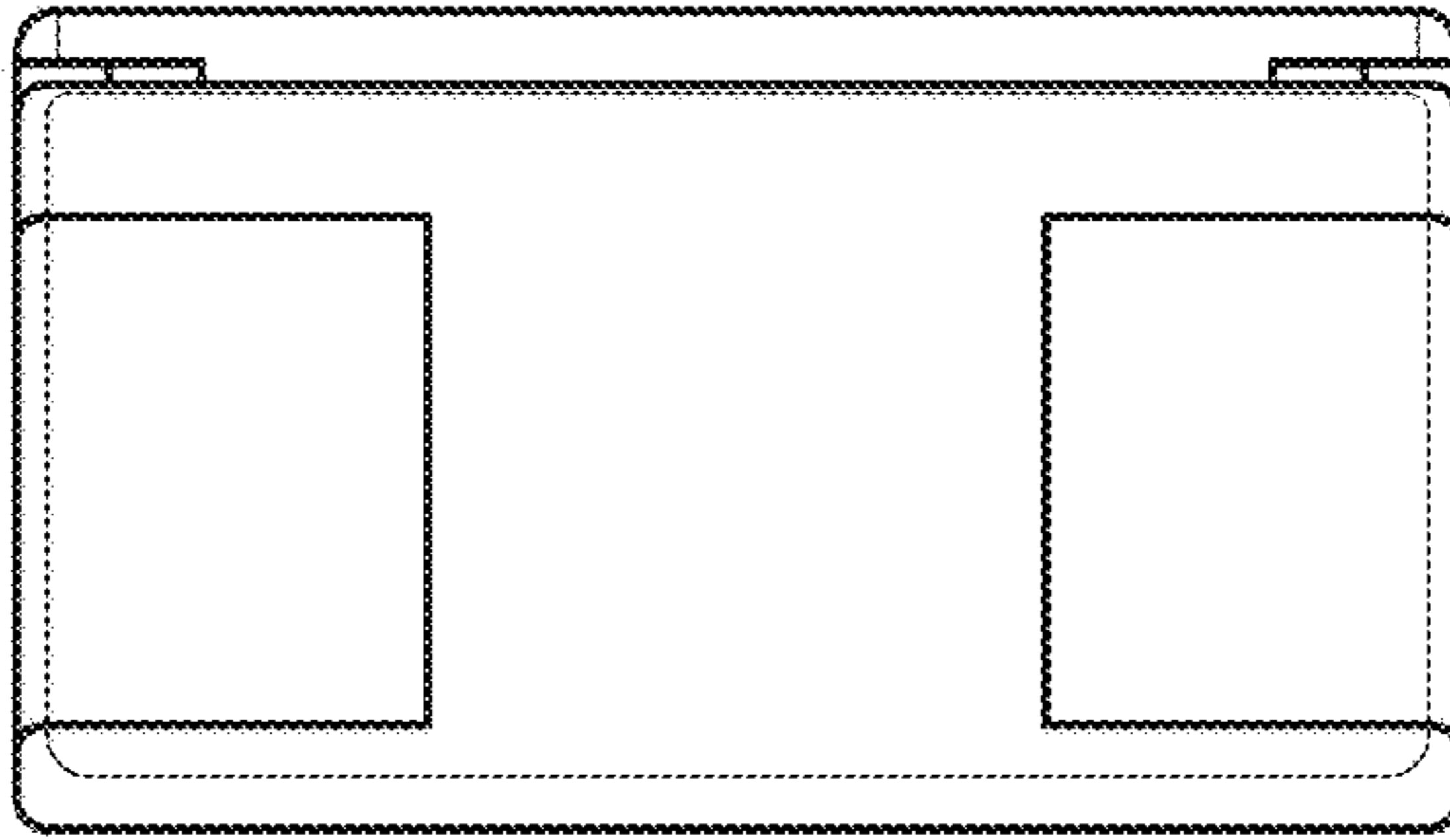


FIG.10

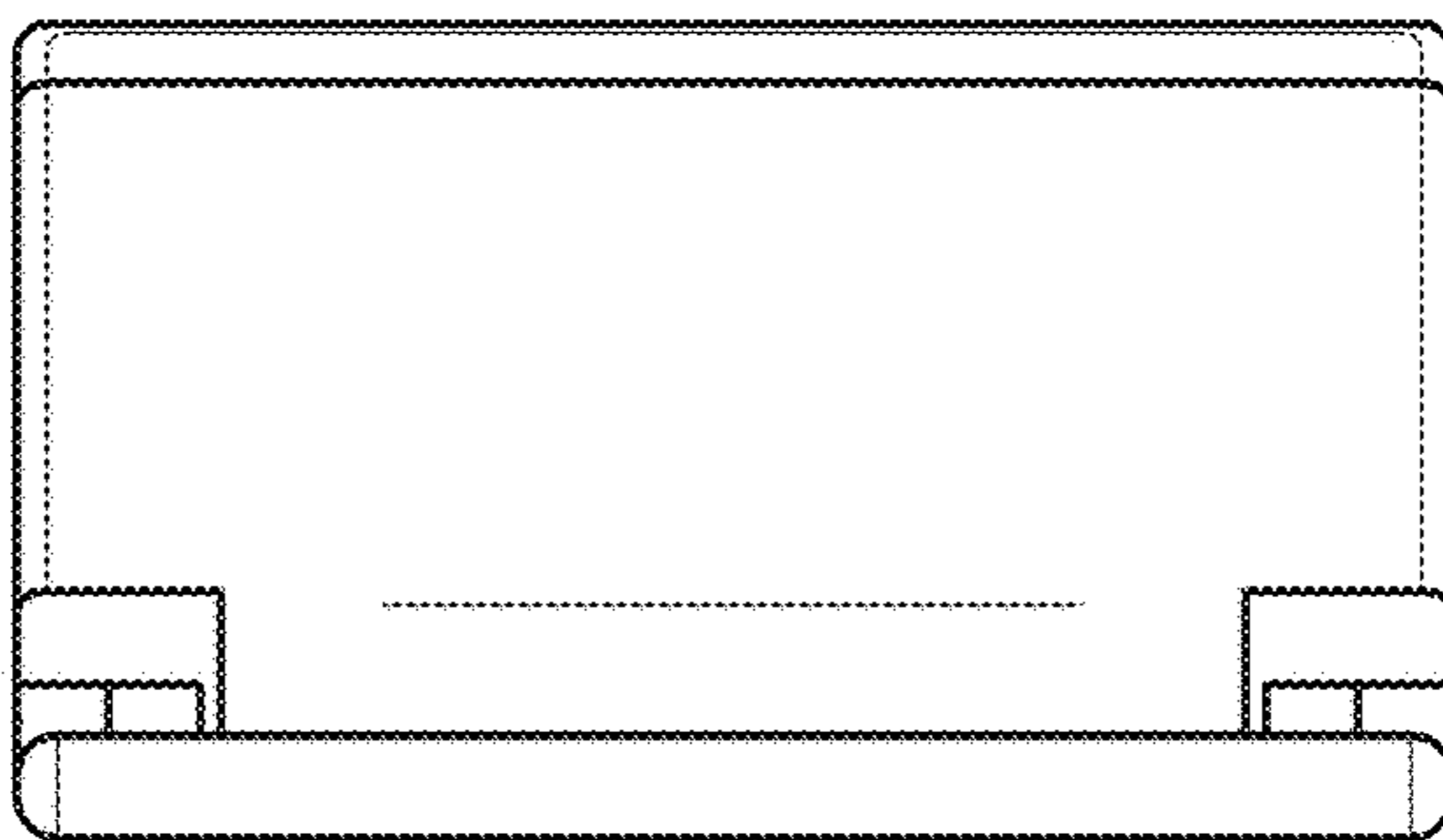


FIG.11

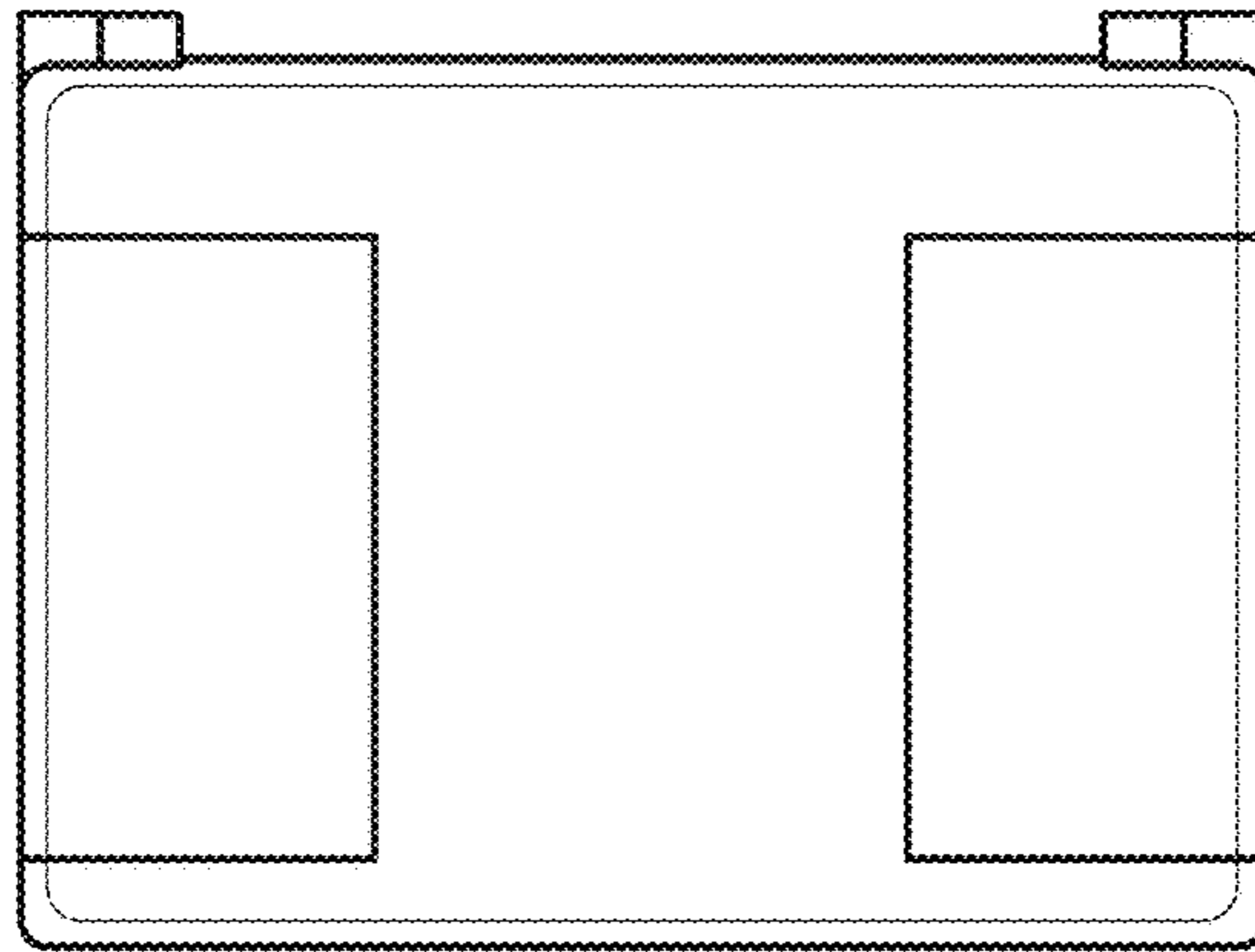


FIG.12

