



US00D846543S

(12) **United States Design Patent**  
**Chen**

(10) **Patent No.:** **US D846,543 S**

(45) **Date of Patent:** **\*\* Apr. 23, 2019**

- (54) **SUPPORT ARM FOR DEVICE HOLDER**
- (71) Applicant: **TANG YANG DIES CO., LTD.**, New Taipei (TW)
- (72) Inventor: **Hsu-Chen Chen**, New Taipei (TW)
- (73) Assignee: **TANG YANG DIES CO., LTD.**, New Taipei (TW)
- (\*\*) Term: **15 Years**
- (21) Appl. No.: **29/599,995**

- D583,370 S \* 12/2008 Grande ..... D14/253
- D588,903 S \* 3/2009 Carnevali ..... D8/355
- 7,886,903 B1 \* 2/2011 Wurzelbacher, Jr. .... G06F 1/1616  
206/320
- D645,868 S \* 9/2011 Lau ..... D14/452
- D660,845 S \* 5/2012 Schmauch ..... D14/452
- 8,366,064 B2 \* 2/2013 Chen ..... F16M 11/043  
224/416
- D688,674 S \* 8/2013 Lau ..... D14/452
- D692,440 S \* 10/2013 Tsai ..... D14/447
- D736,217 S \* 8/2015 Wang ..... D14/451
- D763,828 S \* 8/2016 Yoo ..... D14/217
- D767,577 S \* 9/2016 Kulkarni ..... D14/452

(Continued)

- (22) Filed: **Apr. 7, 2017**
- (51) **LOC (11) Cl.** ..... **14-03**
- (52) **U.S. Cl.**  
USPC ..... **D14/251**
- (58) **Field of Classification Search**  
USPC ..... D14/251–253, 447, 451–452; D8/354,  
D8/355, 373; D26/61–65; D16/214,  
D16/242–245; D13/133, 154–155, 184  
CPC .... F16M 13/022; F16M 11/041; F16M 13/02;  
F16M 11/10; F16M 13/04; F16M 13/00;  
F16M 11/14; F16M 11/06; F16M  
11/2021; F16M 11/38; F16M 11/04;  
F16M 11/18; F16M 11/22  
See application file for complete search history.

*Primary Examiner* — Cathron C Brooks  
*Assistant Examiner* — Sharon S Oum  
 (74) *Attorney, Agent, or Firm* — Chung-Ming Shih;  
 HDLS IPR Services

(56) **References Cited**

U.S. PATENT DOCUMENTS

- D313,901 S \* 1/1991 Bende ..... D14/452
- D331,985 S \* 12/1992 Schaffer ..... D26/140
- 5,845,885 A \* 12/1998 Carnevali ..... F16M 11/14  
248/181.1
- 5,897,417 A \* 4/1999 Grey ..... A63H 33/062  
403/340
- 6,467,227 B2 \* 10/2002 Elmer ..... E04F 13/0855  
403/83
- D491,574 S \* 6/2004 Hung ..... D14/452
- 7,025,315 B2 \* 4/2006 Carnevali ..... F16C 11/0604  
248/181.1
- D520,511 S \* 5/2006 Piazza ..... D14/452

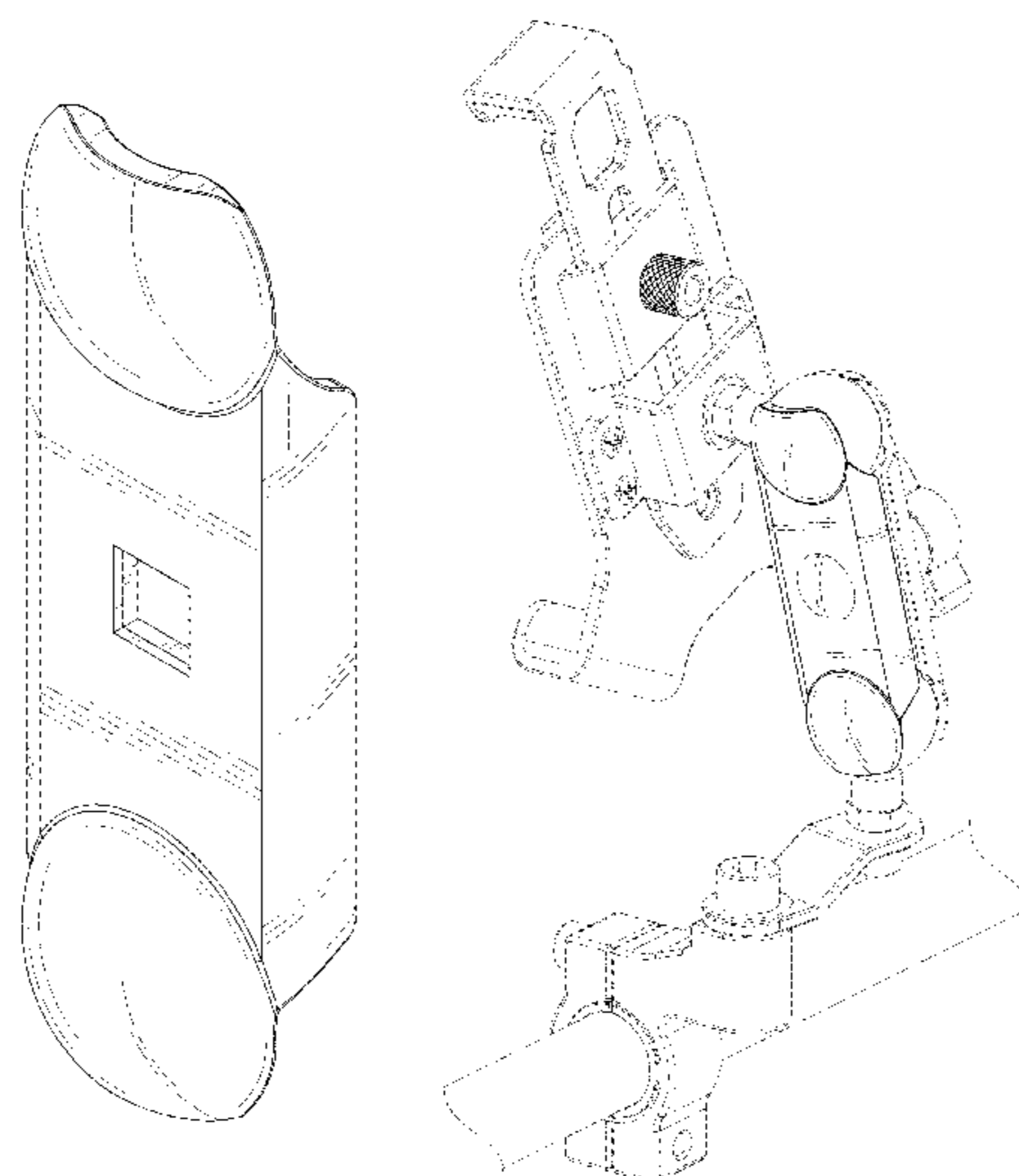
(57) **CLAIM**

The ornamental design for a support arm for device holder, as shown and described.

**DESCRIPTION**

FIG. 1 is a perspective view of a support arm for device holder showing my new design;  
 FIG. 2 is a front view thereof;  
 FIG. 3 is a rear view thereof;  
 FIG. 4 is a left side view thereof;  
 FIG. 5 is a right side view thereof;  
 FIG. 6 is a top view thereof;  
 FIG. 7 is a bottom view thereof;  
 FIG. 8 is a rear perspective view thereof; and,  
 FIG. 9 is another front perspective view thereof, but shown with broken line environmental subject matter, and in a position of use.  
 The broken lines illustrate the environment of the article and form no part of the claimed design.

**1 Claim, 8 Drawing Sheets**



(56)

**References Cited**

U.S. PATENT DOCUMENTS

D779,477 S \* 2/2017 Carnevali ..... D14/253  
D786,884 S \* 5/2017 Borloz ..... D14/452  
D803,804 S \* 11/2017 Kott ..... D13/183  
D805,085 S \* 12/2017 Xiang ..... D14/452  
D824,750 S \* 8/2018 Carnevali ..... D8/355  
D829,203 S \* 9/2018 Chen ..... D14/253  
10,088,096 B2 \* 10/2018 Minn ..... F16M 11/14  
2006/0000957 A1 \* 1/2006 Carnevali ..... F16M 11/14  
248/181.1  
2018/0037172 A1 \* 2/2018 Nelson ..... B60R 11/04

\* cited by examiner

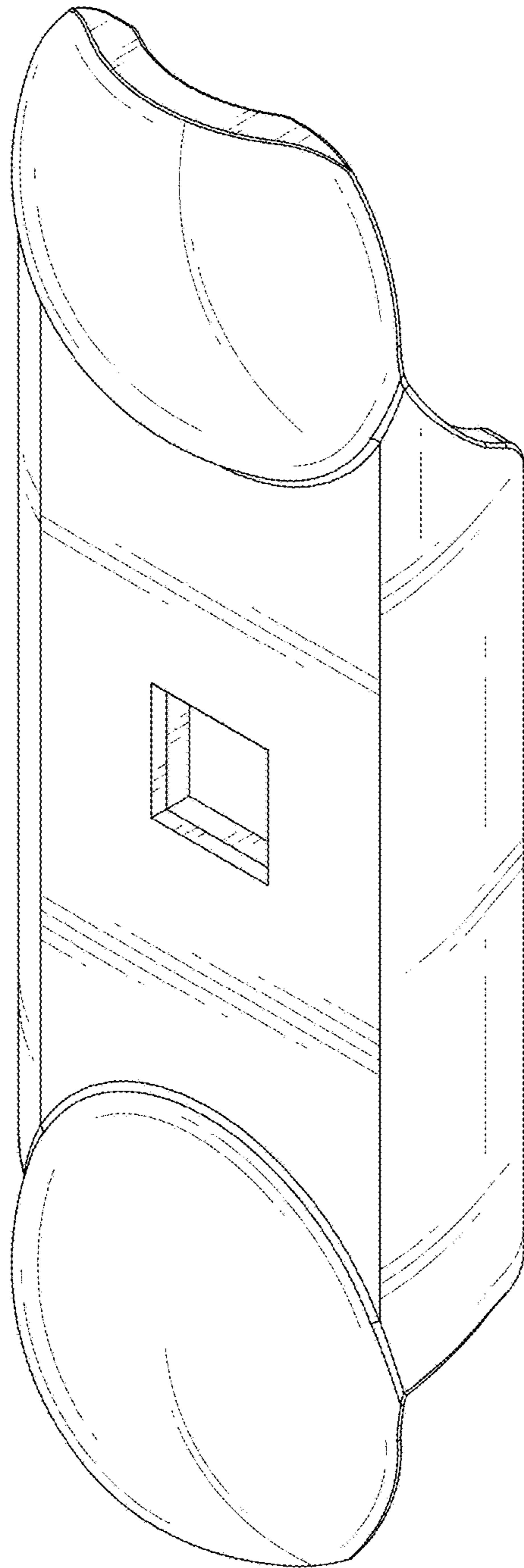


FIG.1

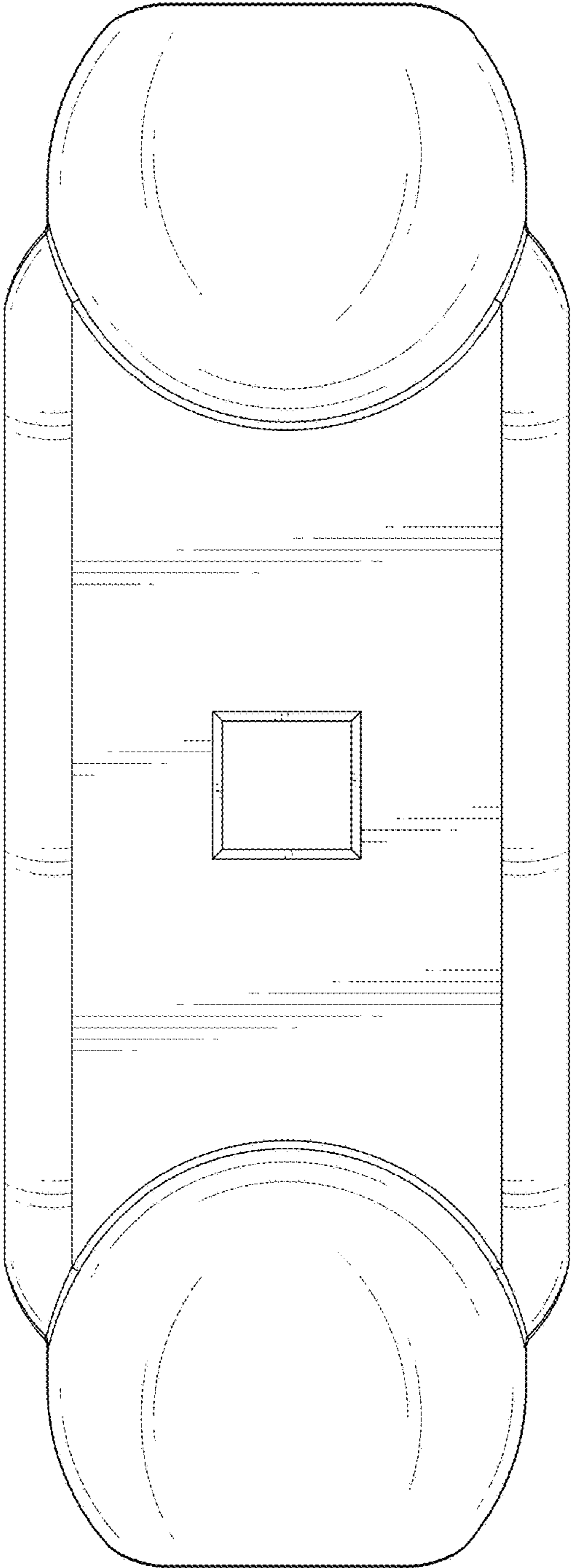


FIG.2

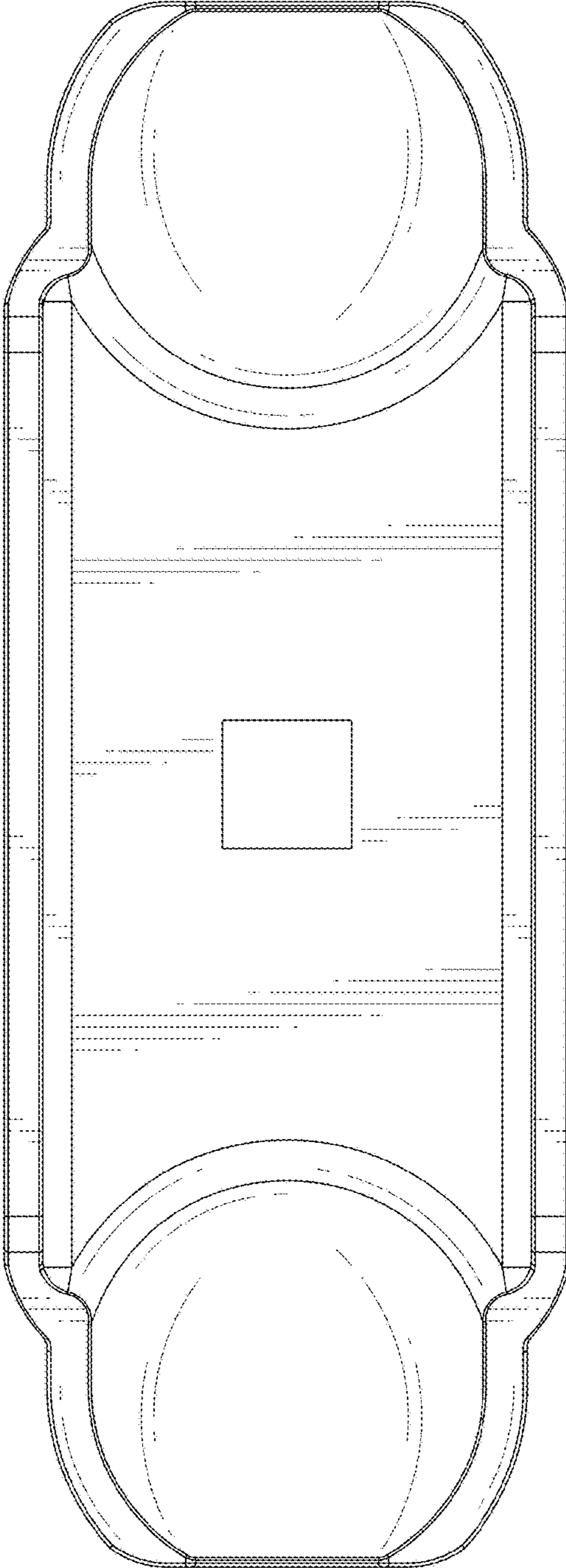


FIG.3

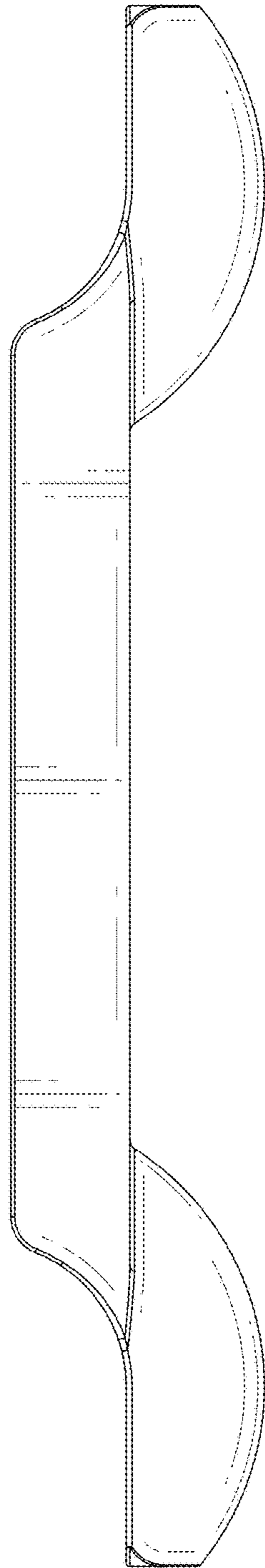


FIG.4

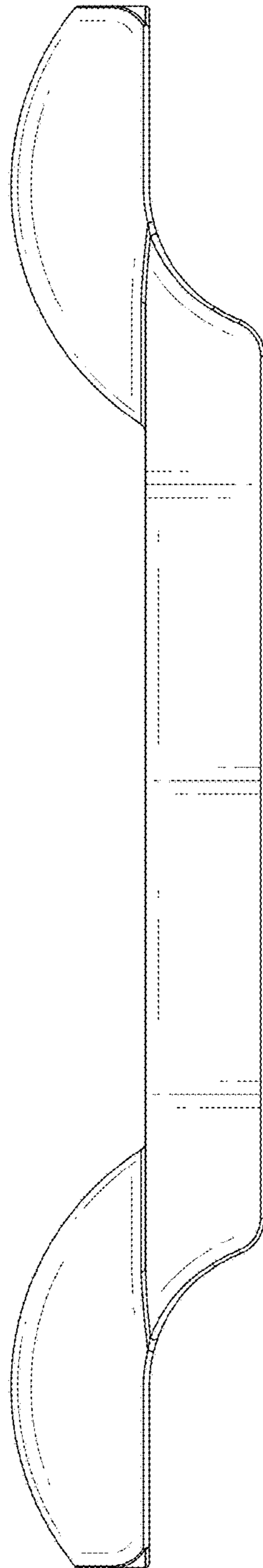


FIG.5

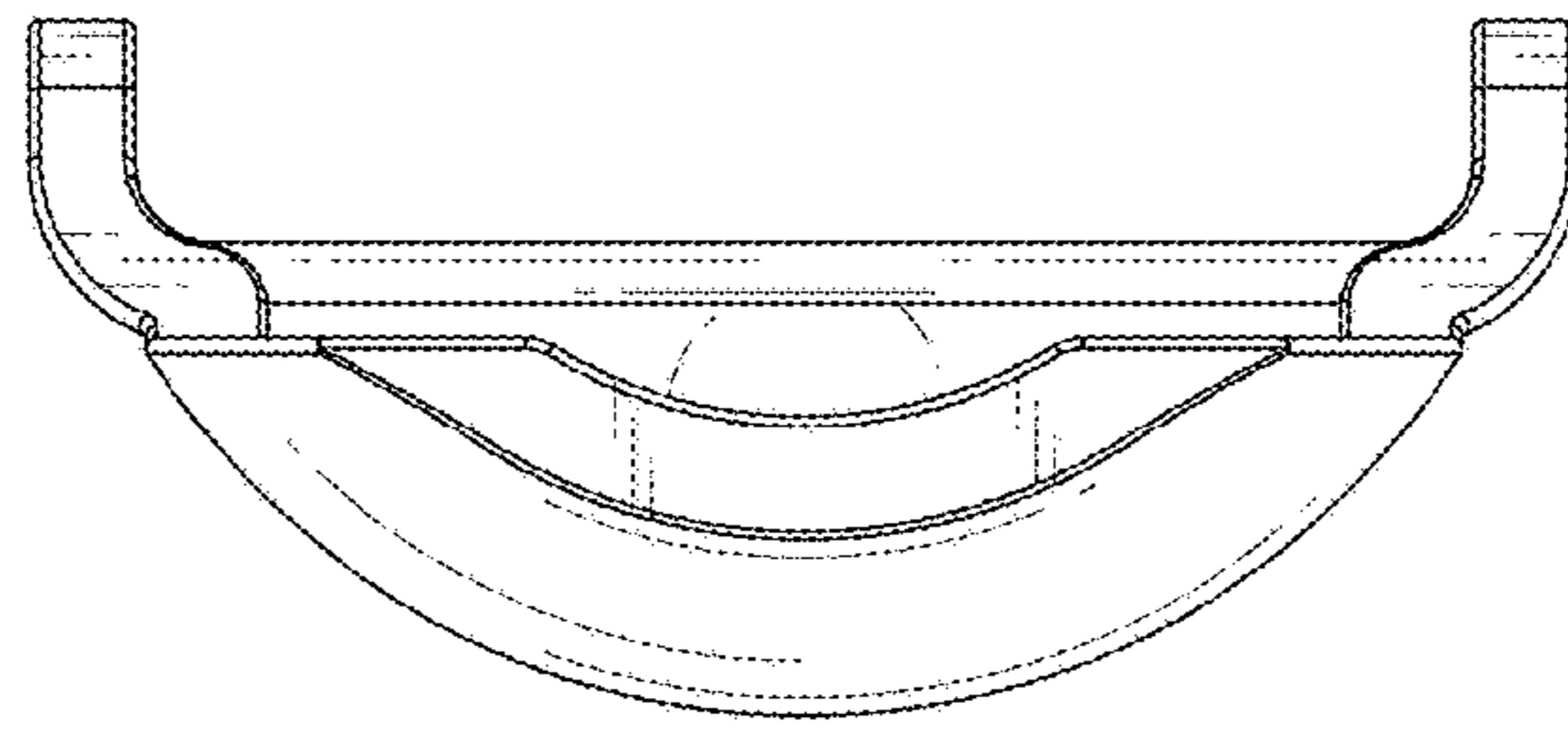


FIG. 6

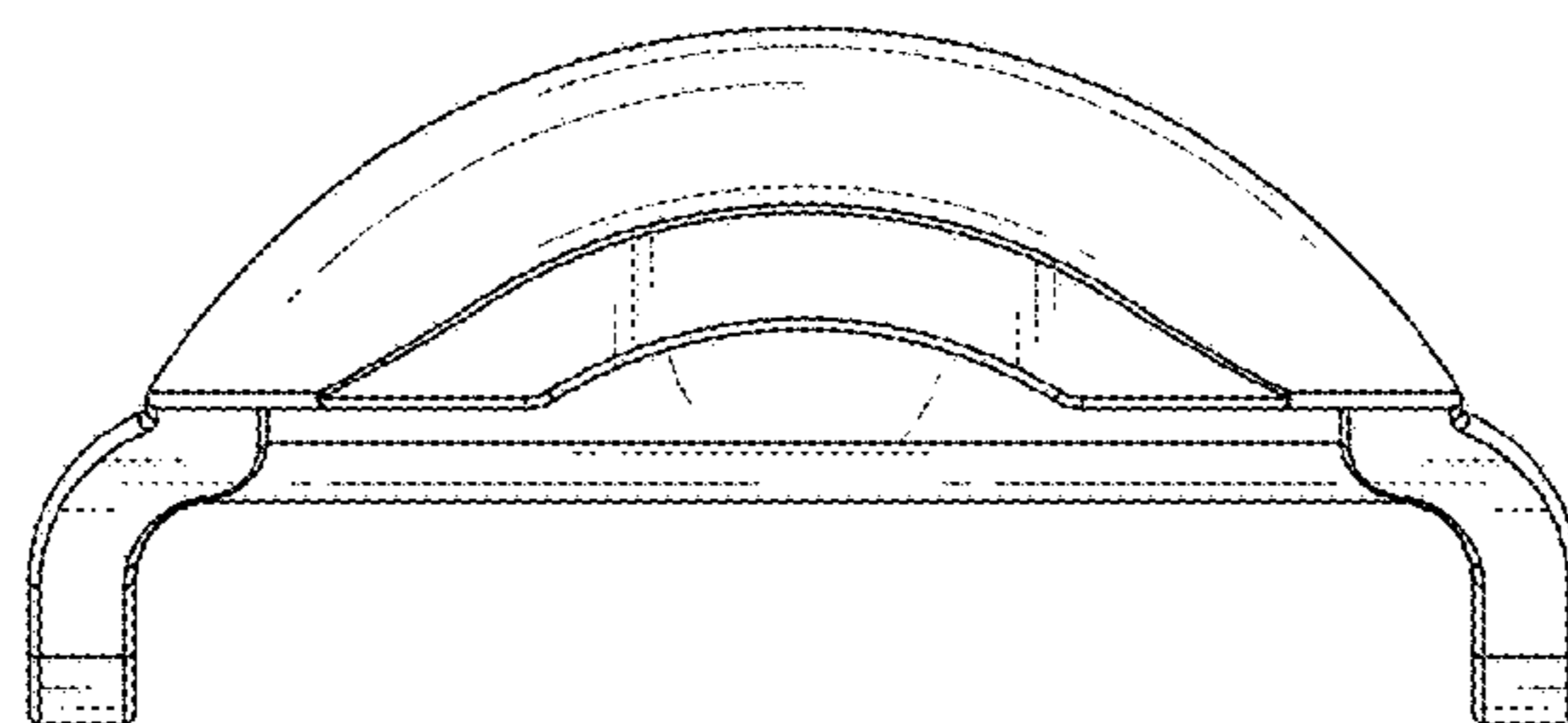


FIG. 7



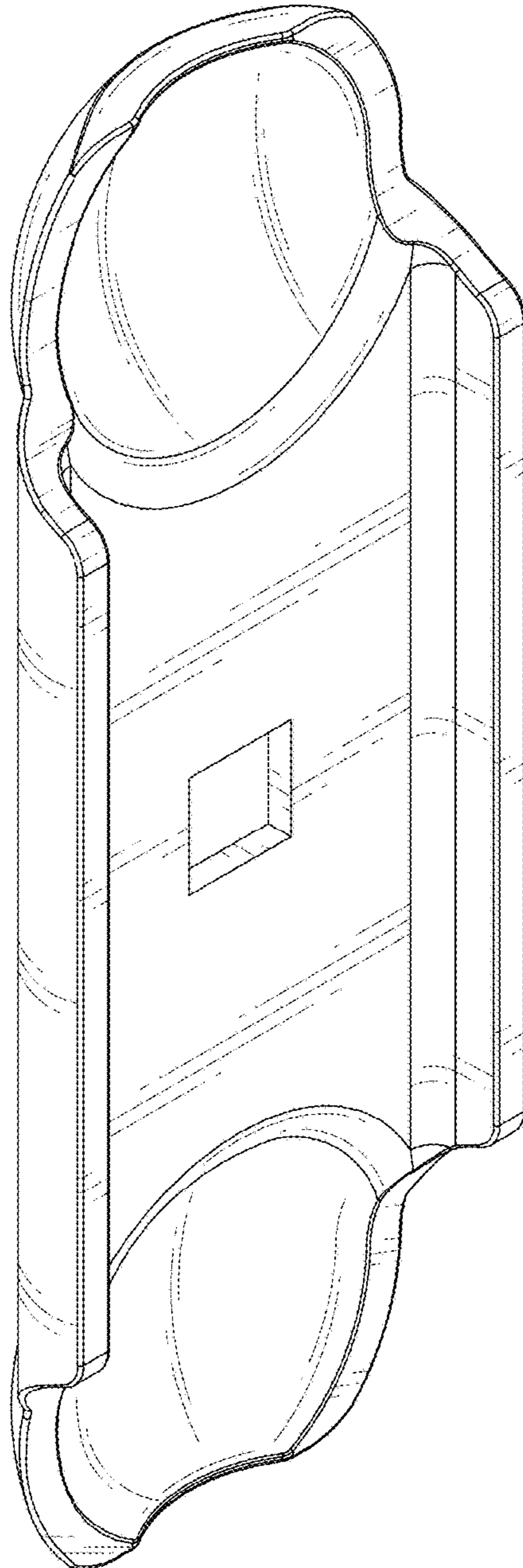


FIG.8

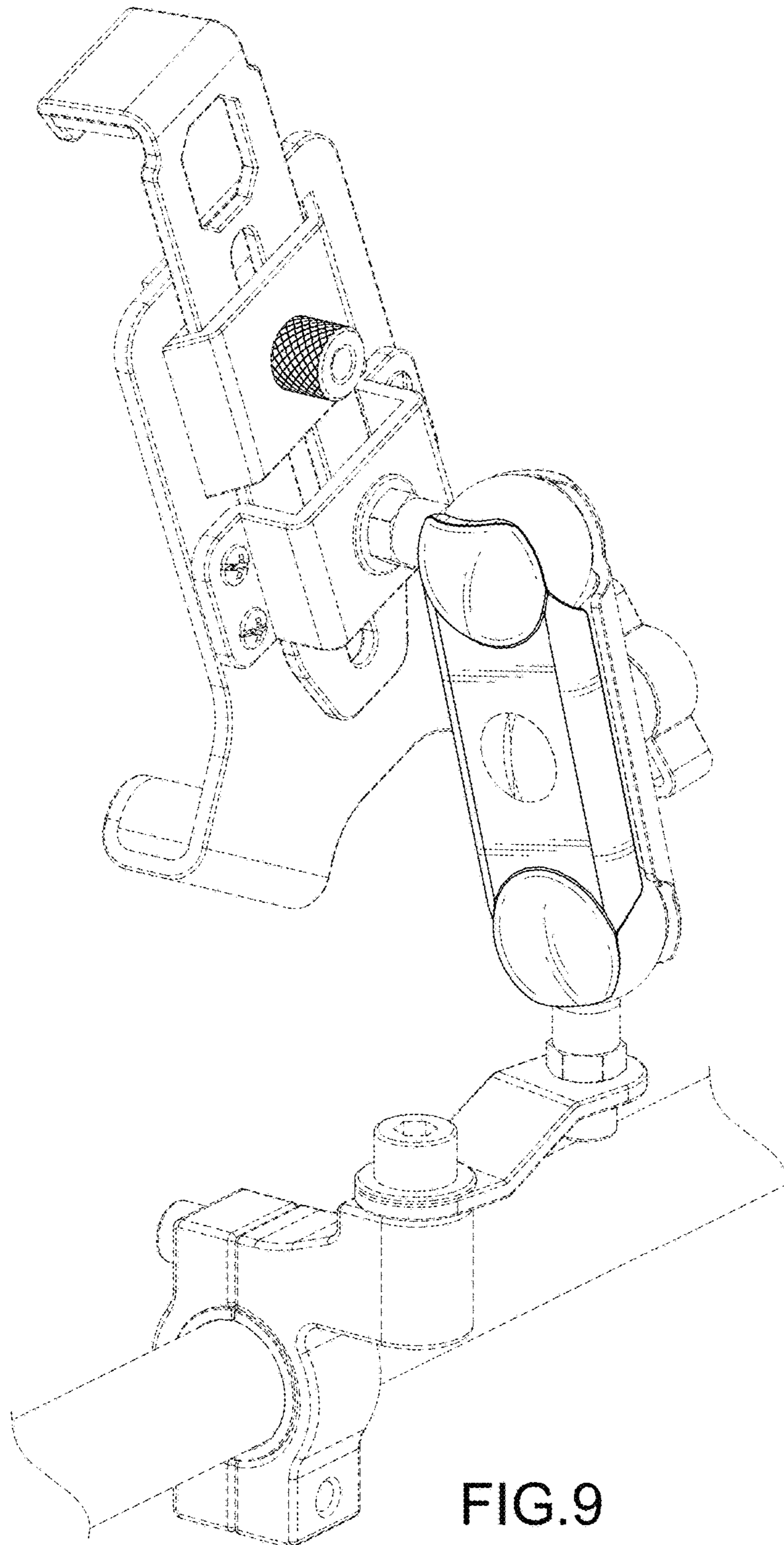


FIG. 9