



US00D846538S

(12) **United States Design Patent** (10) **Patent No.:** **US D846,538 S**
Wild (45) **Date of Patent:** **** Apr. 23, 2019**

- (54) **NETWORKING DEVICE**
- (71) Applicant: **TRIDONIC GMBH & CO. KG**,
Dornbirn (AT)
- (72) Inventor: **Emanuel Wild**, Lustenau (AT)
- (73) Assignee: **TRIDONIC GMBH & CO. KG**,
Dornbirn (AT)
- (**) Term: **15 Years**
- (21) Appl. No.: **29/577,148**
- (22) Filed: **Sep. 9, 2016**

D660,828 S * 5/2012 Petsch D14/240
 D738,869 S * 9/2015 Groener D14/240
 D764,408 S * 8/2016 Spiegel D13/110

FOREIGN PATENT DOCUMENTS

JP d1545098 * 3/2016

OTHER PUBLICATIONS

LampShopOnline. <URL: <https://www.lampshoponline.com/tridonic-pca-2x26-32-42-tc-eco.html>> visited Nov. 7, 2017. Tridonic high frequency dimmable ballast.*

* cited by examiner

Primary Examiner — Thomas Johannes
Assistant Examiner — Lauren D McVey
 (74) *Attorney, Agent, or Firm* — Scully Scott Murphy and Presser

(30) **Foreign Application Priority Data**

Mar. 11, 2016 (EM) 003 024 181

(51) **LOC (11) Cl.** **14-03**

(52) **U.S. Cl.**
USPC **D14/240**

(58) **Field of Classification Search**
USPC D14/242, 240, 355, 357, 358, 125,
D14/140-140.9, 155, 137, 139, 243, 239,
D14/433, 314, 496, 188, 348, 351, 356
CPC H04L 12/00; H03K 17/00; H04W 88/00;
H04W 88/005; H04W 88/02; H04W
88/08; H04W 88/085; H04W 88/10;
H04W 88/12; H04W 88/14; H04B 1/38
See application file for complete search history.

(57) **CLAIM**

The ornamental design for a networking device, as shown and described.

DESCRIPTION

FIG. 1 is a rear perspective view of a networking device showing my new design;
 FIG. 2 is a front perspective view thereof;
 FIG. 3 is a front elevation view thereof;
 FIG. 4 is a rear elevation view thereof;
 FIG. 5 is a top plan view thereof;
 FIG. 6 is a side elevation view thereof; and,
 FIG. 7 is an opposite side view thereof.

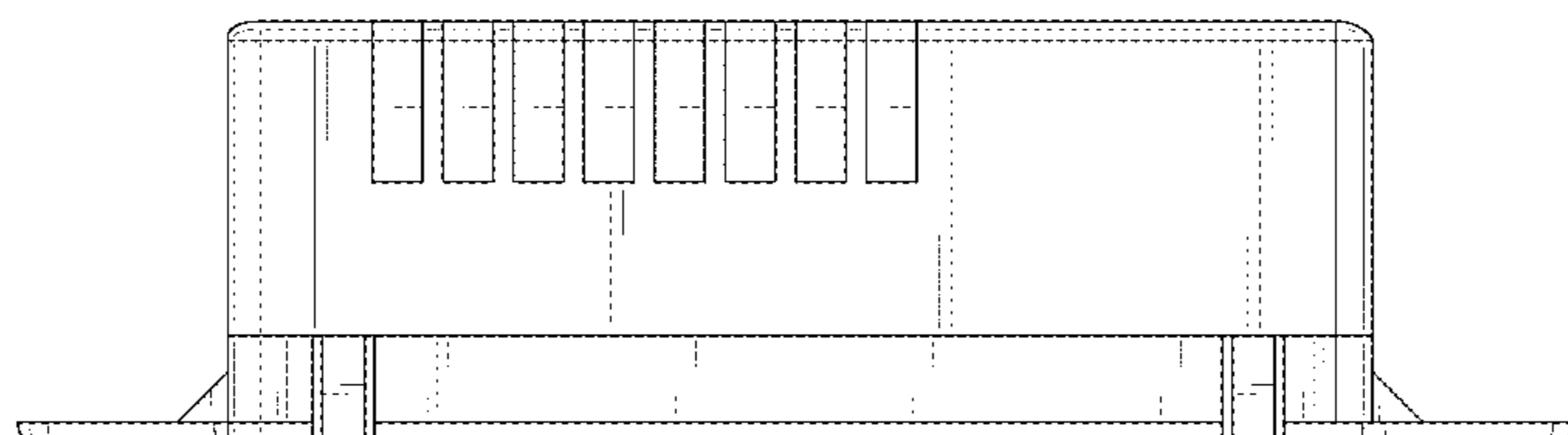
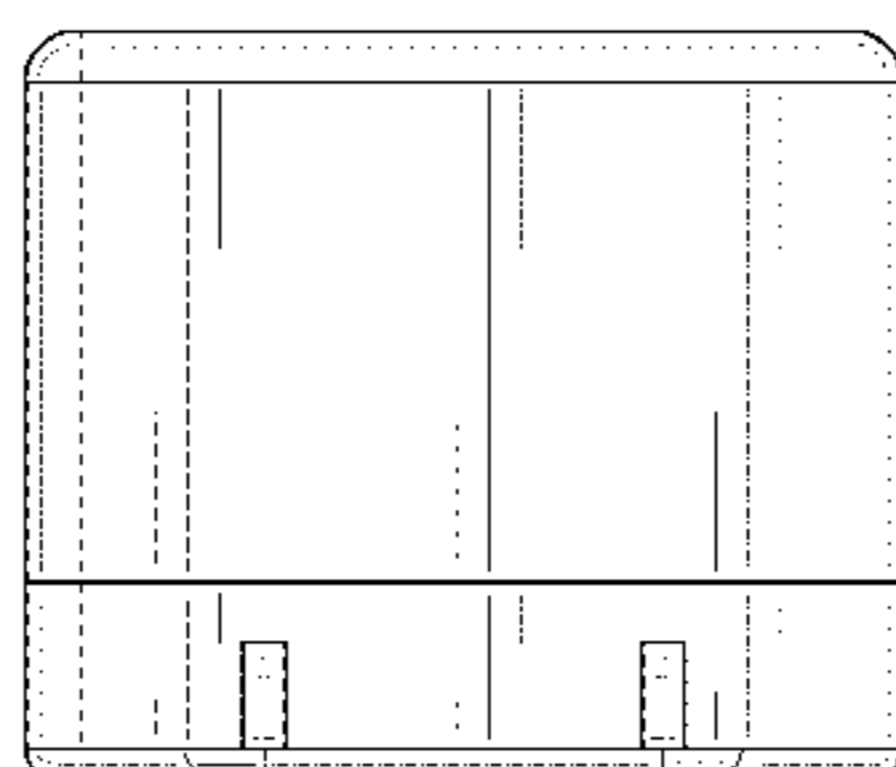
The wire frame lines shown throughout the views are intended to indicate surface contour.
 The broken lines are included for the purpose of illustrating portions of the article that form no part of the claimed design.
 The bottom side of the article forms no part of the claimed design.

(56) **References Cited**

U.S. PATENT DOCUMENTS

D281,493 S * 11/1985 Prager D13/162.1
 D304,929 S * 12/1989 Bench D13/126
 D346,378 S * 4/1994 Smylie D13/147
 D355,196 S * 2/1995 Nakamura D13/184
 D356,291 S * 3/1995 Kawamura D13/110
 D356,994 S * 4/1995 Tamaki D13/110
 D361,310 S * 8/1995 Kawamura D13/110
 D362,839 S * 10/1995 Tamaki D13/110
 D374,430 S * 10/1996 Loh D13/162
 D604,241 S * 11/2009 Haberle D13/123

1 Claim, 7 Drawing Sheets



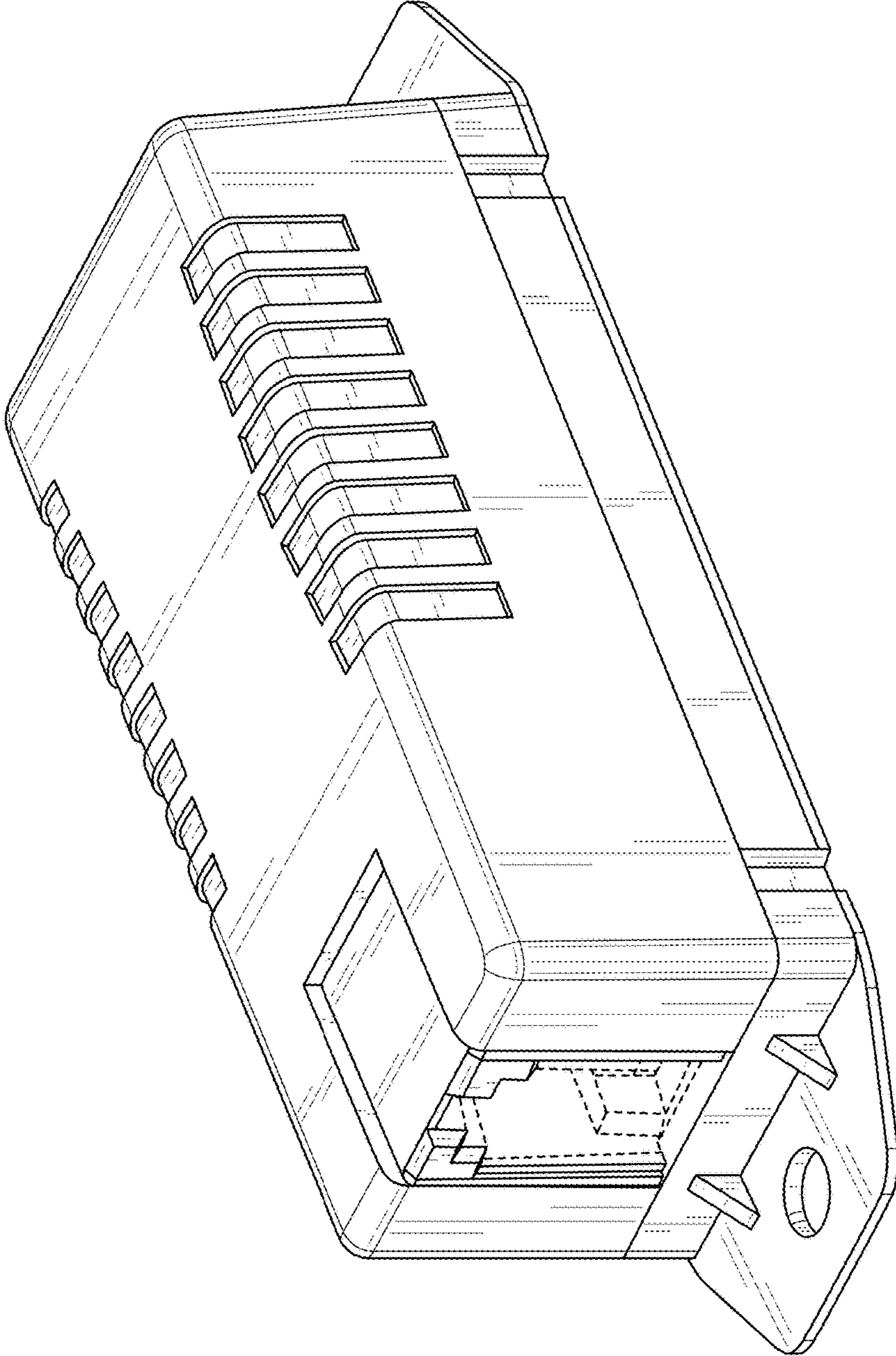


FIG. 1

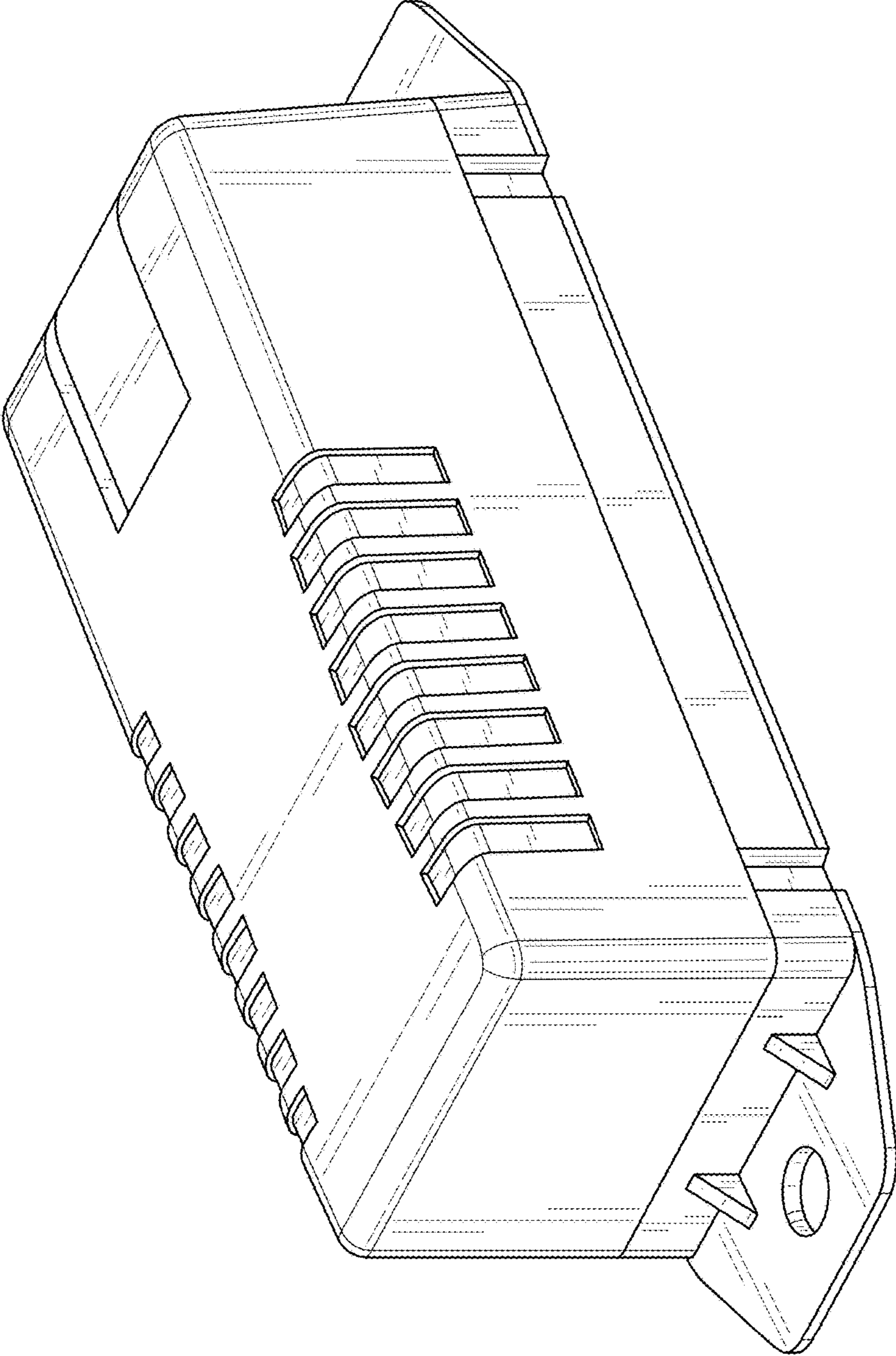


FIG. 2

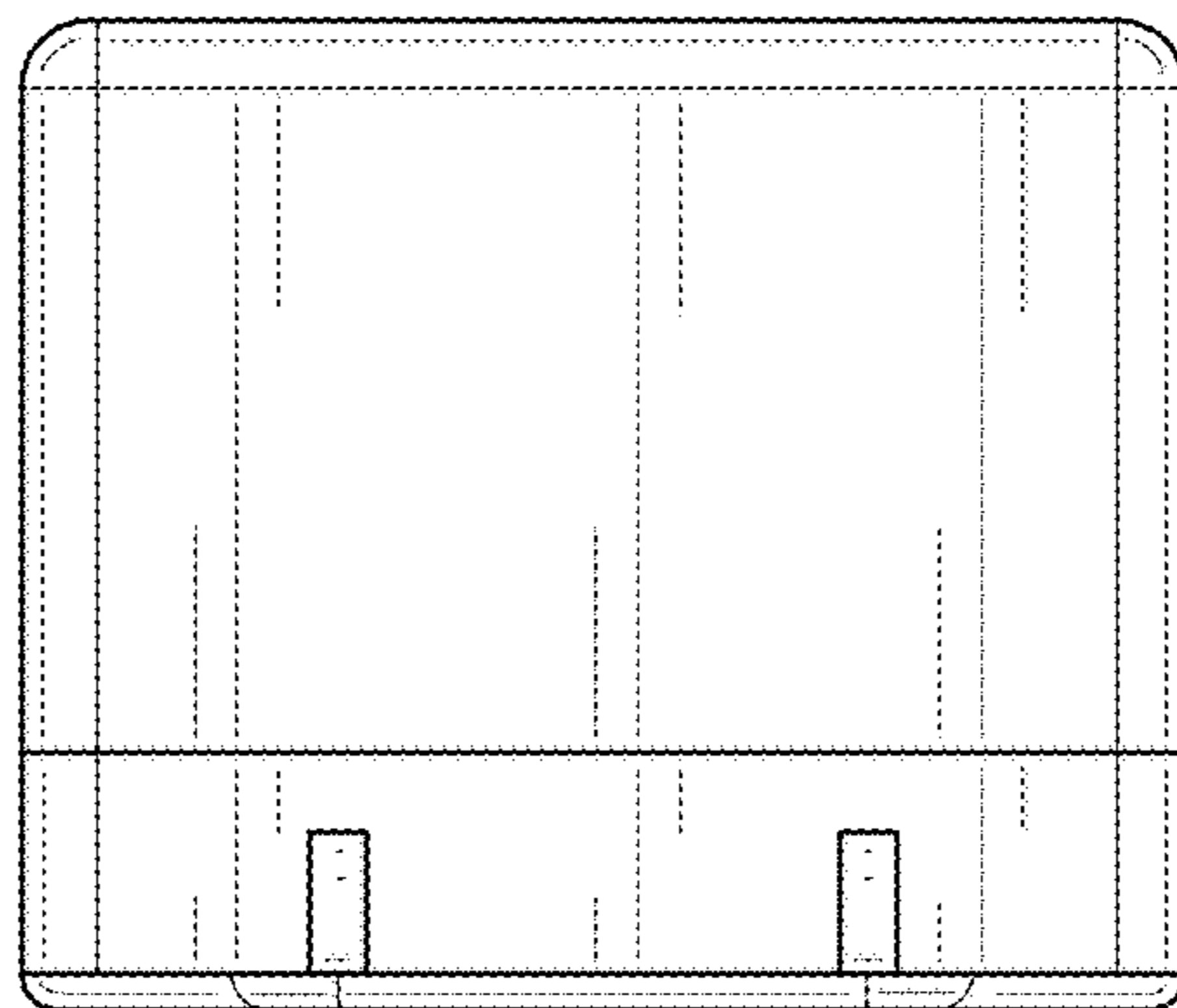


FIG. 3

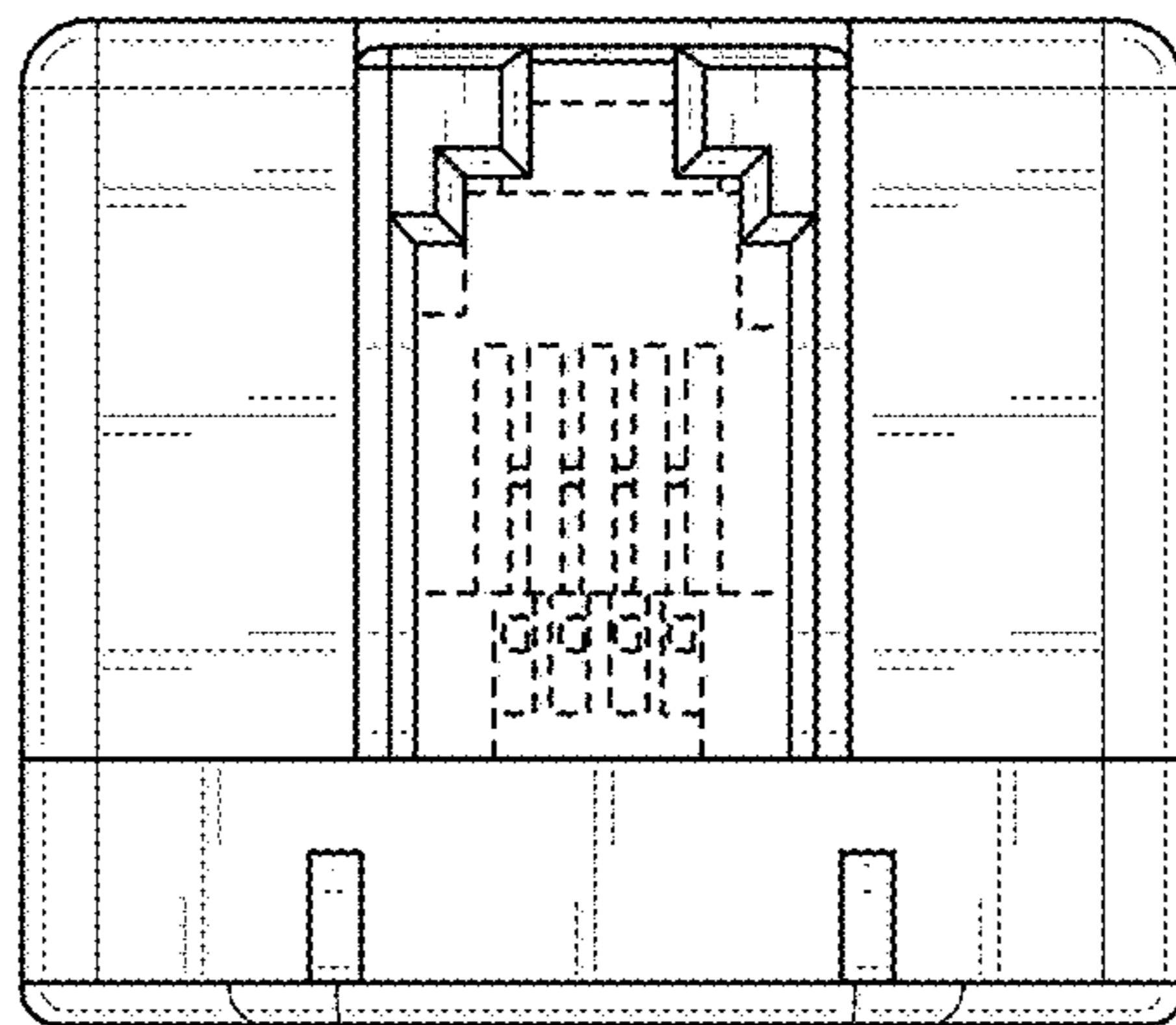


FIG. 4

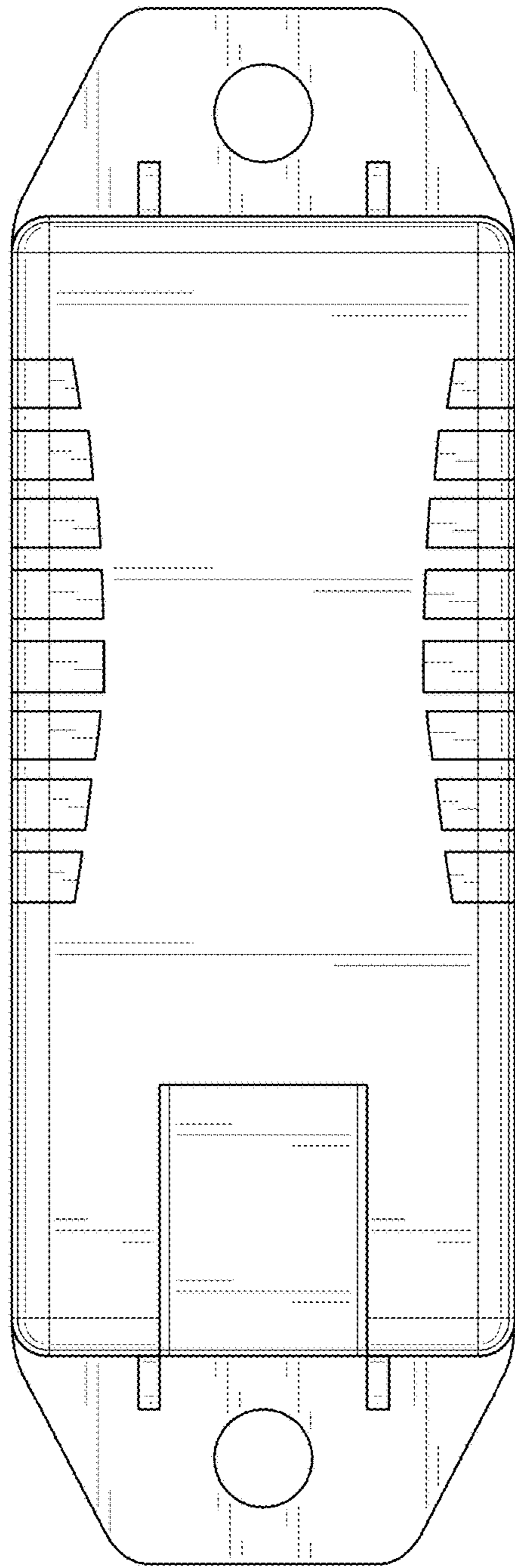


FIG. 5

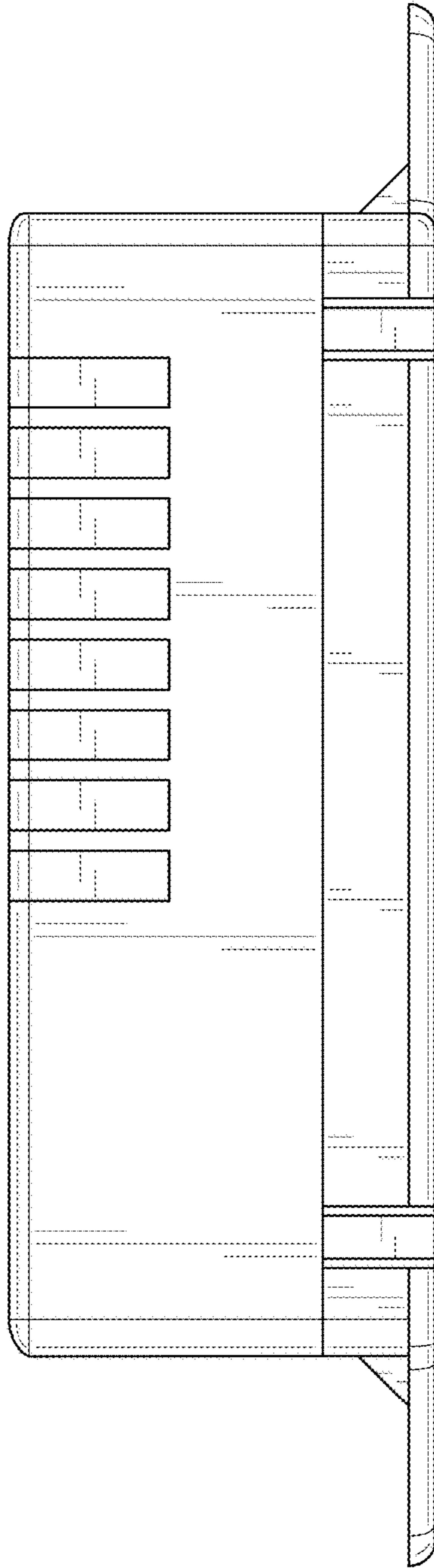


FIG. 6

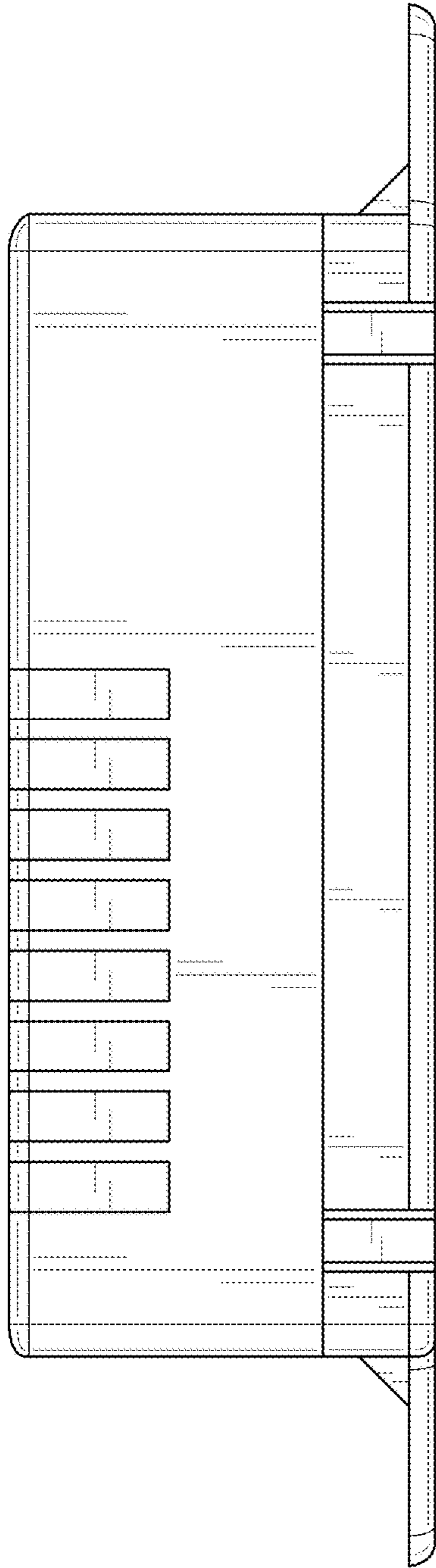


FIG. 7