

US00D846537S

(12) **United States Design Patent** (10) **Patent No.:** **US D846,537 S**  
**Wild** (45) **Date of Patent:** **\*\* \*Apr. 23, 2019**

- (54) **NETWORKING DEVICE**
- (71) Applicant: **TRIDONIC GMBH & CO. KG**,  
Dornbirn (AT)
- (72) Inventor: **Emanuel Wild**, Lustenau (AT)
- (73) Assignee: **TTIDONIC GMBH CO. KG**,  
Dornbirn (AT)
- (\*) Notice: This patent is subject to a terminal disclaimer.
- (\*\*) Term: **15 Years**
- (21) Appl. No.: **29/577,145**
- (22) Filed: **Sep. 9, 2016**
- (30) **Foreign Application Priority Data**  
Mar. 11, 2016 (EM) ..... 003 024 181
- (51) **LOC (11) Cl.** ..... **14-03**
- (52) **U.S. Cl.**  
USPC ..... **D14/240**
- (58) **Field of Classification Search**  
USPC ..... D14/242, 240, 355, 357, 358, 125,  
D14/140-140.9, 155, 137, 139, 243, 239,  
D14/433, 314, 496, 188, 348, 351, 356  
CPC ..... H04L 12/00; H03K 17/00; H04W 88/00;  
H04W 88/005; H04W 88/02; H04W  
88/08; H04W 88/085; H04W 88/10;  
H04W 88/12; H04W 88/14; H04B 1/38  
See application file for complete search history.

(56) **References Cited**

**U.S. PATENT DOCUMENTS**

- D408,823 S \* 4/1999 Kirby ..... D13/184
- D490,080 S \* 5/2004 Alviar ..... D13/123
- D598,013 S \* 8/2009 Ju ..... D14/240
- D630,632 S \* 1/2011 Puls ..... D14/240
- D650,394 S \* 12/2011 Seoc ..... D14/496

- D686,201 S \* 7/2013 Lee ..... D14/314
- D705,201 S \* 5/2014 Isaacs ..... D14/240
- D730,328 S \* 5/2015 Chun ..... D14/230
- D730,880 S \* 6/2015 Nagata ..... D14/240
- D757,697 S \* 5/2016 Dubrule ..... D14/240
- D766,218 S \* 9/2016 Yang ..... D14/218

(Continued)

**FOREIGN PATENT DOCUMENTS**

CN 301633644 \* 8/2011

**OTHER PUBLICATIONS**

LampShopOnline. <URL: <https://www.lampshoponline.com/tridonic-pca-2x26-32-42-tc-eco.html>> visited Nov. 7, 2017. Tridonic high frequency dimmable ballast.\*

*Primary Examiner* — Bridget L Eland  
*Assistant Examiner* — Lauren McVey

(74) *Attorney, Agent, or Firm* — Scully Scott Murphy and Presser; Frank Digiglio

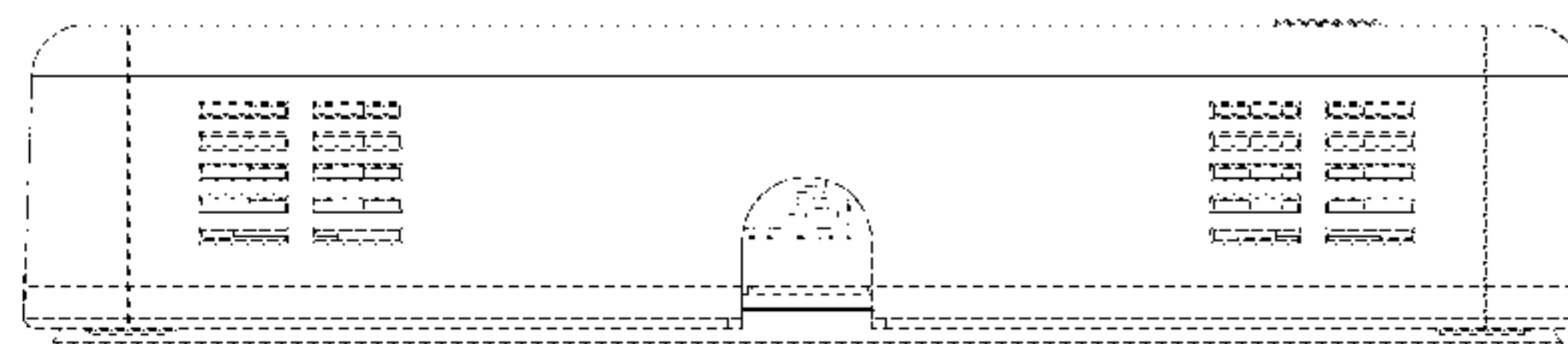
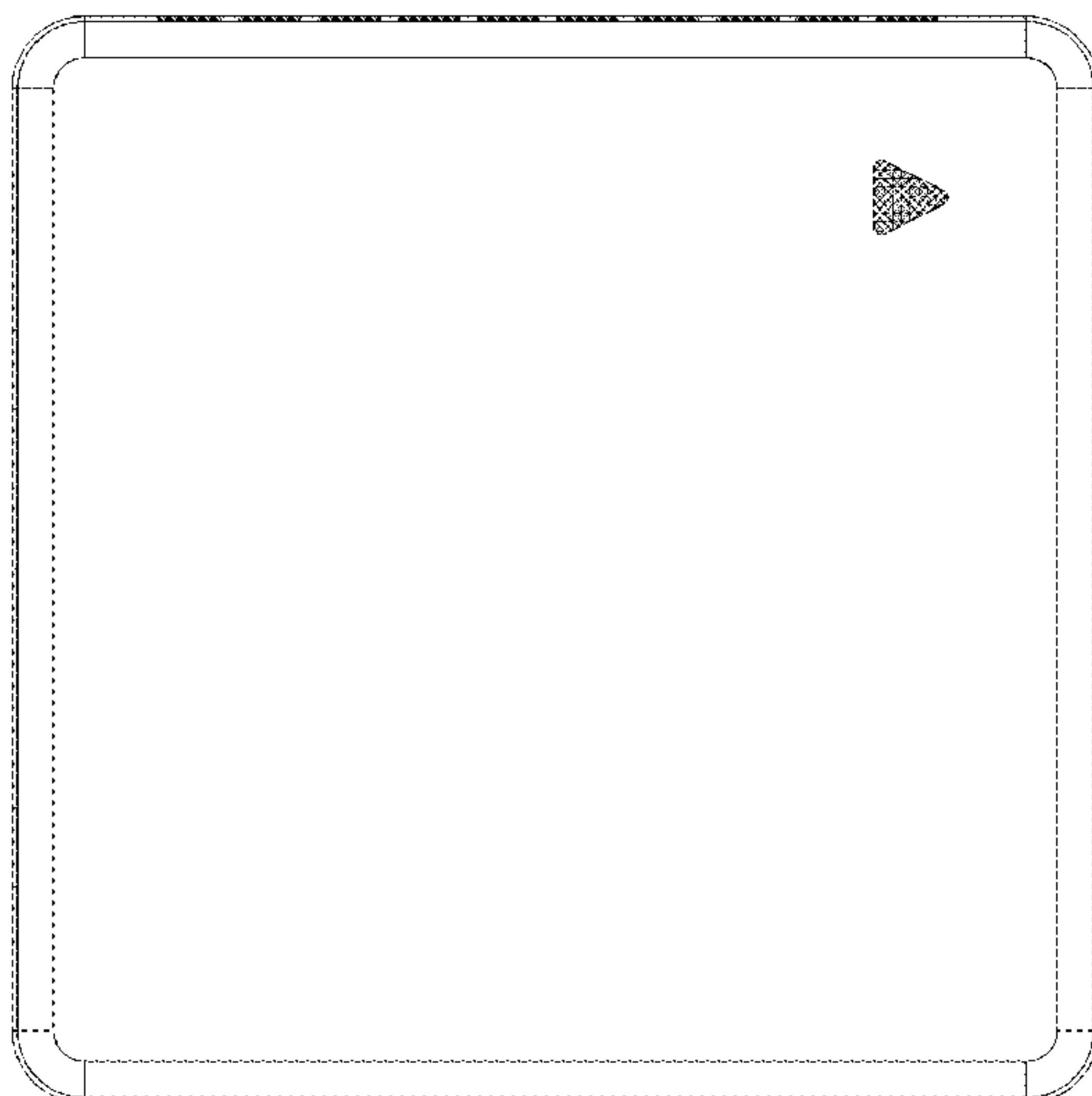
(57) **CLAIM**

The ornamental design for a networking device, as shown and described.

**DESCRIPTION**

FIG. 1 is a perspective view of the networking device showing my new and ornamental design; FIG. 2 is an alternate perspective view thereof; FIG. 3 is a bottom view thereof; FIG. 4 is a top view thereof; FIG. 5 is a side view thereof; FIG. 6 is an alternate side view thereof; and, FIG. 7 is an alternate side view thereof. The broken lines in the views are included for the purpose of illustrating portions of the networking device that form no part of the claimed design. In addition, the central rear side surface that can only be seen in the FIG. 4 view, opposite the triangle structure, forms no part of the claimed design.

**1 Claim, 7 Drawing Sheets**



(56)

**References Cited**

U.S. PATENT DOCUMENTS

D780,731 S \* 3/2017 Kim ..... D14/242  
D789,360 S \* 6/2017 Moon ..... D14/240

\* cited by examiner

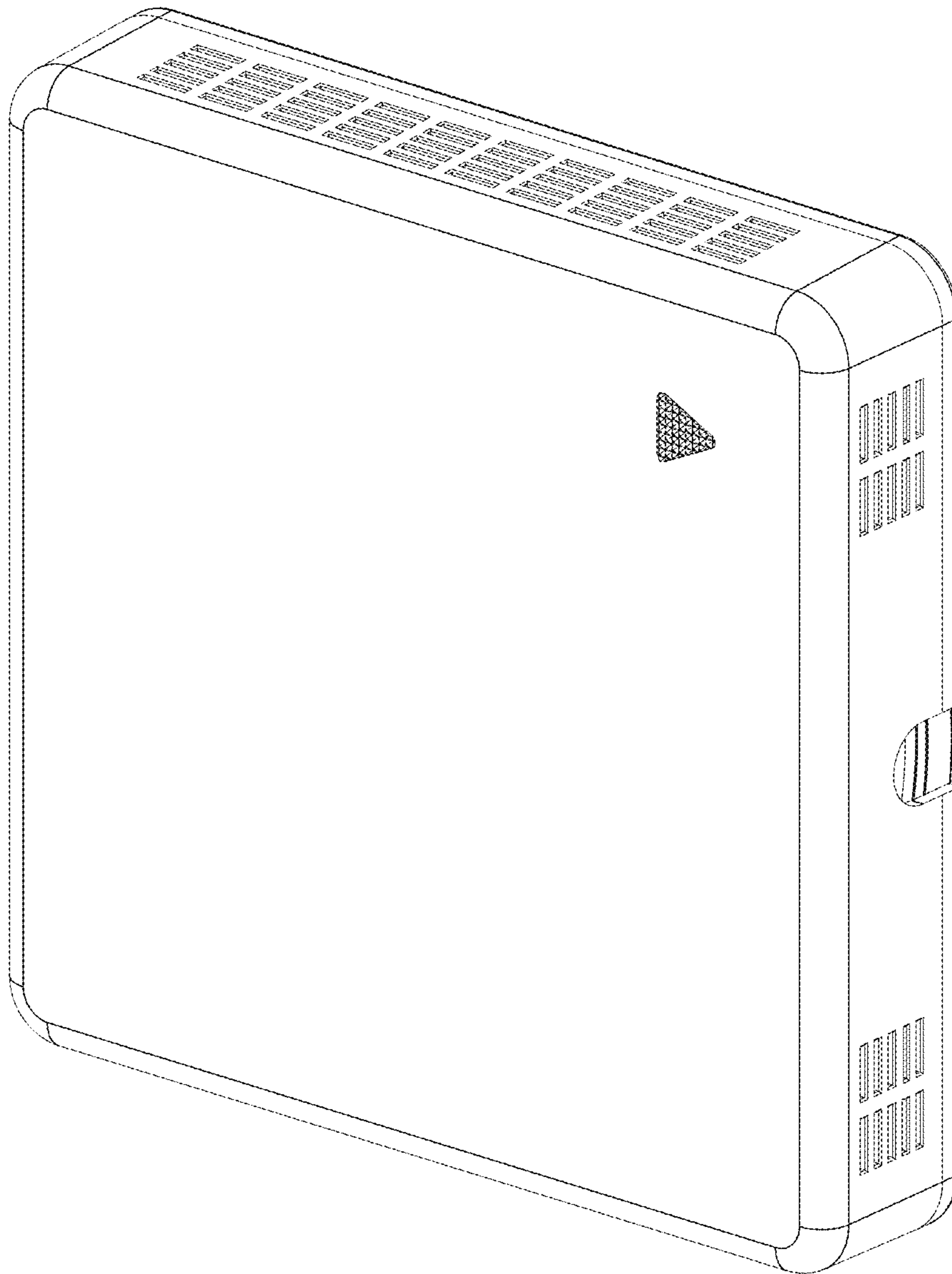


FIG. 1

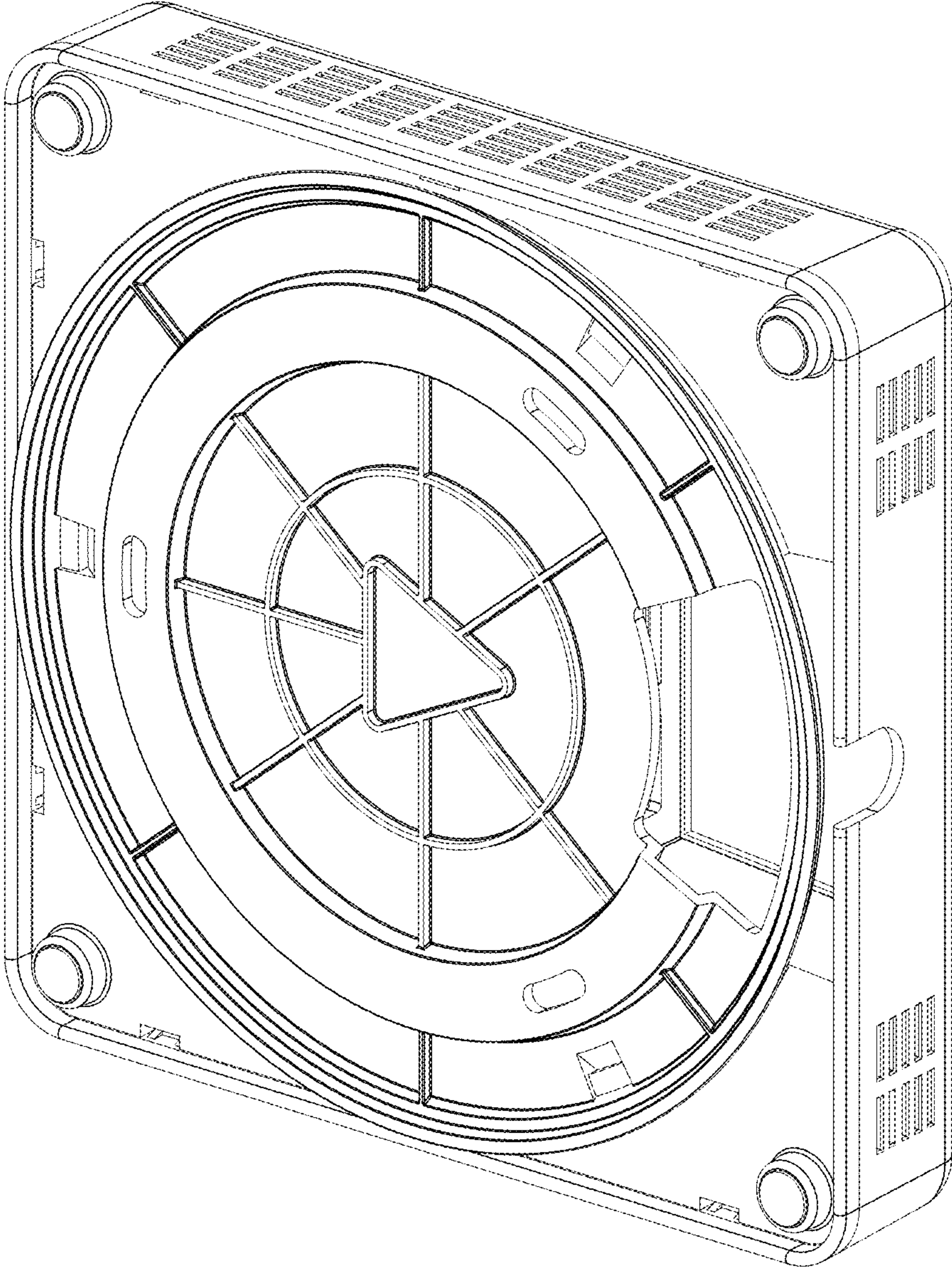


FIG. 2



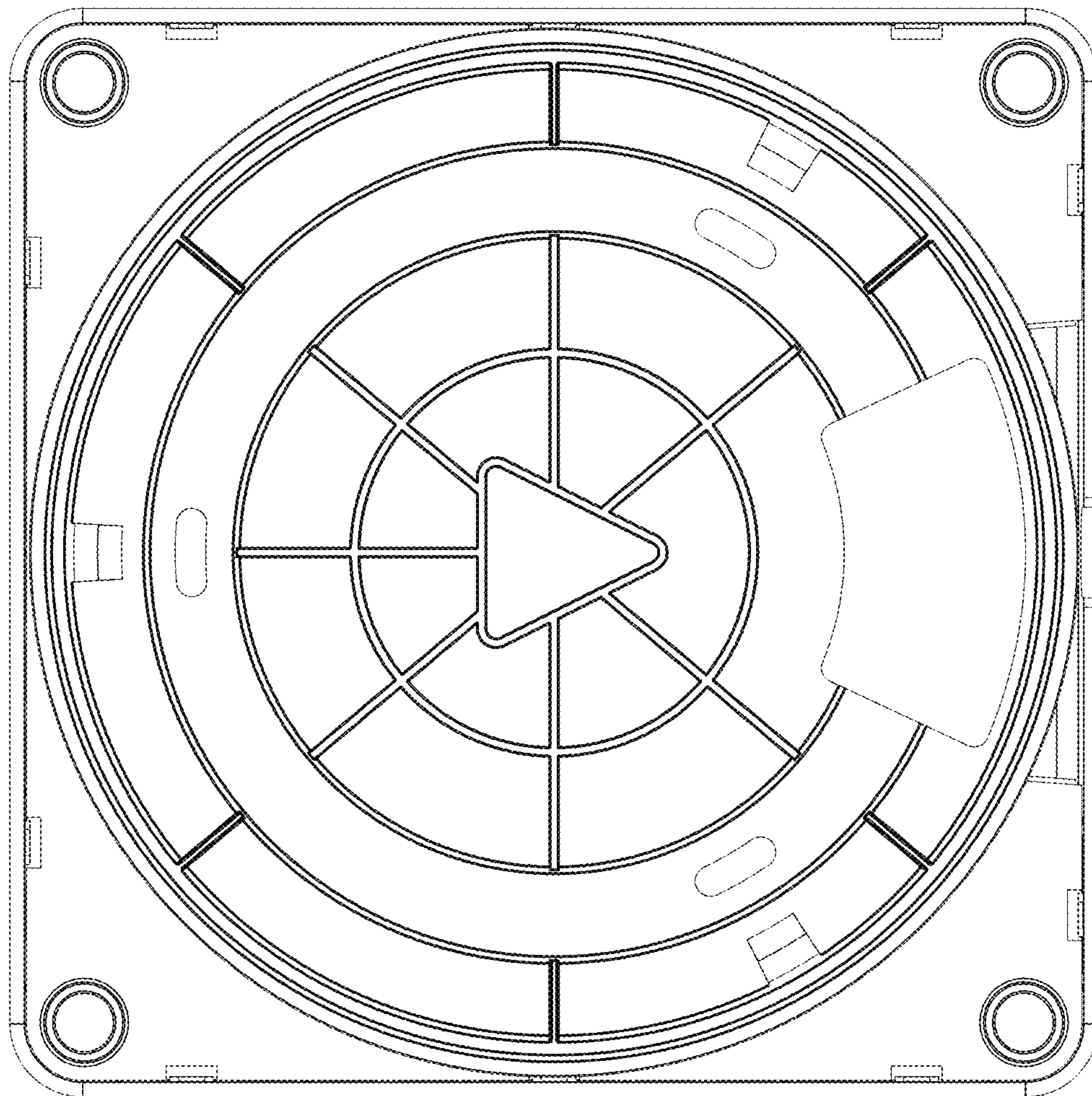


FIG. 3

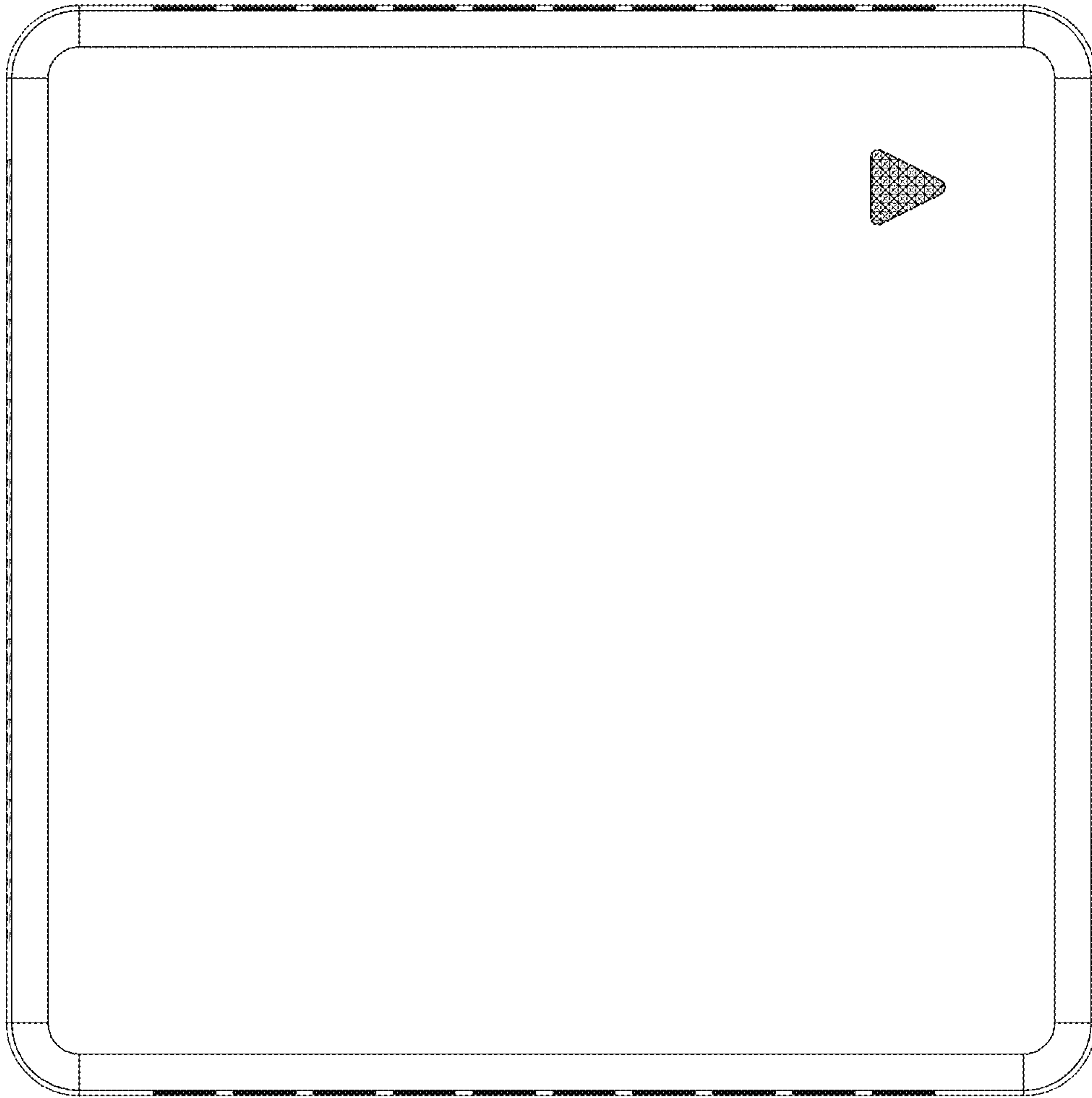


FIG. 4

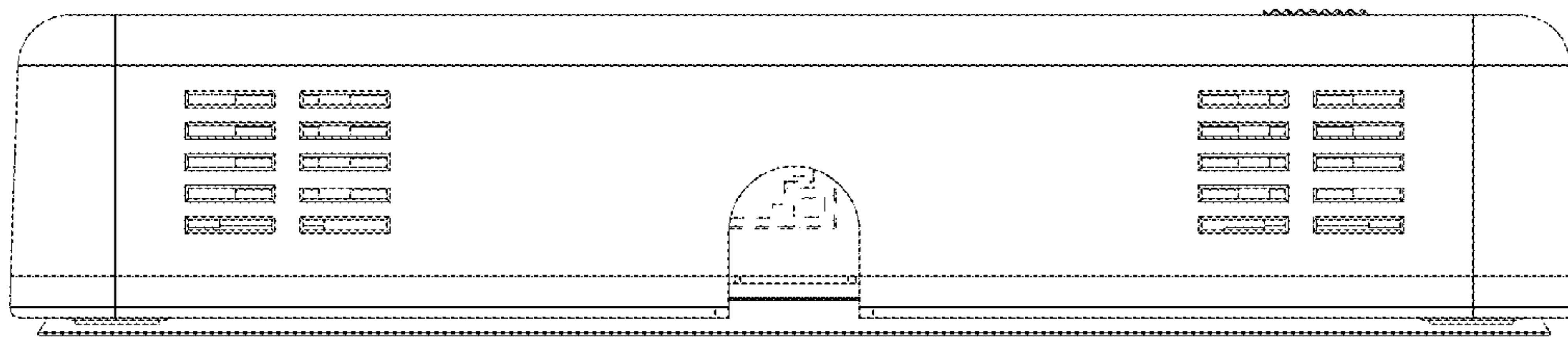


FIG. 5

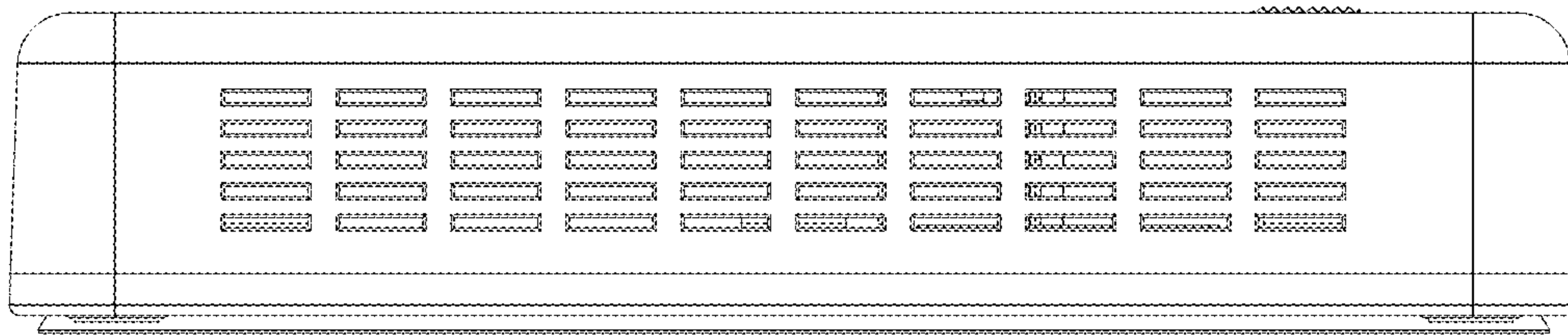


FIG. 6



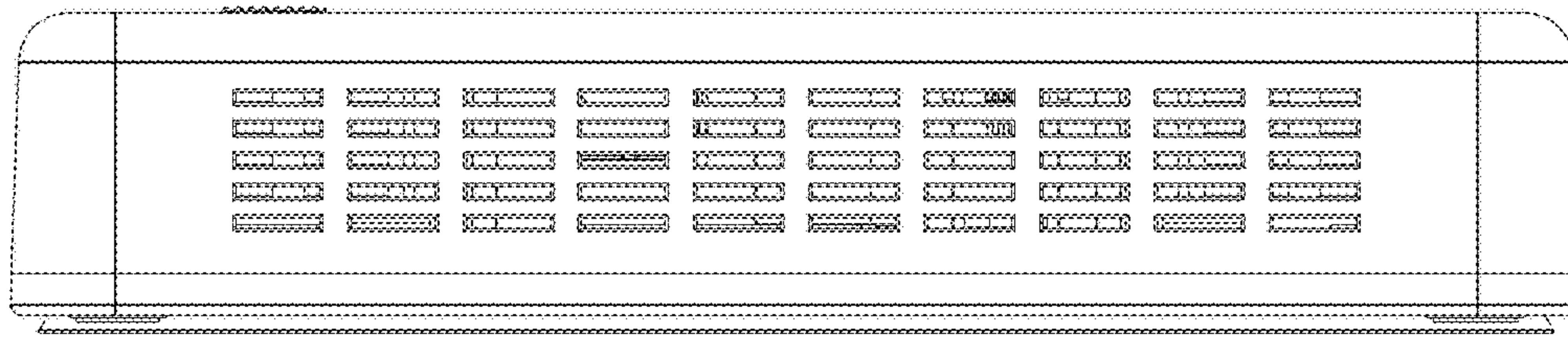


FIG. 7