



US00D846528S

(12) **United States Design Patent**  
**Kuramoto et al.**

(10) **Patent No.:** **US D846,528 S**  
(45) **Date of Patent:** **\*\* Apr. 23, 2019**

(54) **CONTROLLER FOR DIGITAL AUDIO  
PLAYER**

1/0083; G10H 1/0575; G10H 1/06; G10H  
1/18; G10H 1/386; G10H 2220/101  
See application file for complete search history.

(71) Applicant: **Pioneer DJ CORPORATION,**  
Yokohama-shi, Kanagawa (JP)

(56) **References Cited**

(72) Inventors: **Takahiro Kuramoto,** Yokohama (JP);  
**Masayuki Mikasa,** Yokohama (JP)

U.S. PATENT DOCUMENTS

(73) Assignee: **Pioneer DJ CORPORATION,**  
Yokohama-shi, Kanagawa (JP)

D678,250	S	*	3/2013	O'Donnell	.....	D14/217
D687,019	S	*	7/2013	O'Donnell	.....	D14/217
D689,486	S	*	9/2013	O'Donnell	.....	D14/217
D715,264	S	*	10/2014	Iijima	.....	D14/217
D715,265	S	*	10/2014	Kuramoto	.....	D14/217
D765,058	S	*	8/2016	Matsubayashi	.....	D14/217
D765,619	S	*	9/2016	Kuramoto	.....	D14/217
D771,594	S	*	11/2016	Hong	.....	D14/217
D778,263	S	*	2/2017	Martel	.....	D14/217
D806,058	S	*	12/2017	Kimura	.....	D14/217
D813,842	S	*	3/2018	Kimura	.....	D14/217
D828,334	S	*	9/2018	Kobayashi	.....	D14/217
D831,614	S	*	10/2018	Matsubayashi	.....	D14/217
D831,615	S	*	10/2018	Matsubayashi	.....	D14/217

(\*\*) Term: **15 Years**

(21) Appl. No.: **29/631,823**

(22) Filed: **Jan. 3, 2018**

(30) **Foreign Application Priority Data**

Aug. 2, 2017 (JP) ..... 2017-016716

(51) **LOC (11) Cl.** ..... **14-03**

(52) **U.S. Cl.**  
USPC ..... **D14/217**

(58) **Field of Classification Search**  
USPC ..... D14/217, 257, 258, 434, 496, 162, 167,  
D14/175, 188, 196-198  
CPC ..... G10H 1/0066; G10H 1/0008; G10H  
2220/106; G10H 1/32; G10H 2220/096;  
G10H 2230/015; G10H 1/38; G10H  
1/0091; G10H 2210/125; G10H 1/34;  
G10H 1/348; G10H 1/02; G10H 1/46;  
G10H 1/0025; G10H 2210/066; G10H  
2220/201; G10H 2220/241; G10H  
2240/211; G10H 7/008; G10H 7/02;  
G10H 1/0058; G10H 2230/021; G10H  
3/146; G10H 7/00; G10H 1/00; G10H  
1/28; G10H 1/132; G10H 1/36; G10H  
1/383; G10H 2210/081; G10H 2210/095;  
G10H 3/188; G10H 1/0033; G10H

\* cited by examiner

*Primary Examiner* — Khawaja Anwar

(74) *Attorney, Agent, or Firm* — Drinker Biddle & Reath  
LLP

(57) **CLAIM**

We claim the ornamental design for a controller for digital  
audio player, as shown and described.

**DESCRIPTION**

FIG. 1 is an upper-right-front perspective view showing the  
design.

FIG. 2 is a lower-left-rear perspective view thereof.

FIG. 3 is a front view thereof.

FIG. 4 is a rear view thereof.

FIG. 5 is a left-side view thereof.

FIG. 6 is a right-side view thereof.

FIG. 7 is a top view thereof; and,

FIG. 8 is a bottom view thereof.

**1 Claim, 8 Drawing Sheets**

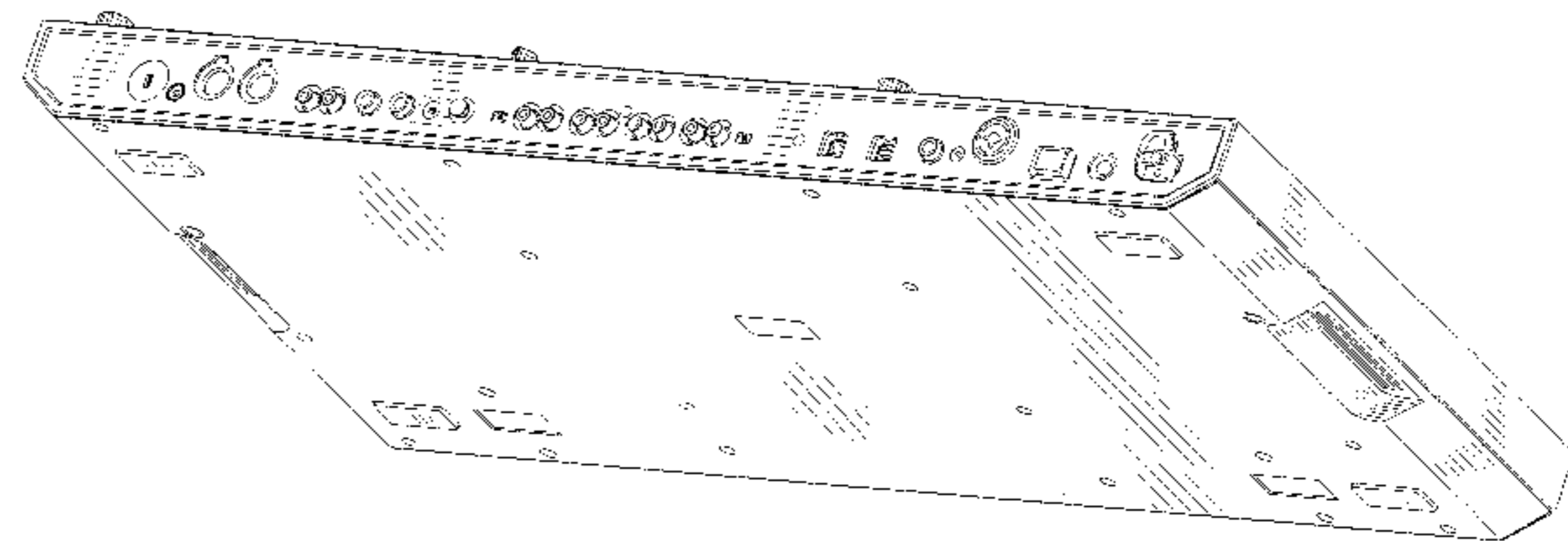
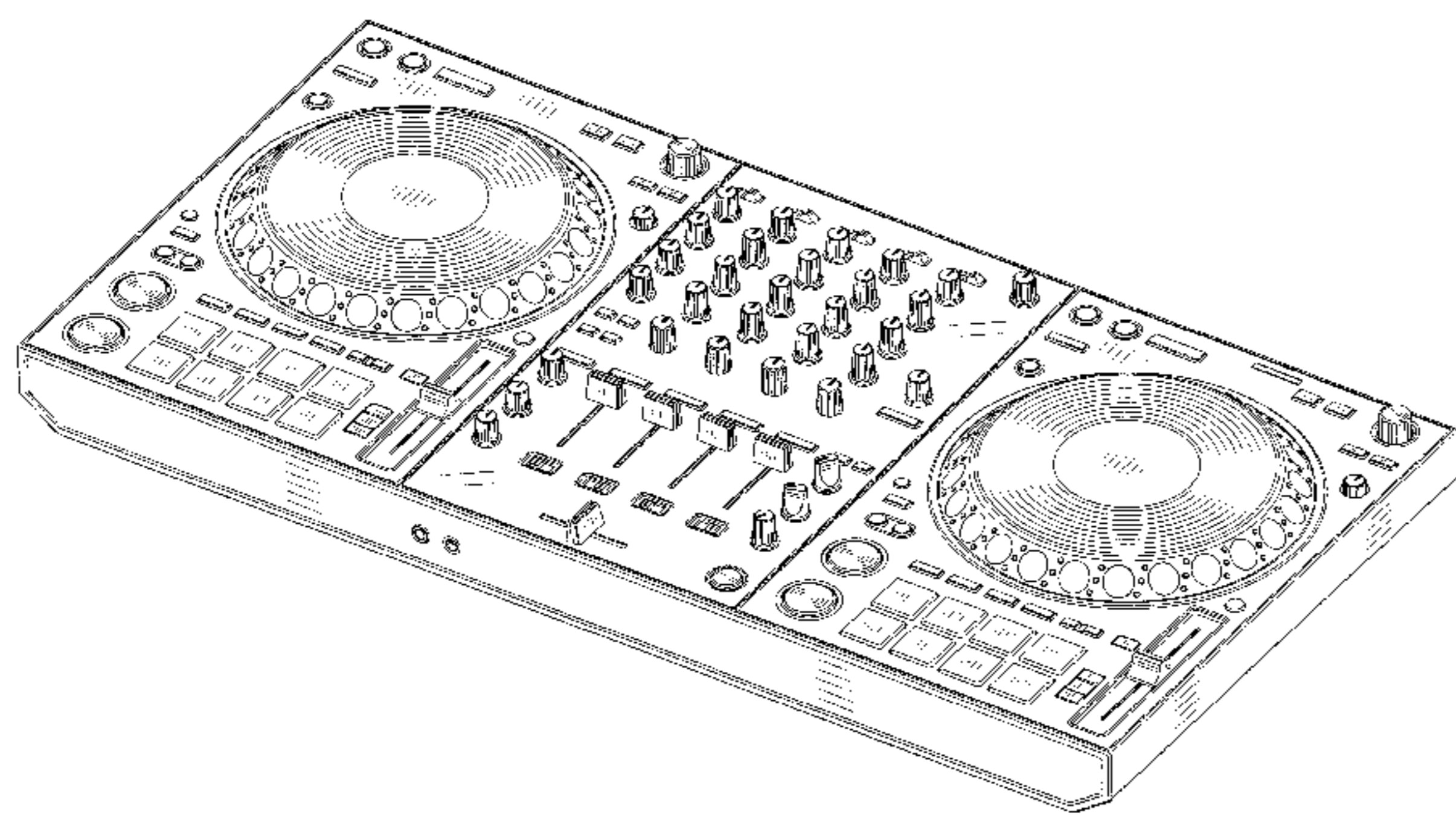


FIG. 1

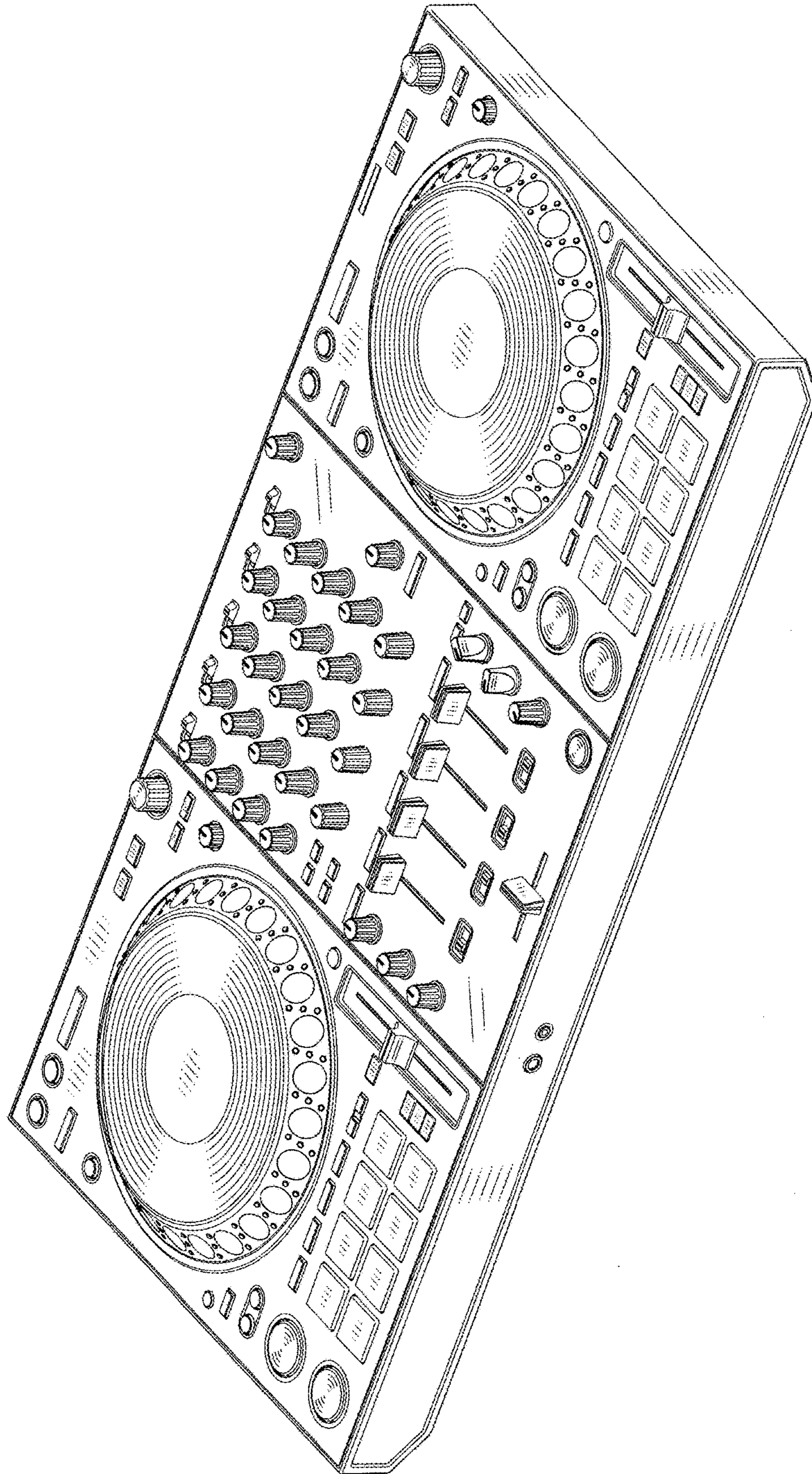


FIG. 2

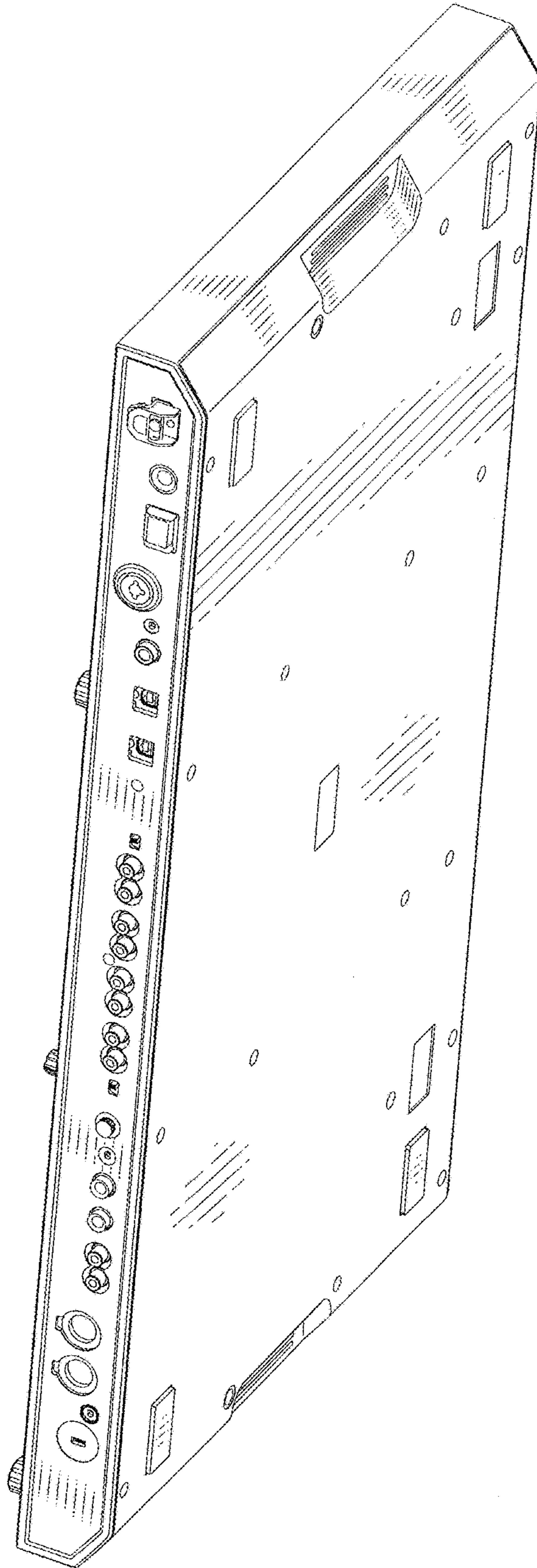


FIG. 3

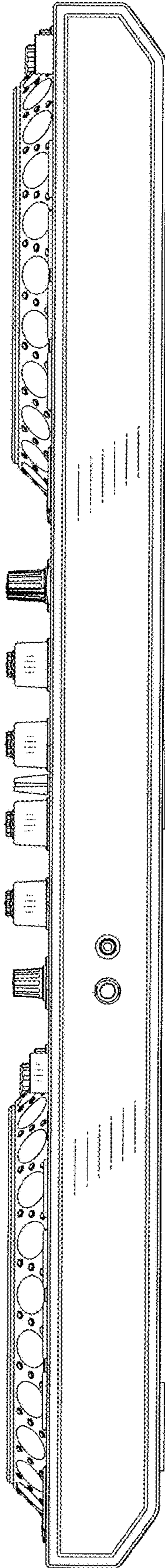


FIG. 4

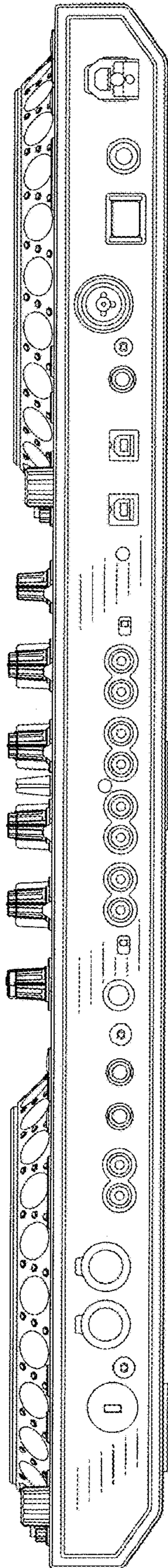


FIG. 5

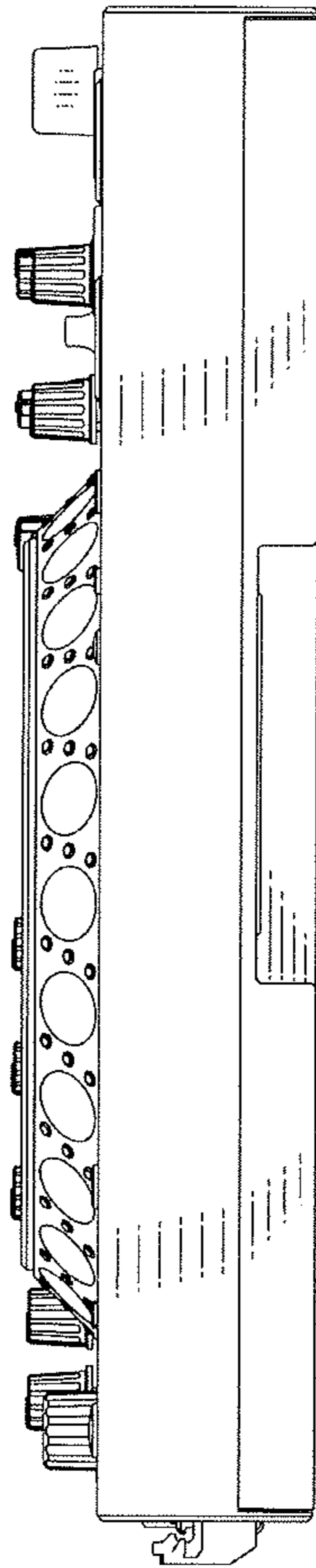


FIG. 6

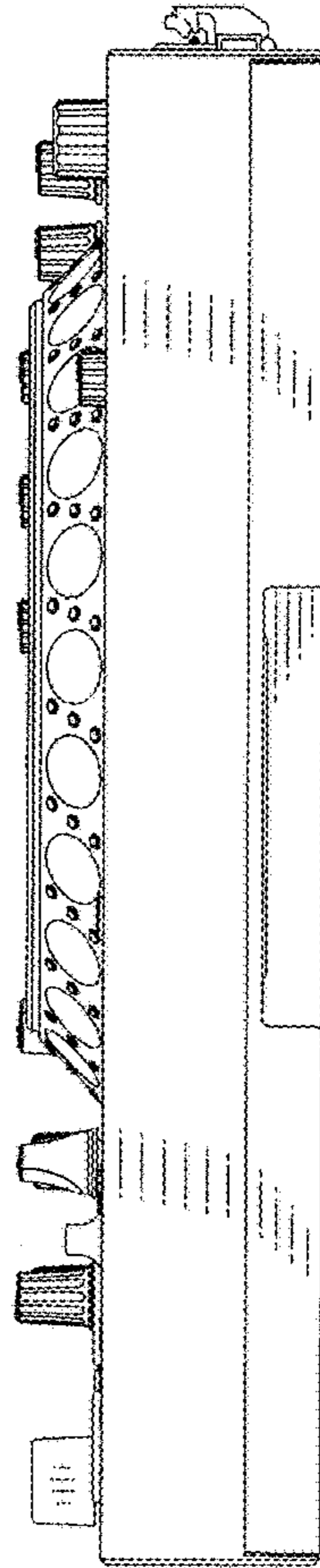


FIG. 7

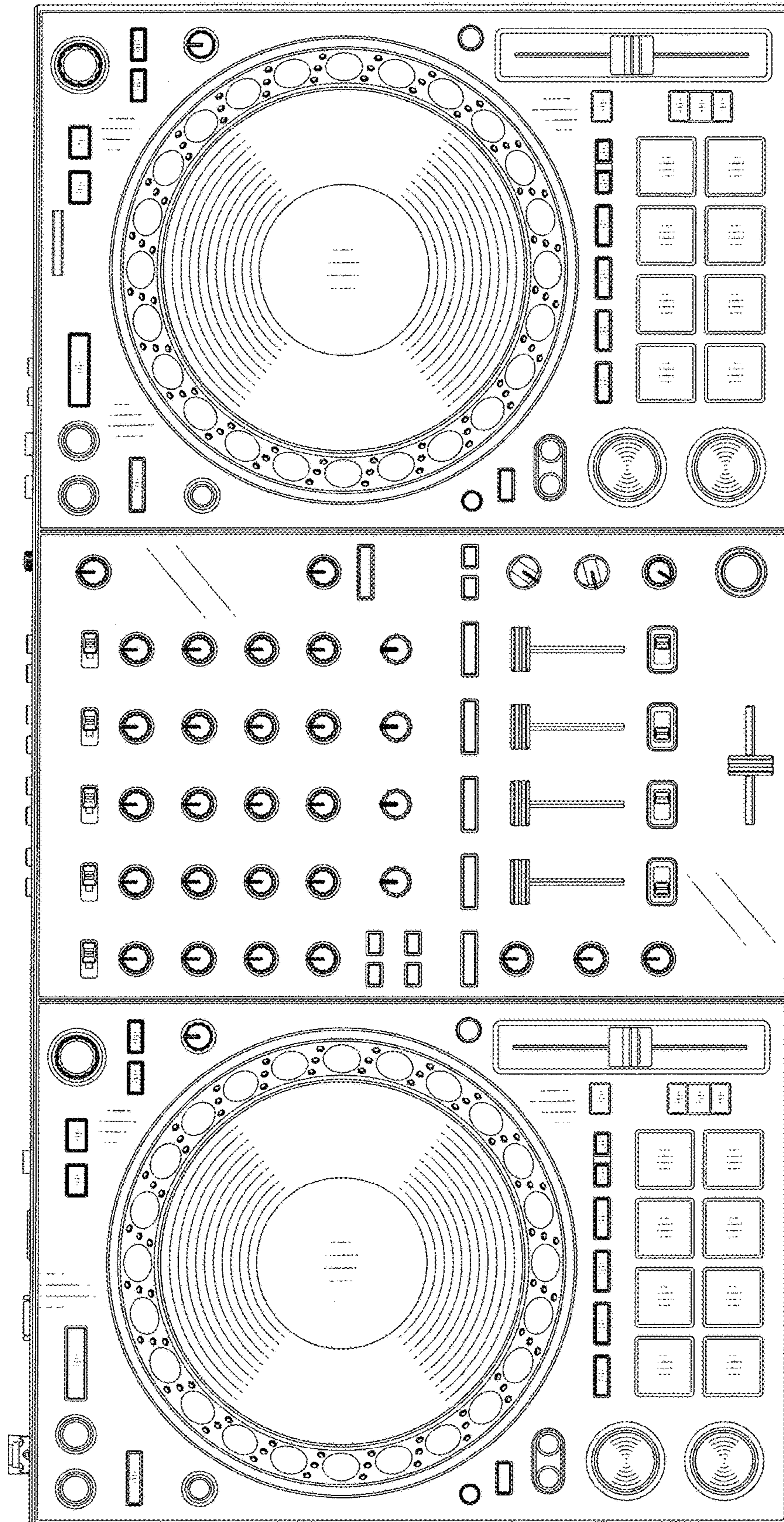




FIG. 8

