



US00D846525S

(12) **United States Design Patent**  
**Wu**

(10) **Patent No.:** **US D846,525 S**  
(45) **Date of Patent:** **\*\* Apr. 23, 2019**

(54) **BLUETOOTH INTERPHONE**  
(71) Applicant: **Cheng Wu**, Guangdong (CN)  
(72) Inventor: **Cheng Wu**, Guangdong (CN)  
(\*\*) Term: **15 Years**

D386,703 S \* 11/1997 Nowak ..... D10/104.1  
D409,511 S \* 5/1999 Ames ..... D14/159  
D410,205 S \* 5/1999 Ames ..... D14/159  
D637,174 S \* 5/2011 Elkerbout ..... D14/159  
D665,767 S \* 8/2012 Hancock ..... D14/159  
D666,575 S \* 9/2012 Marsh ..... D14/159  
D789,905 S \* 6/2017 Liu ..... D14/159

\* cited by examiner

(21) Appl. No.: **29/635,588**

*Primary Examiner* — Austin Murphy

(22) Filed: **Jan. 31, 2018**

(51) **LOC (11) Cl.** ..... **14-02**

(52) **U.S. Cl.**

USPC ..... **D14/159**

(58) **Field of Classification Search**

USPC ..... D14/240, 242, 356, 358, 363, 365, 367,  
D14/370, 432-437, 439, 498, 125, 366,  
D14/168, 496; D13/147, 164, 123, 133,  
D13/146, 110, 199, 103, 162, 159, 160,  
D13/184; 361/683, 684, 686, 724, 735,  
361/737, 752; D18/40

CPC .... H01R 25/006; H01R 27/02; H01R 31/005;  
G06F 13/4022; G06F 13/382; G06F  
1/1632; G06F 1/1684; G06F 1/20; G06F  
1/1607

See application file for complete search history.

(57) **CLAIM**

The ornamental design for a bluetooth interphone, as shown and described.

**DESCRIPTION**

FIG. 1 is a top, right and front perspective view of a bluetooth interphone showing my new design; FIG. 2 is a front elevational view thereof; FIG. 3 is a rear elevational view thereof; FIG. 4 is a left side view thereof; FIG. 5 is a right side view thereof; FIG. 6 is a top plan view thereof; and, FIG. 7 is a bottom plan view thereof.

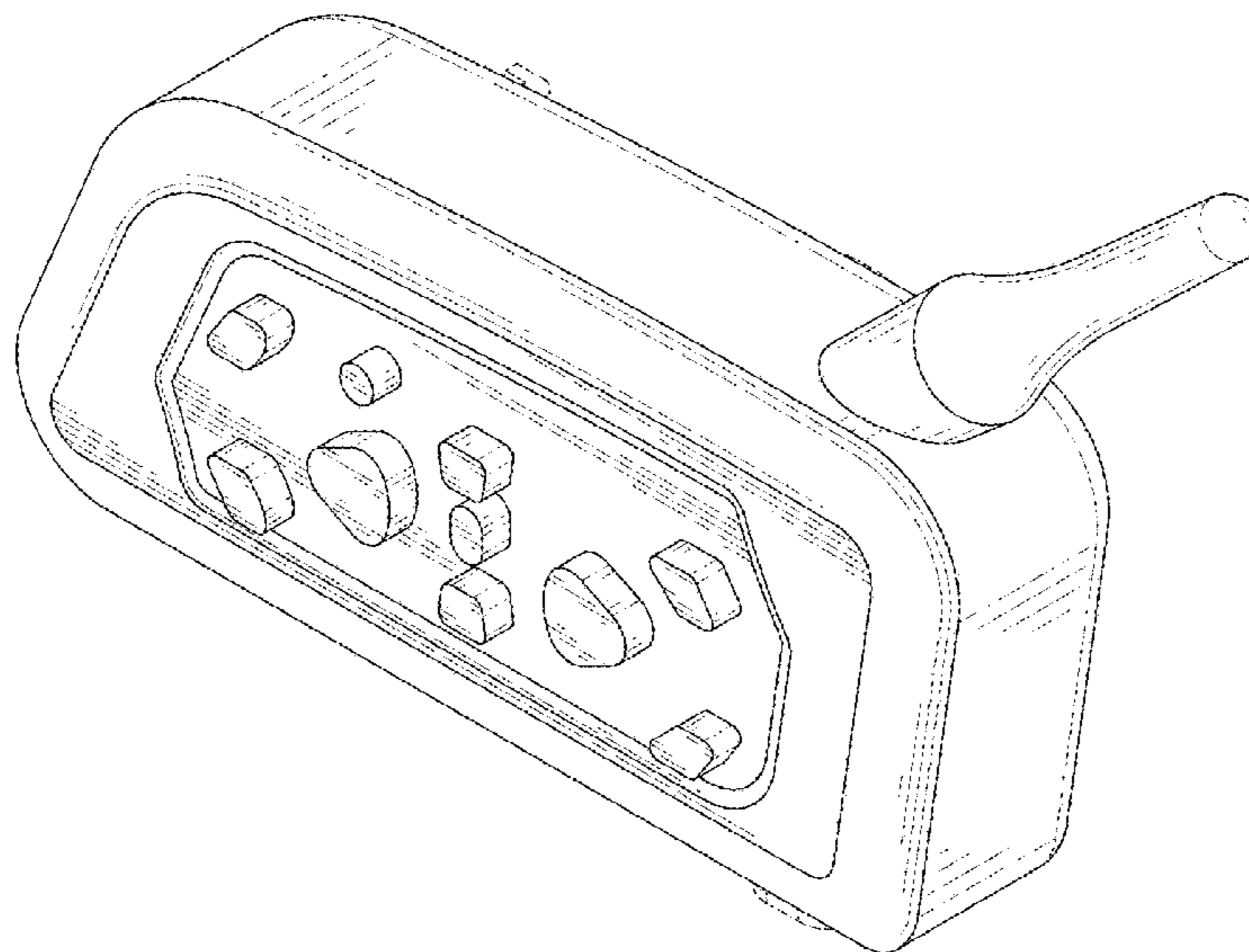
The broken lines in the drawings illustrate portions of the bluetooth interphone which form no part of the claimed design.

(56) **References Cited**

**U.S. PATENT DOCUMENTS**

D376,991 S \* 12/1996 Freese ..... D14/159  
D386,104 S \* 11/1997 Nowak ..... D14/137

**1 Claim, 7 Drawing Sheets**



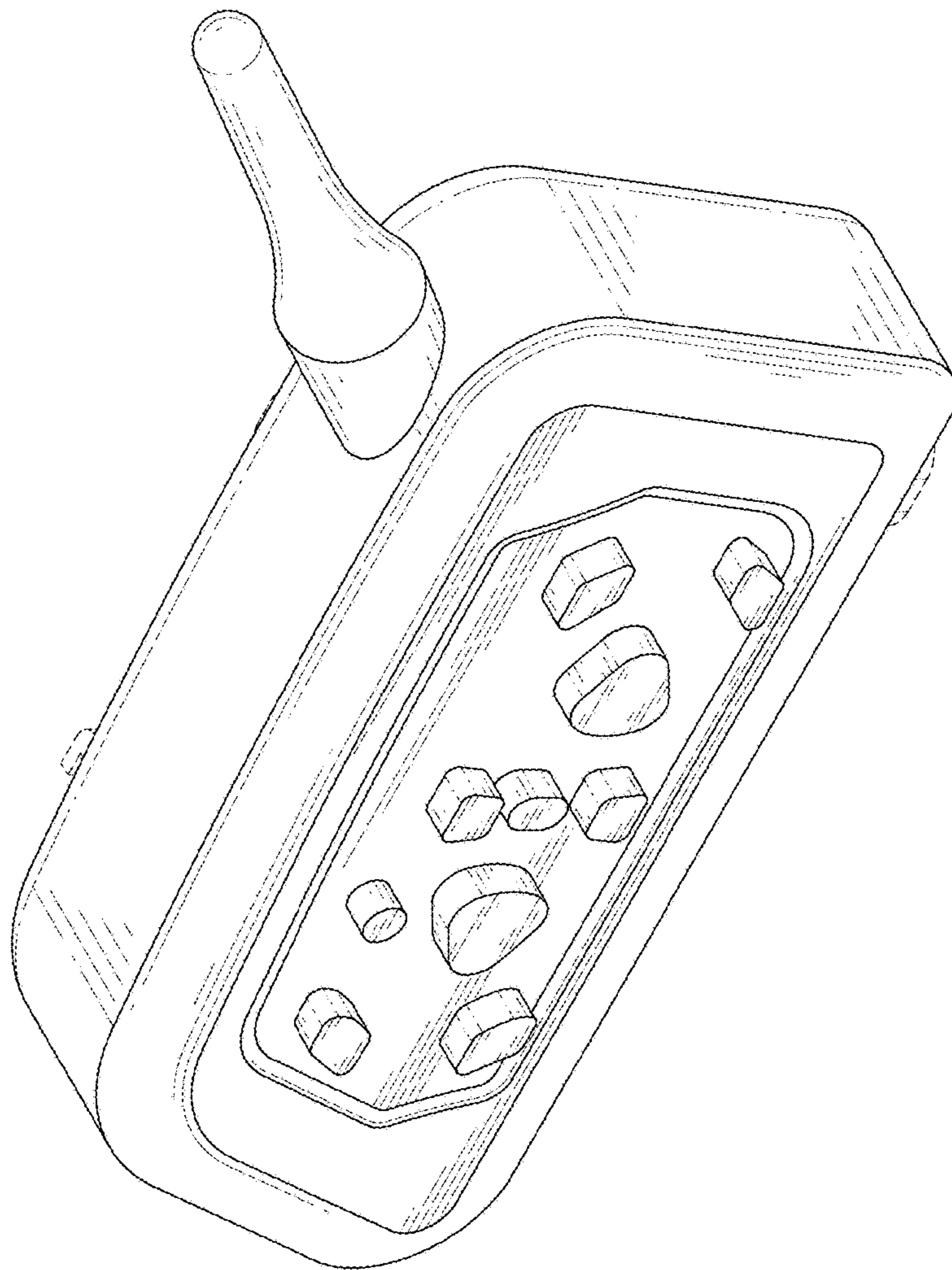


FIG. 1

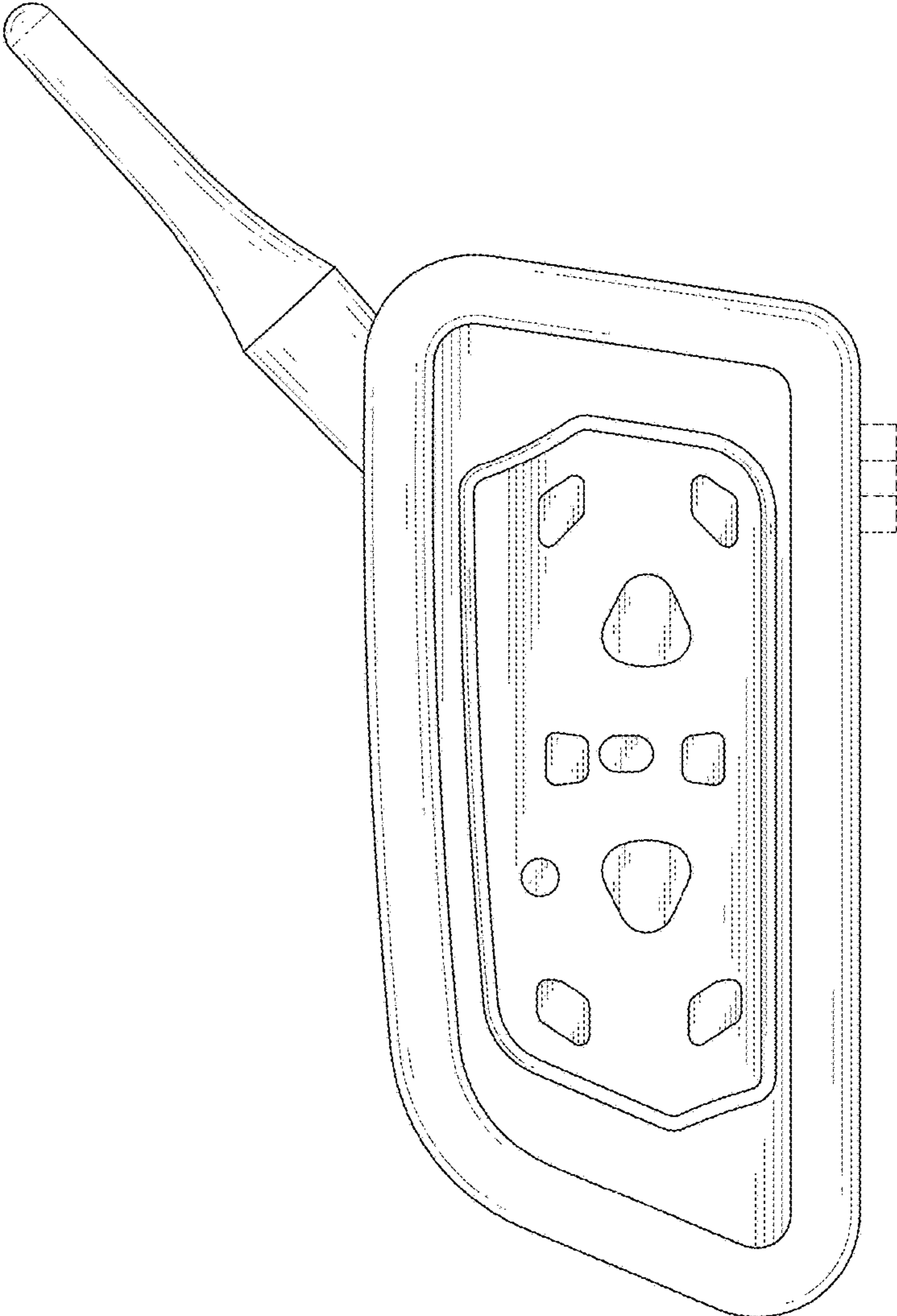


FIG. 2

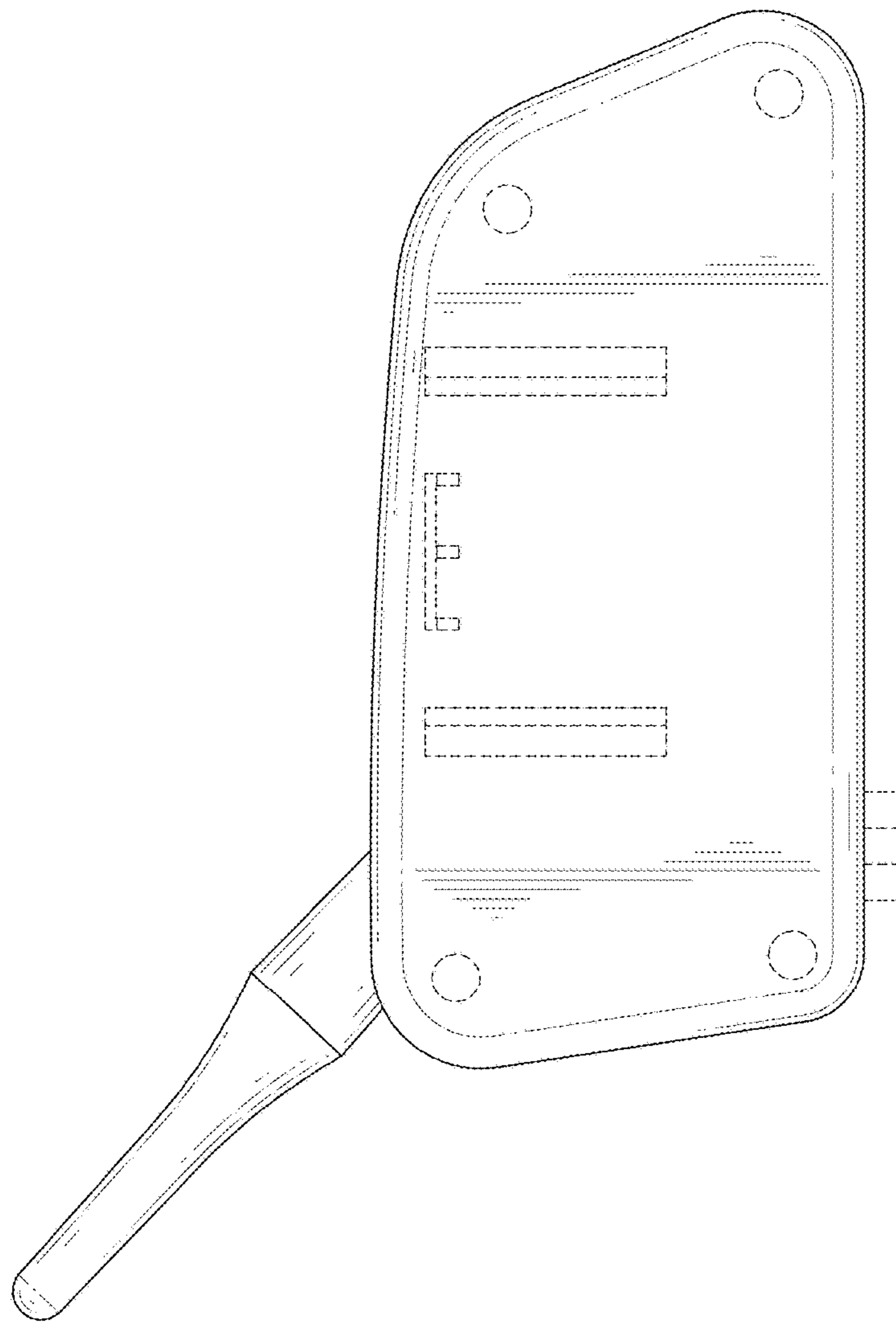


FIG. 3

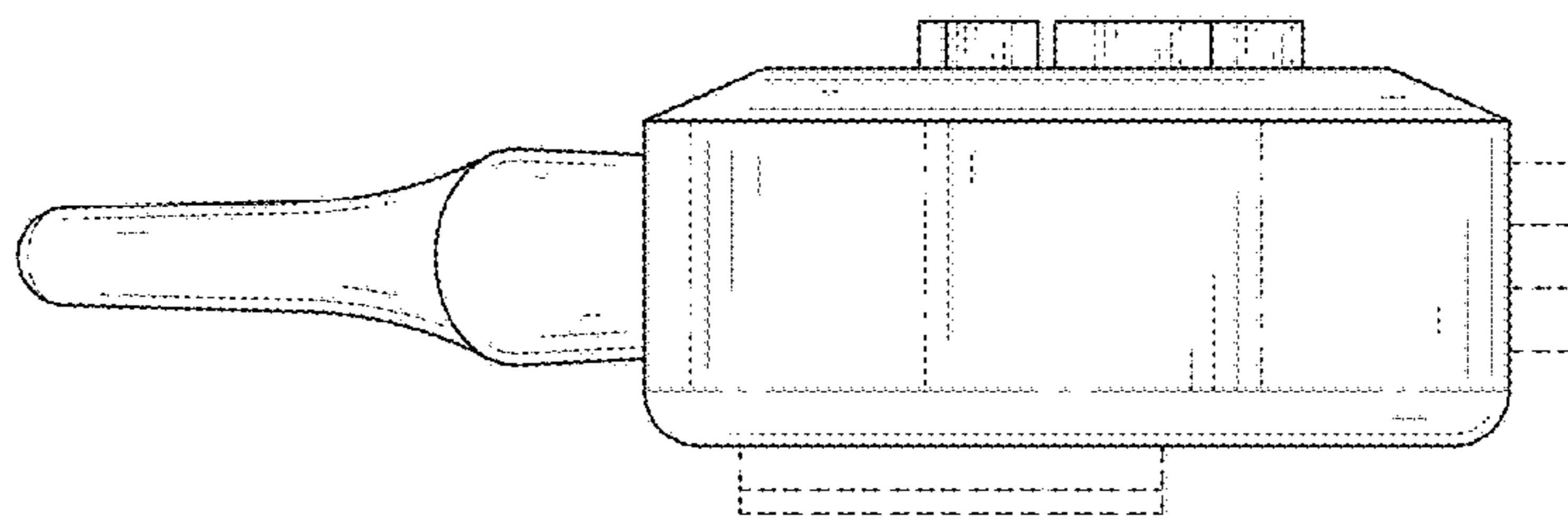


FIG. 4

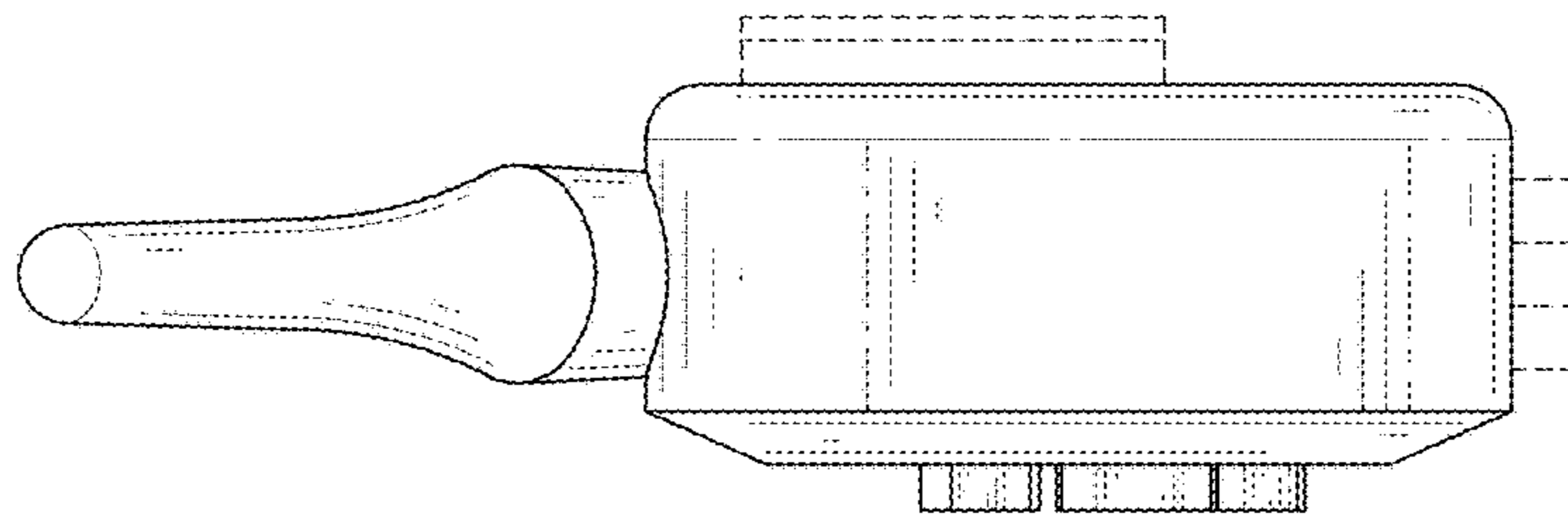


FIG. 5

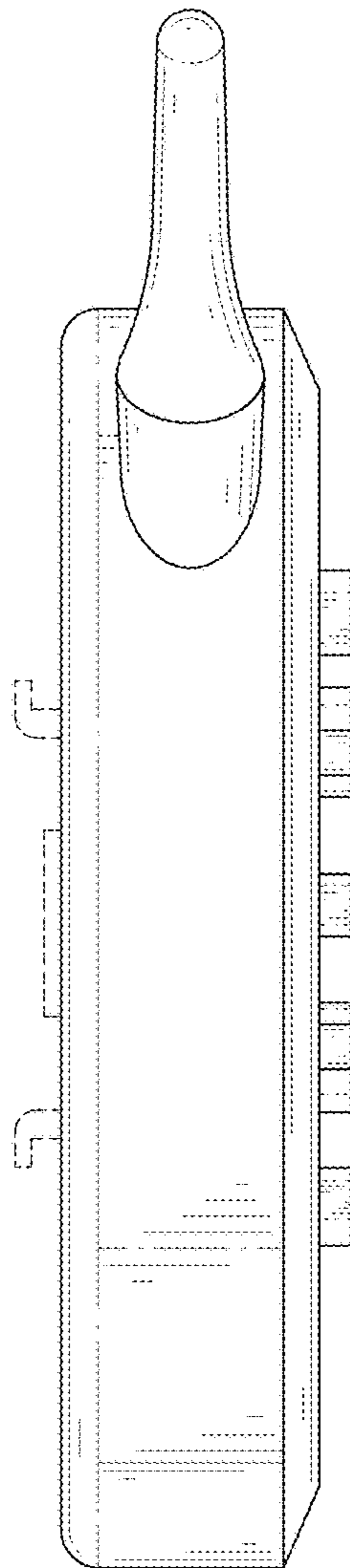


FIG. 6



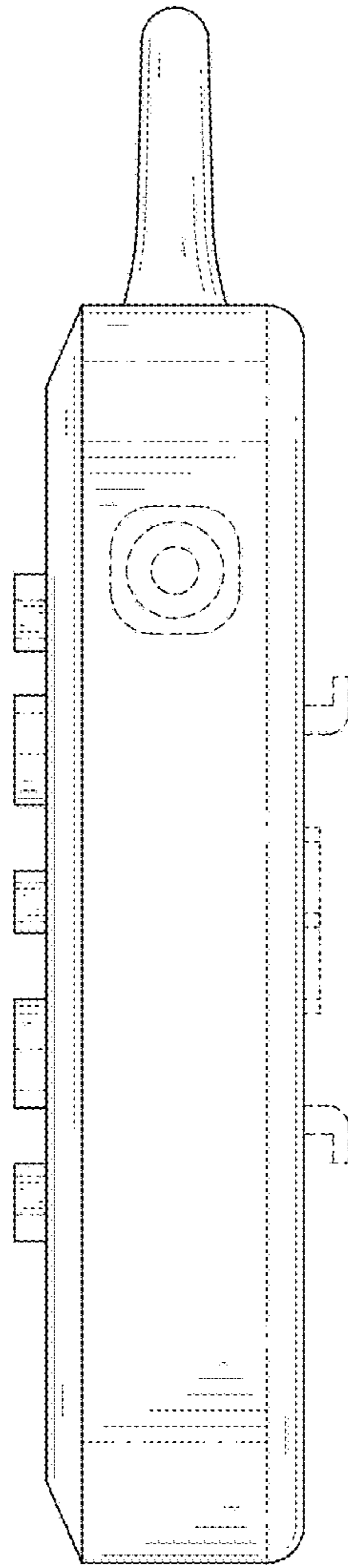


FIG. 7