



US00D846524S

(12) **United States Design Patent**
Lai et al.

(10) **Patent No.:** **US D846,524 S**

(45) **Date of Patent:** **** Apr. 23, 2019**

- (54) **INTELLIGENT CONFERENCE DEVICE**
- (71) Applicants: **Tzu-Chien Lai**, Taipei (TW); **Shih-Yao Lin**, Taipei (TW)
- (72) Inventors: **Tzu-Chien Lai**, Taipei (TW); **Shih-Yao Lin**, Taipei (TW)
- (73) Assignee: **COMPAL ELECTRONICS, INC.**, Taipei (TW)
- (**) Term: **15 Years**
- (21) Appl. No.: **29/606,352**
- (22) Filed: **Jun. 3, 2017**
- (51) **LOC (11) Cl.** **14-03**
- (52) **U.S. Cl.**
USPC **D14/149; D14/330**
- (58) **Field of Classification Search**
USPC D14/140, 140.1, 141.1, 142, 144, 147, D14/149, 150, 155, 168, 172, 204, 206, D14/209.1, 212, 213, 248, 249, 299, 496, D14/226, 356, 358, 432, 454, 192, 221, D14/127-130, 314, 329, 330; D13/184; D10/104.1, 106.1, 106.3, 106.5
CPC H04M 1/00; H04M 1/04; H04M 1/6033; H04M 1/60041; H04M 3/56; H04M 3/564; H04M 3/568; H04M 9/02; H04M 9/022; H04M 9/08; H04R 1/00; H04R 1/04; H04R 1/026; H04R 27/00; H04R 3/02; H04R 3/005
See application file for complete search history.

(56) **References Cited**

U.S. PATENT DOCUMENTS

- D280,402 S * 9/1985 Brown D10/15
- D289,040 S * 3/1987 Olsen D14/212
- D306,168 S * 2/1990 Caputo D14/204
- D311,541 S * 10/1990 Carre 379/420.01
- D330,376 S * 10/1992 Kawaguchi D14/212

- D342,732 S * 12/1993 Hinman D14/150
- D382,266 S * 8/1997 Wakefield D14/150
- D395,298 S * 6/1998 Rosen D14/127
- D403,328 S * 12/1998 Wakefield D14/229
- D411,995 S * 7/1999 Chen D14/150
- D431,551 S * 10/2000 Wegner D14/210
- D439,538 S * 3/2001 Lynch D10/106.2

(Continued)

Primary Examiner — Marie D. Fast Horse
(74) *Attorney, Agent, or Firm* — JCIPRNET

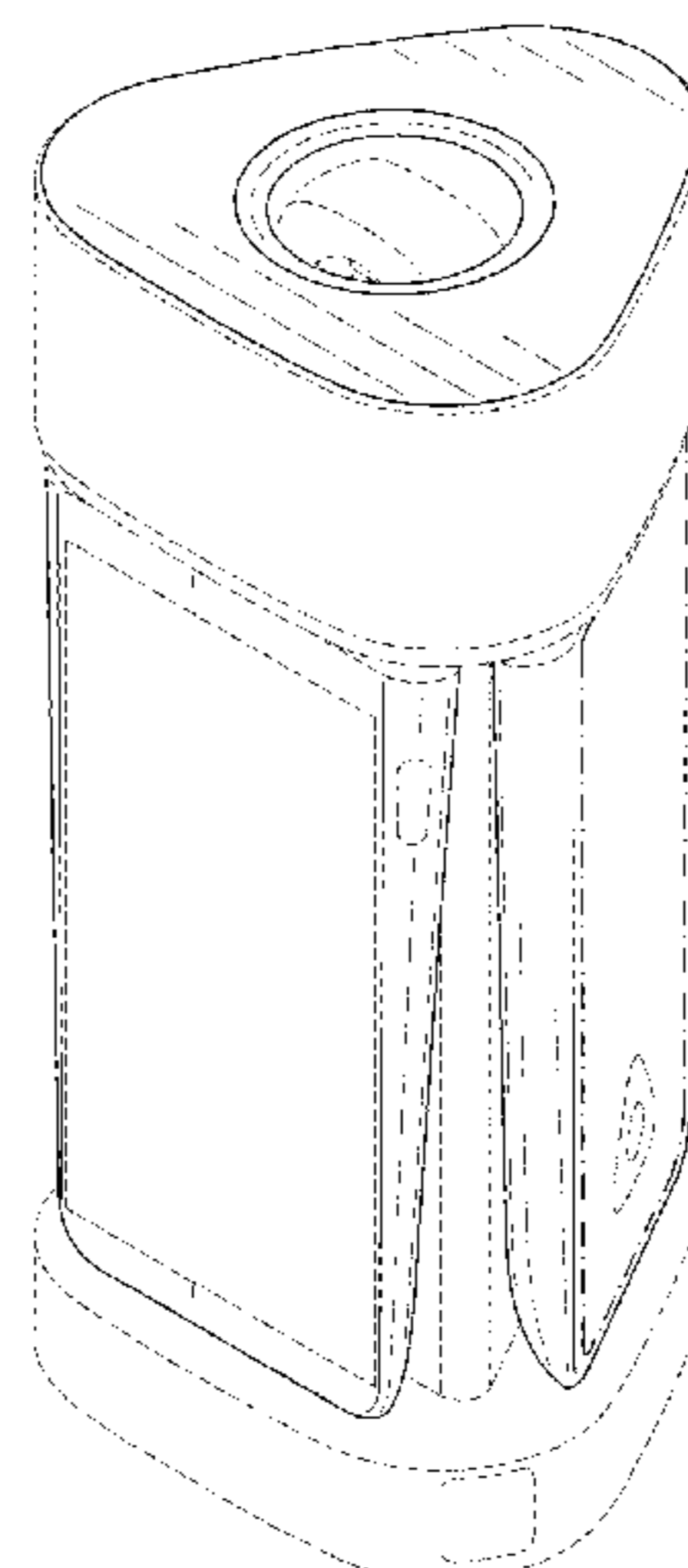
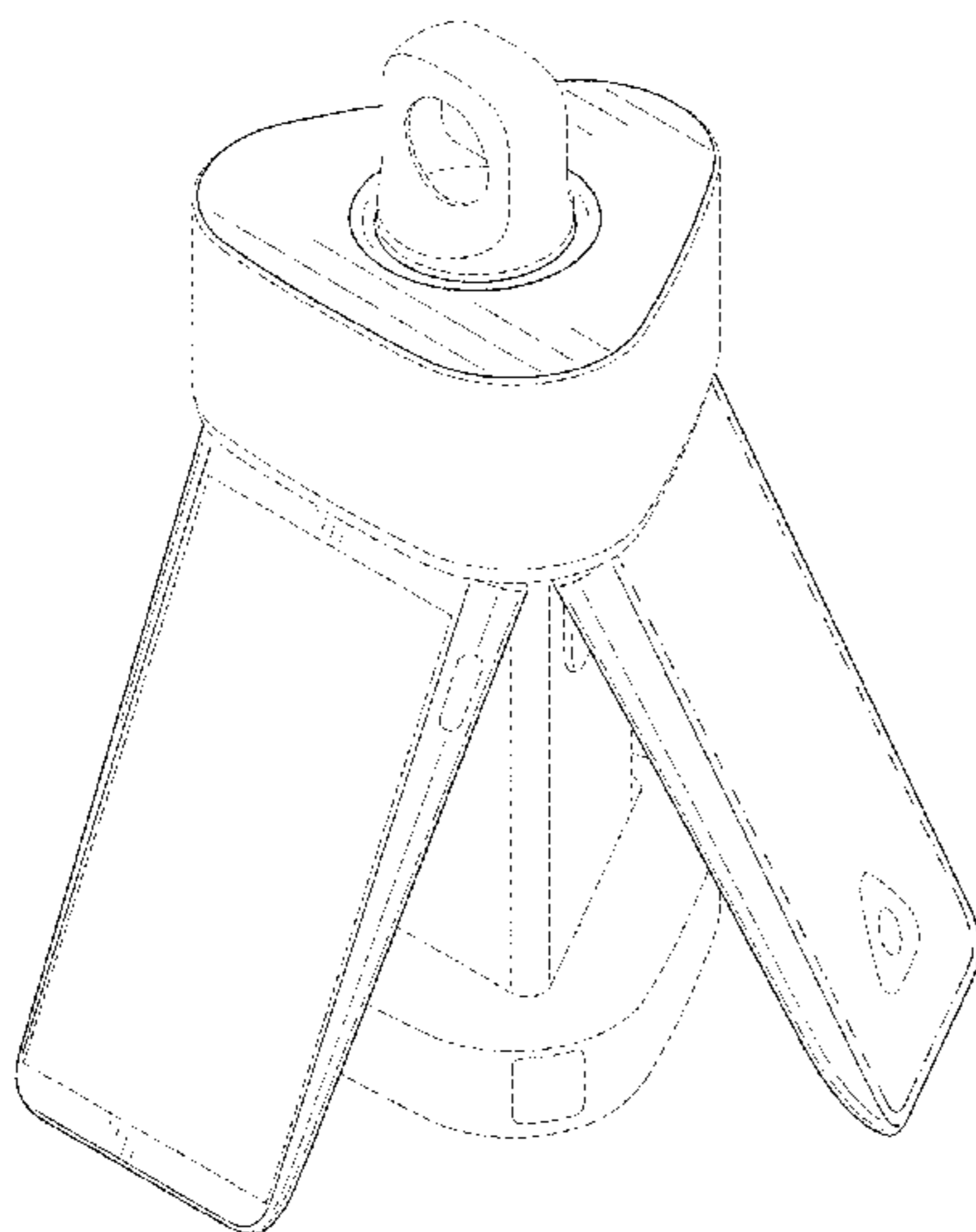
(57) **CLAIM**

The ornamental design for an intelligent conference device, as shown and described.

DESCRIPTION

FIG. 1 is a perspective view of an intelligent conference device showing our new design in an open state; FIG. 2 is a front view thereof in an open state; FIG. 3 is a rear view thereof in an open state; FIG. 4 is a left side view thereof in an open state; FIG. 5 is a right side view thereof in an open state; FIG. 6 is a top view thereof in an open state; FIG. 7 is a bottom view thereof in an open state; FIG. 8 is a perspective view thereof in a close state; FIG. 9 is a first side view thereof in a close state viewed from zero degree; FIG. 10 is a second side view thereof in a close state viewed from 180 degrees; FIG. 11 is a third side view thereof in a close state viewed from 45 degrees; FIG. 12 is a fourth side view thereof in a close state viewed from 315 degrees; FIG. 13 is a top view thereof in a close state; and, FIG. 14 is a bottom view thereof in a close state. The dot-dashed broken lines represent a boundary of the claimed design and form no part of the claimed design. All other dashed broken lines depict portions of the intelligent conference device that form no part of the claimed design.

1 Claim, 13 Drawing Sheets



(56)

References Cited

U.S. PATENT DOCUMENTS

D449,286 S *	10/2001	Wakefield	D14/150	D691,118 S *	10/2013	Ingham	D14/218
D466,885 S *	12/2002	MacFarlane	D14/204	D698,338 S *	1/2014	Ingham	D14/218
D470,125 S *	2/2003	Jordan	D14/212	D714,258 S *	9/2014	Montague	D14/221
D478,560 S *	8/2003	Misrahi	D14/150	D737,250 S *	8/2015	Ingham	D14/218
D480,059 S *	9/2003	Misrahi	D14/150	D746,256 S *	12/2015	Lee	D14/204
D481,371 S *	10/2003	Chen	D14/150	D760,201 S *	6/2016	Tompkin	D14/221
D488,794 S *	4/2004	Chen	D14/150	D780,747 S *	3/2017	Sharp	D14/329
D491,909 S *	6/2004	Sun	D14/150	D788,725 S *	6/2017	Tompkin	D14/127
D506,192 S *	6/2005	Cutler	D14/125	D793,386 S *	8/2017	Park	D14/341
D556,179 S *	11/2007	Chang	D14/150	D794,598 S *	8/2017	Clerc	D14/150
D556,710 S *	12/2007	Ferguson	D14/127	9,871,901 B2 *	1/2018	Hiramatsu	H04R 1/2892
D557,676 S *	12/2007	Suzuki	D14/149	D816,056 S *	4/2018	Klein	D14/149
D558,728 S *	1/2008	Murakami	D14/150	D817,924 S *	5/2018	Kim	D14/213
D559,832 S *	1/2008	Poandl	D14/212	RE46,940 E *	7/2018	Tompkin	D14/221
D570,820 S *	6/2008	Katori	D14/149	2003/0053620 A1 *	3/2003	Chen	H04M 1/02 379/447
D571,776 S *	6/2008	Duys	D14/150	2004/0008423 A1 *	1/2004	Driscoll, Jr.	G02B 13/06 359/725
D575,261 S *	8/2008	Freed	D14/130	2007/0009118 A1 *	1/2007	Kimura	H04R 27/00 381/172
D576,156 S *	9/2008	Wilson	D14/225	2009/0268899 A1 *	10/2009	Tokuda	H04M 1/6033 379/420.02
D576,977 S *	9/2008	Ferguson	D14/127	2014/0044257 A1 *	2/2014	Shida	H05K 7/20336 379/432
D586,743 S *	2/2009	Guccione	D13/107	2016/0050489 A1 *	2/2016	Lashkari	H04M 9/08 381/66
D601,555 S *	10/2009	Zhang	D14/314				
D620,916 S *	8/2010	Wada	D14/149				
D632,661 S *	2/2011	Micallef	D14/127				
D635,955 S *	4/2011	Corrigan	D14/149				
D685,755 S *	7/2013	Shin	D14/142				

* cited by examiner

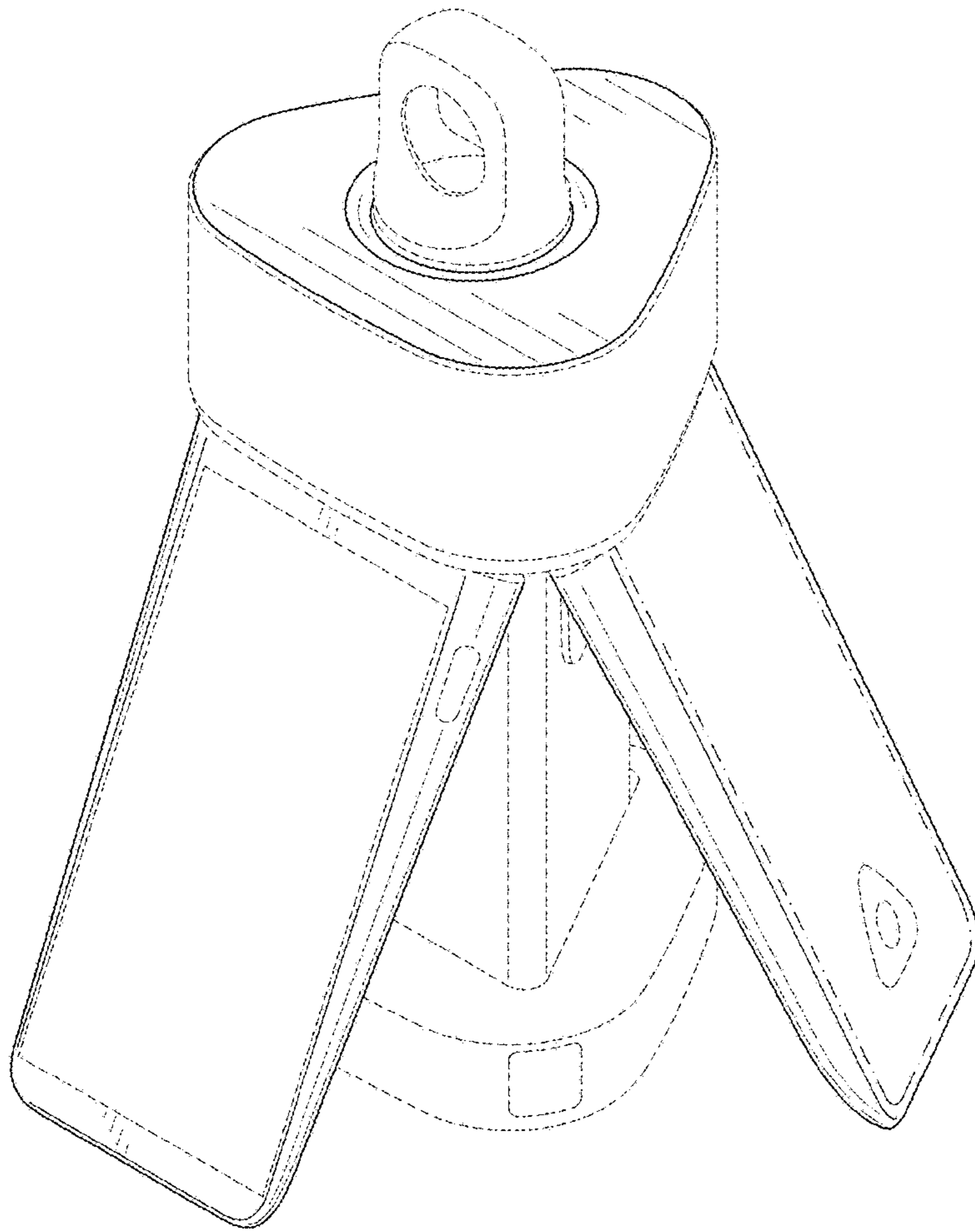


FIG. 1

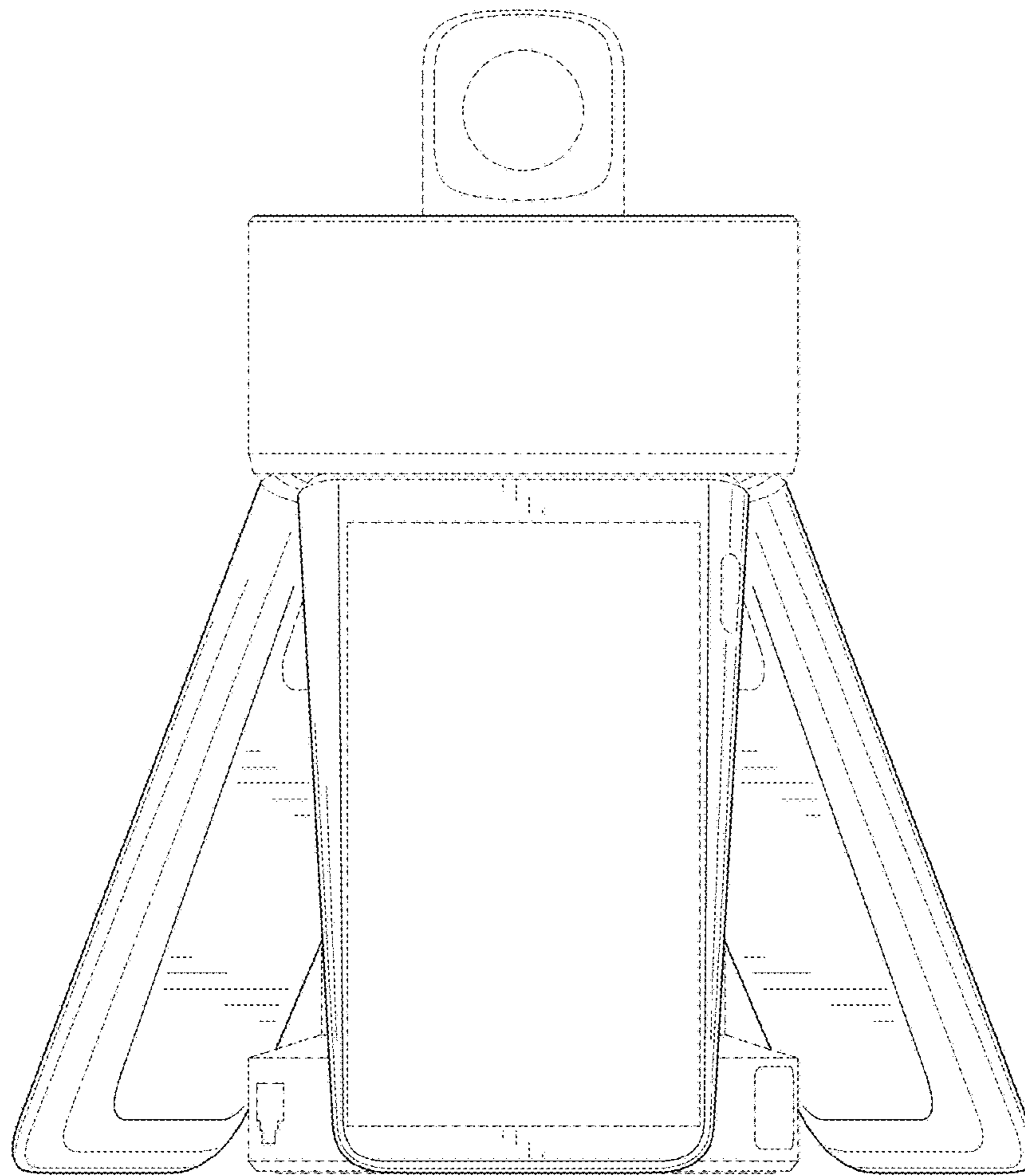


FIG. 2

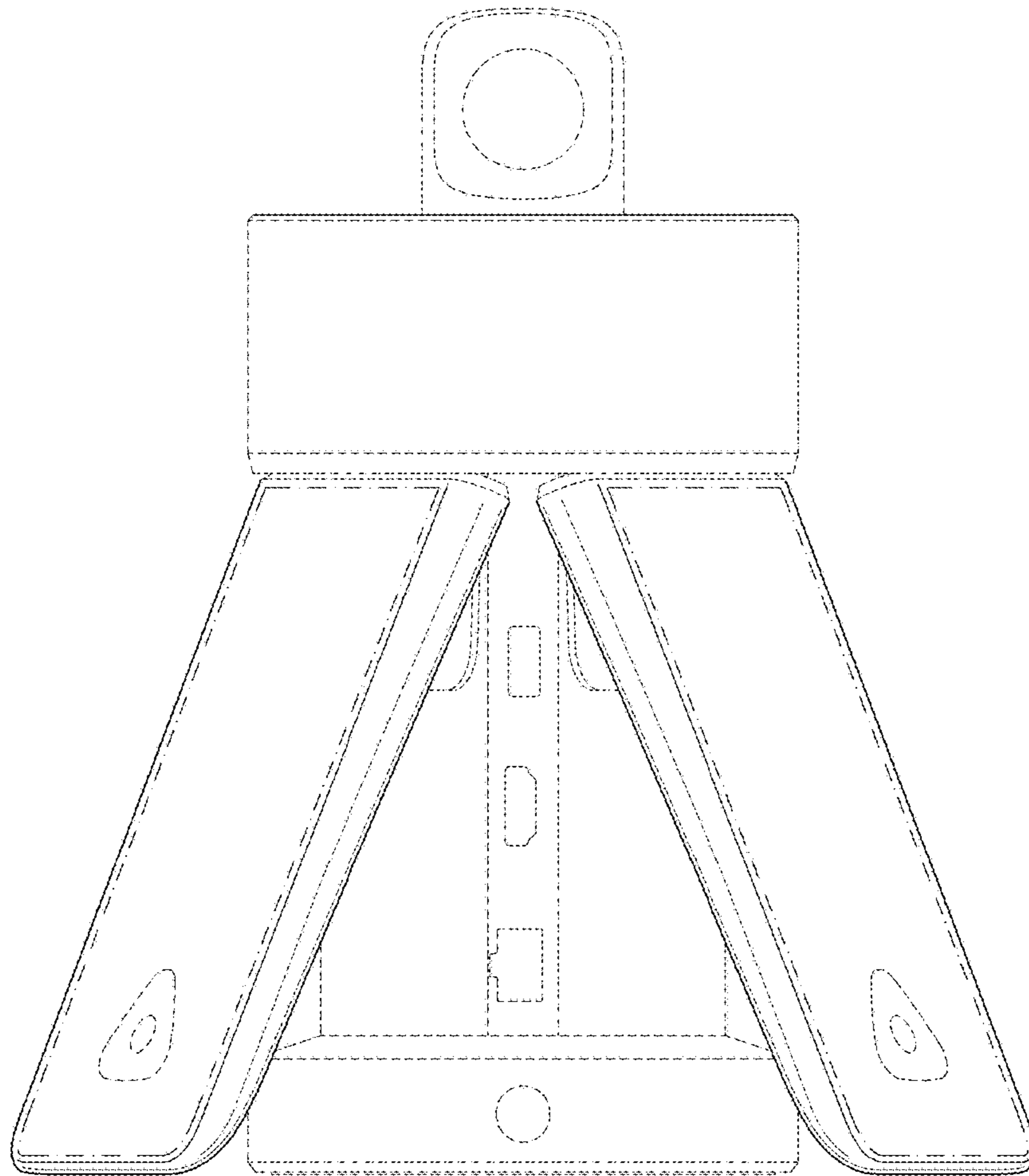


FIG. 3

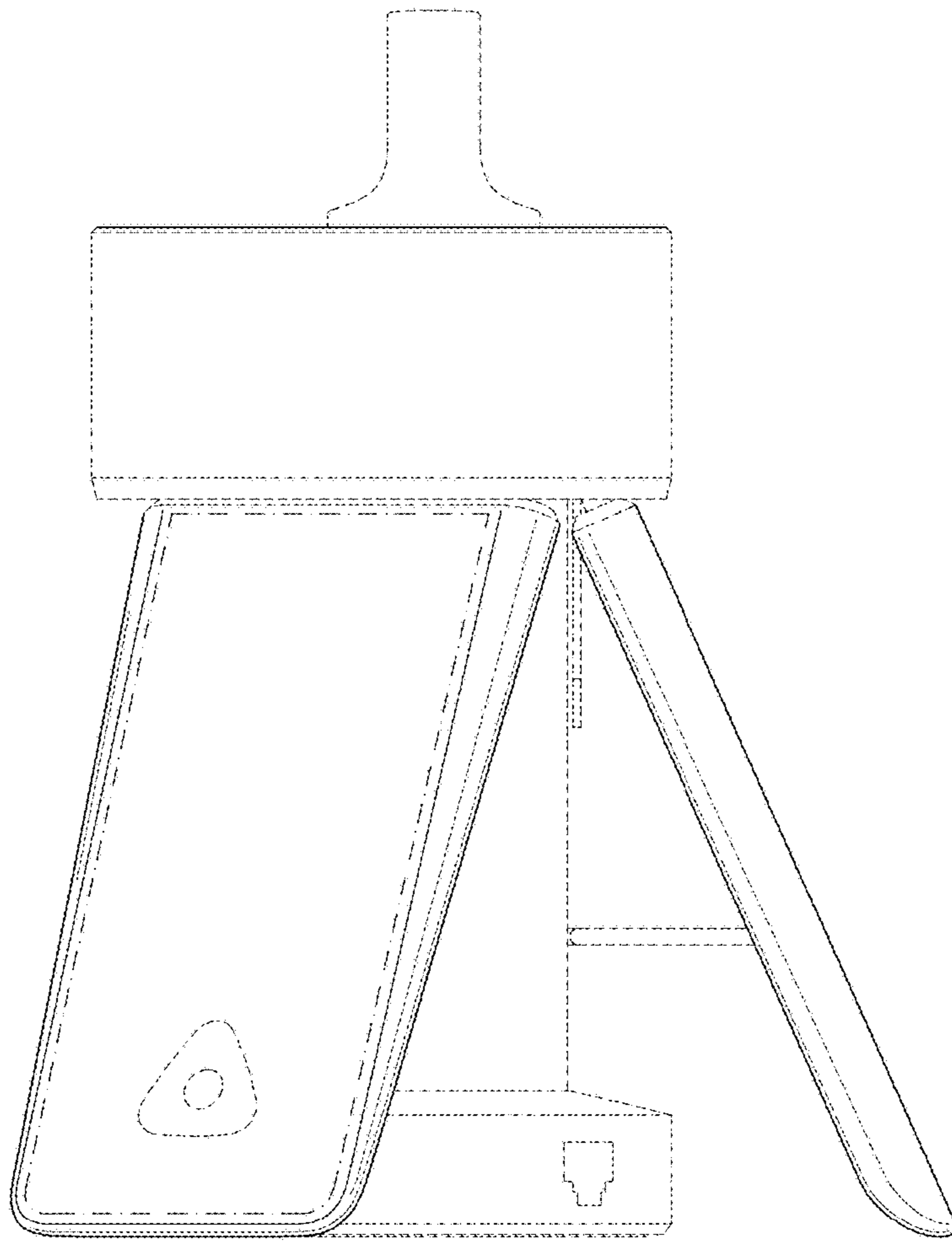


FIG. 4

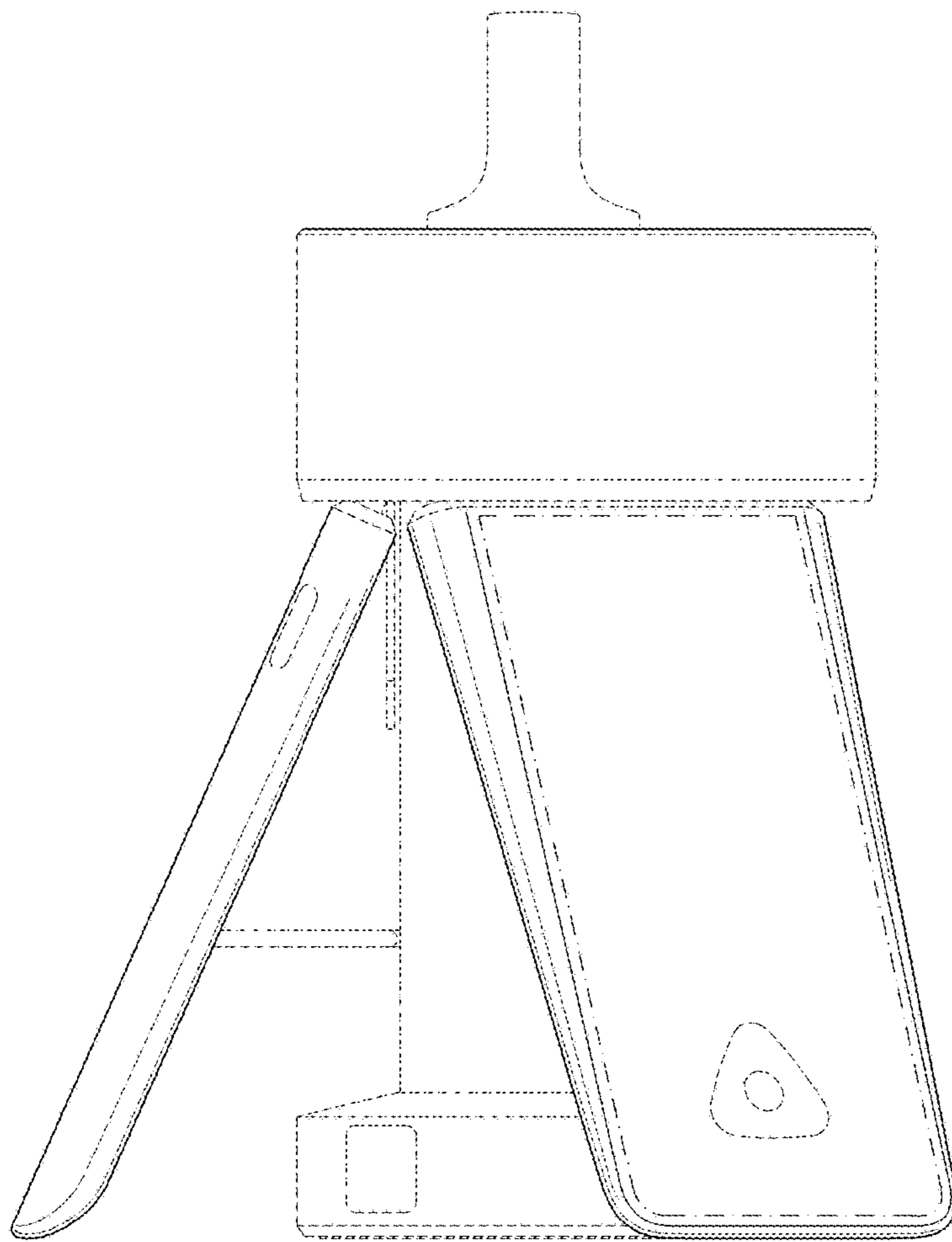


FIG. 5

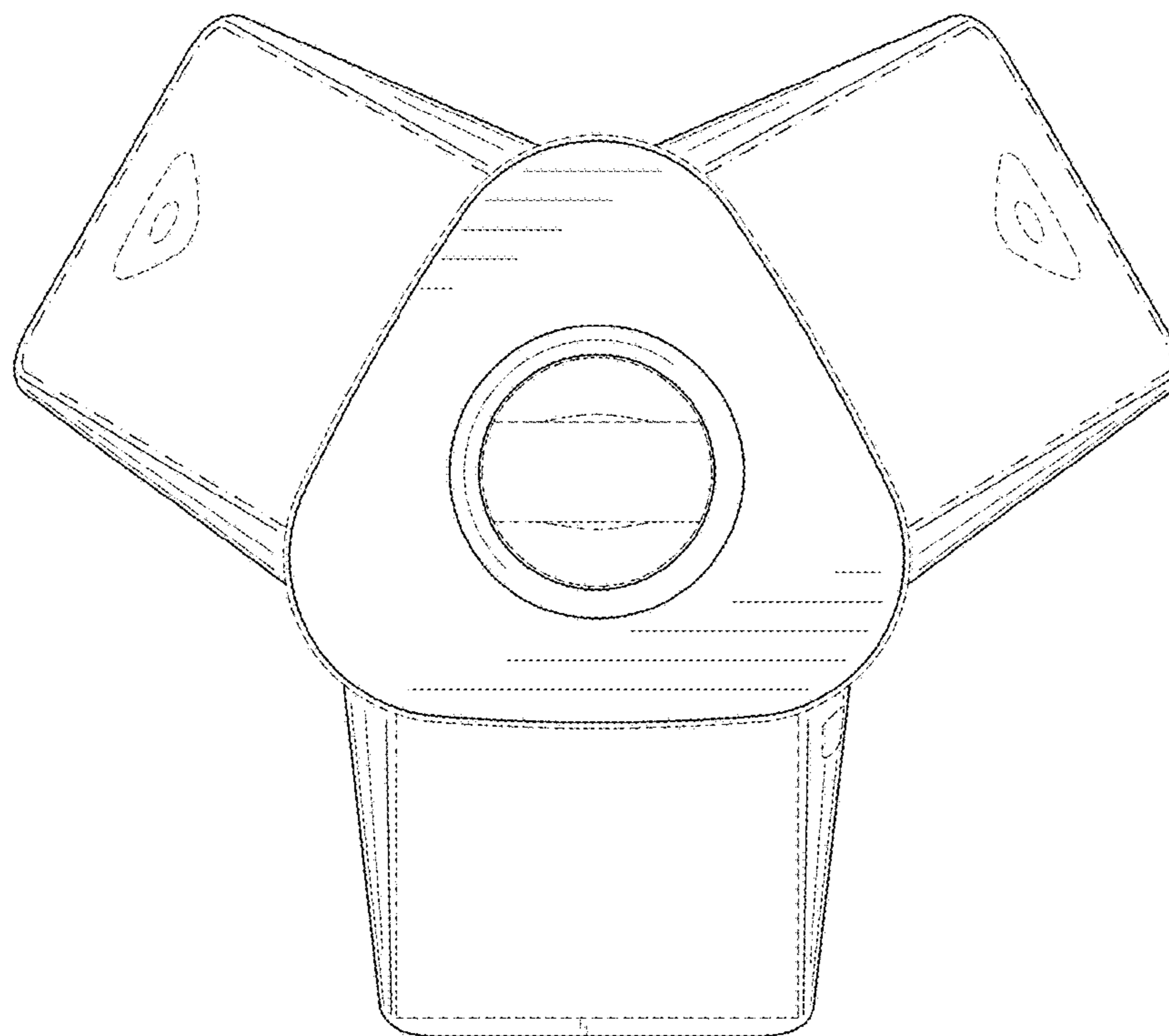


FIG. 6

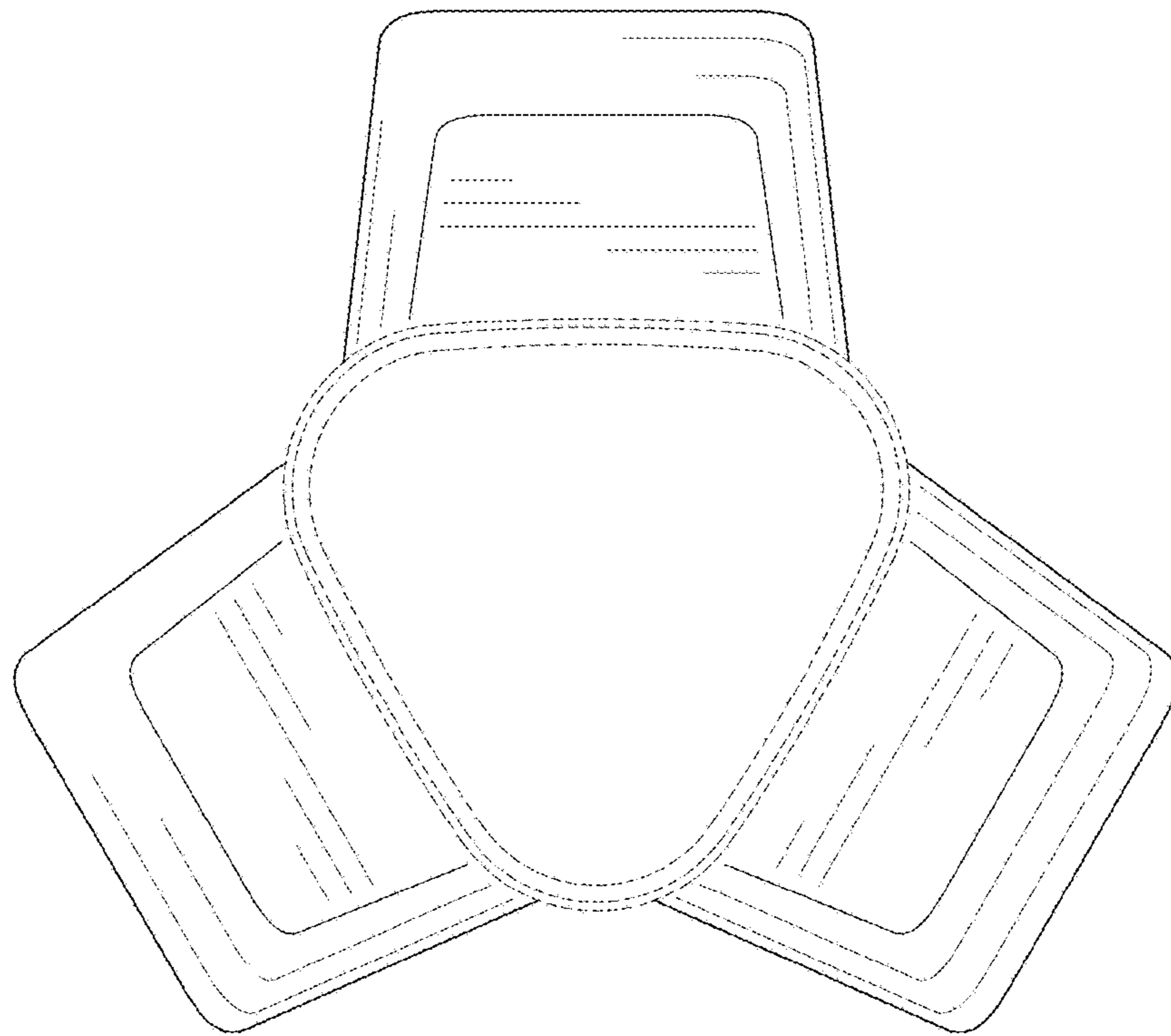


FIG. 7

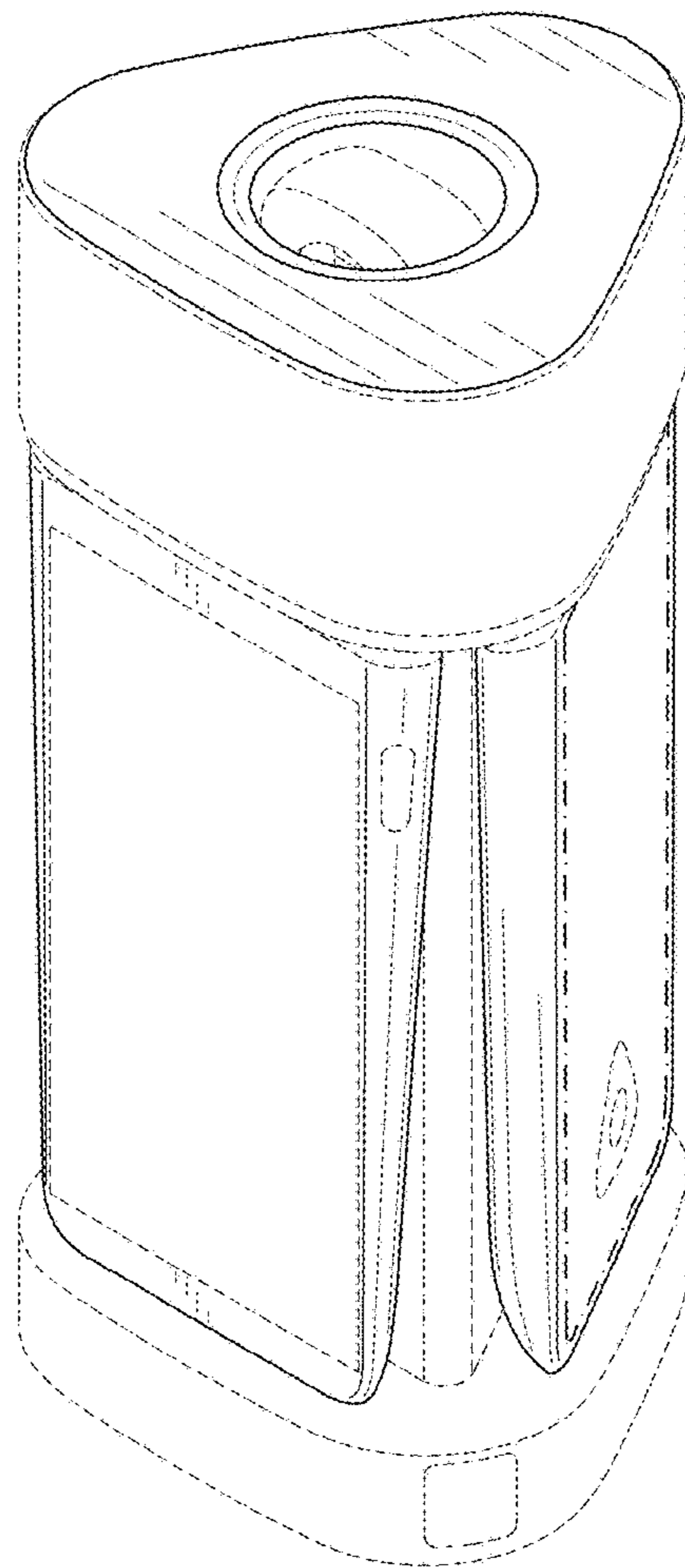


FIG. 8

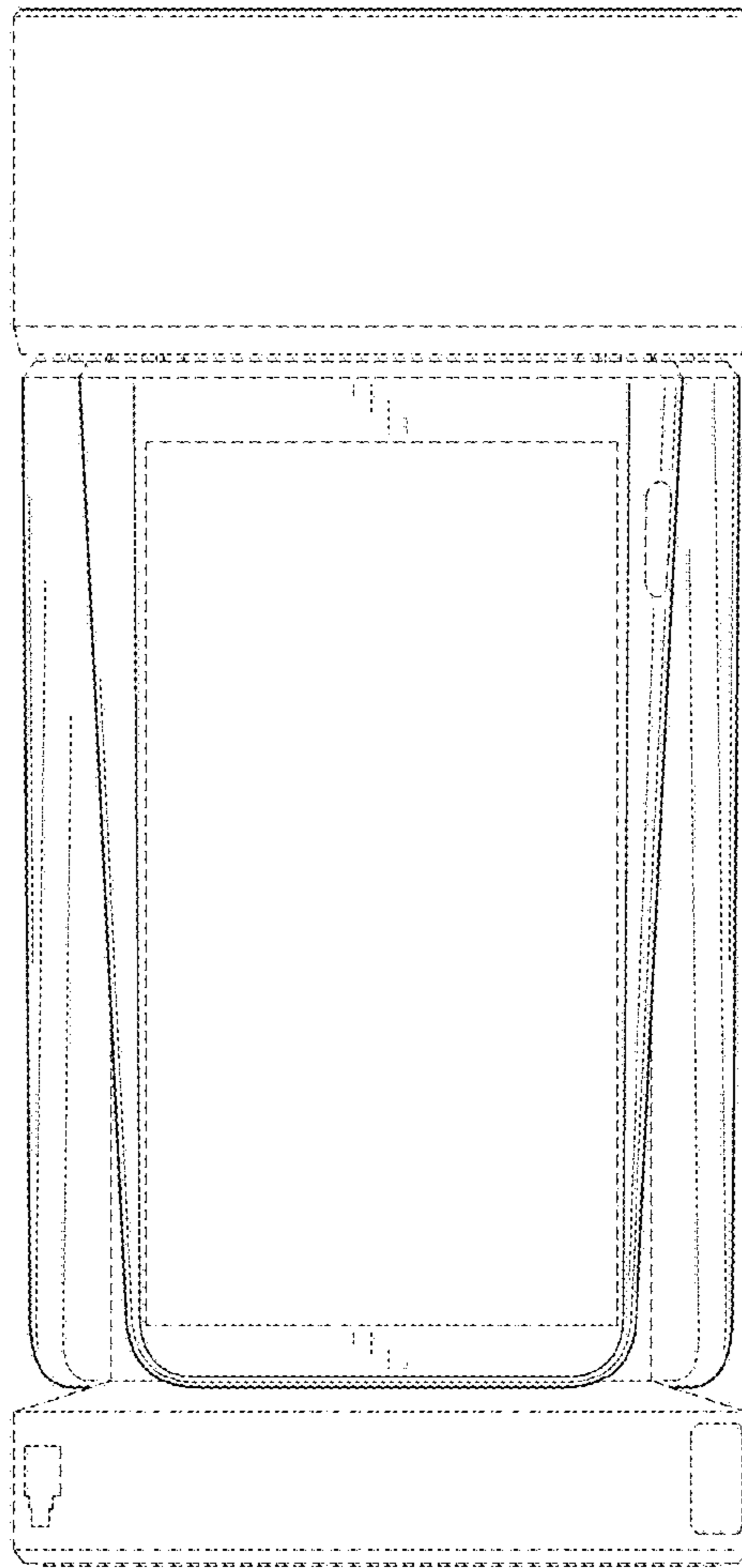


FIG. 9

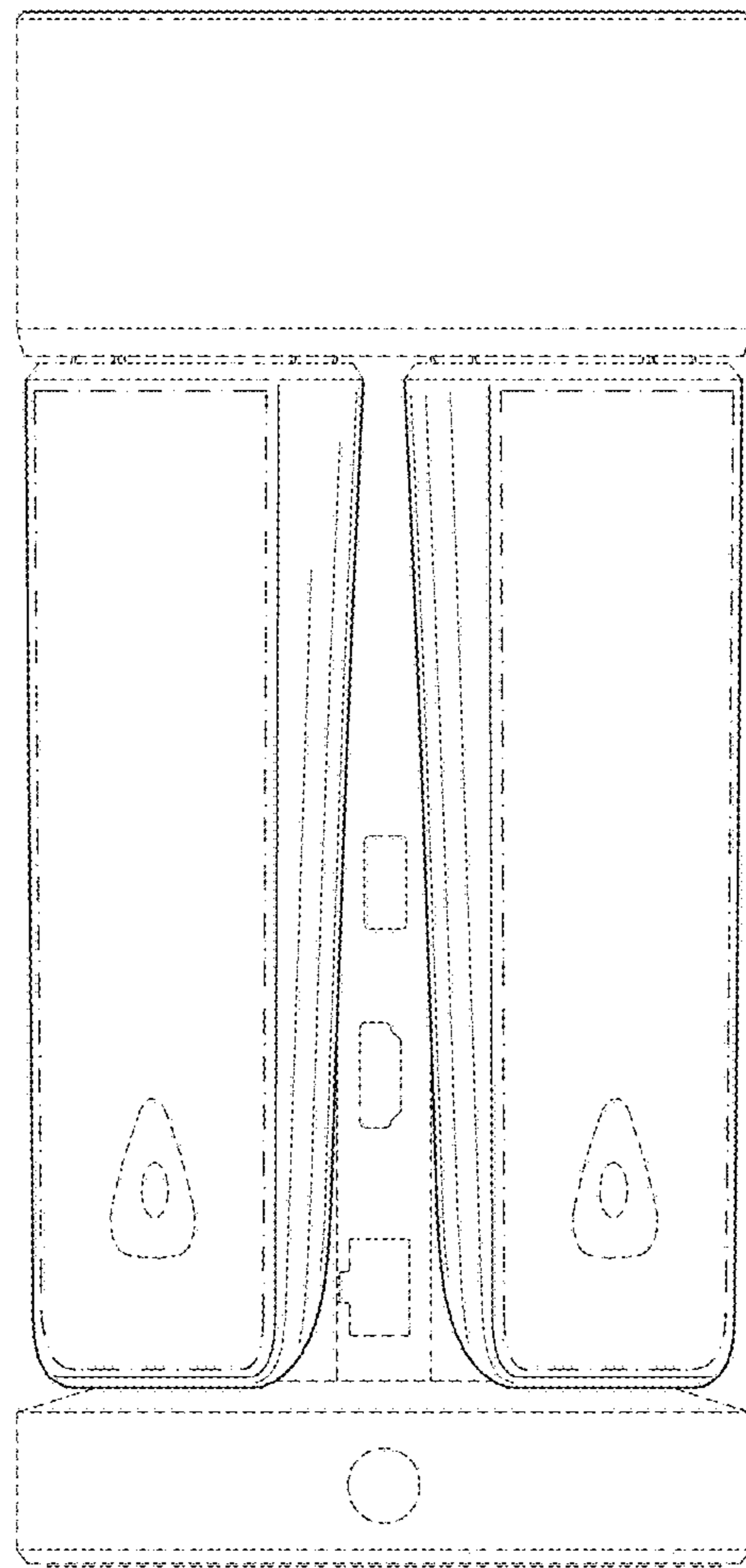


FIG. 10

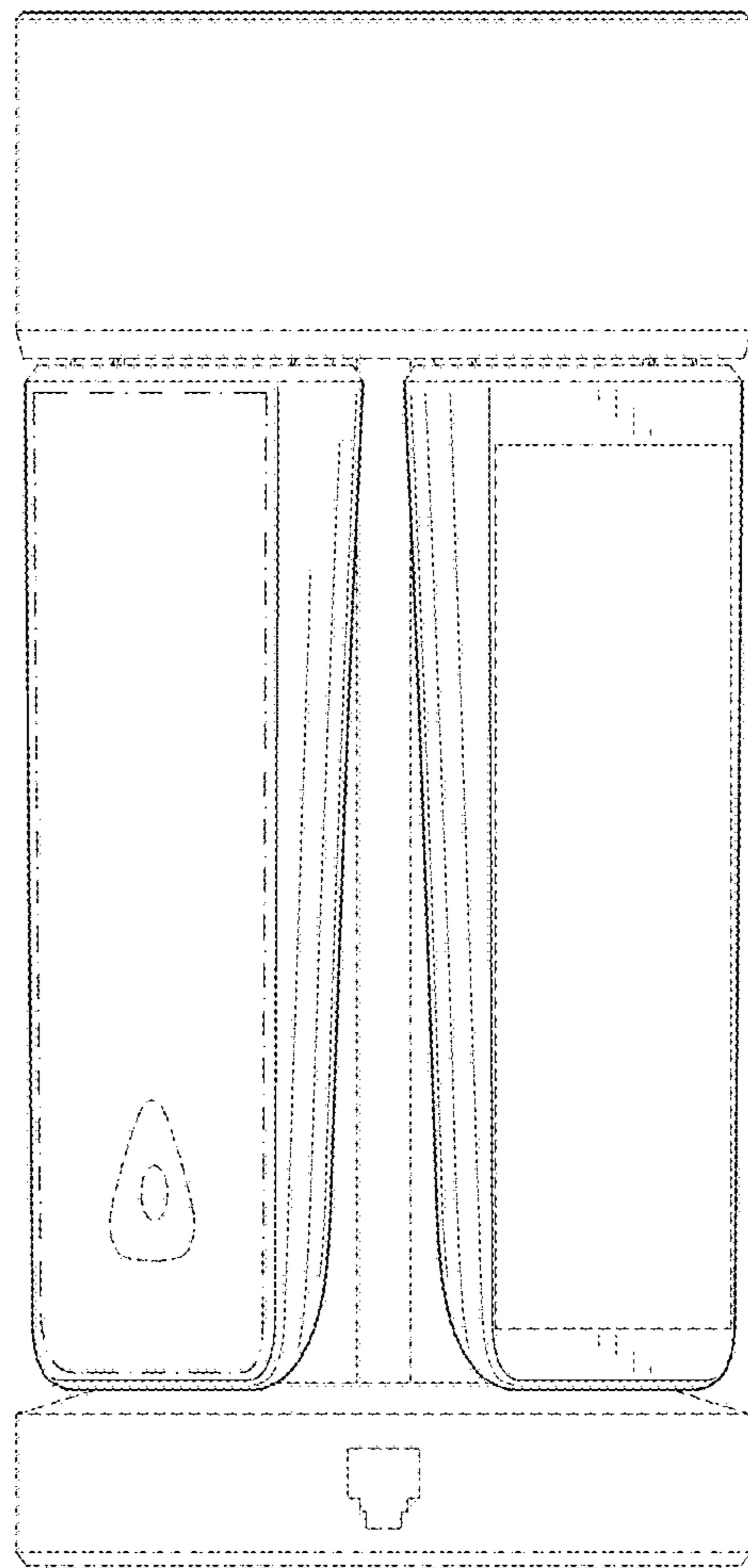


FIG. 11

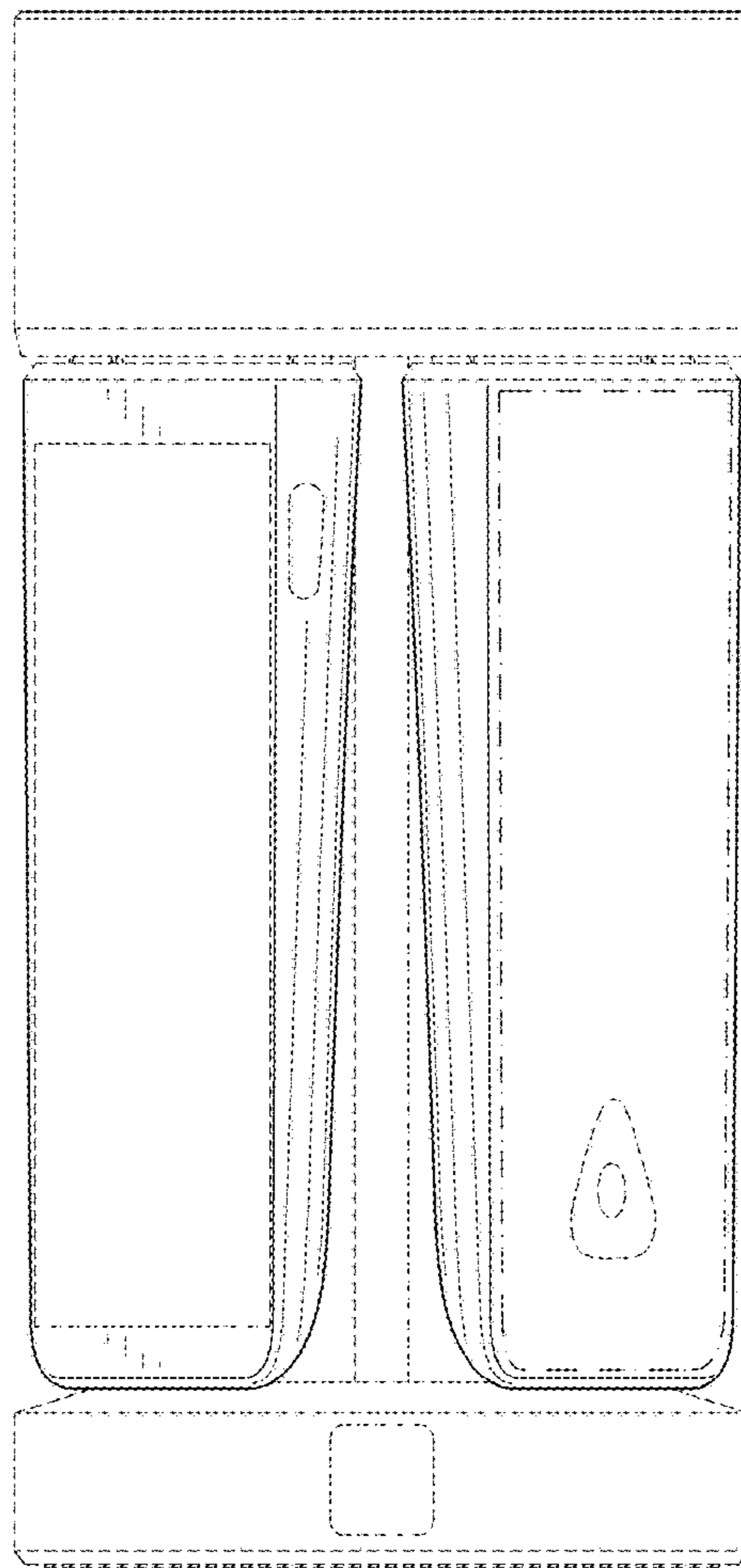


FIG. 12

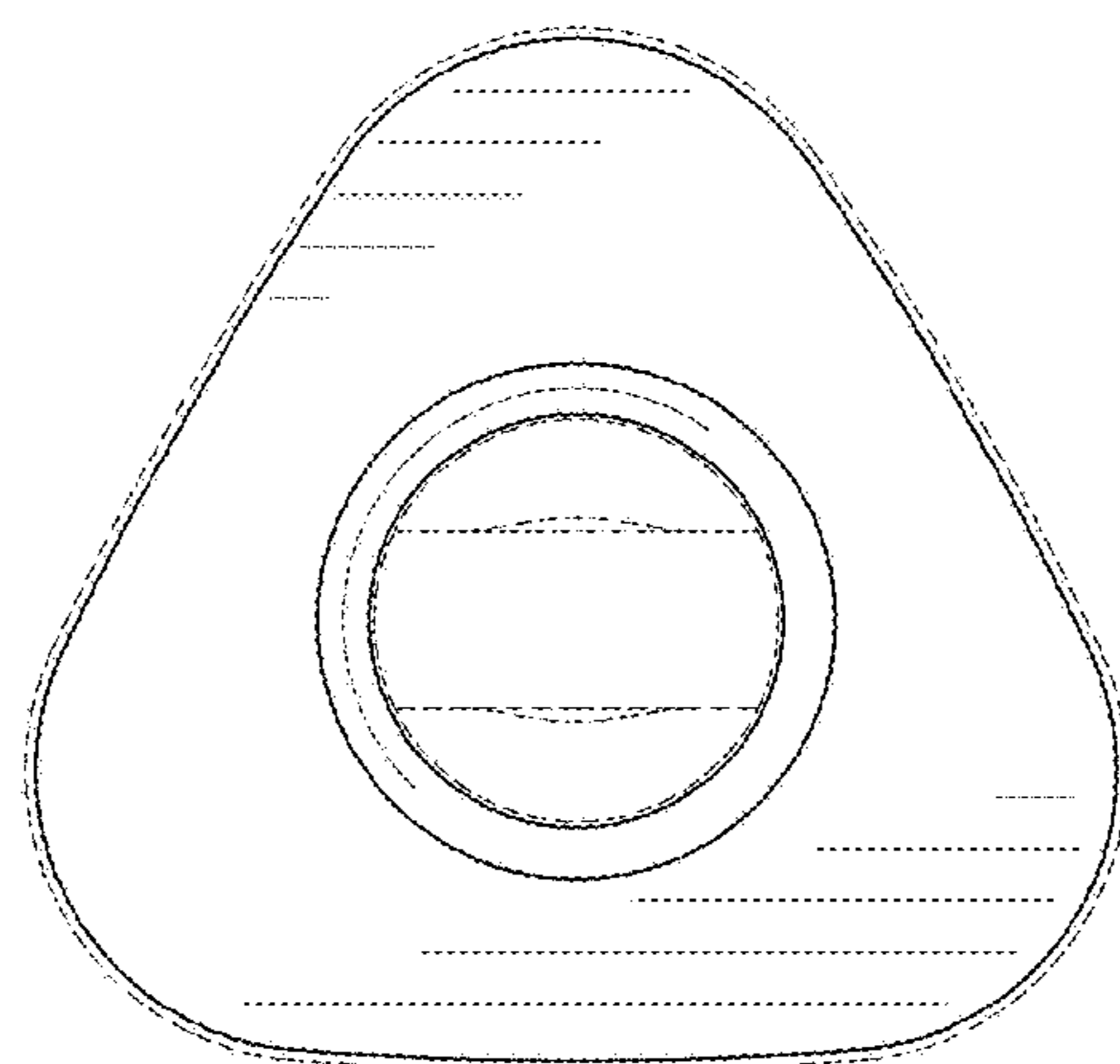


FIG. 13

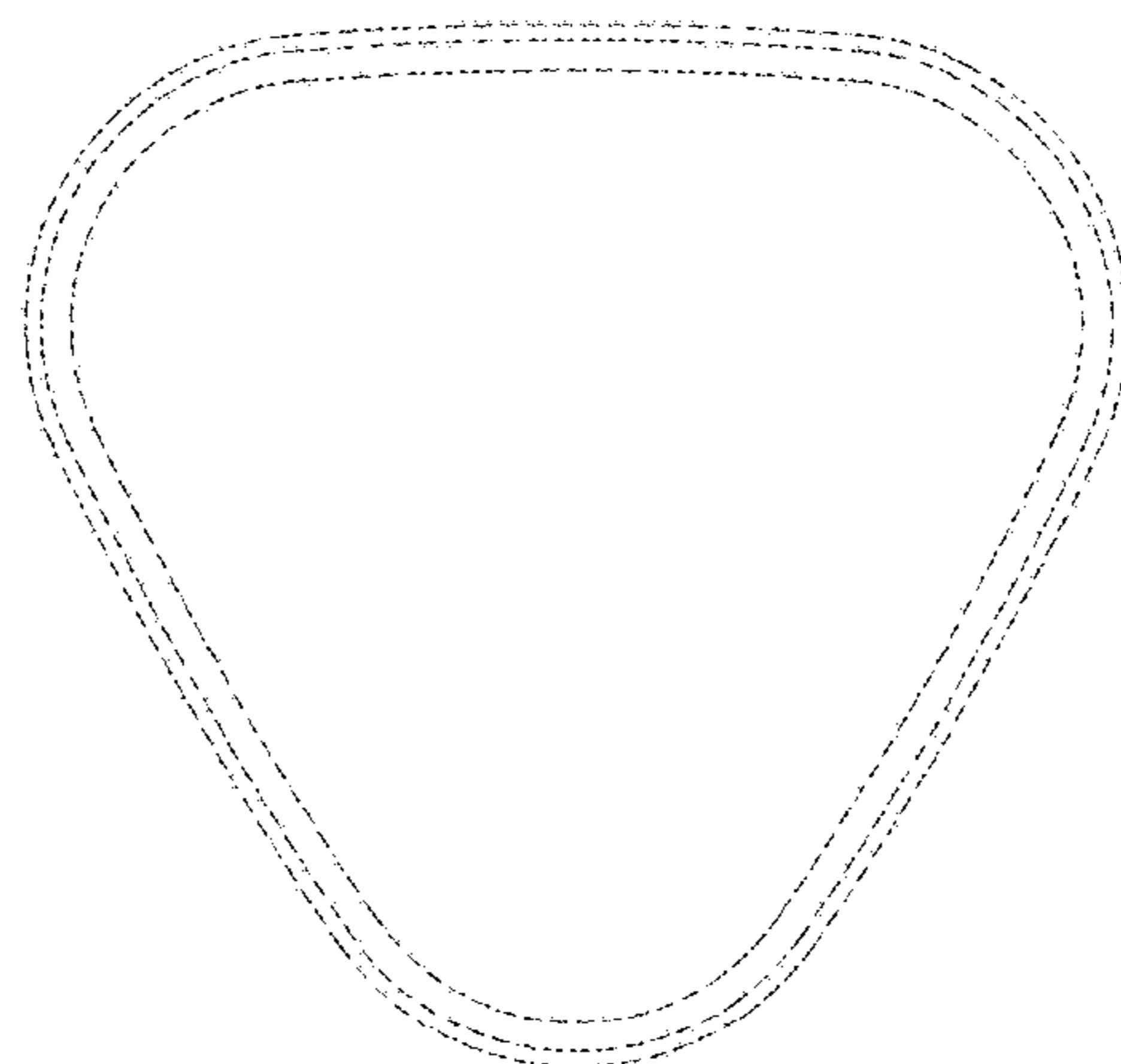


FIG. 14