

US00D846521S

(12) **United States Design Patent**
Nakagawa

(10) **Patent No.:** **US D846,521 S**
(45) **Date of Patent:** **** Apr. 23, 2019**

- (54) **PORTABLE COMMUNICATION DEVICE**
- (71) Applicant: **ICOM INCORPORATED**, Osaka (JP)
- (72) Inventor: **Masashi Nakagawa**, Osaka (JP)
- (73) Assignee: **ICOM INCORPORATED**, Osaka (JP)
- (**) Term: **15 Years**
- (21) Appl. No.: **29/596,160**
- (22) Filed: **Mar. 6, 2017**

- D653,225 S * 1/2012 Yong D14/137
- D654,035 S 2/2012 Ismail
- D670,258 S * 11/2012 Yamamoto D14/137
- D685,753 S * 7/2013 Kang D14/137
- D700,157 S * 2/2014 Kang D14/137
- D700,158 S * 2/2014 Kang D14/137

(Continued)

FOREIGN PATENT DOCUMENTS

- JP D1233557 3/2005
- JP D1244068 6/2005

(Continued)

Primary Examiner — John Windmuller

Assistant Examiner — Benjamin M Weeks

(74) *Attorney, Agent, or Firm* — Birch, Stewart, Kolasch & Birch, LLP

Related U.S. Application Data

- (62) Division of application No. 29/537,253, filed on Aug. 24, 2015, now Pat. No. Des. 810,040.
- (51) **LOC (11) Cl.** **14-03**
- (52) **U.S. Cl.**
USPC **D14/137**
- (58) **Field of Classification Search**
USPC ... D14/138 G, 138 R, 138 AD, 203.1, 203.3,
D14/203.5, 203.6
CPC . G06F 1/1613; H04M 1/0279; H04M 1/0281;
H04M 1/0283
See application file for complete search history.

(57) **CLAIM**

The ornamental design for a portable communication device, as shown and described.

DESCRIPTION

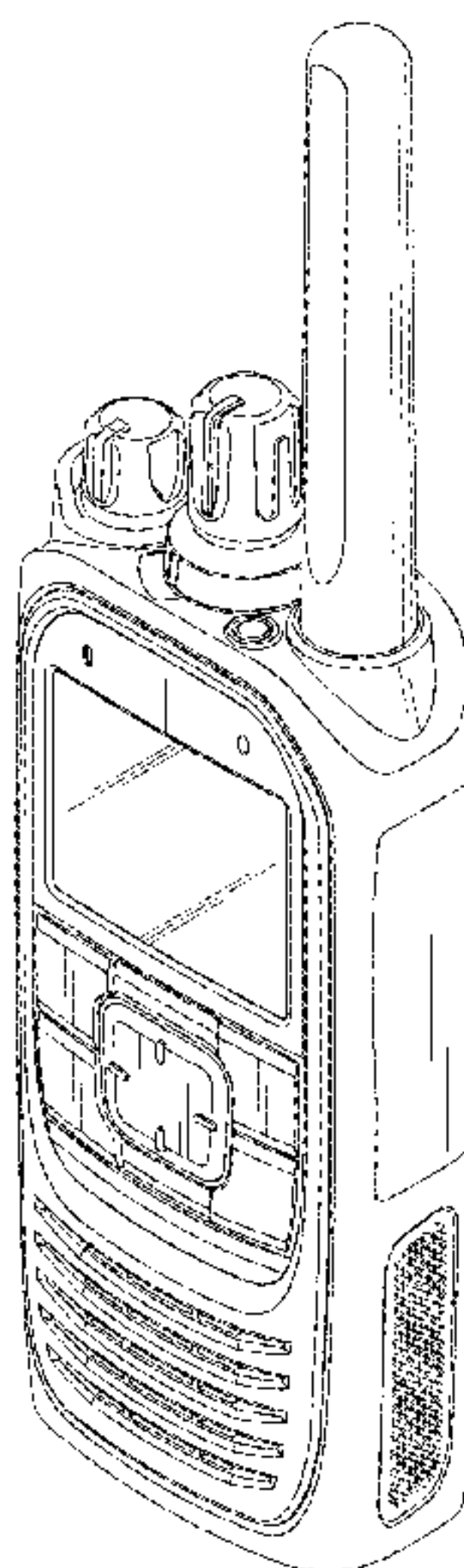
FIG. 1 is a perspective view of the portable communication device;
 FIG. 2 is a front view of the portable communication device;
 FIG. 3 is a rear view of the portable communication device;
 FIG. 4 is a left side view of the portable communication device;
 FIG. 5 is a right side view of the portable communication device;
 FIG. 6 is a top view of the portable communication device;
 and,
 FIG. 7 is a bottom view of the portable communication device.
 The broken lines depict portions of the portable communication device in which the design is embodied that are not considered part of the claimed design.

(56) **References Cited**

U.S. PATENT DOCUMENTS

- D469,069 S 1/2003 Ng
- D576,981 S * 9/2008 Akita D14/137
- D577,699 S 9/2008 Onoue
- D577,700 S 9/2008 Akita
- D600,225 S * 9/2009 Woon D14/137
- D602,893 S * 10/2009 Nishida D14/137
- D607,855 S 1/2010 Nakagawa
- D608,747 S 1/2010 Nakagawa
- D616,844 S * 6/2010 Xia D14/137
- D616,845 S * 6/2010 Xia D14/137
- D645,009 S * 9/2011 Kaminsky D14/137

1 Claim, 4 Drawing Sheets



(56)

References Cited

U.S. PATENT DOCUMENTS

D713,809 S	*	9/2014	Sakata	D14/137
D717,258 S	*	11/2014	Garra	D14/137
D717,259 S	*	11/2014	Ooi	D14/137
D735,157 S		7/2015	Moriya	
D752,040 S		3/2016	Cebe	
D761,223 S		7/2016	Oikawa	
D761,224 S		7/2016	Khairudin	

FOREIGN PATENT DOCUMENTS

JP	D1425625	10/2011
JP	D1445024	7/2012
JP	D1508246	10/2014

* cited by examiner

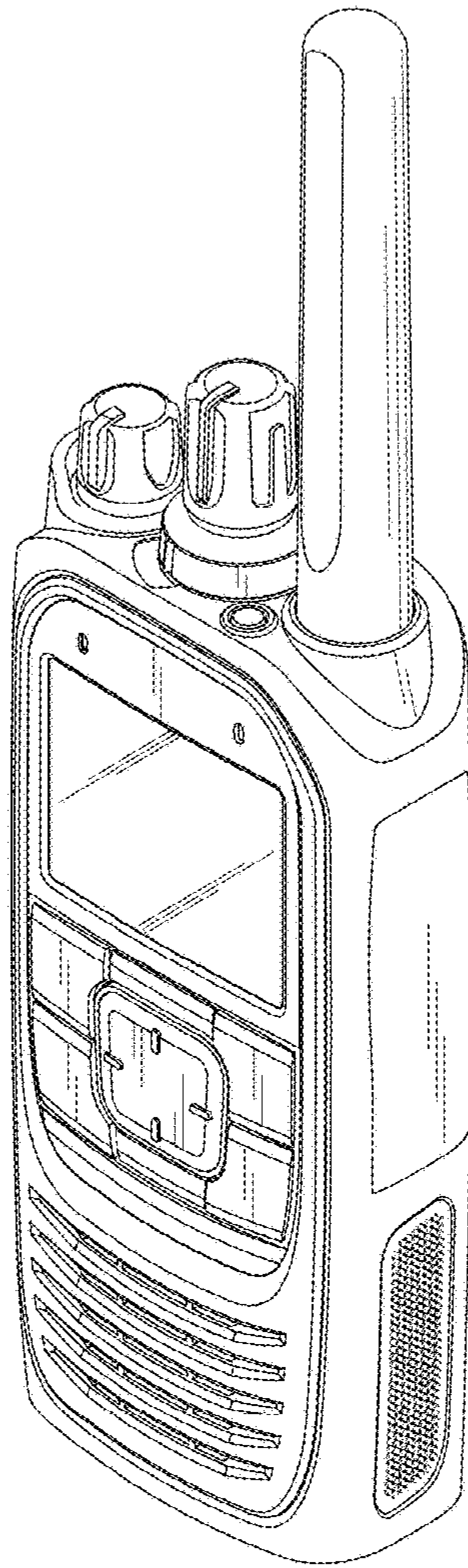


FIG.1

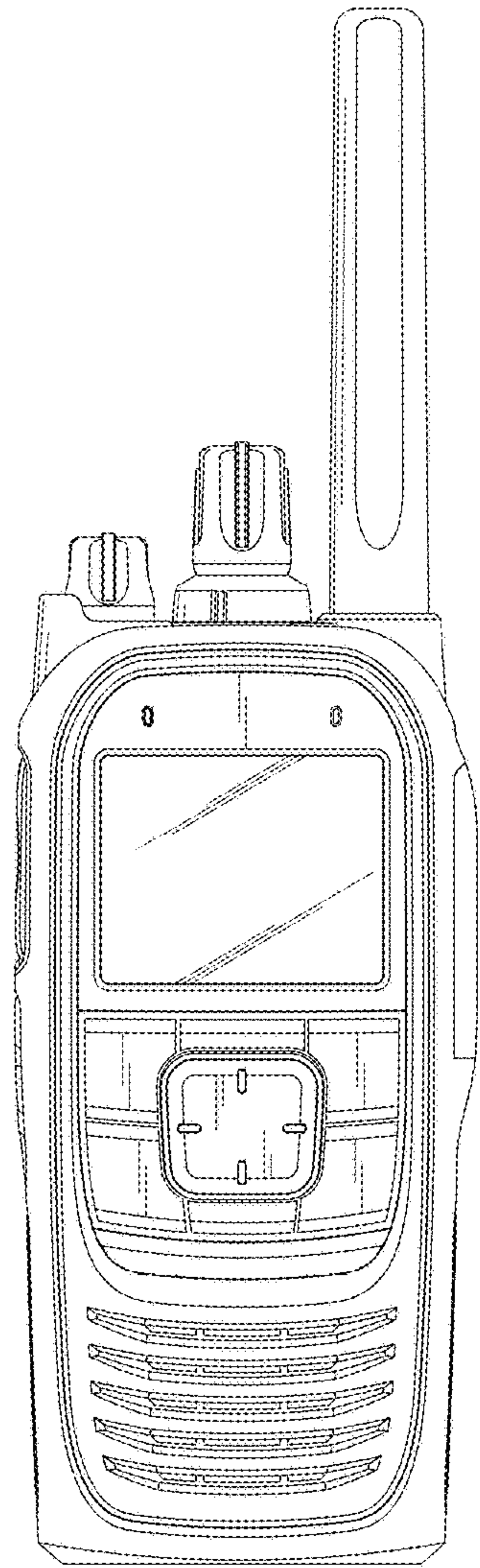


FIG. 2

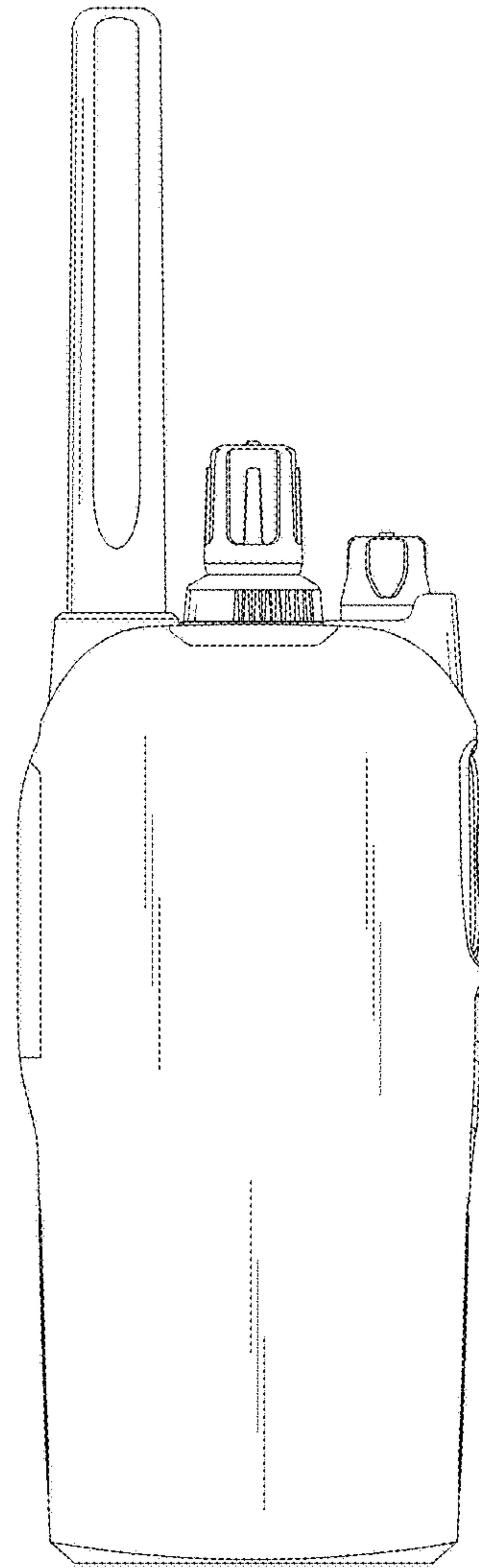


FIG. 3

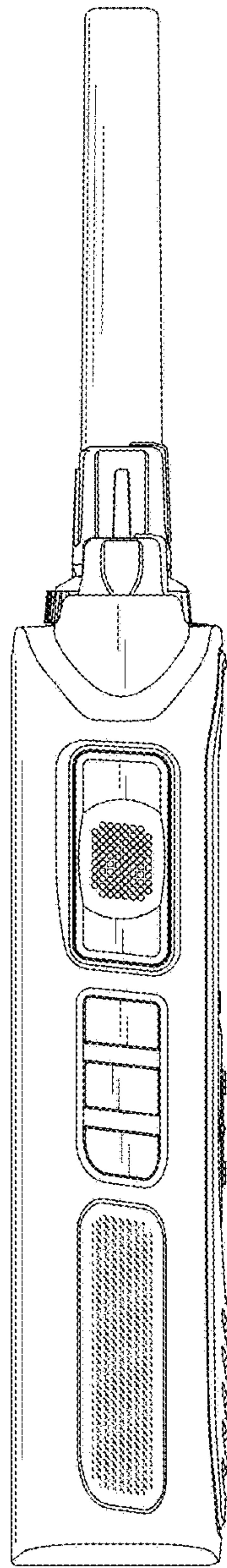


FIG. 4

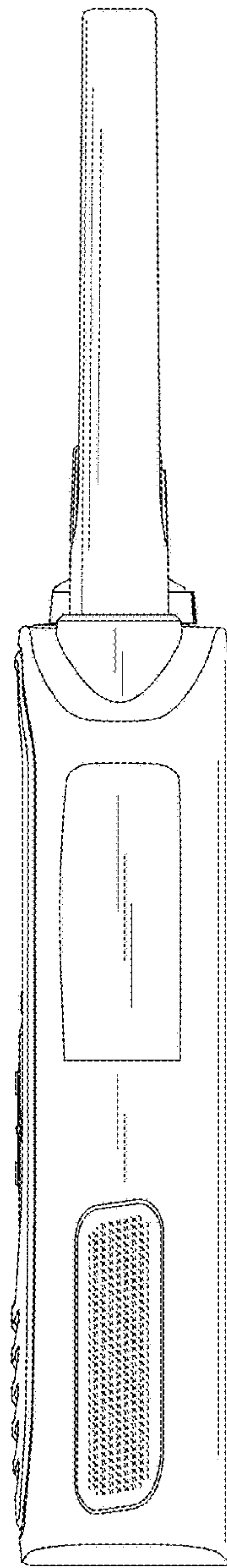


FIG. 5

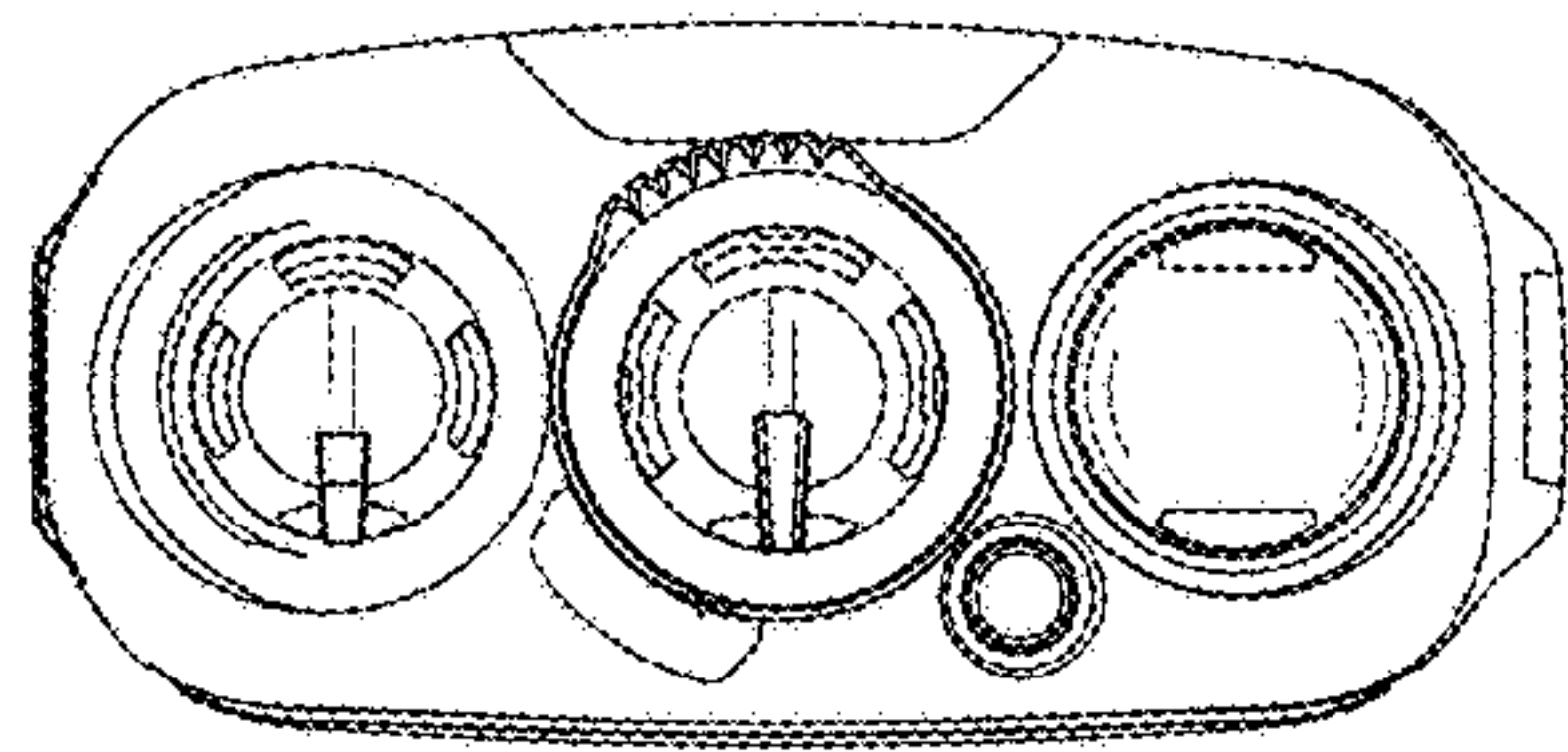


FIG. 6

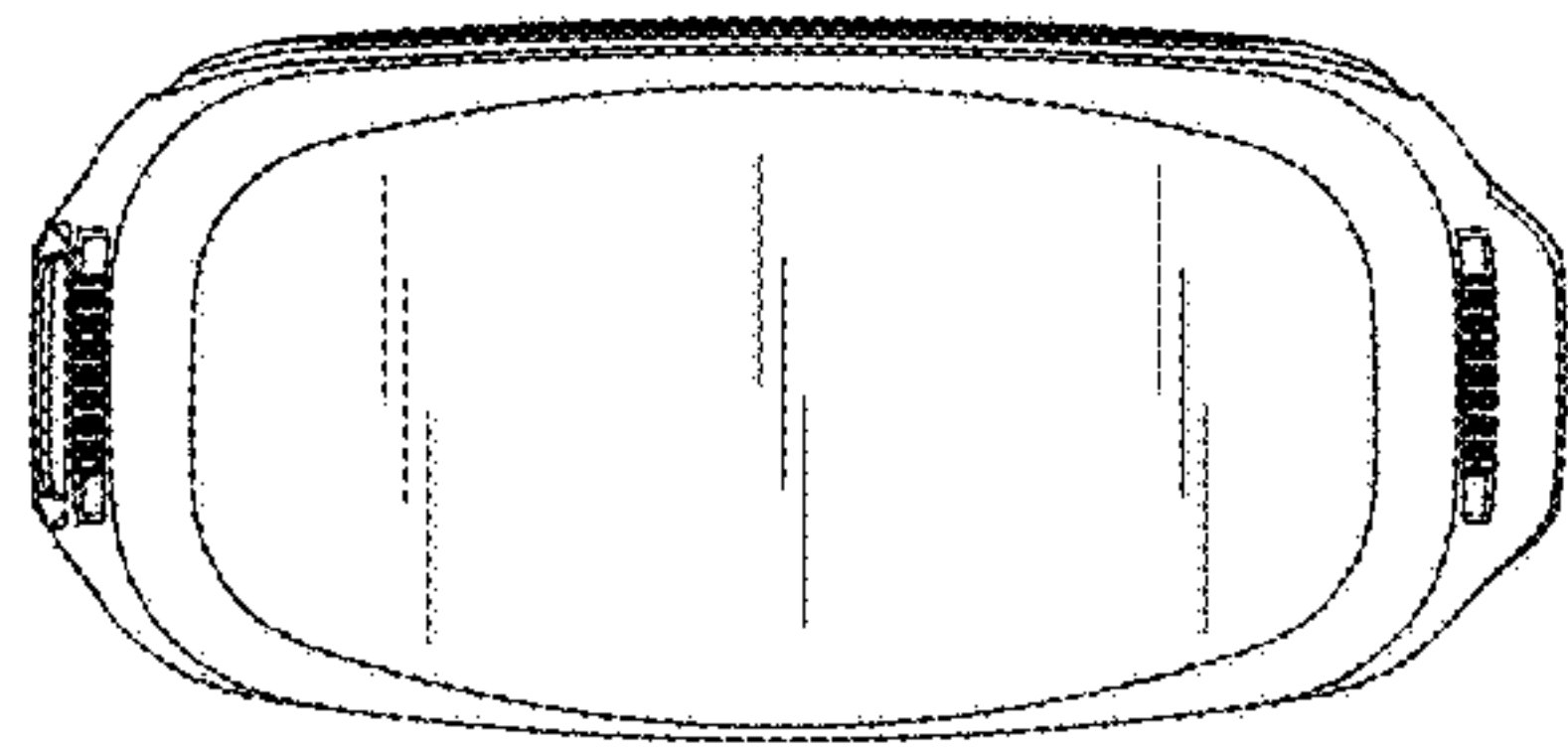


FIG. 7

UNITED STATES PATENT AND TRADEMARK OFFICE
CERTIFICATE OF CORRECTION

PATENT NO. : D846,521 S
APPLICATION NO. : 29/596160
DATED : April 23, 2019
INVENTOR(S) : Masashi Nakagawa

Page 1 of 1

It is certified that error appears in the above-identified patent and that said Letters Patent is hereby corrected as shown below:

On the Title Page

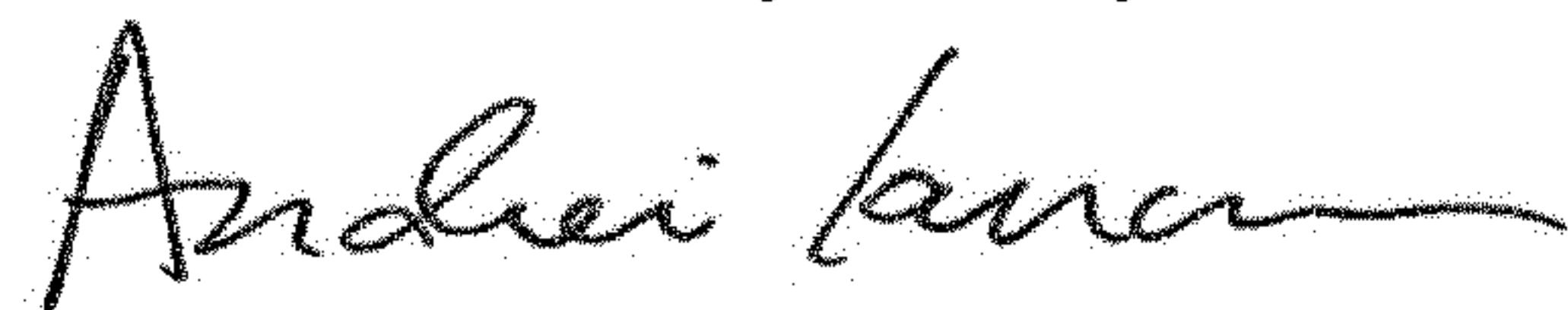
After item (62), please add the following:

(30) Foreign Application Priority Data

Feb. 25, 2015 (JP) 2015-003860

Feb. 25, 2015 (JP) 2015-003861

Signed and Sealed this
Sixteenth Day of July, 2019



Andrei Iancu
Director of the United States Patent and Trademark Office