



US00D846510S

(12) **United States Design Patent**
Oh et al.

(10) **Patent No.:** **US D846,510 S**

(45) **Date of Patent:** **** Apr. 23, 2019**

(54) **LENS FOR LED PACKAGE**

(71) Applicant: **LUMENS CO., LTD.**, Yongin-si,
Gyeonggi-do (KR)

(72) Inventors: **Seunghyun Oh**, Yongin-si (KR);
Seunghoon Lee, Yongin-si (KR);
Sungsik Jo, Yongin-si (KR); **Junghyun**
Park, Yongin-si (KR); **Byeonggeon**
Kim, Yongin-si (KR)

(73) Assignee: **LUMENS CO., LTD.**, Yongin-si (KR)

(**) Term: **15 Years**

(21) Appl. No.: **29/630,332**

(22) Filed: **Dec. 20, 2017**

(30) **Foreign Application Priority Data**

Jul. 28, 2017 (KR) 30-2017-0035149

(51) **LOC (11) Cl.** **13-03**

(52) **U.S. Cl.**
USPC **D13/180**

(58) **Field of Classification Search**
USPC D13/180; D26/1
CPC ... H01L 25/167; H01L 25/0753; H01L 27/15;
H01L 27/156; H01L 31/02; H01L 33/00;
H01L 33/04; H01L 33/08; H01L 33/10;
H01L 33/20; H01L 33/38; H01L 33/42;
H01L 33/48; H01L 33/62; H01L 33/483;
H01L 33/486; F21K 9/00; F21K 9/30;
F21K 9/54

See application file for complete search history.

(56) **References Cited**

U.S. PATENT DOCUMENTS

D512,694 S * 12/2005 Kim D13/180
D517,027 S * 3/2006 Suenaga D13/180
D621,800 S * 8/2010 Hsieh D13/180

D667,383 S * 9/2012 Cho D13/180
D673,127 S * 12/2012 Cho D13/180
D689,451 S * 9/2013 Shimonishi D13/180
D698,744 S * 2/2014 Kobayashi D13/180
D710,809 S * 8/2014 Low D13/180
9,412,724 B2 * 8/2016 Weng H01L 25/0753
D766,470 S * 9/2016 Tauterer D13/180
D770,988 S * 11/2016 Kim D13/180
D776,629 S * 1/2017 Kim D13/180
D790,488 S * 6/2017 Yeh D13/180
D795,206 S * 8/2017 Yeh D13/180
D797,689 S * 9/2017 Yeh D13/180
2007/0241361 A1 * 10/2007 Oishi H01L 33/64
257/99
2012/0037939 A1 * 2/2012 Urano H01L 33/486
257/98

* cited by examiner

Primary Examiner — Selina Sikder

(74) *Attorney, Agent, or Firm* — Mei & Mark LLP

(57) **CLAIM**

The ornamental design for a lens for LED package, as shown and described.

DESCRIPTION

FIG. 1 is a perspective view of the ornamental design of the present invention;
FIG. 2 is a front view of the ornamental design of the present invention;
FIG. 3 is a rear view of the ornamental design of the present invention;
FIG. 4 is a left side view of the ornamental design of the present invention;
FIG. 5 is a right side view of the ornamental design of the present invention;
FIG. 6 is a top view of the ornamental design of the present invention; and,
FIG. 7 is a bottom view of the ornamental design of the present invention.

1 Claim, 3 Drawing Sheets

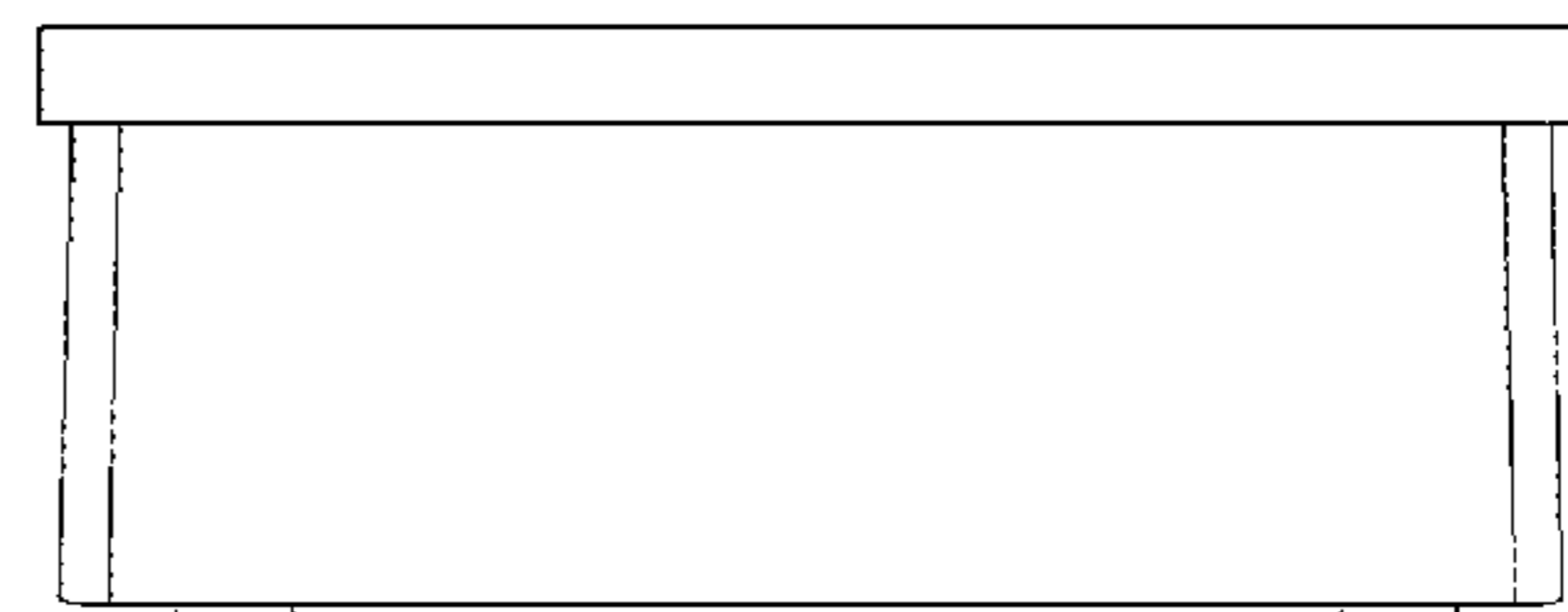
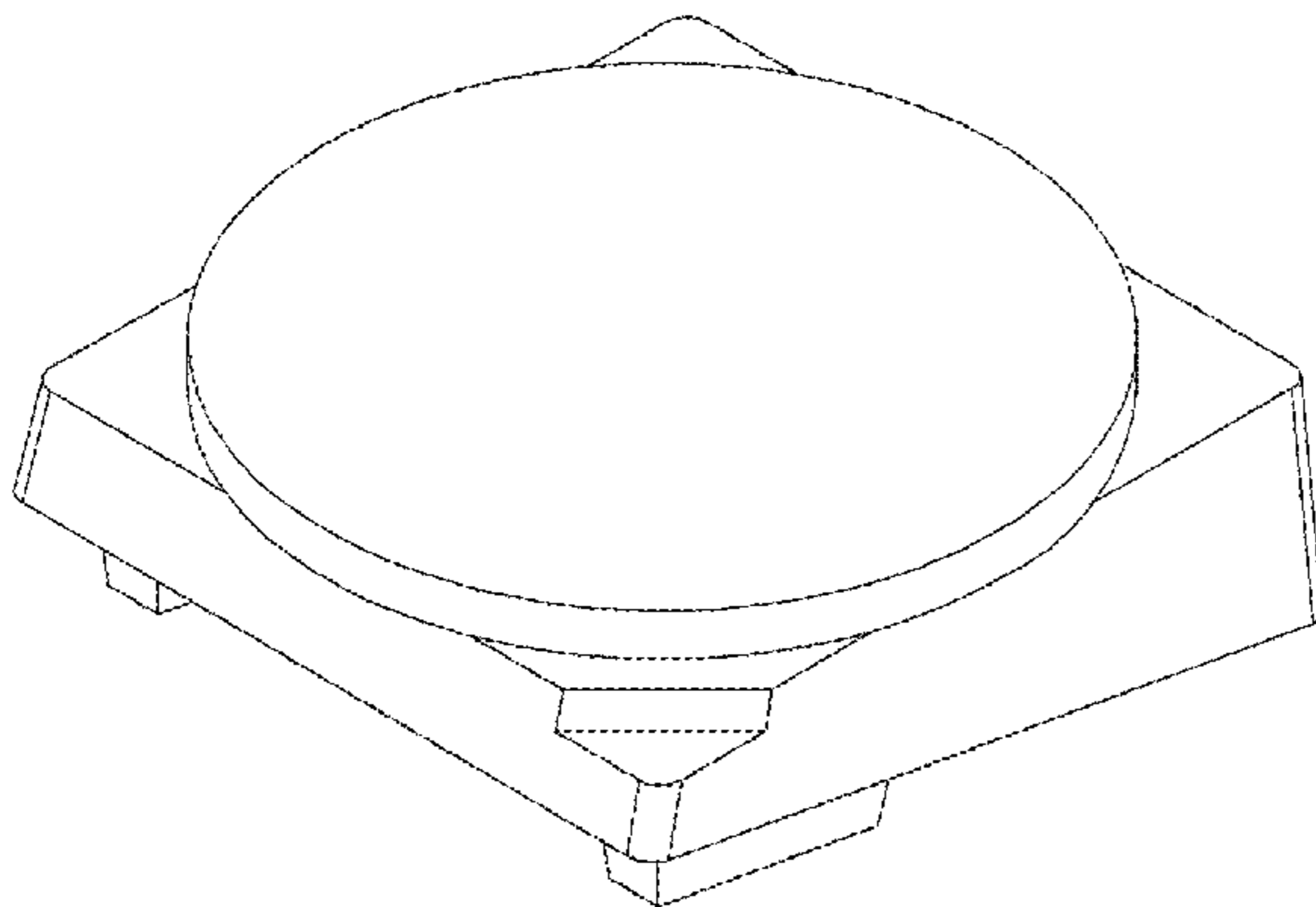


Fig.1

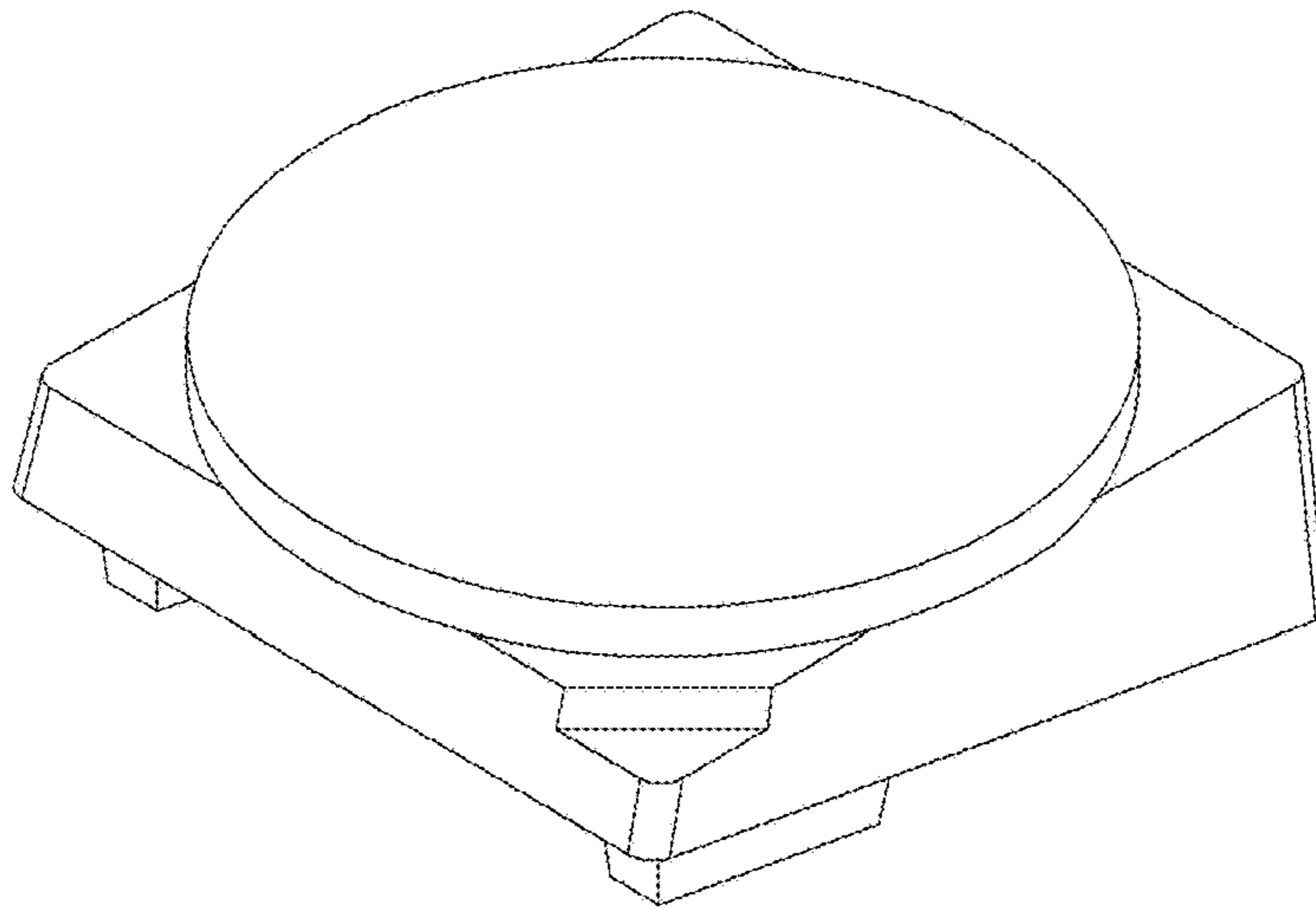


Fig.2

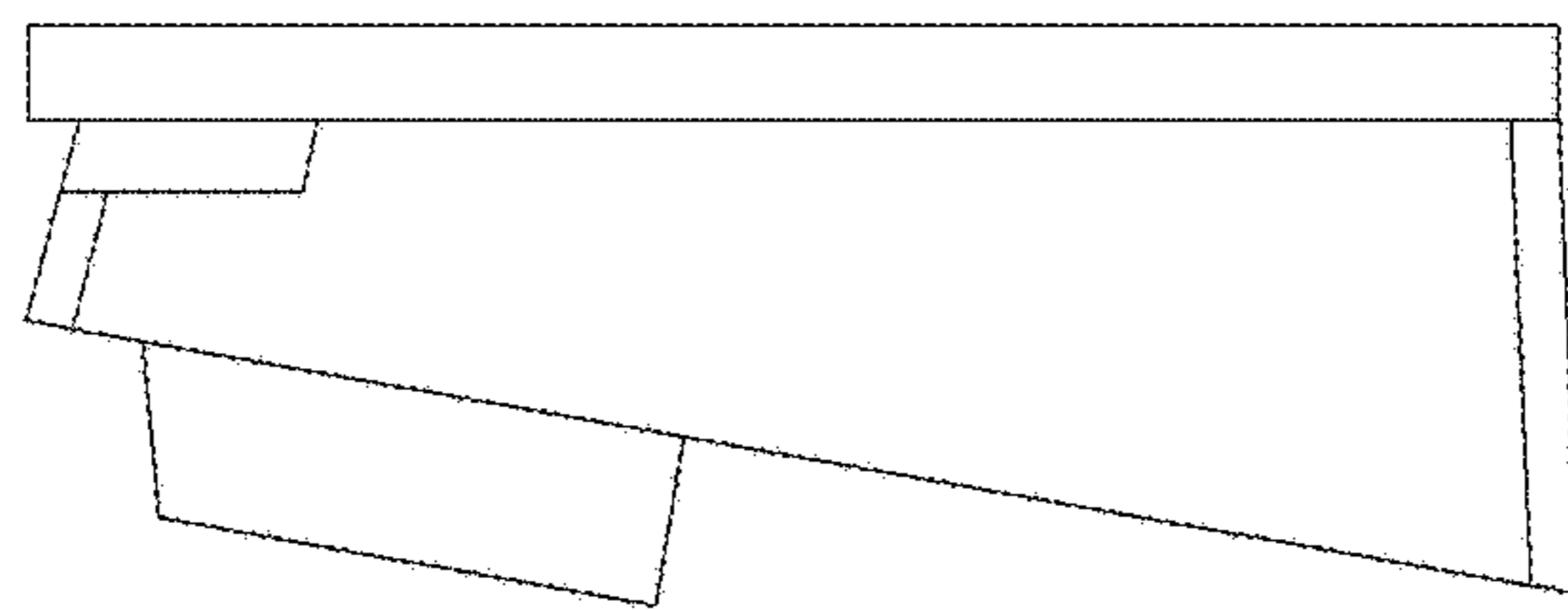


Fig.3

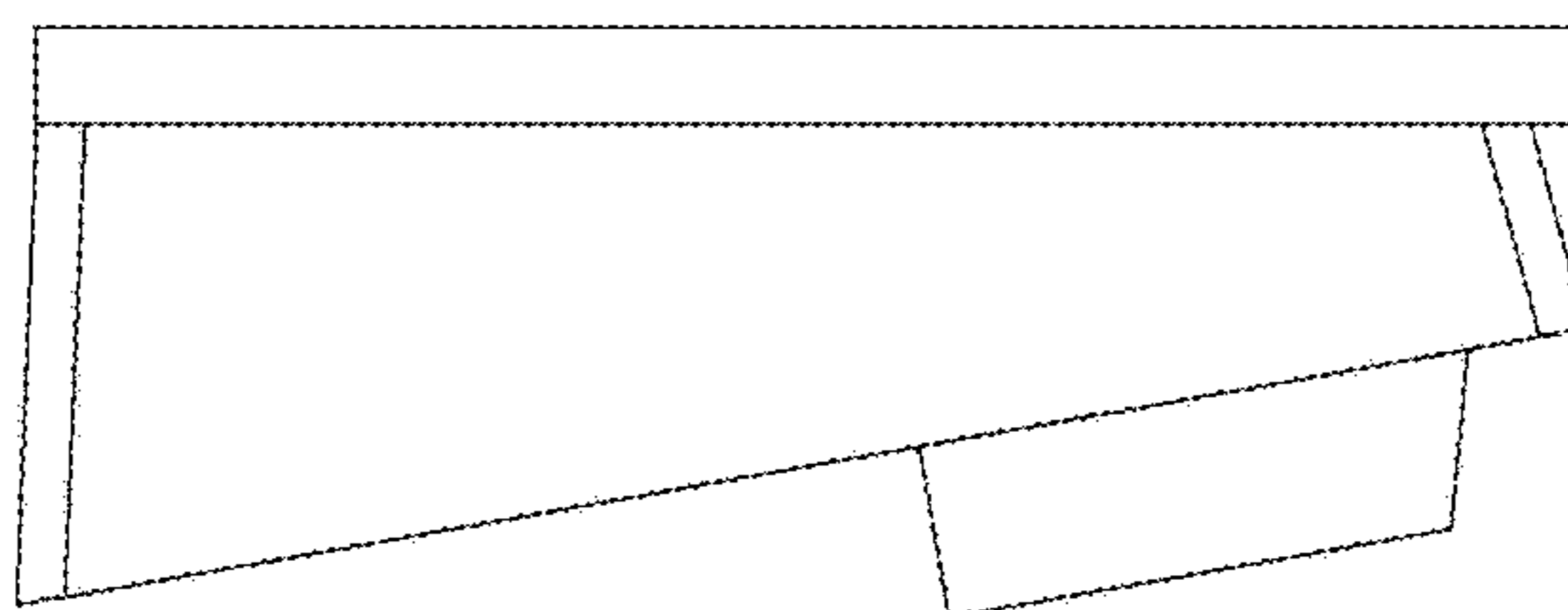


Fig.4

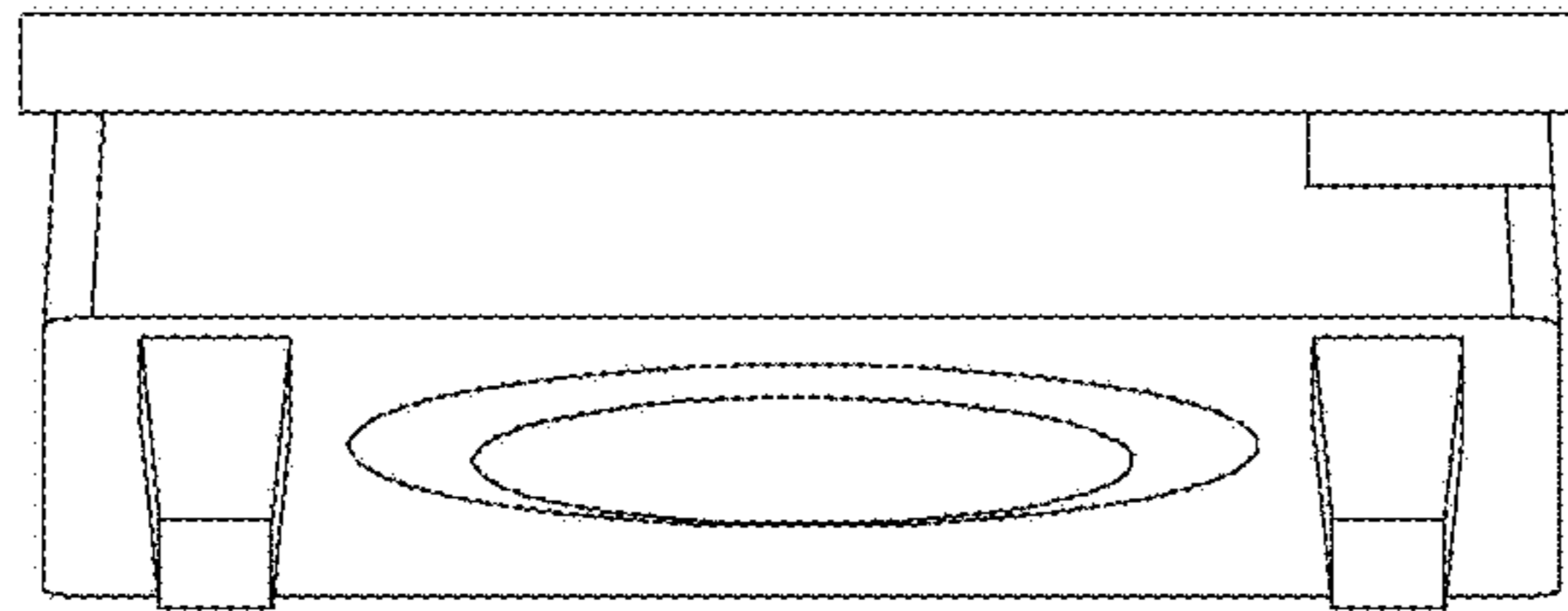


Fig.5

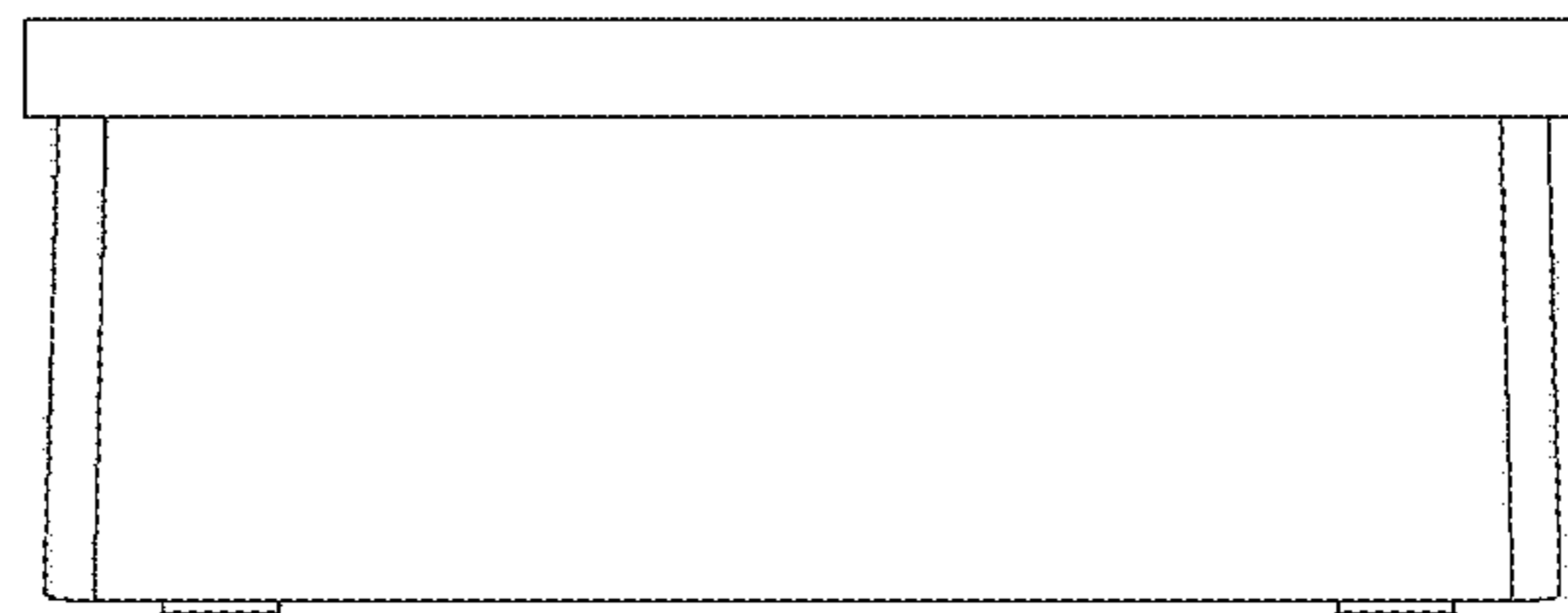


Fig.6

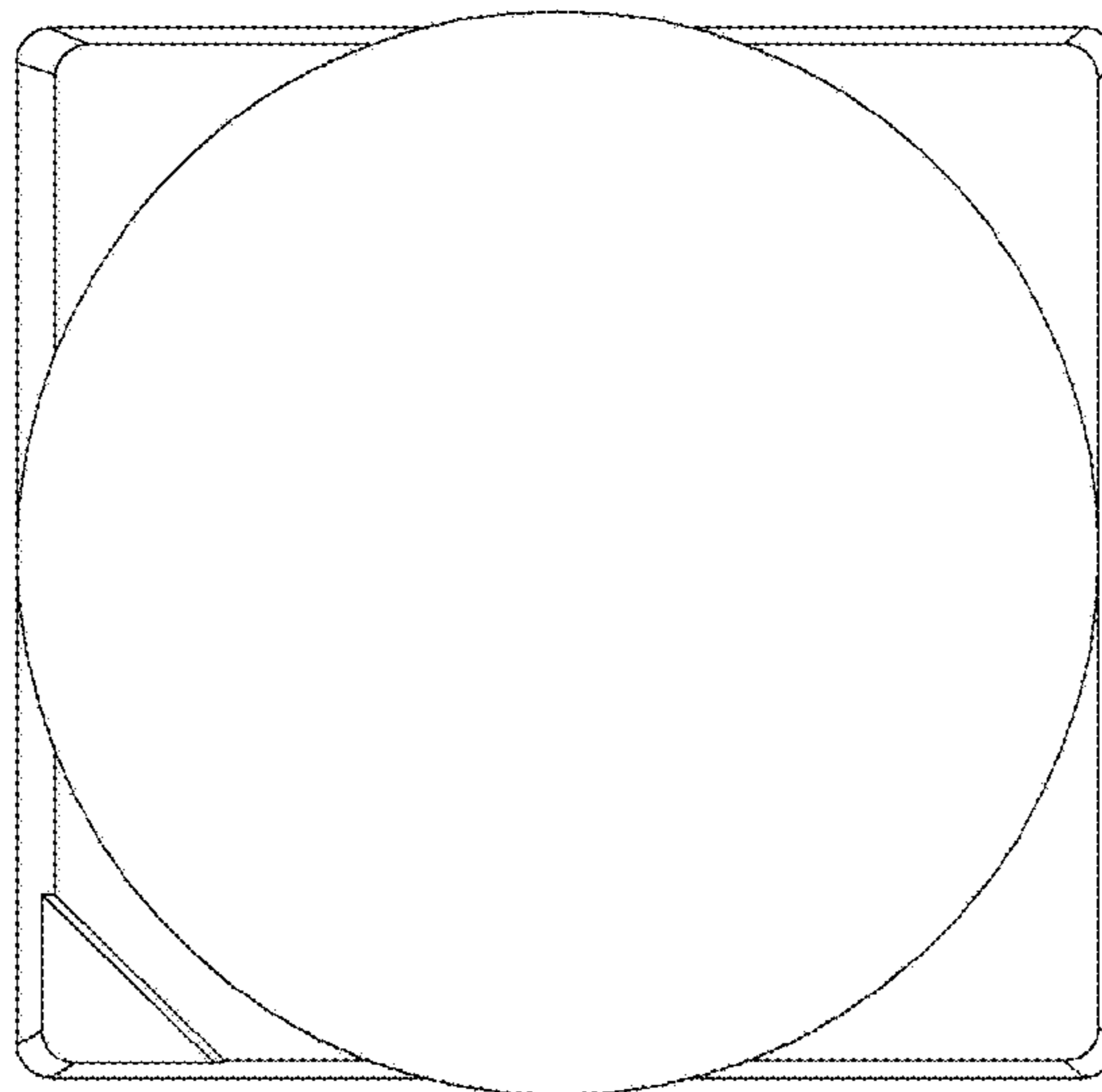


Fig.7

