



US00D846505S

(12) **United States Design Patent** (10) **Patent No.:** **US D846,505 S**
Becker (45) **Date of Patent:** **** Apr. 23, 2019**

(54) **POWER WAND**
(71) Applicant: **DOMETIC SWEDEN AB**, Solna (SE)
(72) Inventor: **Kent A. Becker**, Huntertown, IN (US)
(73) Assignee: **Dometic Sweden AB**, Solna (SE)
(**) Term: **15 Years**

9,047,758 B2 6/2015 Robinson et al.
D737,250 S * 8/2015 Ingham D14/218
D749,509 S * 2/2016 Blau D13/108
D797,060 S * 9/2017 Pham D13/168
2005/0034374 A1* 2/2005 Ebbe G07C 9/00309
49/325
2015/0344125 A1* 12/2015 Petiot B64C 1/062
244/133
2017/0264224 A1* 9/2017 Becker H02P 7/03

(21) Appl. No.: **29/584,841**
(22) Filed: **Nov. 17, 2016**
(51) **LOC (11) Cl.** **14-03**
(52) **U.S. Cl.**
USPC **D13/168**
(58) **Field of Classification Search**
USPC D13/162, 168; D14/218; D6/580
CPC H03J 1/0025; H03J 9/00; H03J 9/02; H03J
9/04; H03J 9/06; H01H 9/0235; A47H
5/0325; E06B 9/32; E06B 9/322; E06B
9/3222; E06B 9/68; E06B 9/70; H02P
1/16; H02P 7/03
See application file for complete search history.

FOREIGN PATENT DOCUMENTS

AU 201712804 5/2017
CA 179312 5/2018

OTHER PUBLICATIONS

Transmittal Letter of Related Cases.

(Continued)

Primary Examiner — Selina Sikder

(74) *Attorney, Agent, or Firm* — Middleton Reutlinger

(57) **CLAIM**

The ornamental design for a power wand, as shown and described.

(56) **References Cited**

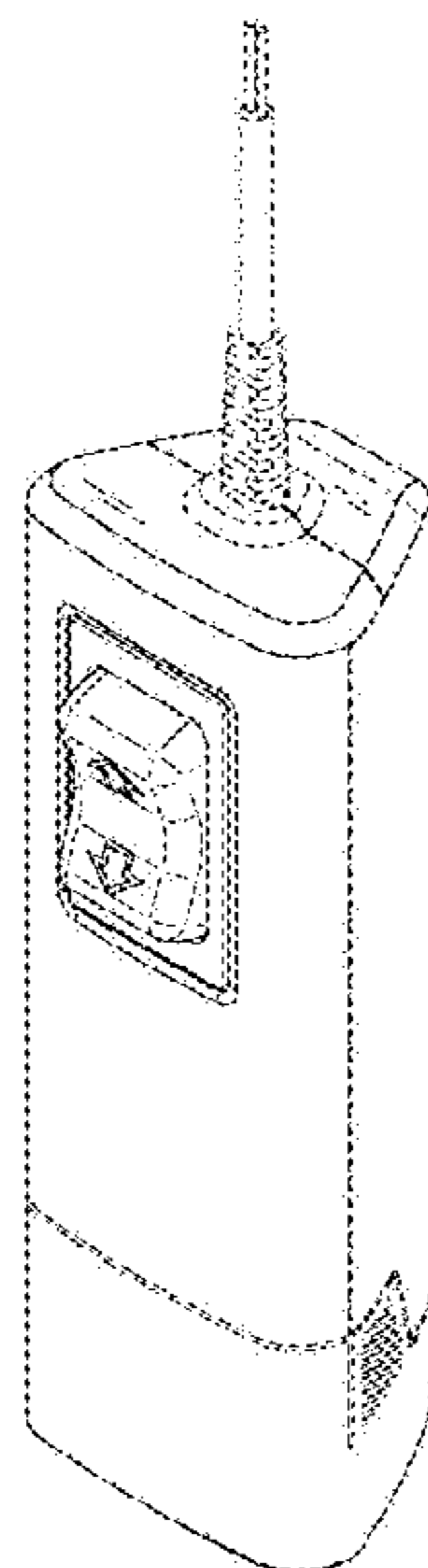
U.S. PATENT DOCUMENTS

6,812,662 B1* 11/2004 Walker E06B 9/322
136/243
D534,897 S * 1/2007 Bhakta D14/204
D551,208 S * 9/2007 Yano D14/172
D564,978 S * 3/2008 Koury D13/168
D573,134 S * 7/2008 Milks D14/214
D653,652 S * 2/2012 Kroyer D14/214
D664,947 S * 8/2012 Choi D14/218
D672,333 S * 12/2012 Lin D14/212
D686,192 S * 7/2013 Widner D14/212
D687,416 S * 8/2013 Lee D14/218
D698,338 S * 1/2014 Ingham D14/218
D718,750 S * 12/2014 Young D14/203.7

DESCRIPTION

FIG. 1 is a front perspective view of a power wand design; FIG. 2 is a rear perspective view of the design of FIG. 1; FIG. 3 is a front view of the design of FIG. 1; FIG. 4 is a rear view of the design of FIG. 1; FIG. 5 is a right side view of the design of FIG. 1; FIG. 6 is a left side view of the design of FIG. 1; FIG. 7 is a top view of the design of FIG. 1; and, FIG. 8 is a bottom view of the design of FIG. 1. The broken lines illustrating portions of the power wand form no part of the claimed design.

1 Claim, 8 Drawing Sheets



(56)

References Cited

OTHER PUBLICATIONS

Australian Patent Office; Australian Design Patent Application No. 201712804 entitled "Power Wand for Awning" filed May 10, 2017.

Canadian Intellectual Property Office; Canadian Divisional Design Patent Application No. [TBD] entitled "Power Wand" filed on Jan. 22, 2018.

Canadian Intellectual Property Office; Canadian Design Patent Application No. 174706 entitled "Power Wand" filed on May 10, 2017.

US Patent and Trademark Office, Divisional Design U.S. Appl. No. 29/643,437, filed Apr. 9, 2018 entitled "Power Wand".

Canadian Intellectual Property Office; Canadian Patent Application No. 2,948,710 entitled "Power Wand and Method of Use" filed on Nov. 17, 2016.

United States Patent and Trademark Office; U.S. Appl. No. 15/354,463 entitled "Power Wand and Method of Use", filed Nov. 17, 2016.

Canadian Intellectual Property Office; Canadian Design Patent Application No. [TBD] entitled "Power Wand" filed on May 8, 2017.

* cited by examiner

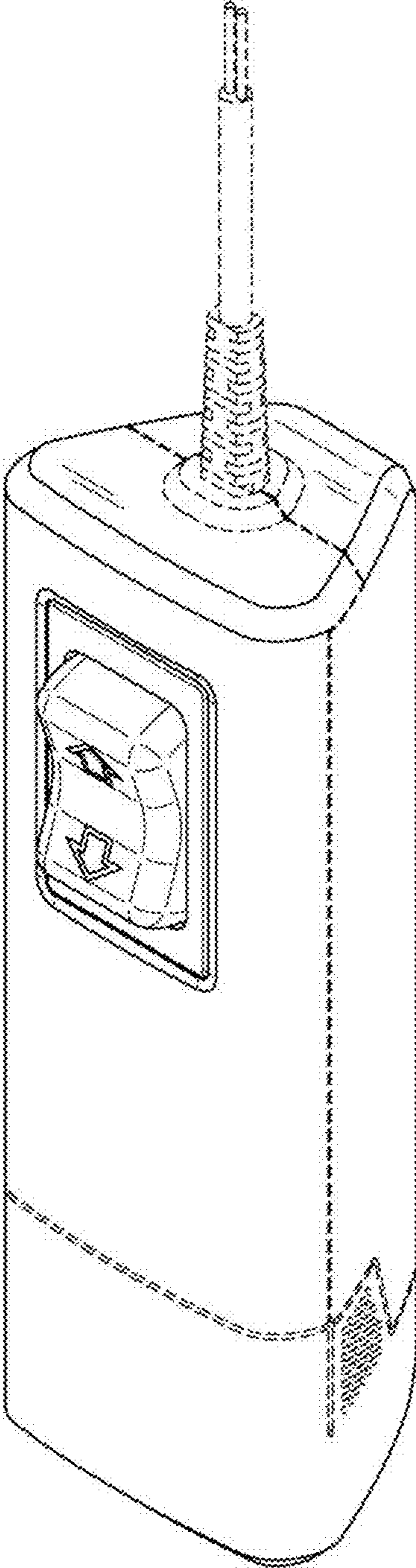


FIG. 1

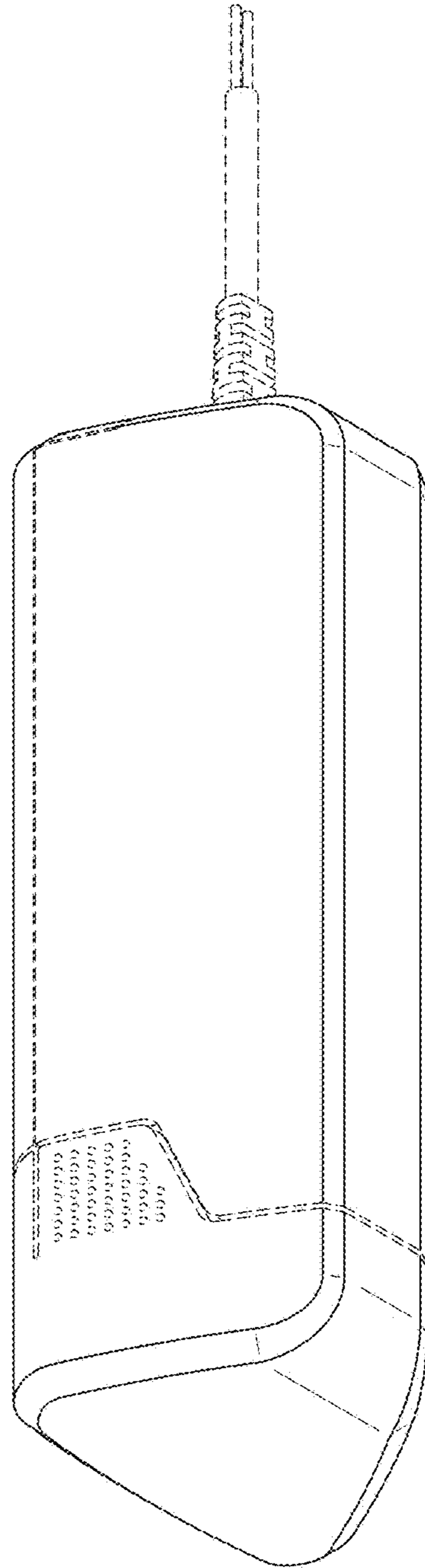


FIG. 2

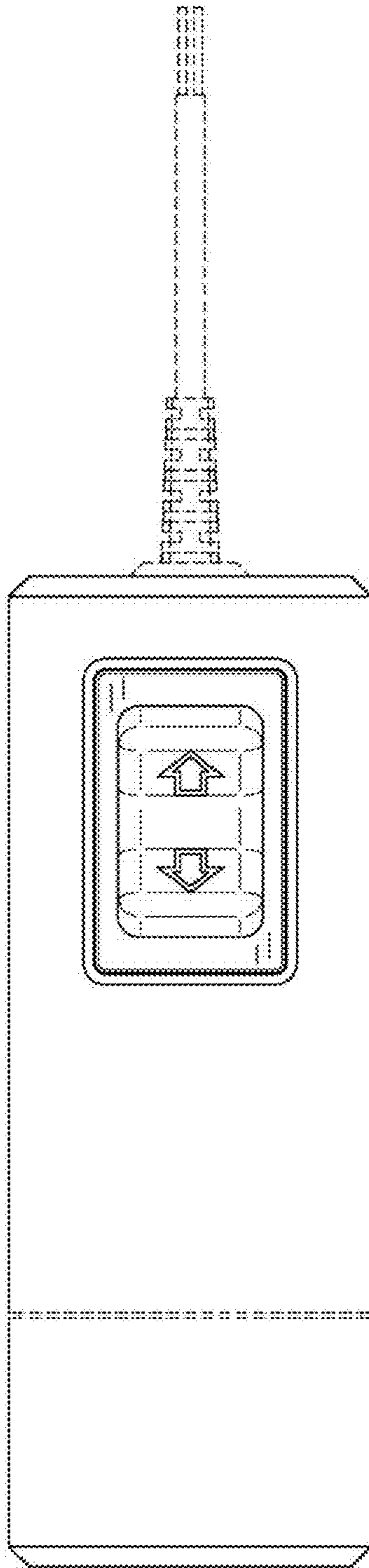


FIG. 3

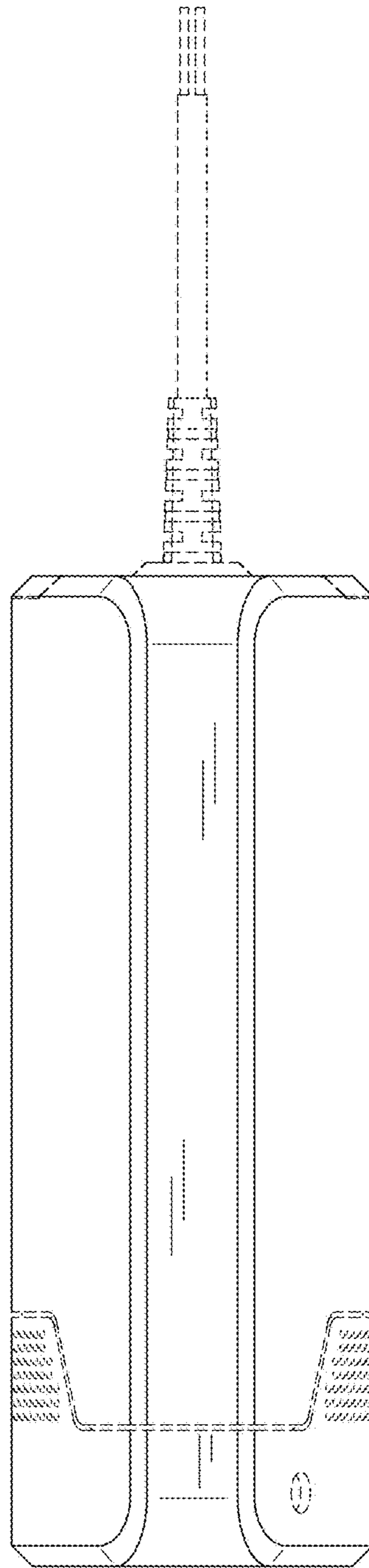


FIG. 4

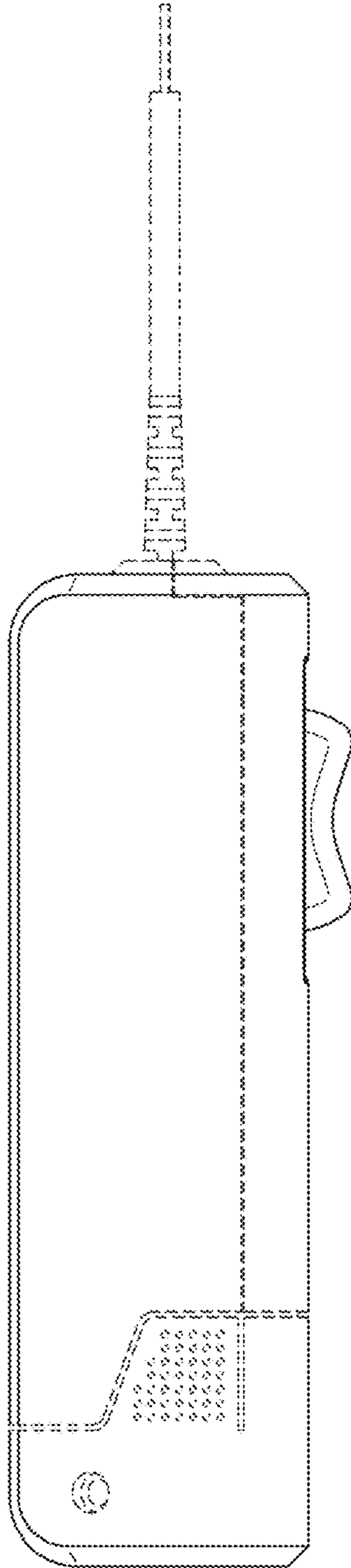


FIG. 5

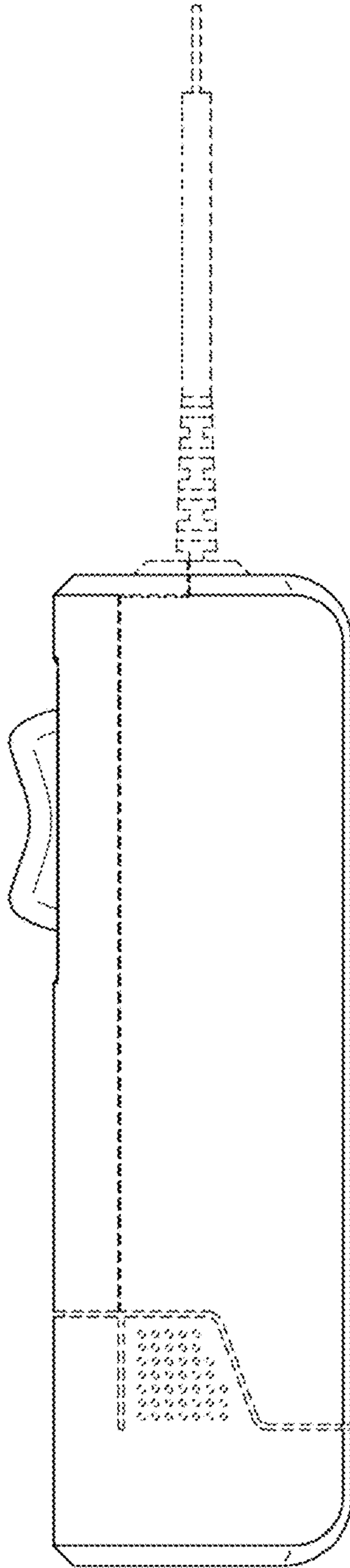


FIG. 6

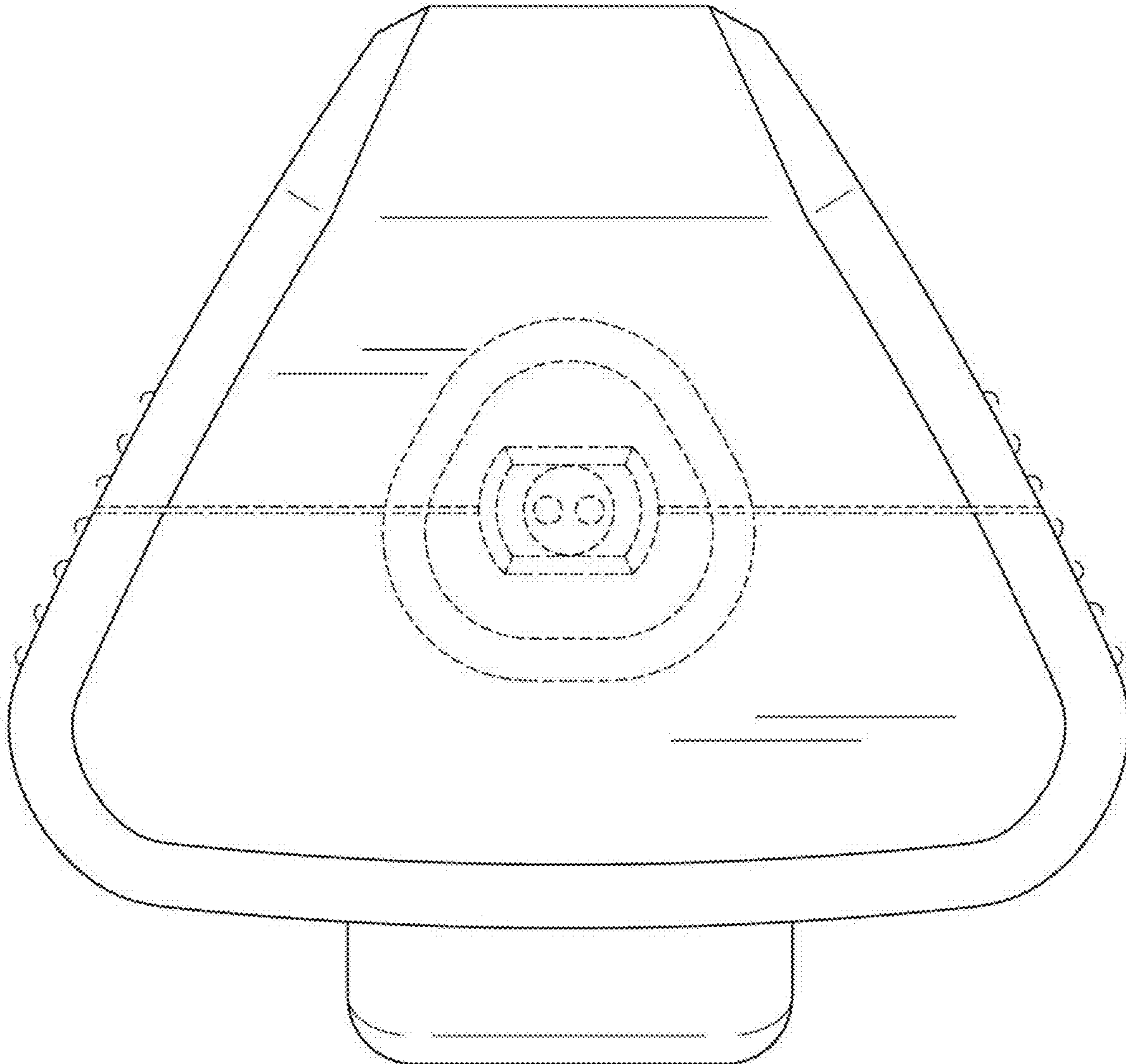


FIG. 7

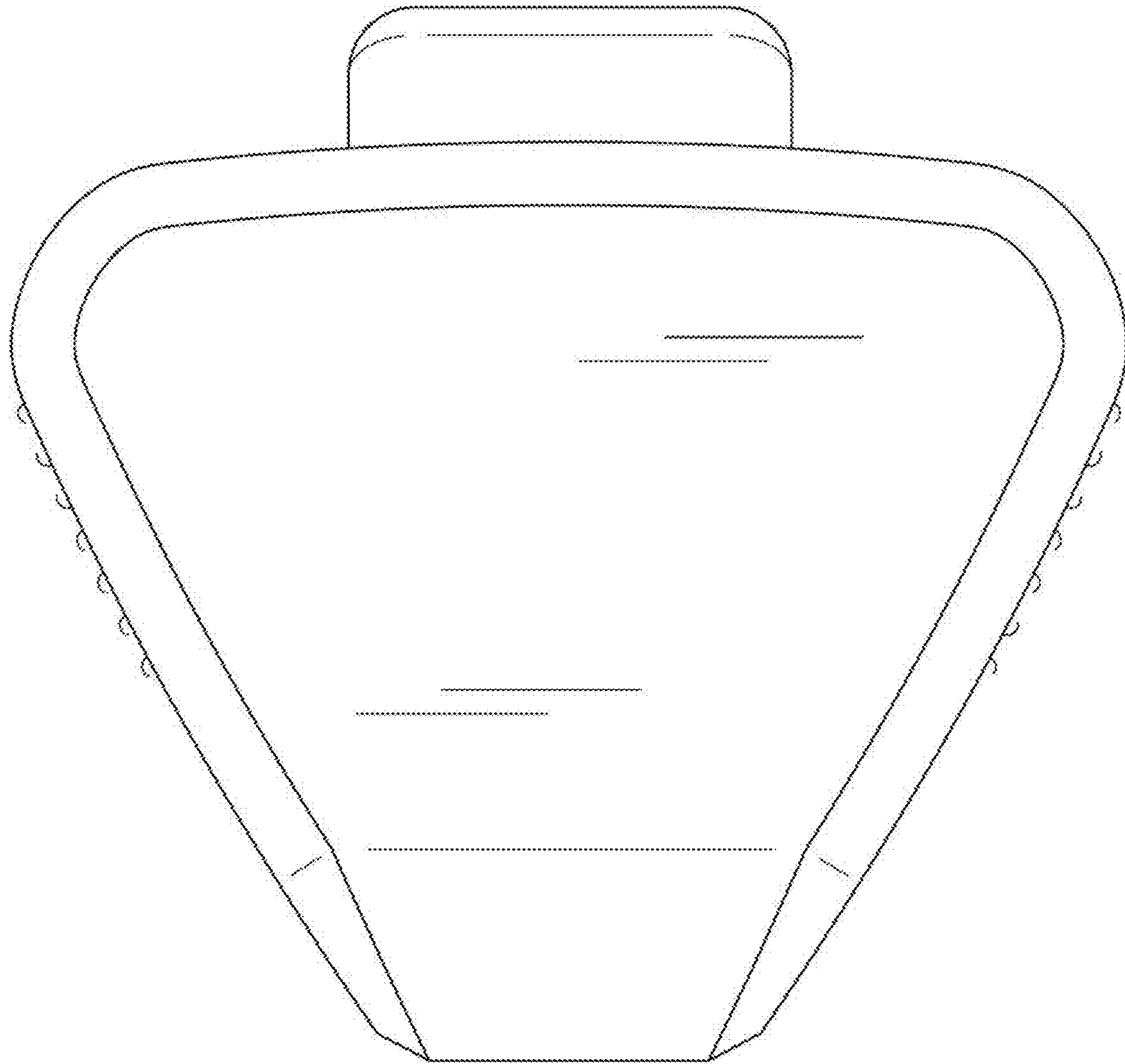


FIG. 8