



US00D846501S

(12) **United States Design Patent**
Esses

(10) **Patent No.:** **US D846,501 S**
(45) **Date of Patent:** **** Apr. 23, 2019**

(54) **CHARGER DEVICE**

(71) Applicant: **Alfred Esses**, Brooklyn, NY (US)

(72) Inventor: **Alfred Esses**, Brooklyn, NY (US)

(73) Assignee: **Alfred Esses**, Brooklyn, NY (US)

(**) Term: **15 Years**

(21) Appl. No.: **29/557,289**

(22) Filed: **Mar. 8, 2016**

(51) **LOC (11) Cl.** **13-03**

(52) **U.S. Cl.**
USPC **D13/144**

(58) **Field of Classification Search**
USPC D13/144, 107, 110, 118, 119, 120, 133,
D13/154, 184, 199; D14/155, 217, 433;
320/65, 107, 108, 109; 363/13, 146;
439/300, 620, 638, 668, 669, 675, 825
CPC H01R 24/58; H01R 2201/26; B60N 3/14;
B60R 2011/0054; H02J 7/02
See application file for complete search history.

(56) **References Cited**

U.S. PATENT DOCUMENTS

D442,543 S * 5/2001 Krumenacker D13/107
D524,285 S * 7/2006 Dayan D14/155
D525,938 S * 8/2006 Seil D13/144
D545,274 S * 6/2007 Dong D13/110

D633,046 S * 2/2011 Au D13/144
D656,464 S * 3/2012 Cheng D13/144
D672,313 S * 12/2012 Smith D13/144
D673,504 S * 1/2013 Esses D13/144
D743,885 S * 11/2015 Nazar D13/108
D778,822 S * 2/2017 Broadhurst, IV D13/107
D807,289 S * 1/2018 Wang D13/107

* cited by examiner

Primary Examiner — Derrick E Holland

Assistant Examiner — Jennifer O King

(74) *Attorney, Agent, or Firm* — Moritt Hock & Hamroff
LLP; Bret P. Shapiro

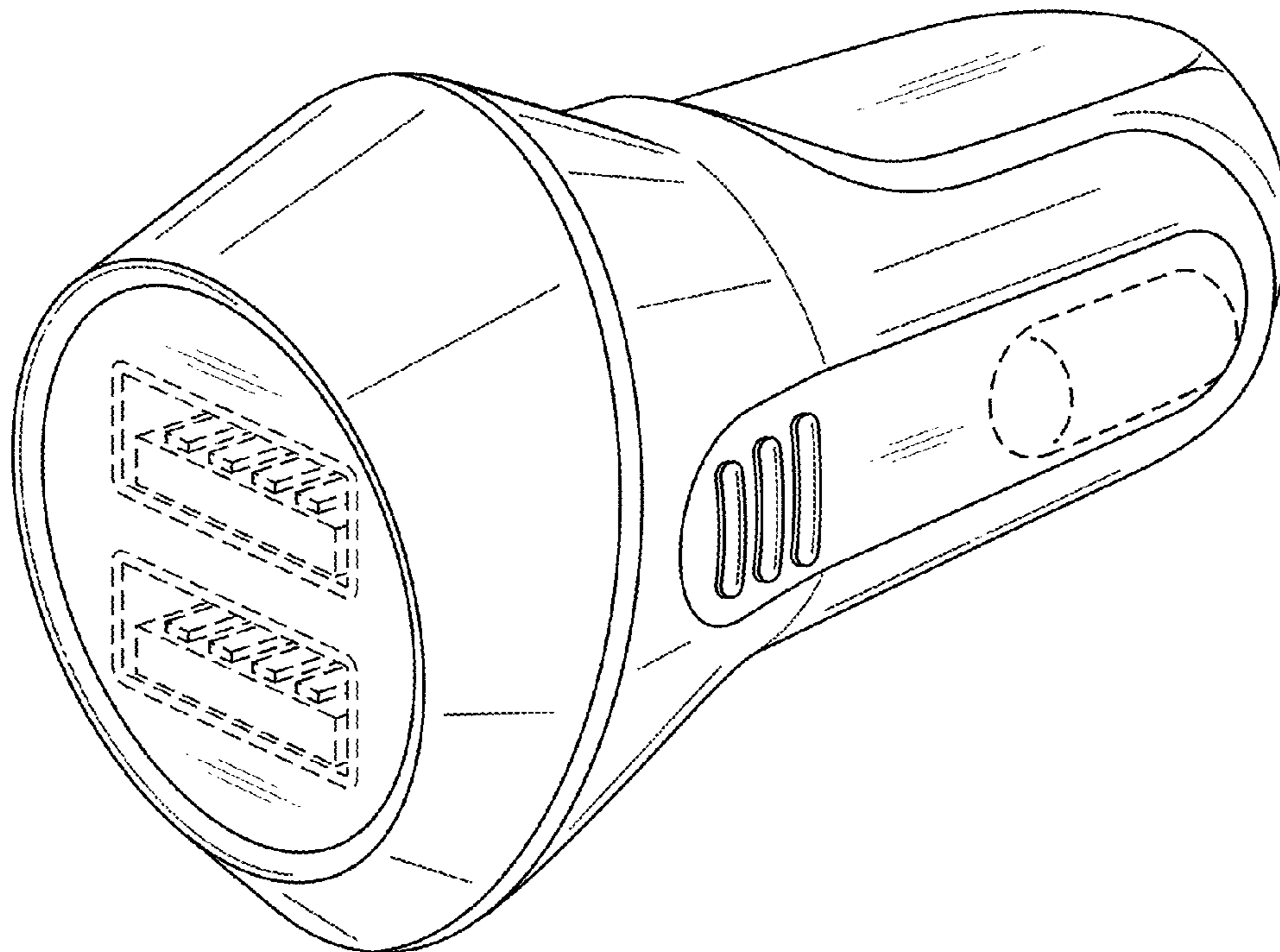
(57) **CLAIM**

The ornamental design for a charger device, as shown and described.

DESCRIPTION

FIG. 1 is a top perspective view of a charger device;
FIG. 2 is a right side view of the charger device thereof;
FIG. 3 is a left side view of the charger device thereof;
FIG. 4 is a top view of the charger device thereof;
FIG. 5 is a bottom view of the charger device thereof;
FIG. 6 is a front view of the charger device thereof; and,
FIG. 7 is a back view of the charger device thereof.
The evenly spaced broken lines represent portions of the
charger device that form no part of the claimed design.

1 Claim, 4 Drawing Sheets



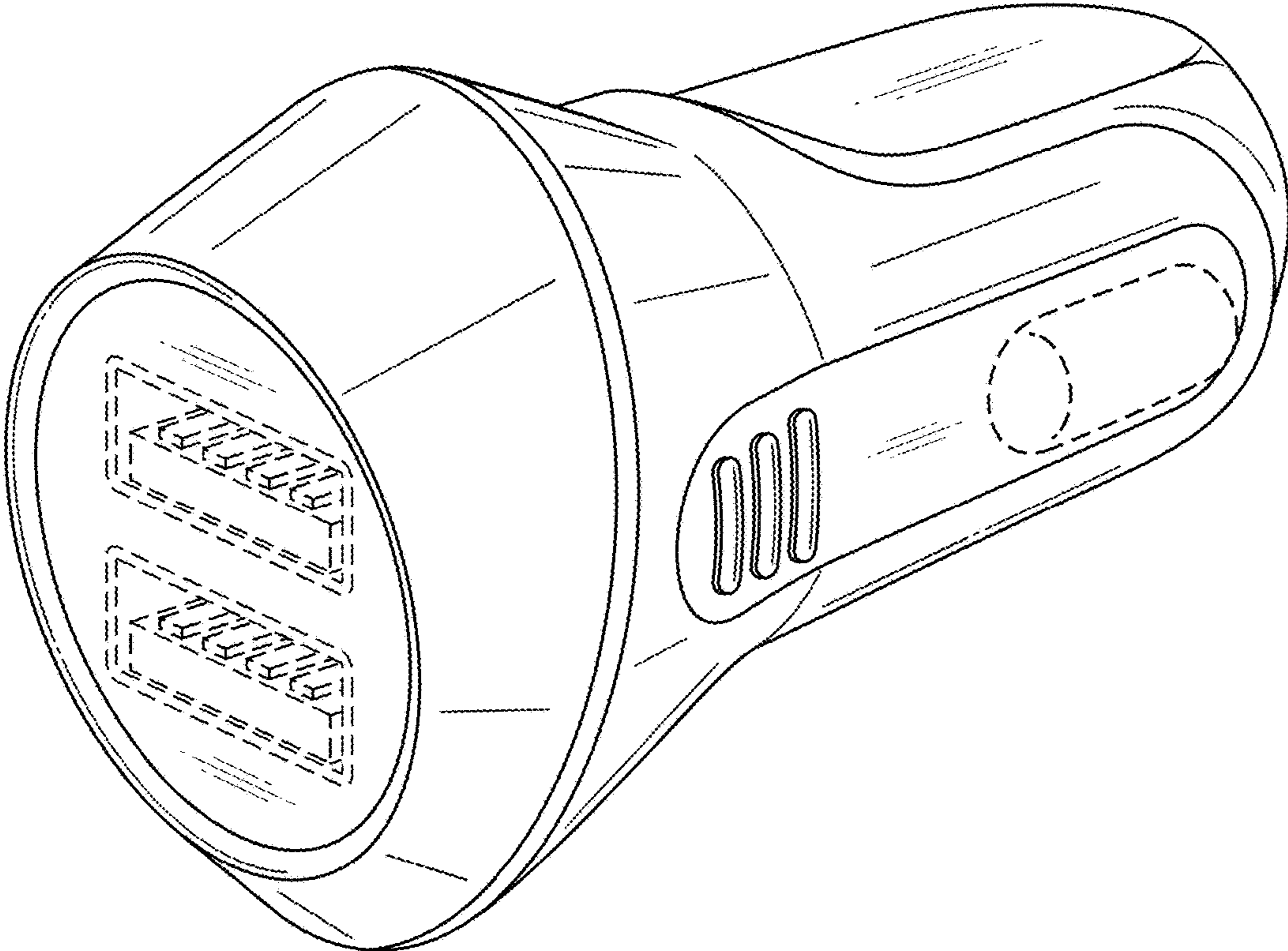


FIG. 1

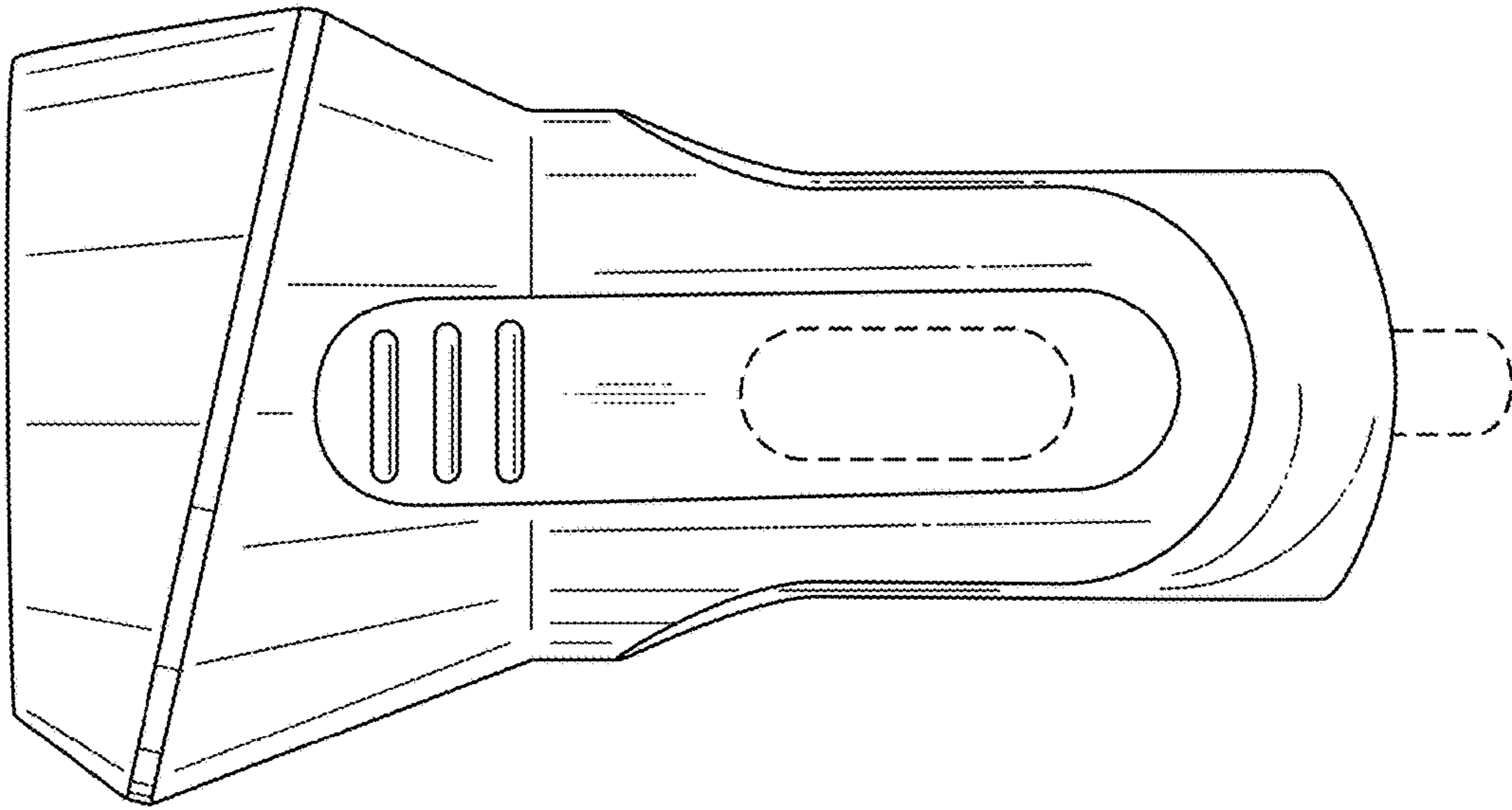


FIG. 2

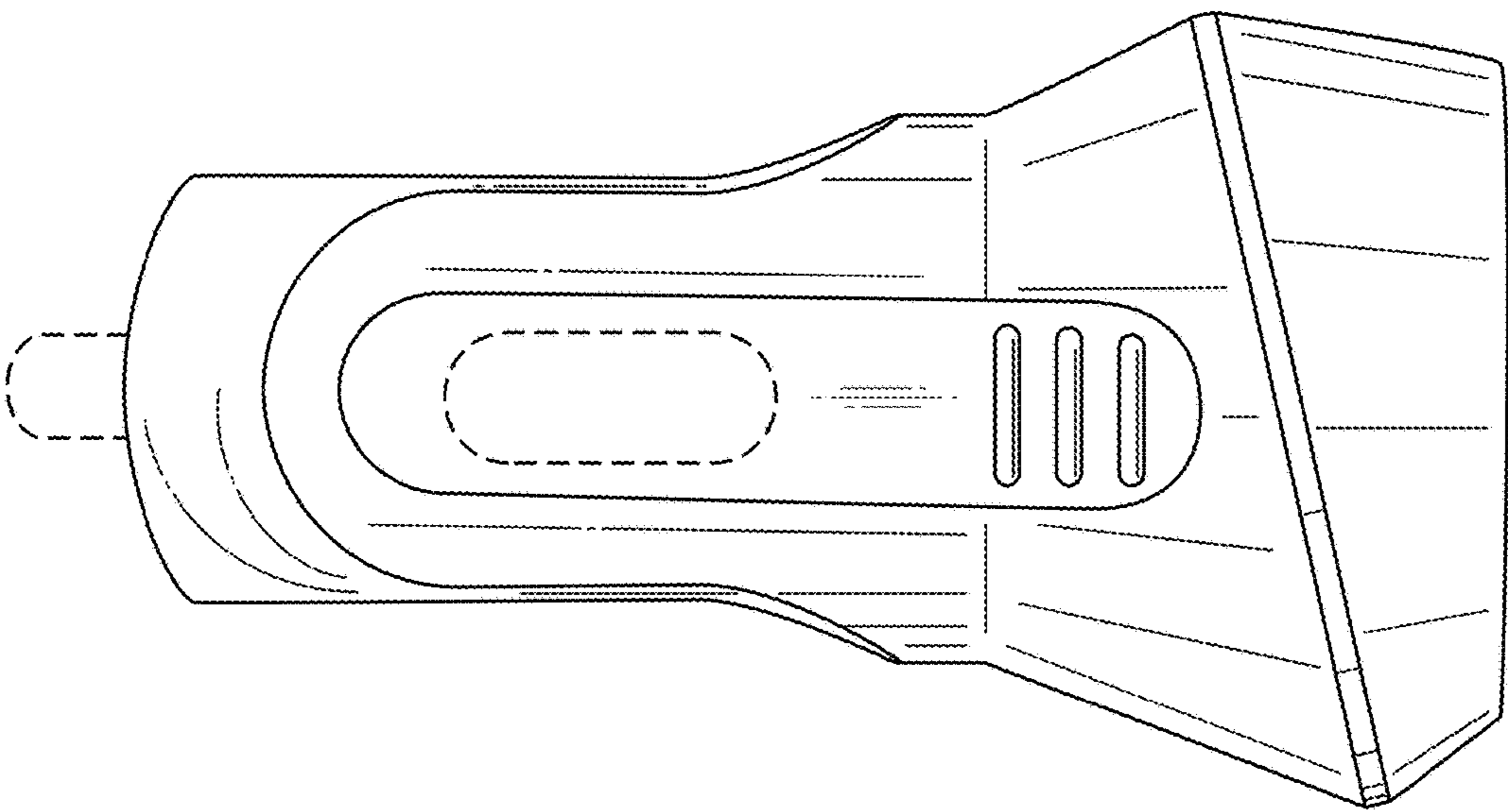


FIG. 3

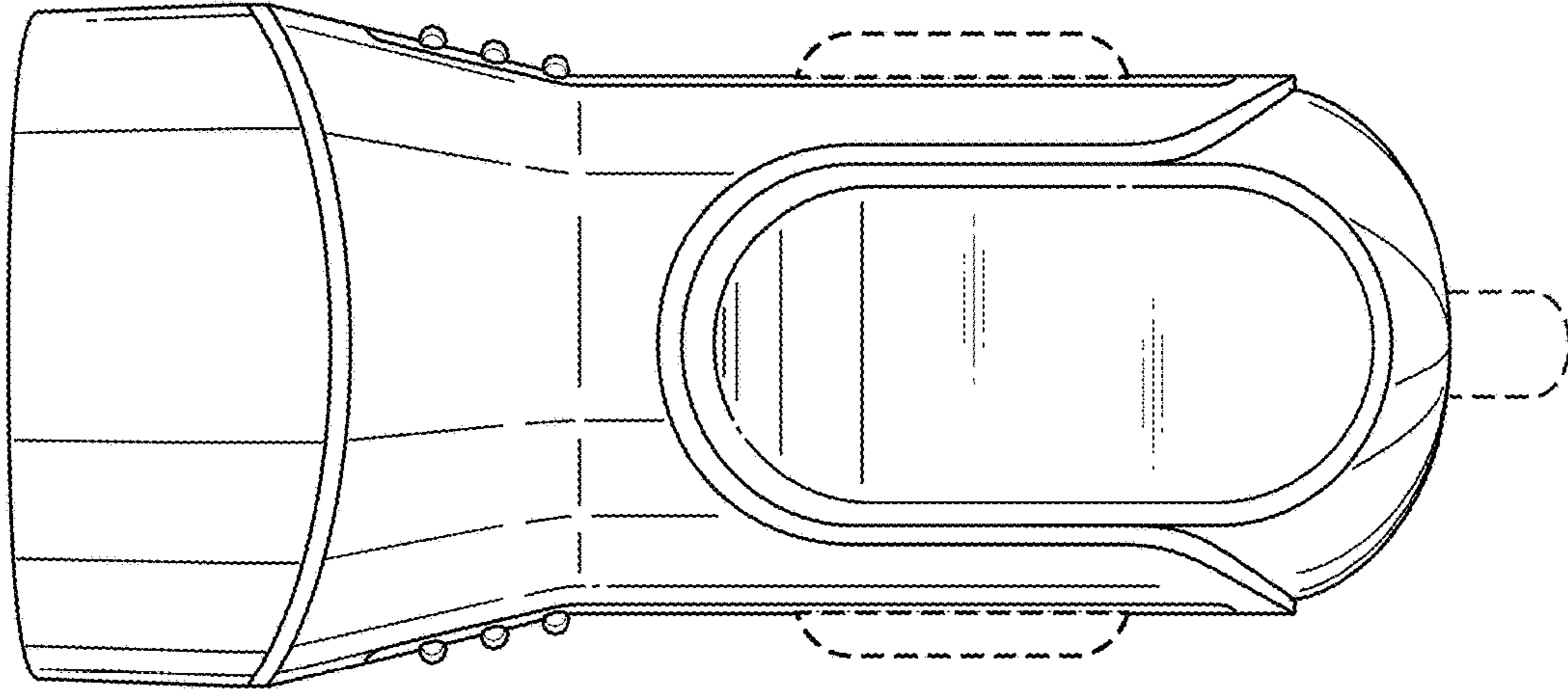


FIG. 4

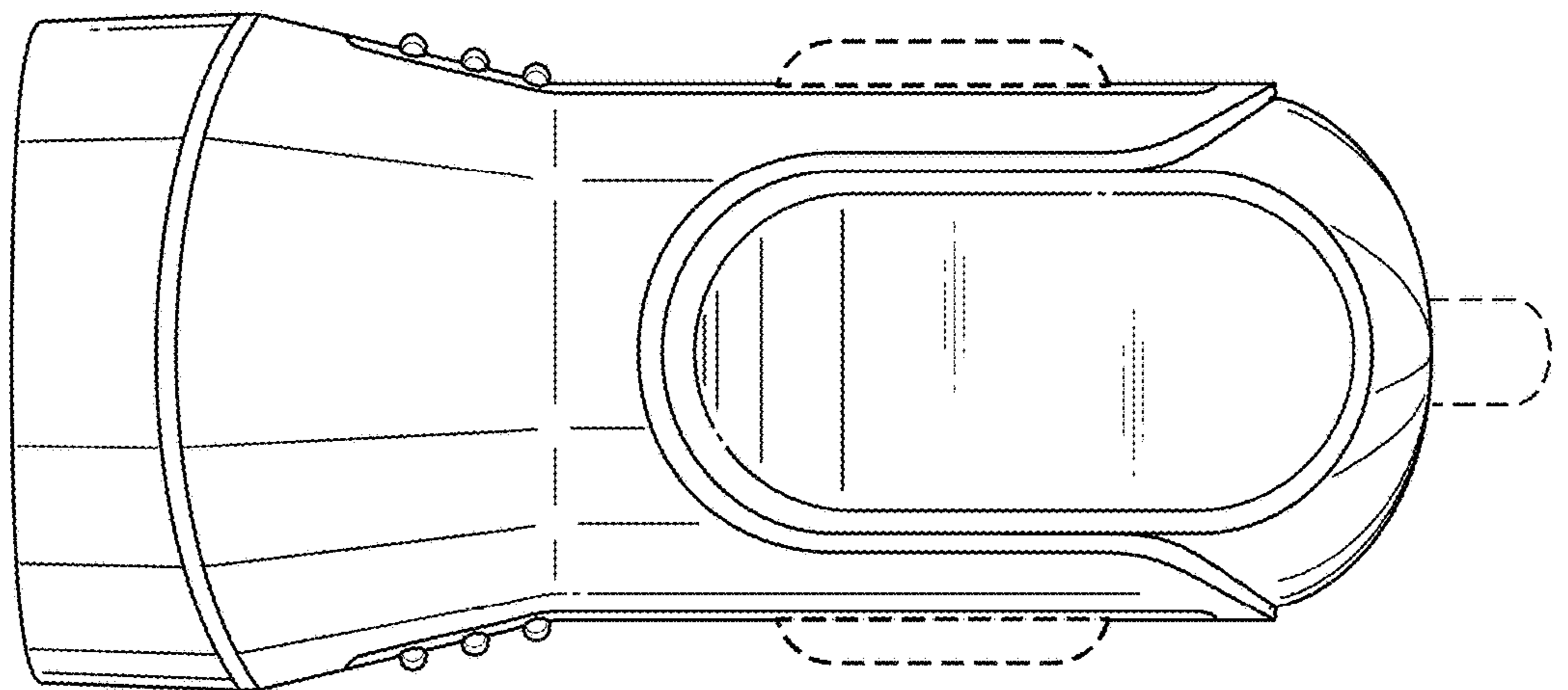


FIG. 5

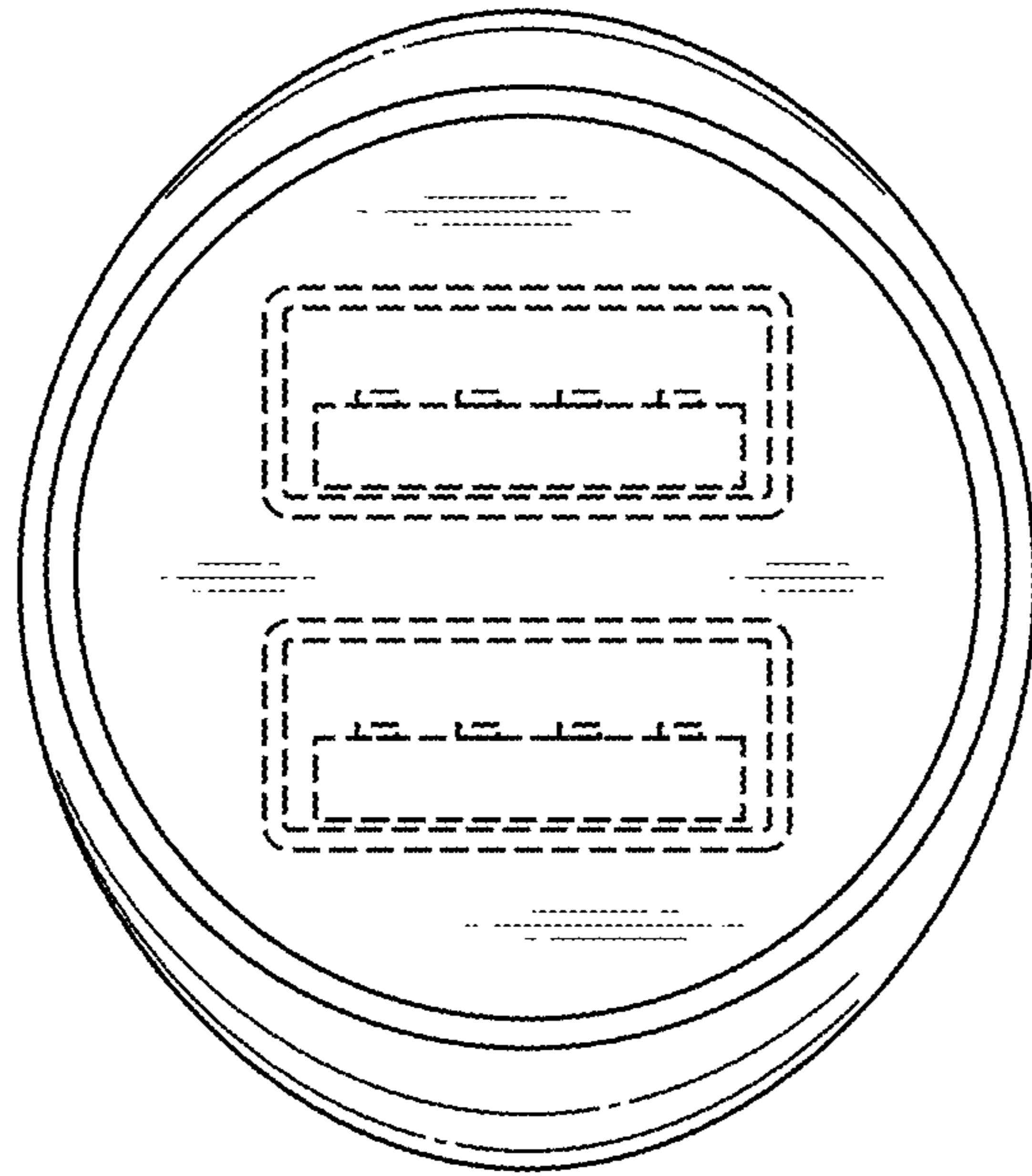


FIG. 6

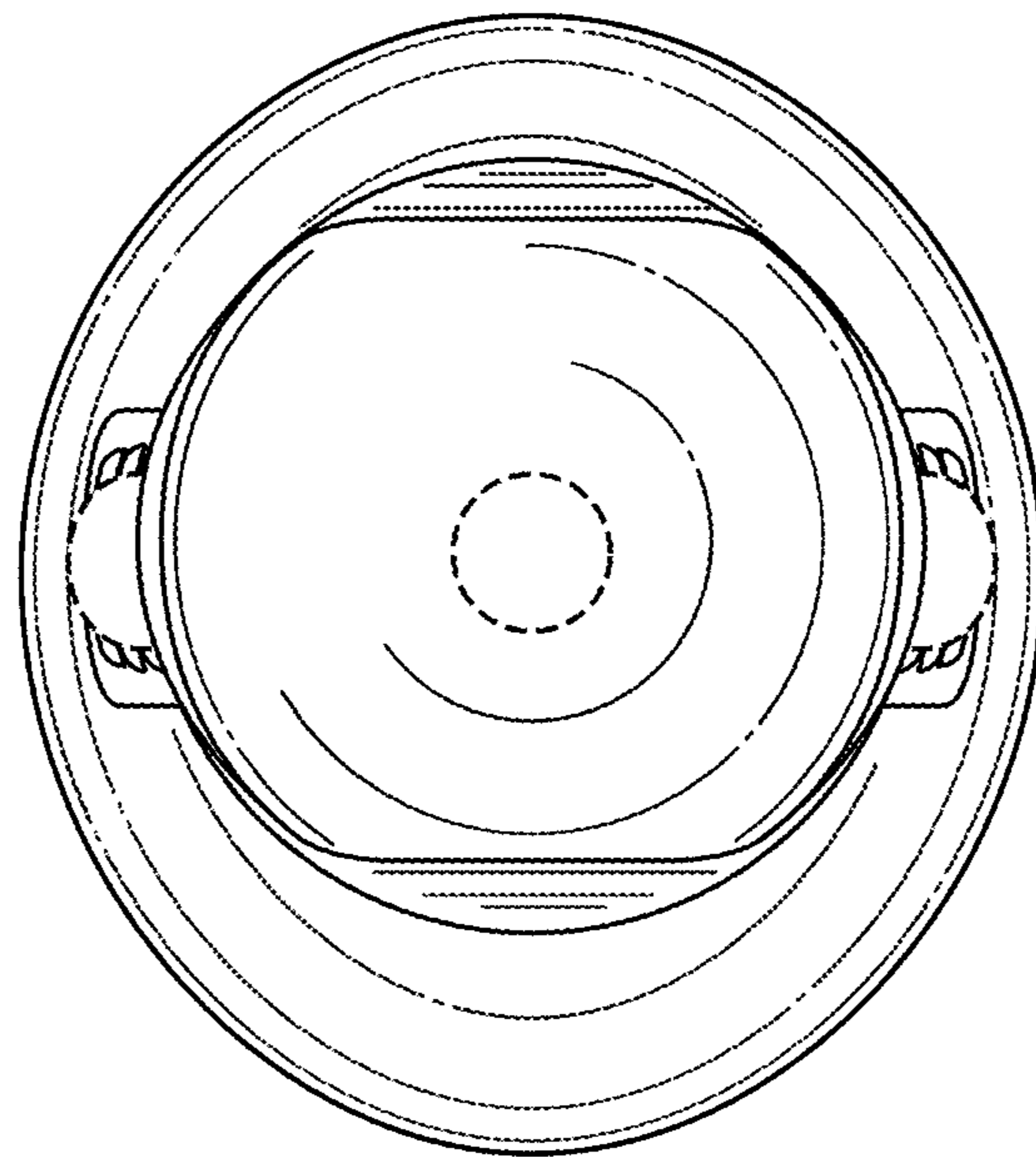


FIG. 7