



US00D846500S

(12) **United States Design Patent**
Xu

(10) **Patent No.:** **US D846,500 S**

(45) **Date of Patent:** **** Apr. 23, 2019**

(54) **EXTENSION SOCKET**

(71) Applicant: **ShenZhen ORICO Technologies Co., Ltd**, Shenzhen (CN)

(72) Inventor: **Yeyou Xu**, Shenzhen (CN)

(73) Assignee: **Shenzhen ORICO Technologies Co., Ltd.**, Shenzhen (CN)

(**) Term: **15 Years**

(21) Appl. No.: **29/613,108**

(22) Filed: **Aug. 7, 2017**

(51) **LOC (11) Cl.** **13-03**

(52) **U.S. Cl.**
USPC **D13/137.4**

(58) **Field of Classification Search**
USPC D13/152, 119, 147, 156, 177, 184, 107,
D13/108, 110, 123, 133, 137.1-137.4,
D13/138.1-138.2, 139.1-139.8, 153, 154,
D13/146, 158; D8/350, 351-353;
D25/119, 127, 134, 48.4; D26/74, 138
CPC F21S 8/02; F21V 23/00; F21V 23/001;
H01R 25/00; H01R 25/006; H01R 11/00;
H01R 9/00; H01R 13/5845; H01R 13/72;
H01R 31/06; H01R 24/28; H01R 13/46;
F16J 13/10; F16B 5/02; H02J 2007/0062;
H01B 7/2806

See application file for complete search history.

(56) **References Cited**

U.S. PATENT DOCUMENTS

D279,285 S * 6/1985 Schwartz D13/139.8
D482,326 S * 11/2003 Stekelenburg D13/137.4

D640,199 S * 6/2011 Wilson D13/139.7
D719,091 S * 12/2014 Leddusire D13/110
D774,455 S * 12/2016 Kim D13/108
D796,442 S * 9/2017 Xu D13/139.6

* cited by examiner

Primary Examiner — Rosemary K Tarcza

Assistant Examiner — Christy M Nemeth

(74) *Attorney, Agent, or Firm* — Wayne & Ken, LLC;
Tony Hom

(57) **CLAIM**

The ornamental design for an extension socket, as shown and described.

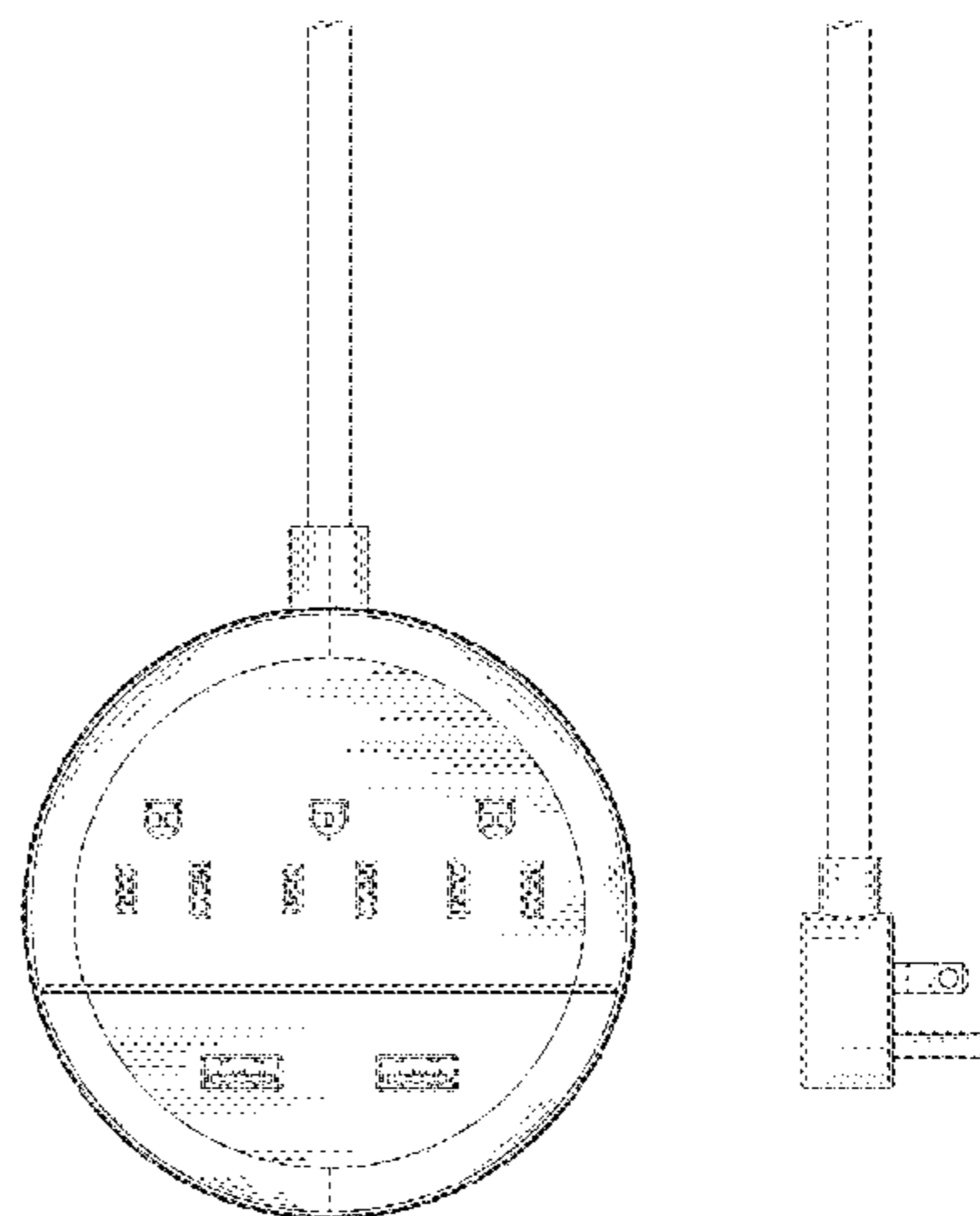
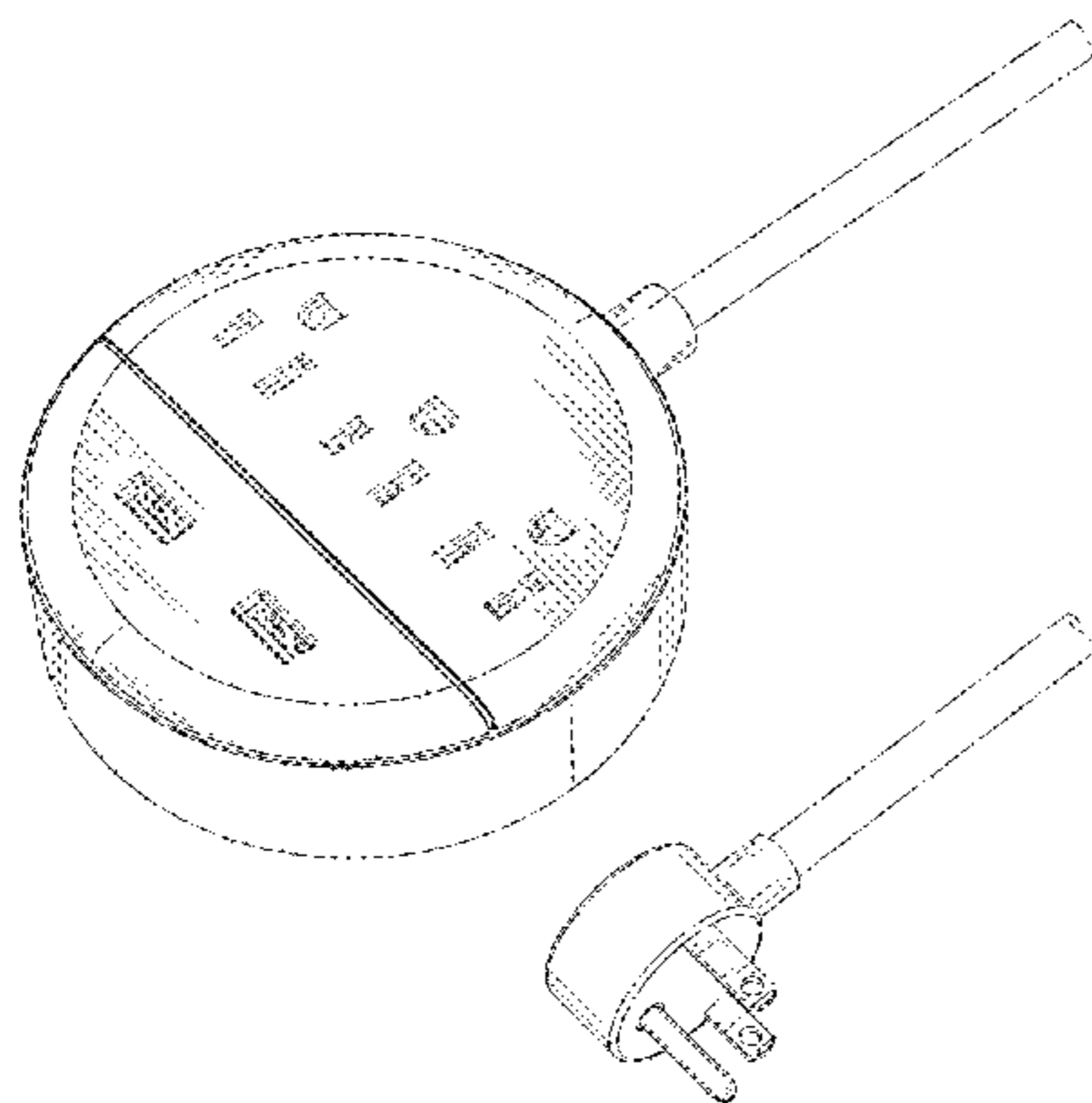
DESCRIPTION

FIG. 1 is a front perspective view of an extension socket showing my new design;
FIG. 2 is a front view thereof;
FIG. 3 is a back view thereof;
FIG. 4 is a left view thereof;
FIG. 5 is a right view thereof;
FIG. 6 is a top view thereof; and,
FIG. 7 is a bottom view thereof.

The broken lines shown in the figures are for the purpose of illustrating portions of the extension socket, which form no part of the claimed design.

A boundary line at the end of the cord in FIGS. 1-5 is shown for terminating the end of each cord of the extension socket and forms no part of the claimed design.

1 Claim, 7 Drawing Sheets



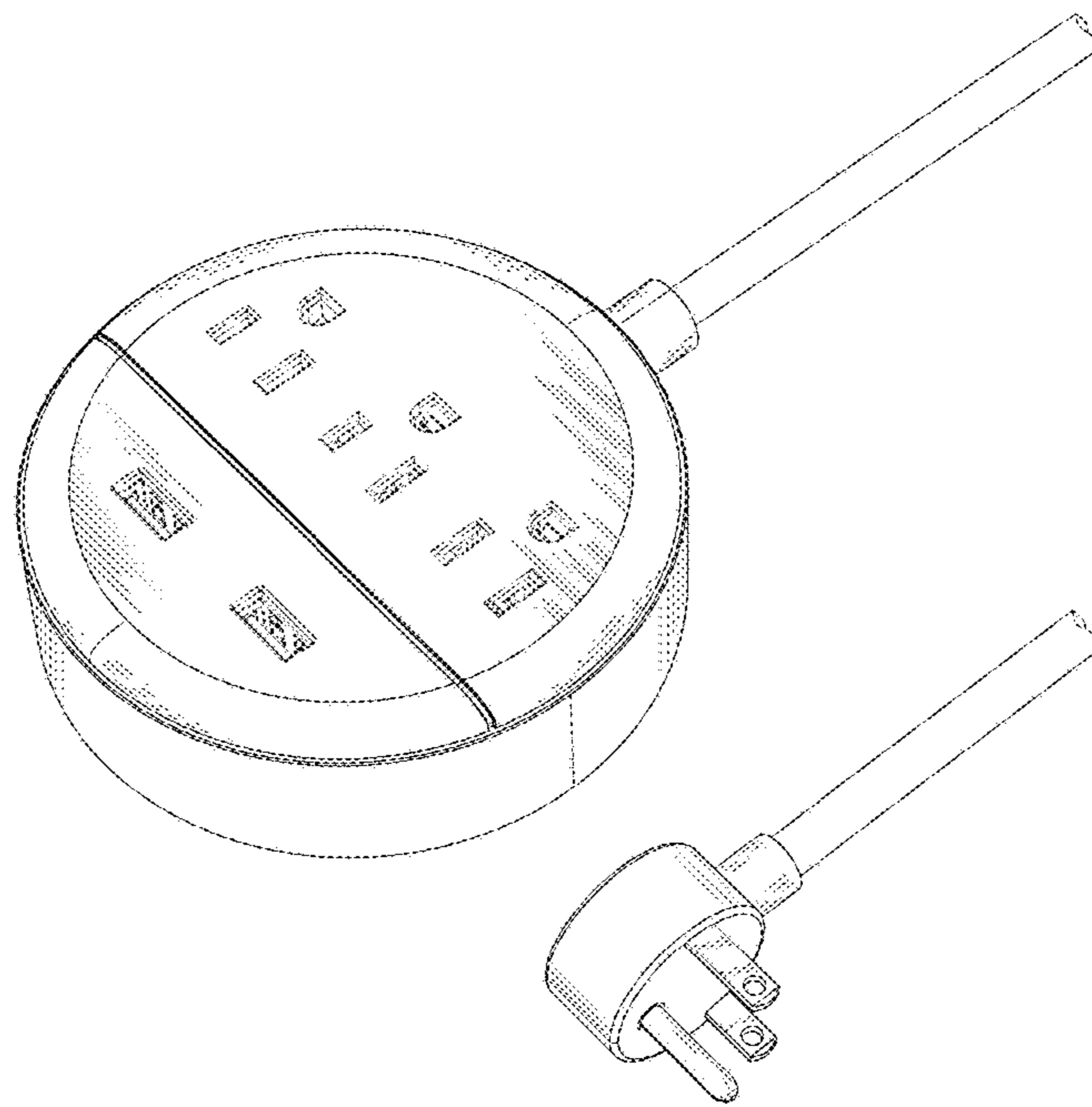


FIG. 1

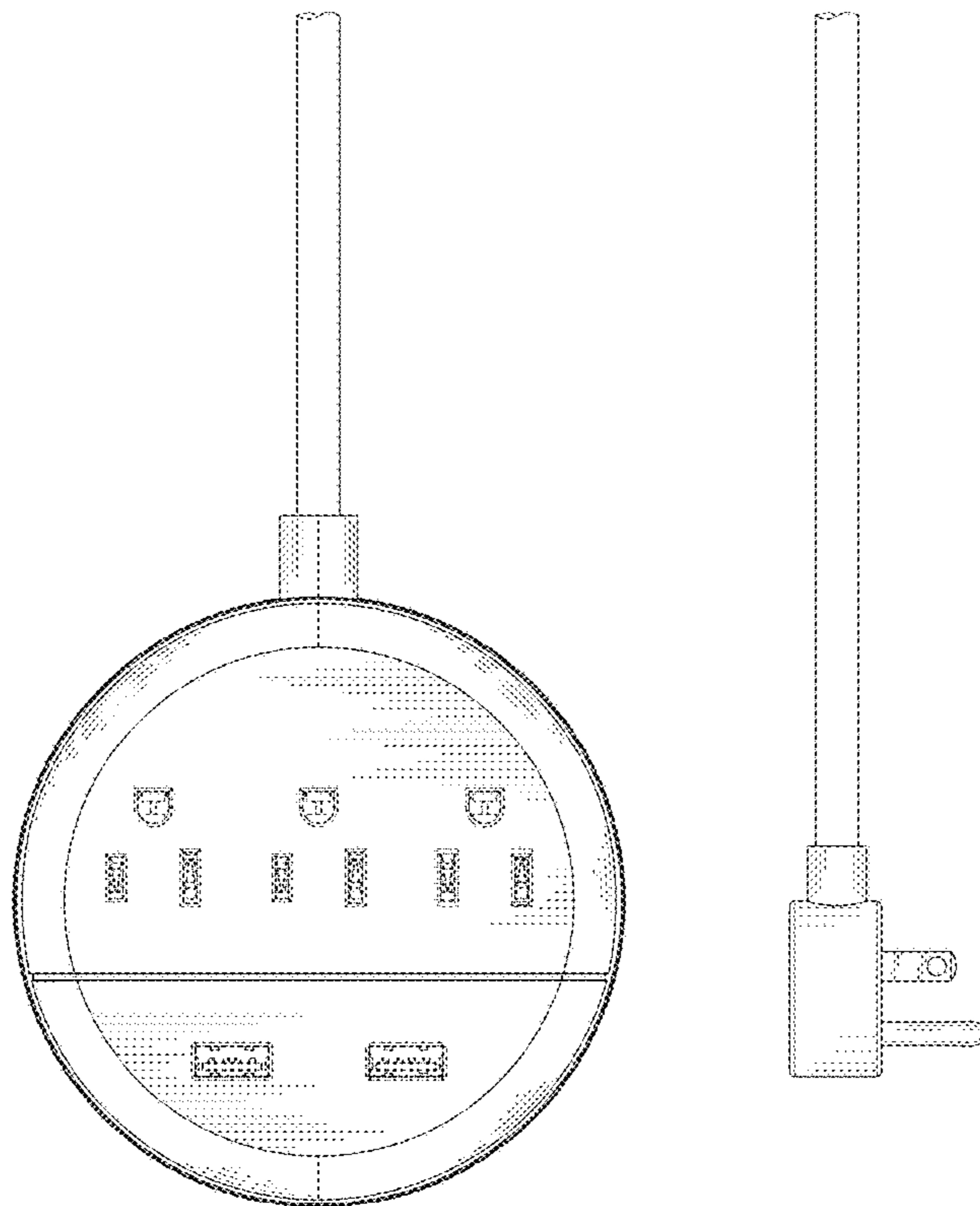


FIG. 2

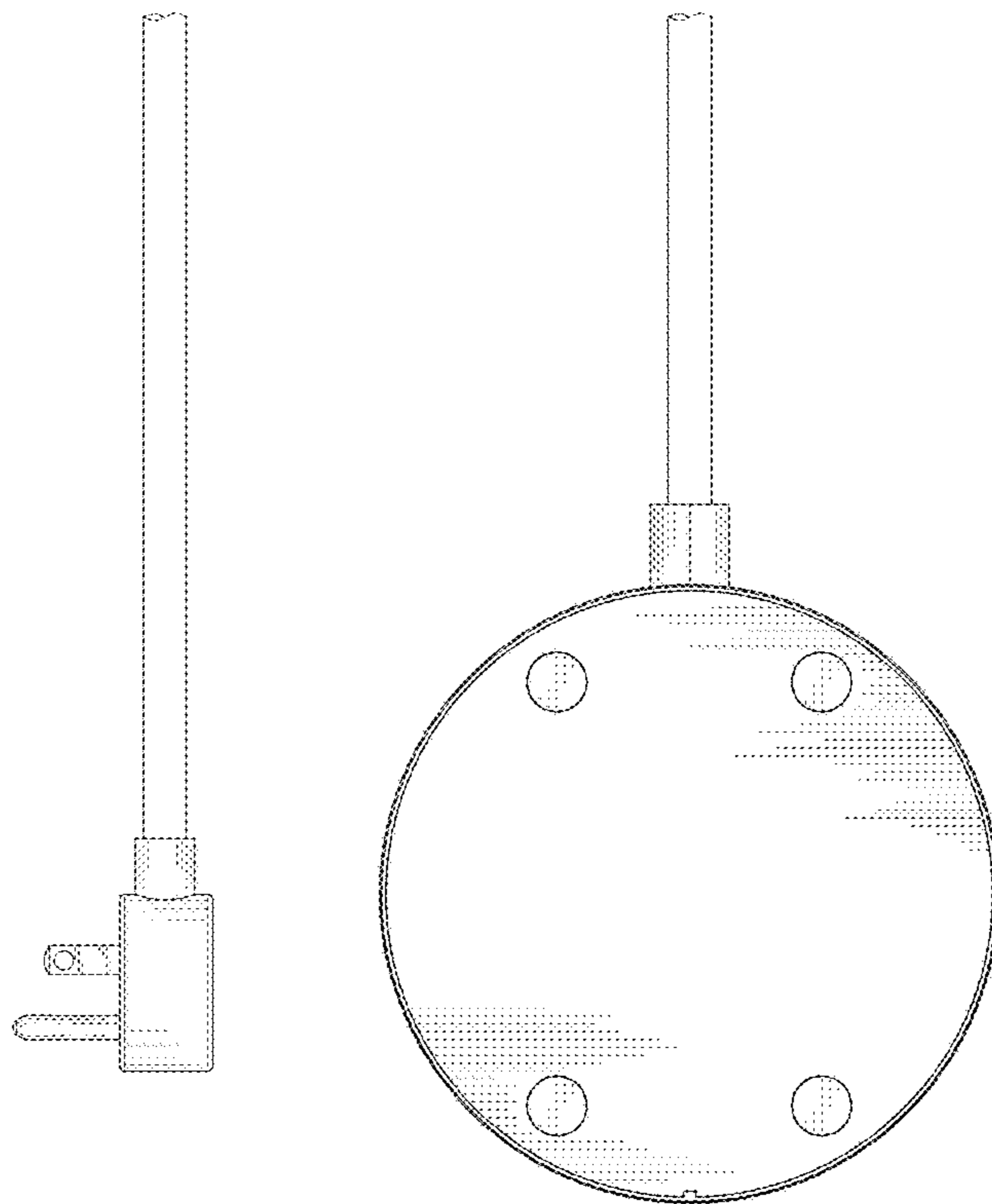


FIG. 3

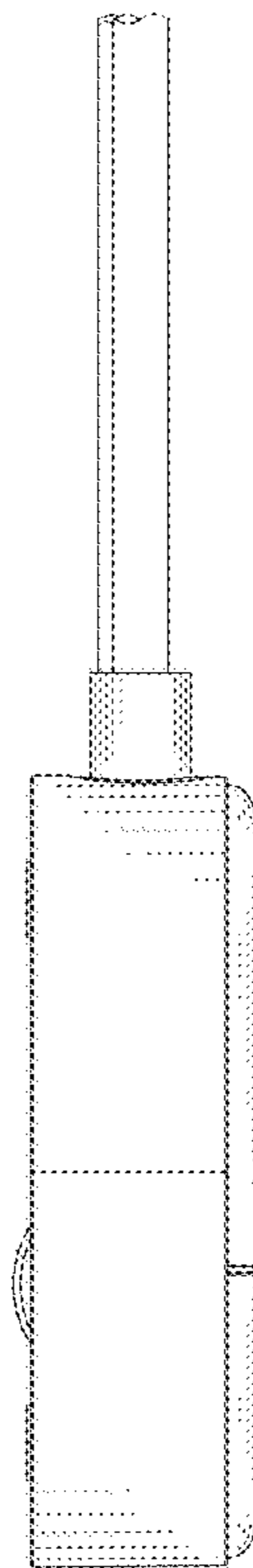


FIG. 4

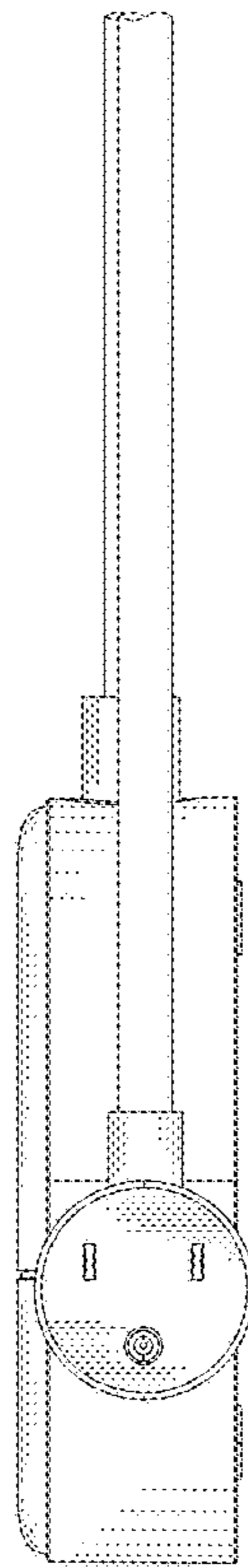


FIG. 5

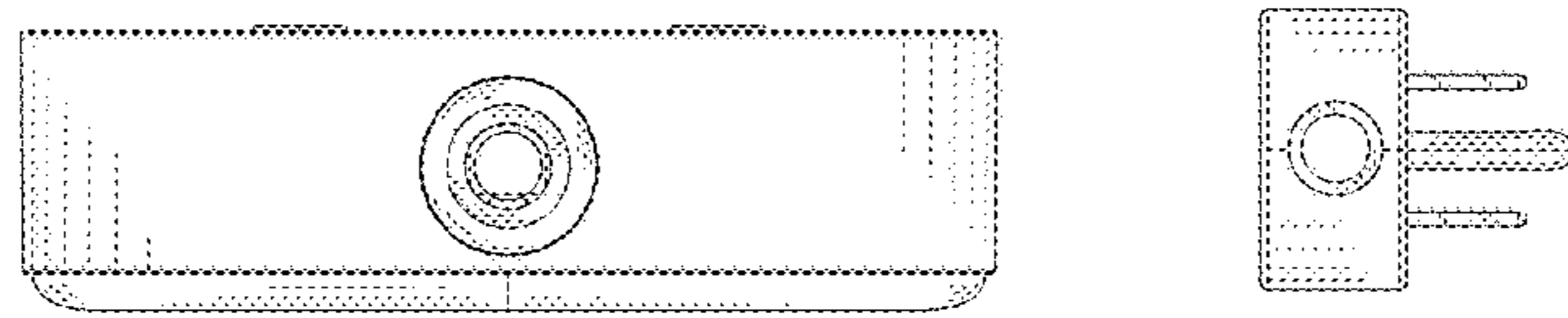


FIG. 6

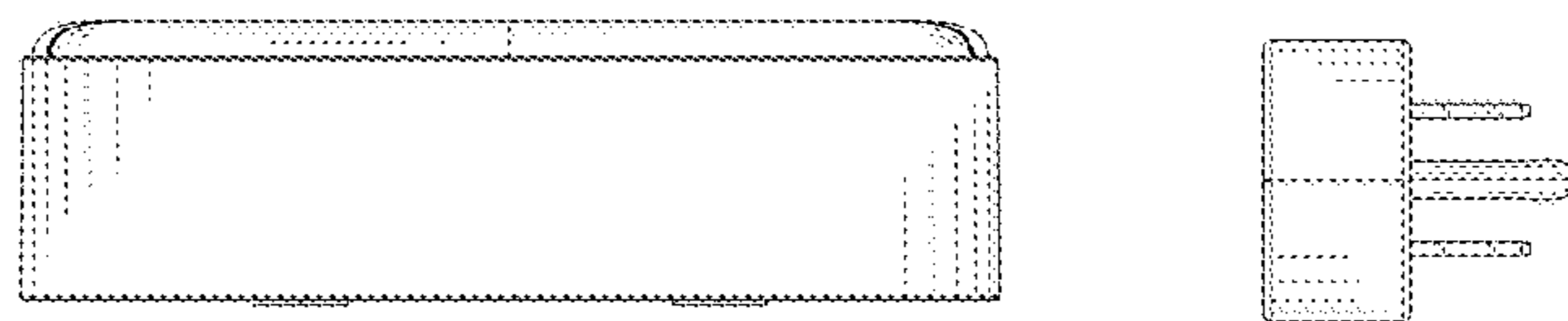


FIG. 7