



US00D846499S

(12) **United States Design Patent**
Fahlborg

(10) **Patent No.:** **US D846,499 S**

(45) **Date of Patent:** **** Apr. 23, 2019**

(54) **BATTERY CHARGER**

(71) Applicant: **PROFOTO AKTIEBOLAG,**
Sundbyberg (SE)

(72) Inventor: **Philip Fahlborg,** Nacka (SE)

(73) Assignee: **Profoto Aktiebolag,** Sundbyberg (SE)

(**) Term: **15 Years**

(21) Appl. No.: **35/504,623**

(22) Filed: **Sep. 18, 2017**

(80) **Hague Agreement Data**

Int. Filing Date: **Sep. 18, 2017**

Int. Reg. No.: **DM/097720**

Int. Reg. Date: **Sep. 18, 2017**

Int. Reg. Pub. Date: **Mar. 23, 2018**

(51) **LOC (11) Cl.** **13-03**

(52) **U.S. Cl.**
USPC **D13/108**

(58) **Field of Classification Search**
USPC D13/108, 107, 103, 162, 139.4-139.4;
361/736; 429/159

CPC H05K 1/119; H01M 2/105
See application file for complete search history.

(56) **References Cited**

U.S. PATENT DOCUMENTS

- D301,456 S * 6/1989 Siddoway D13/107
- D322,061 S * 12/1991 Watanabe D13/108
- 5,132,877 A * 7/1992 Branam H05K 1/119
361/736
- D328,889 S * 8/1992 Seki D13/108

- D359,474 S * 6/1995 Palatov D13/108
- D682,196 S * 5/2013 Leung D13/103
- D685,730 S * 7/2013 Hamm D13/103
- D686,981 S * 7/2013 Koyabu D13/103
- D708,571 S * 7/2014 Ji D13/103
- 8,865,339 B2 * 10/2014 Enari H01M 2/105
429/159
- D716,725 S * 11/2014 Kaminsky D13/103
- D734,725 S * 7/2015 Pickens D13/139.1
- D741,794 S * 10/2015 Wright D13/103
- D764,405 S * 8/2016 Herr D13/103
- D797,040 S * 9/2017 Lavin, Jr. D13/103
- D797,682 S * 9/2017 Sharp D13/162
- D801,916 S * 11/2017 Altenburger D13/103
- D815,593 S * 4/2018 Alves D13/108
- D818,948 S * 5/2018 Waldron D13/103
- D819,562 S * 6/2018 Waldron D13/103
- D826,149 S * 8/2018 Cooper D13/103
- D826,150 S * 8/2018 Cayon D13/103
- D830,966 S * 10/2018 Siminoff D13/103

* cited by examiner

Primary Examiner — Rhea Shields

(74) *Attorney, Agent, or Firm* — Cowan, Liebowitz & Latman, P.C.

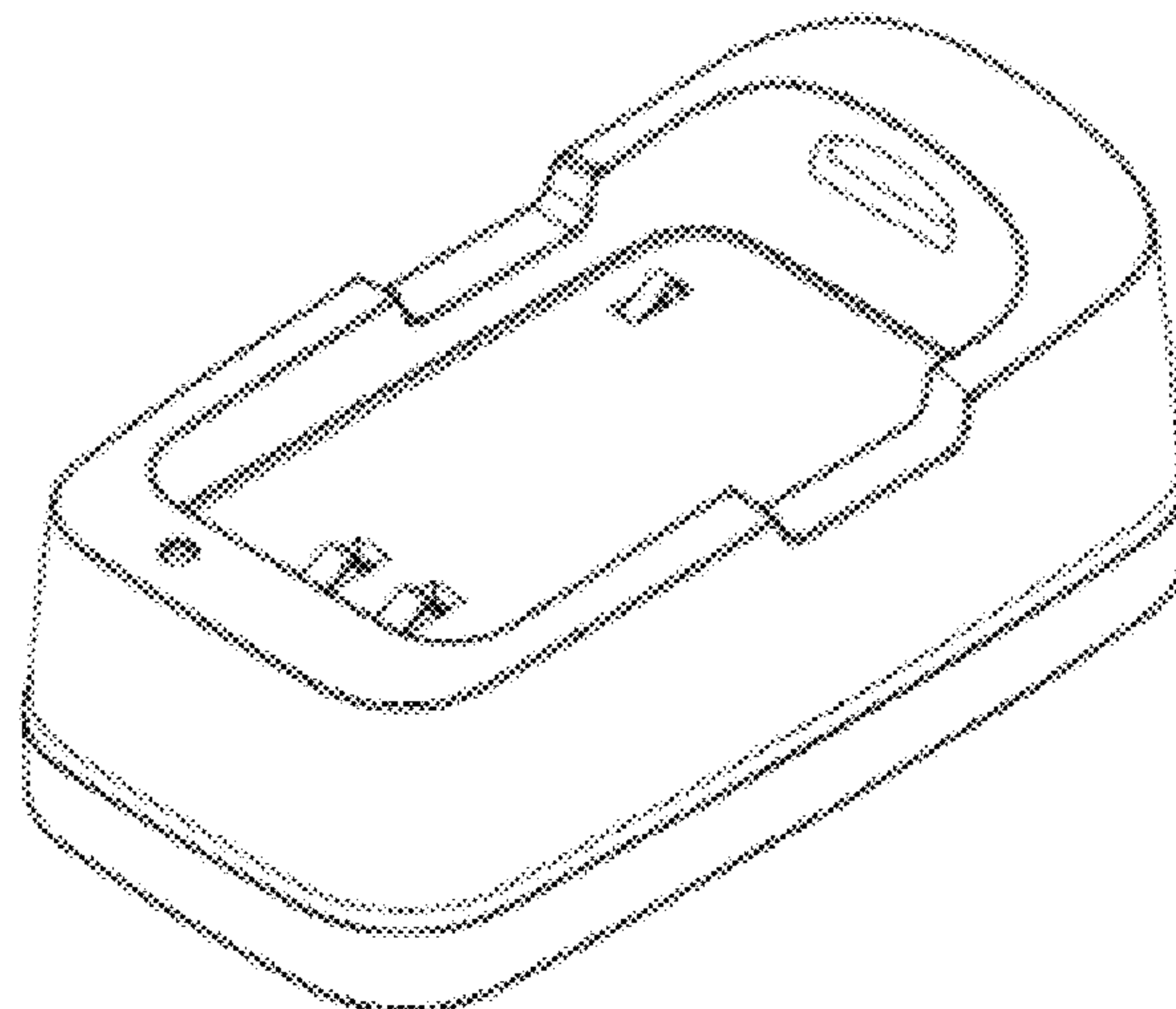
(57) **CLAIM**

The ornamental design for a battery charger, as shown and described.

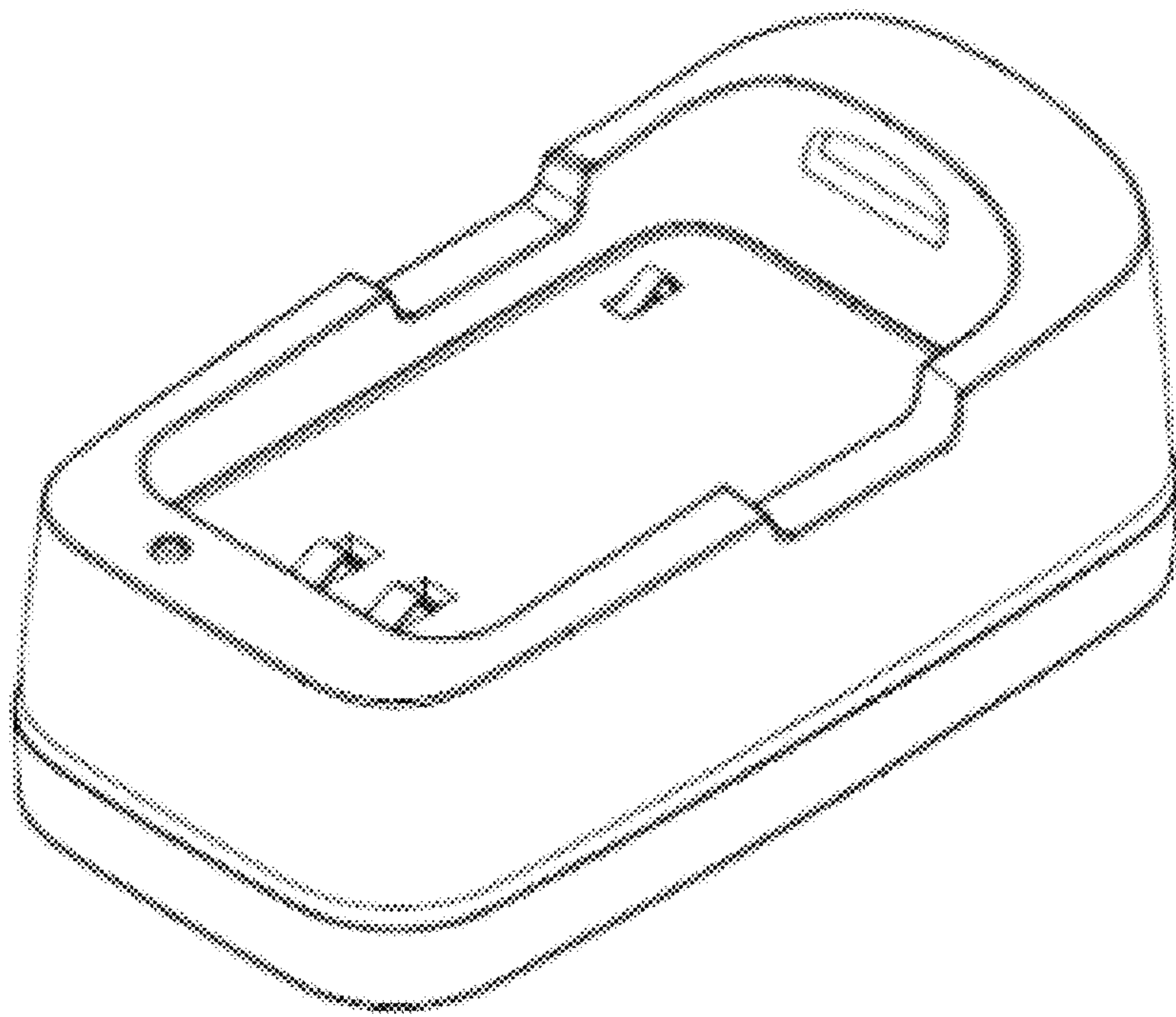
DESCRIPTION

- 1. Battery charger
- 1.1 : Perspective
- 1.2 : Front
- 1.3 : Back
- 1.4 : Right
- 1.5 : Top
- 1.6 : Perspective (back)

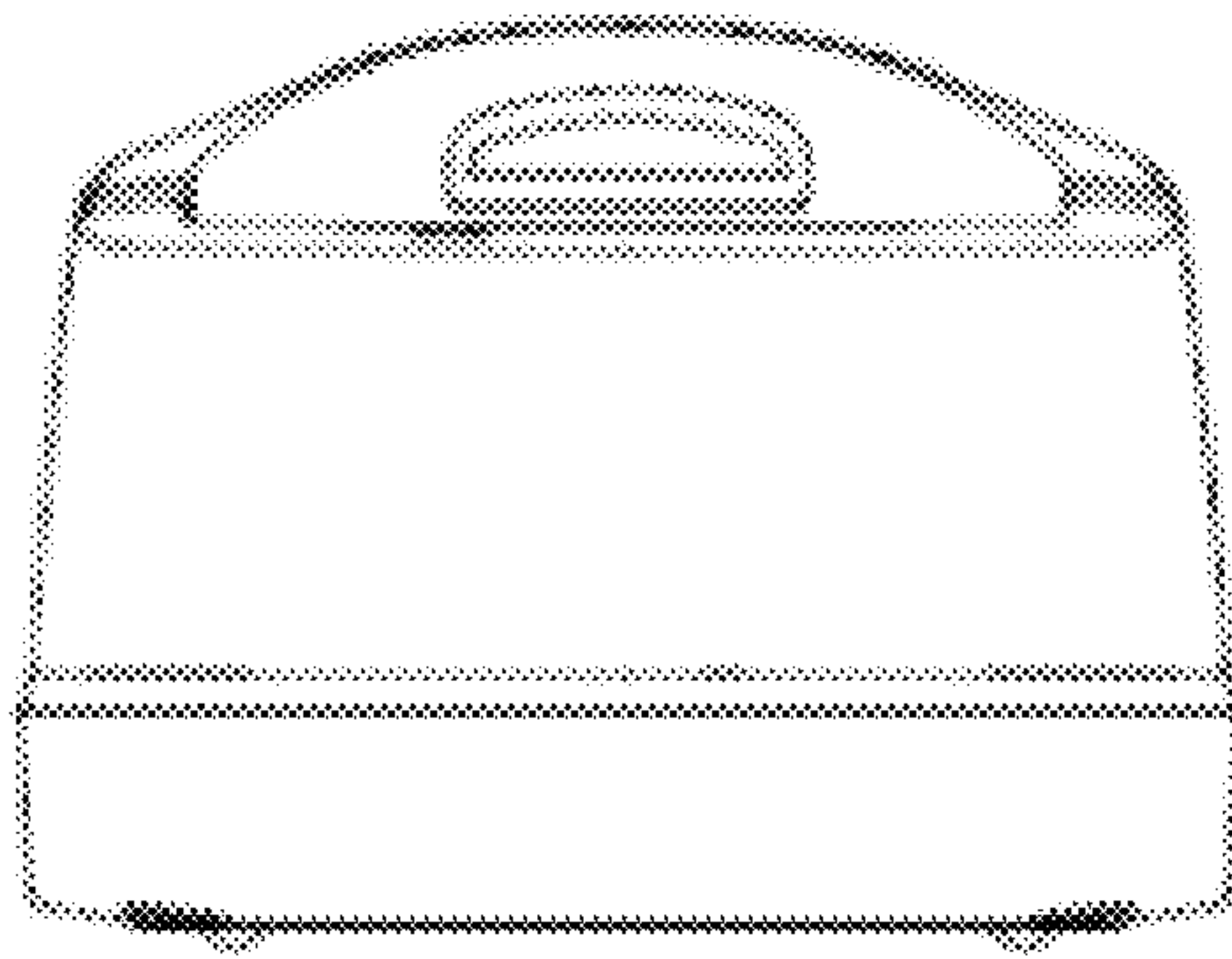
1 Claim, 6 Drawing Sheets



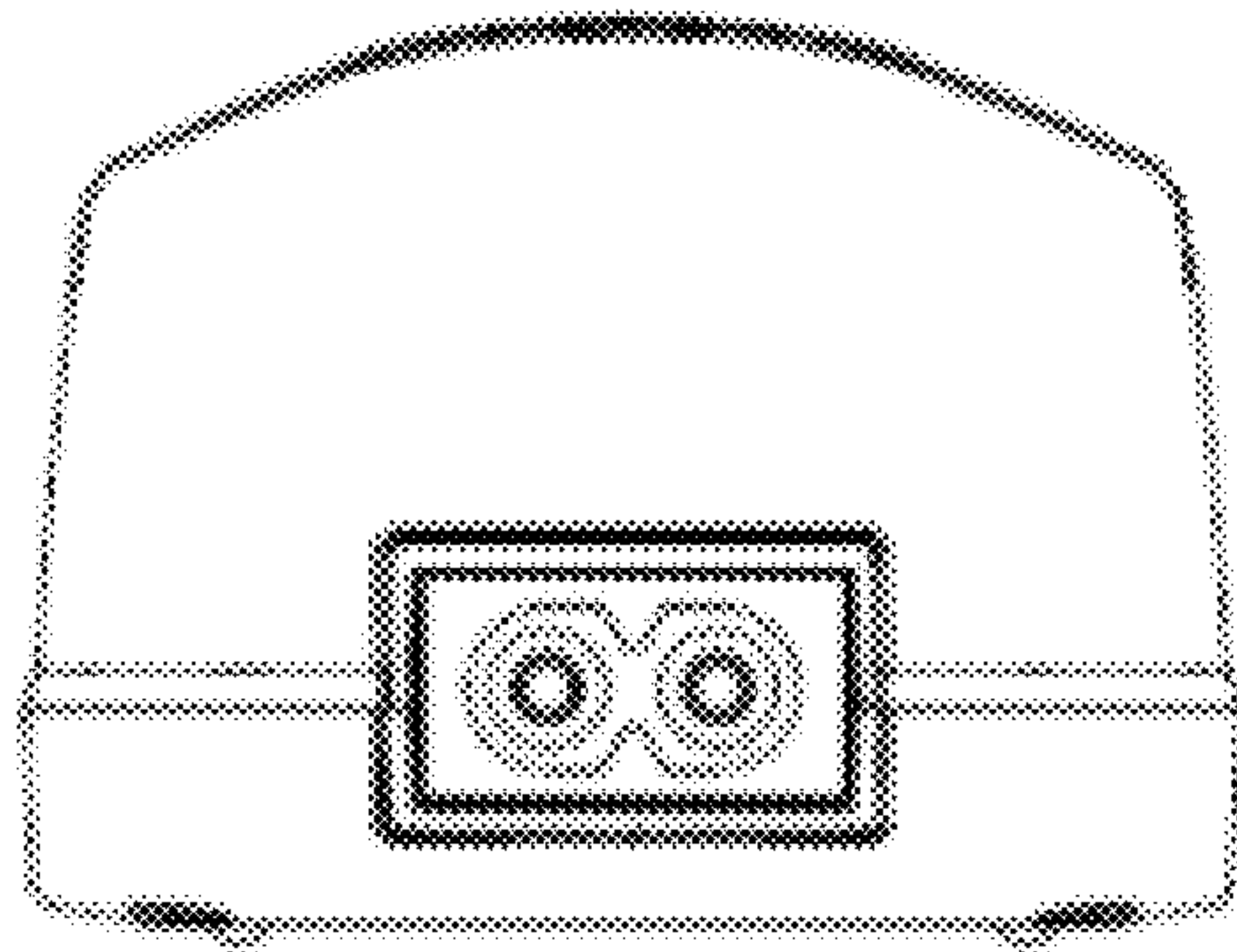
1.1



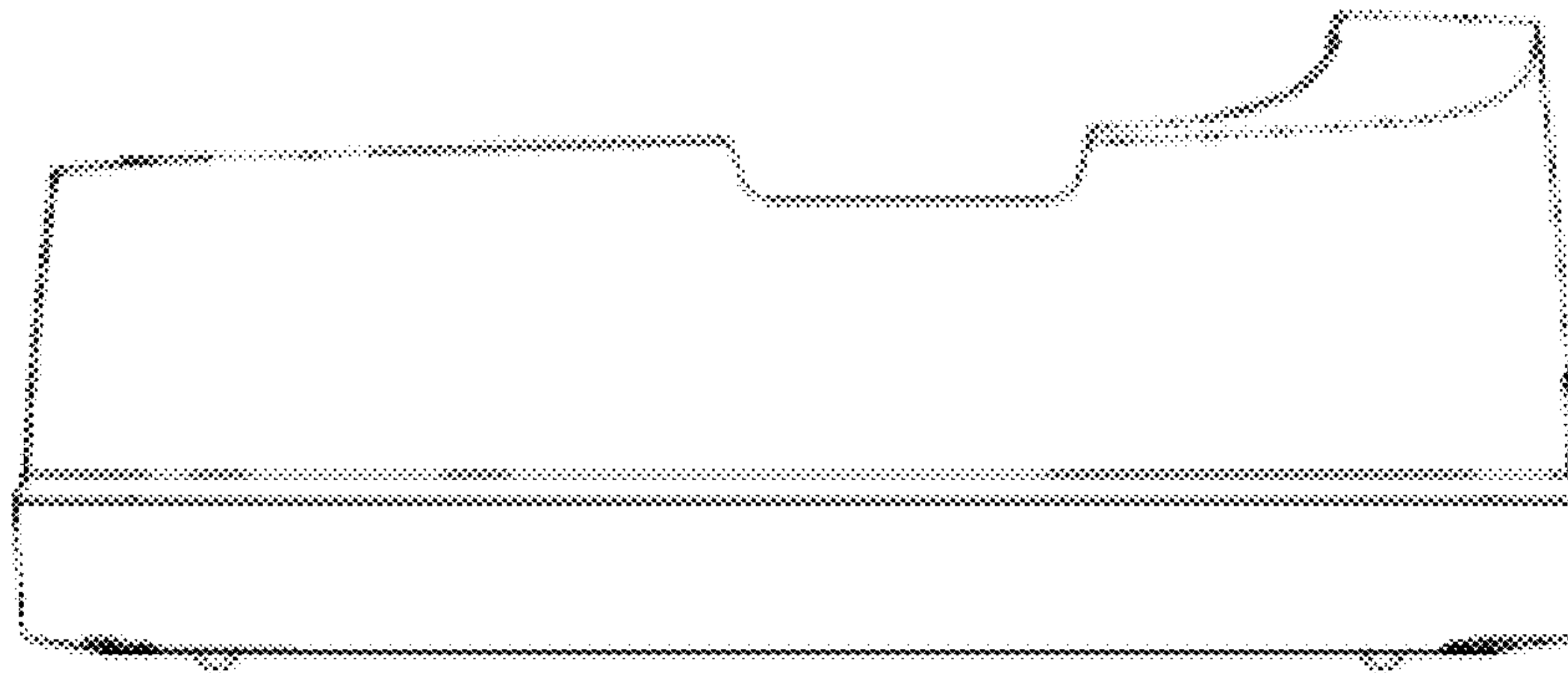
1.2



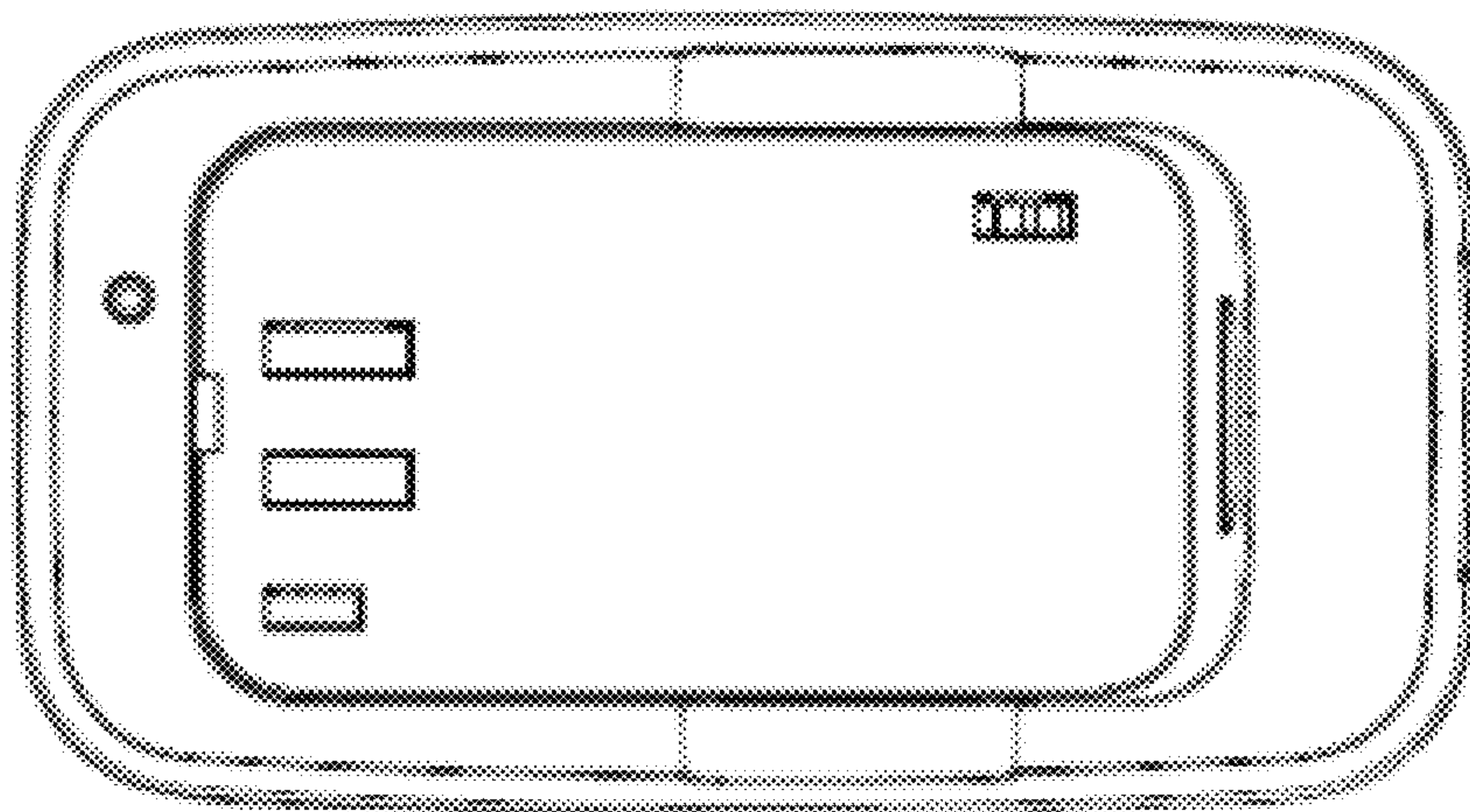
1.3



1.4



1.5



1.6

