



US00D846497S

(12) **United States Design Patent** (10) **Patent No.:** **US D846,497 S**
Clark (45) **Date of Patent:** **** Apr. 23, 2019**

(54) **PORTABLE CHARGING DEVICE**
(71) Applicant: **VOLTBOX, LLC**, Celebration, FL
(US)
(72) Inventor: **Kenneth E. Clark**, Celebration, FL
(US)
(**) Term: **15 Years**
(21) Appl. No.: **29/613,046**
(22) Filed: **Aug. 7, 2017**

D397,084 S * 8/1998 Siddoway D13/107
D608,277 S * 1/2010 Cano D13/108
D629,355 S * 12/2010 Bodley D13/108
D710,797 S * 8/2014 Awiszus D13/107
D749,042 S * 2/2016 Gecawicz D13/107
D755,122 S * 5/2016 Gecawicz D13/107
D780,116 S * 2/2017 Bing D13/107
D789,883 S * 6/2017 Luke D13/107
D789,884 S * 6/2017 Bourgeois D13/107
D799,423 S * 10/2017 Eliyahu D13/108
D813,806 S * 3/2018 Ito D13/108
D820,782 S * 6/2018 Wang D13/107
D820,783 S * 6/2018 Gelder D13/107

* cited by examiner

Related U.S. Application Data

(63) Continuation of application No. 29/610,000, filed on
Jul. 7, 2017.
(51) **LOC (11) Cl.** **13-02**
(52) **U.S. Cl.**
USPC **D13/108**
(58) **Field of Classification Search**
USPC D13/107-110, 118-119, 184, 199;
D14/251, 253, 432, 434
CPC Y02E 60/12; Y02T 90/14; Y02T 90/122;
Y02T 90/128; Y02T 90/163; H02J 7/025;
H02J 7/0042; H02J 7/0044; H02J 7/0045;
H02J 7/0003; H01F 38/14; H01M 2/1022;
H01M 2/1055; H01M 10/44; H01M
10/46; H01M 10/425; B60L 11/182
See application file for complete search history.

Primary Examiner — Rosemary K Tarcza

(57) **CLAIM**

The ornamental design for a portable charging device, as
shown and described.

DESCRIPTION

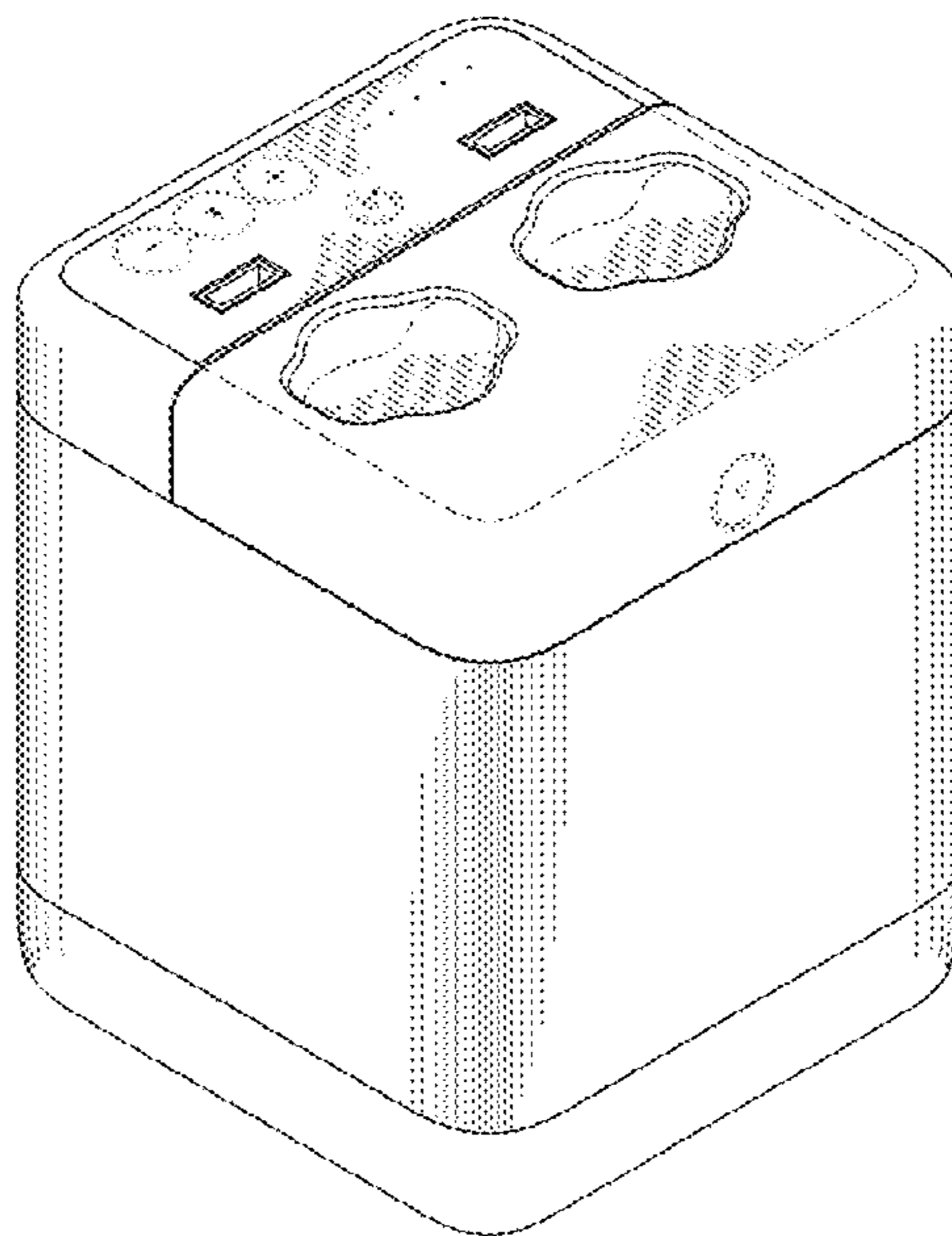
FIG 1 is an isometric top view of a portable charging device
in accordance with the present invention;
FIG. 2 is an isometric bottom view thereof;
FIG. 3 is a front view thereof;
FIG. 4 is a rear view thereof;
FIG. 5 is a left view thereof;
FIG. 6 is a right view thereof;
FIG. 7 is a top view thereof;
FIG. 8 is a bottom view thereof; and,
FIG. 9 is a front-side perspective view thereof, shown in an
environment of use with a cord and electronic device.
The broken lines shown in the drawings illustrate environ-
mental structure or portions of the portable charging device
which form no part of the claimed design.

(56) **References Cited**

U.S. PATENT DOCUMENTS

D278,426 S * 4/1985 Lanci D13/107
D350,329 S * 9/1994 Lindeman D13/107

1 Claim, 9 Drawing Sheets



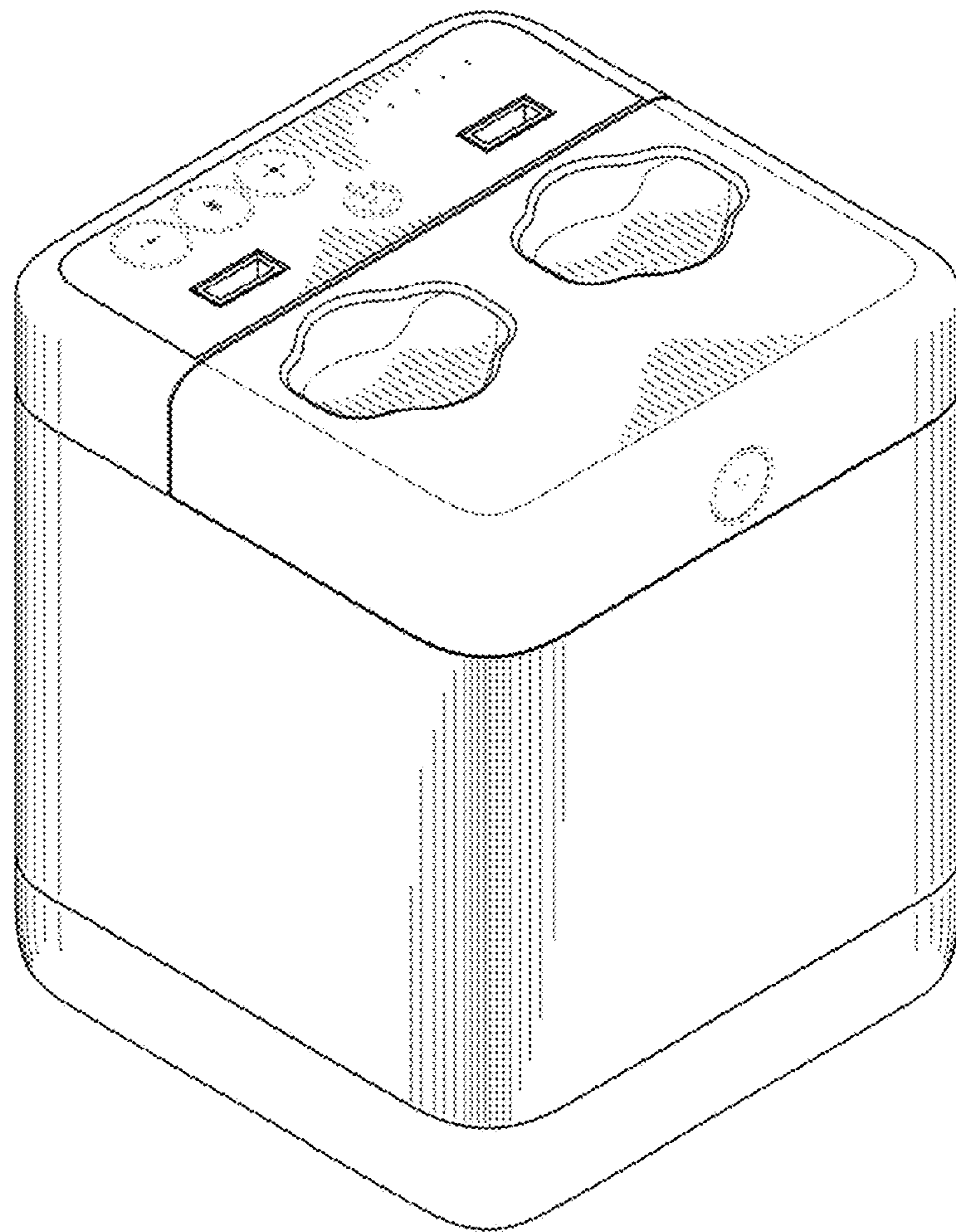


FIG. 1

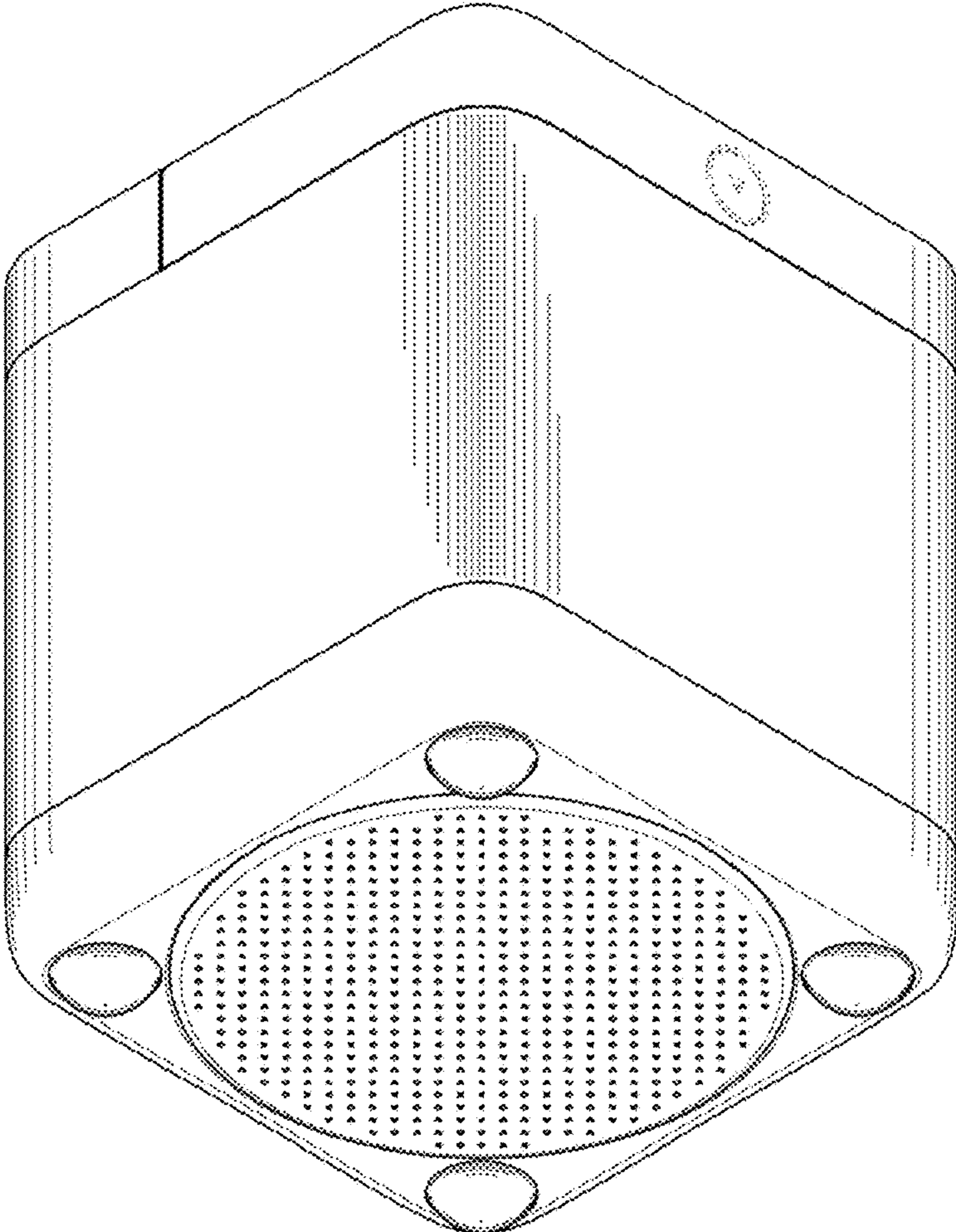


FIG. 2

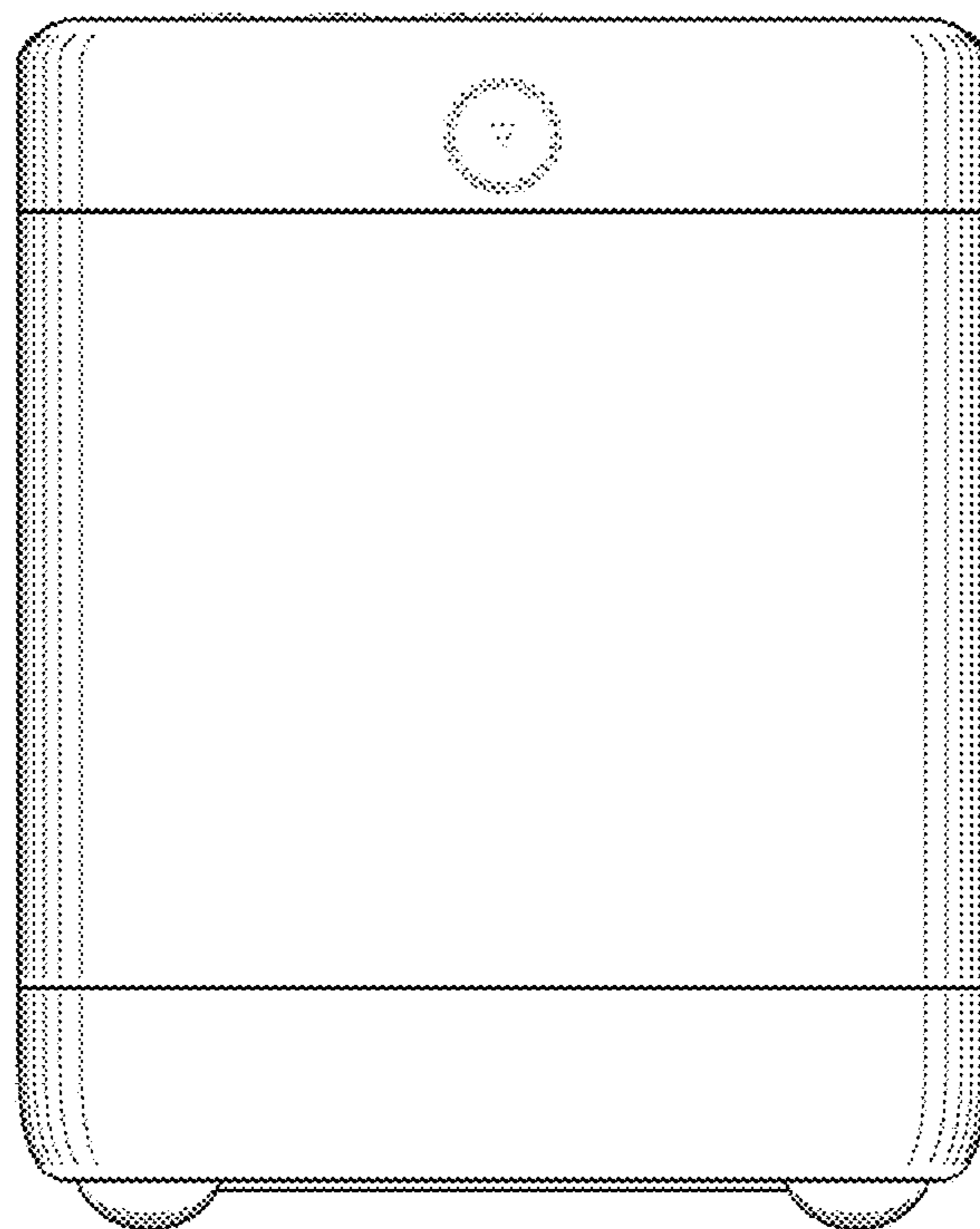


FIG. 3

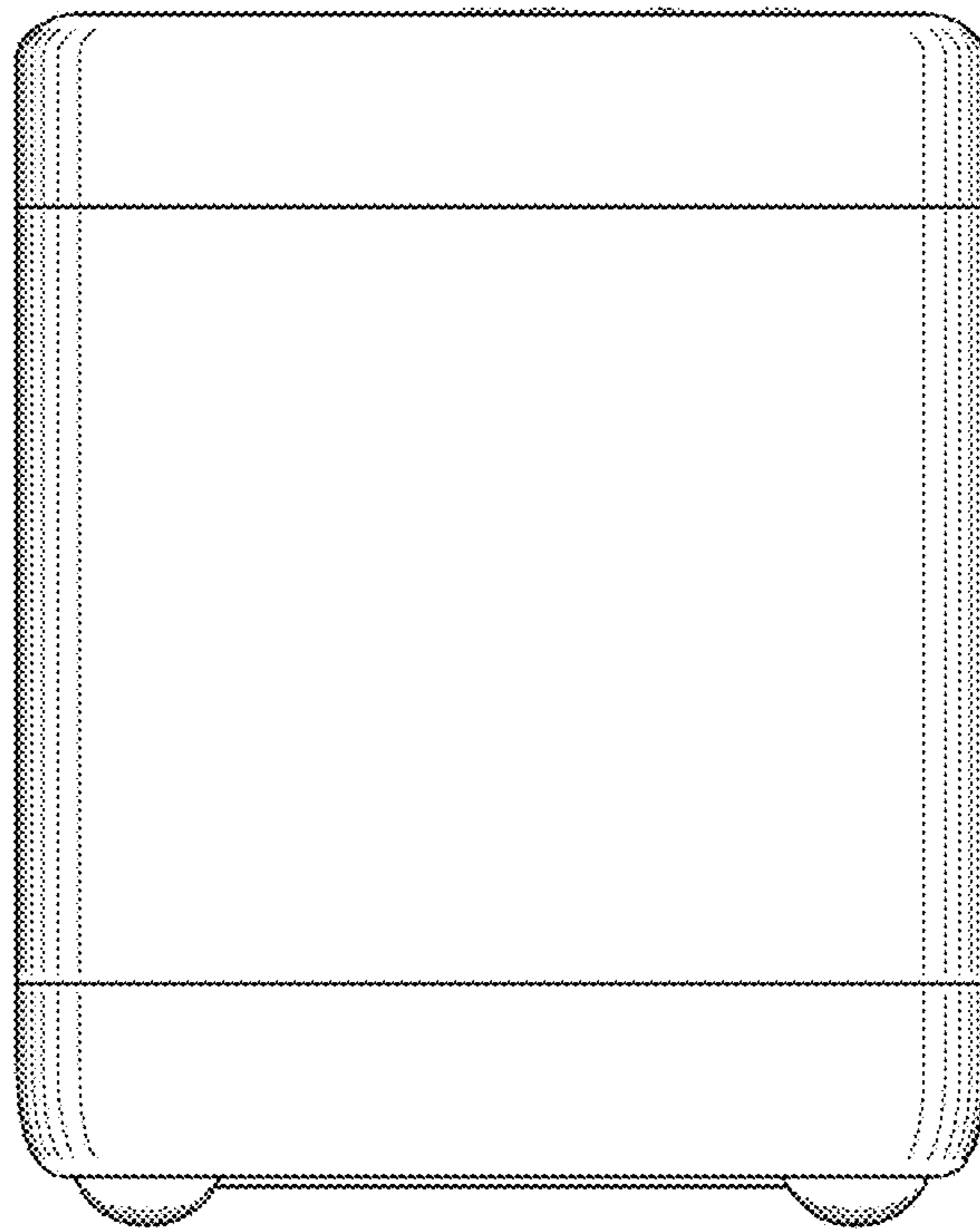


FIG. 4

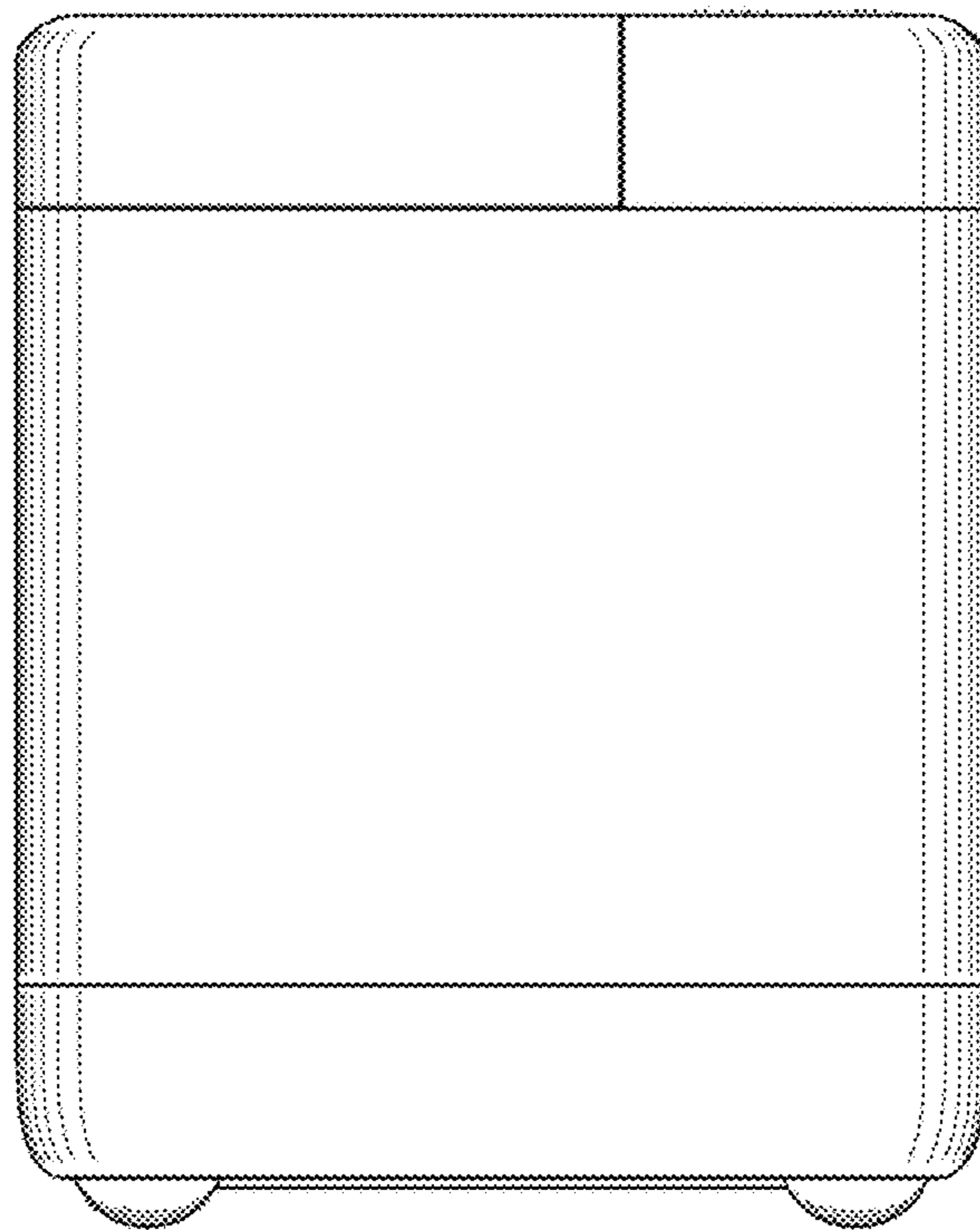


FIG. 5

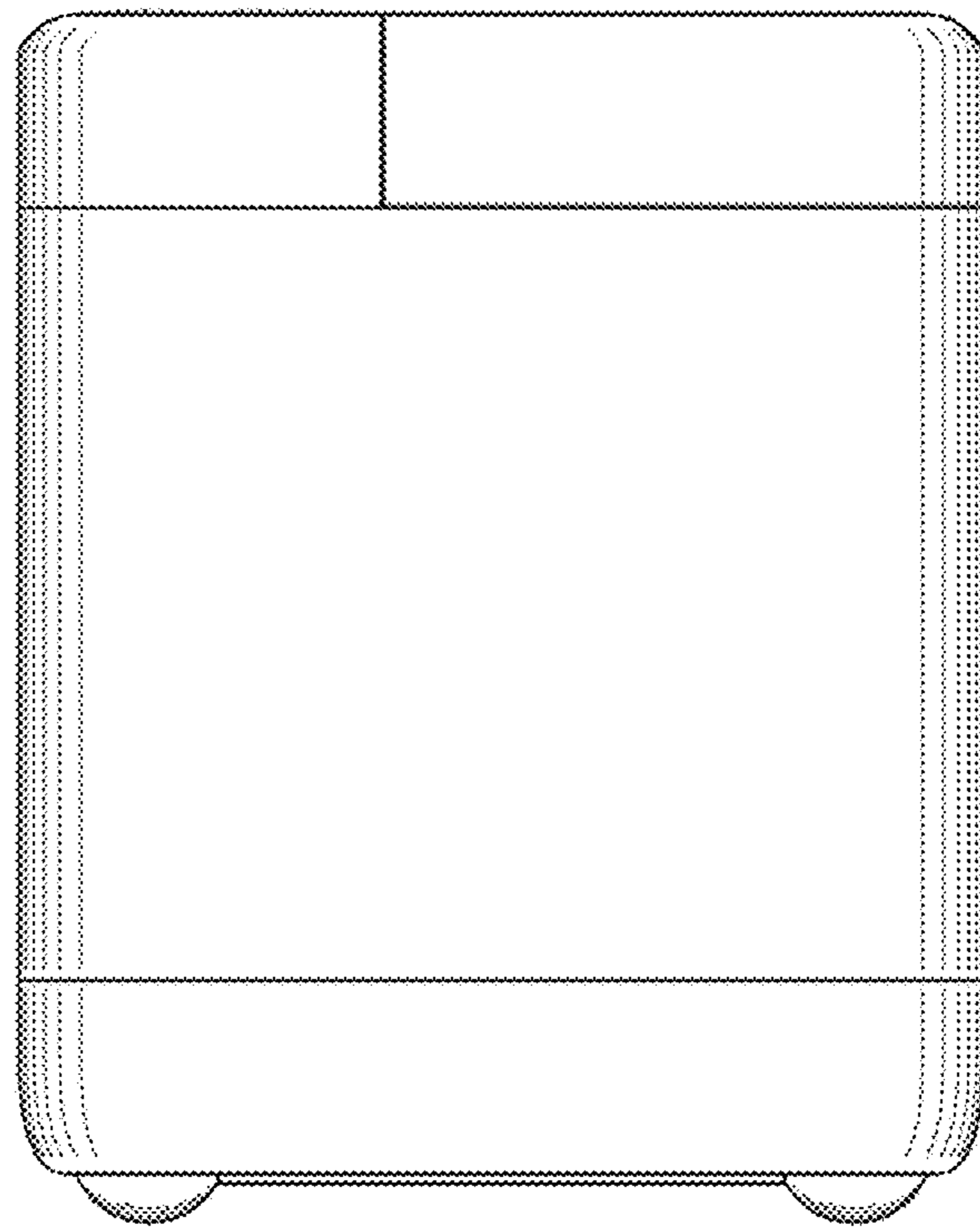


FIG. 6

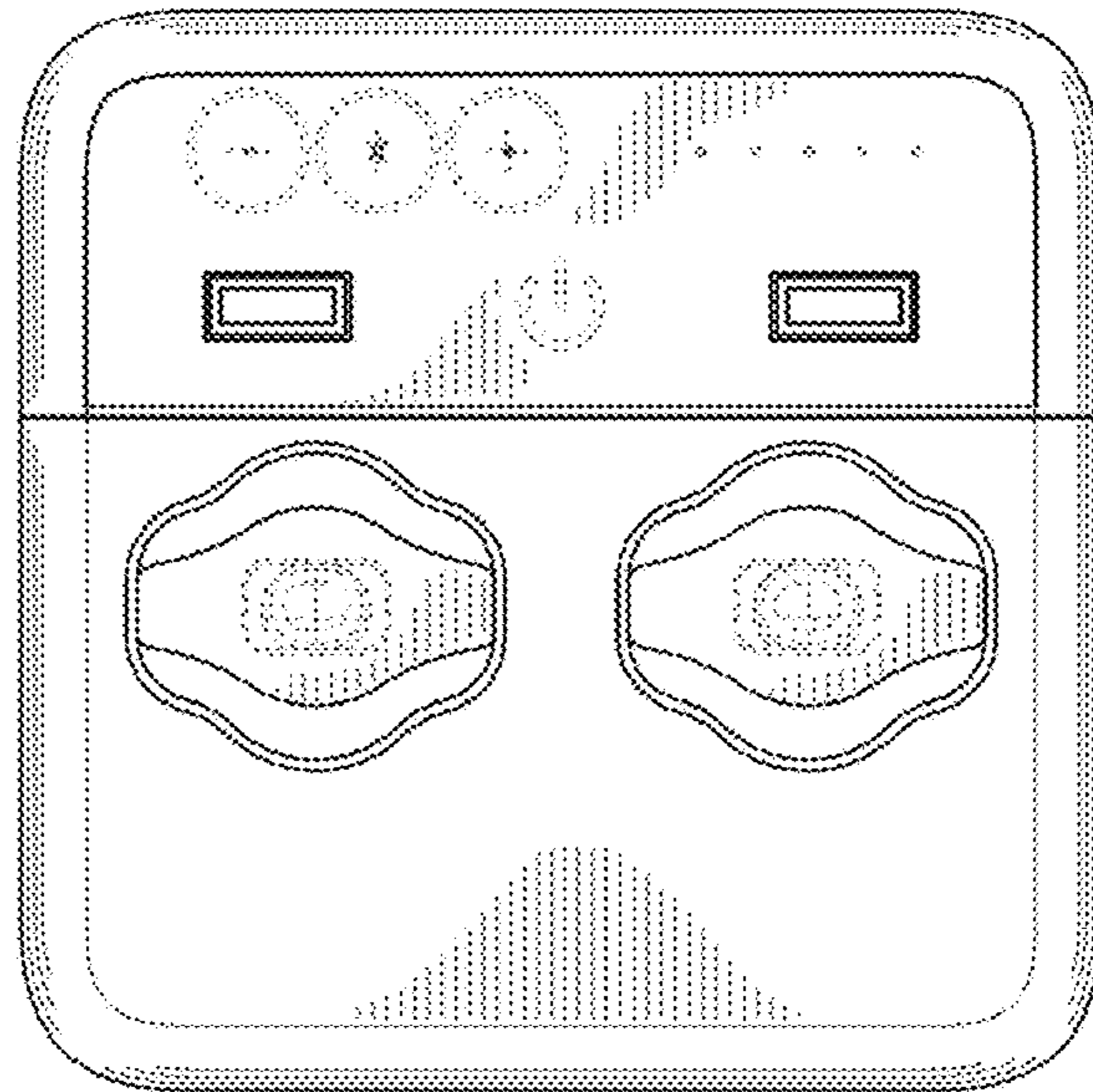


FIG. 7

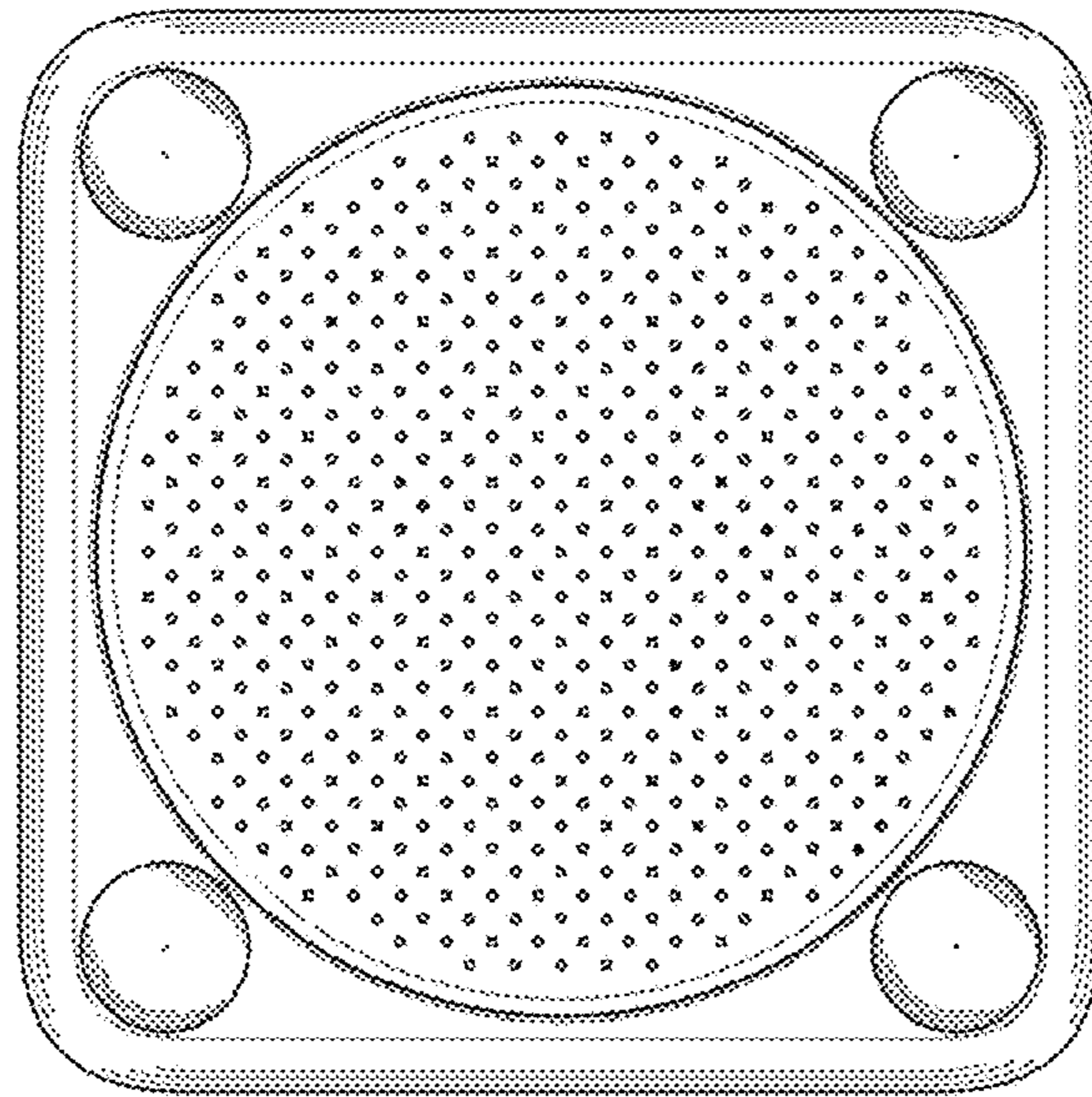


FIG. 8

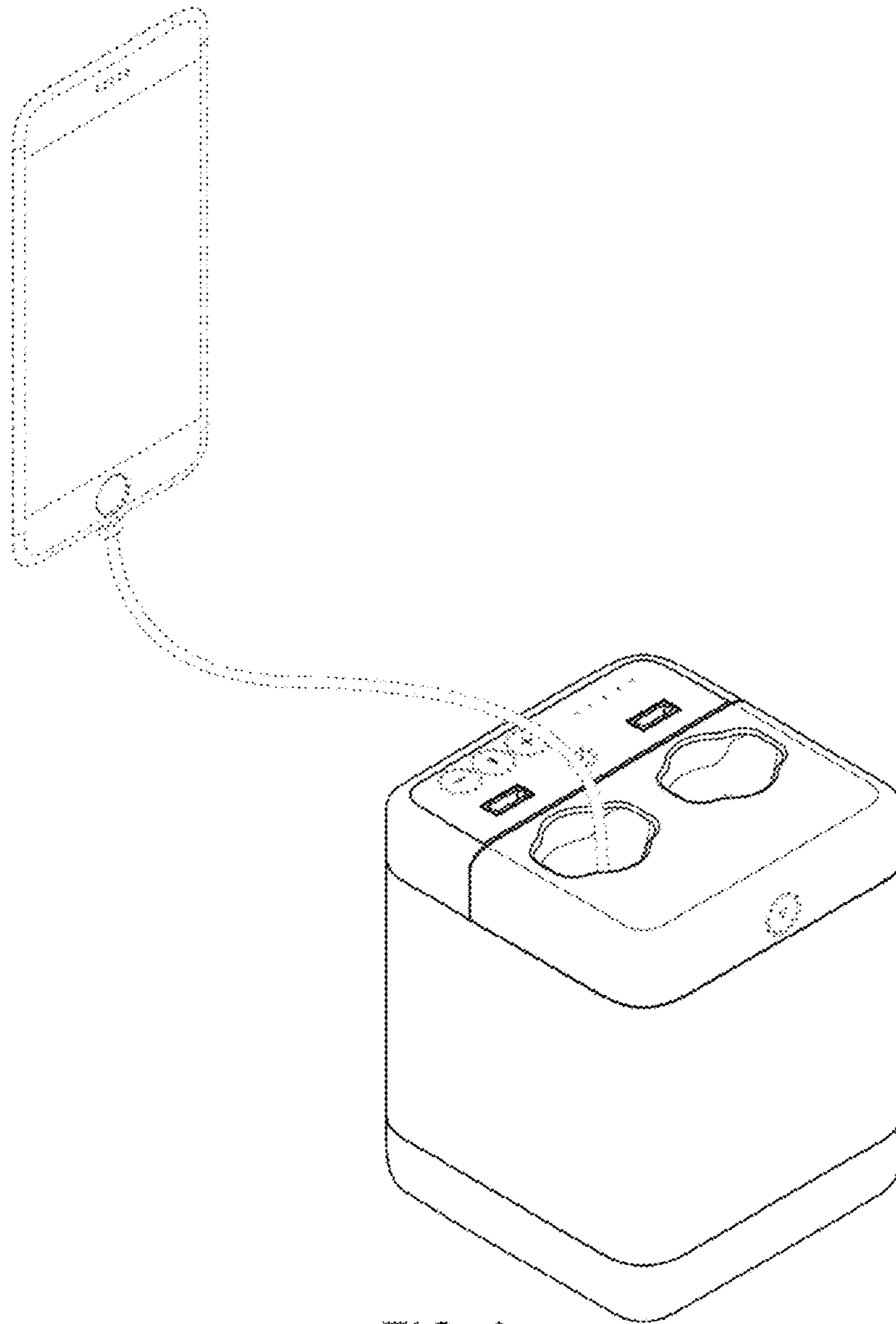


FIG. 9