

US00D846494S

(12) **United States Design Patent**
Takahashi

(10) **Patent No.:** **US D846,494 S**

(45) **Date of Patent:** **** Apr. 23, 2019**

(54) **STORAGE BATTERY**

(71) Applicant: **HONDA MOTOR CO., LTD.**, Tokyo
(JP)

(72) Inventor: **Yasushi Takahashi**, Wako (JP)

(73) Assignee: **HONDA MOTOR CO., LTD.**, Tokyo
(JP)

(**) Term: **15 Years**

(21) Appl. No.: **29/629,578**

(22) Filed: **Dec. 14, 2017**

(30) **Foreign Application Priority Data**

Jul. 14, 2017 (JP) 2017-015199

(51) **LOC (11) Cl.** **13-02**

(52) **U.S. Cl.**
USPC **D13/103**

(58) **Field of Classification Search**

USPC D13/102-106, 110, 118, 119, 184, 199,
D13/107, 108

CPC Y02E 60/12; Y02E 60/122; Y02E 60/124;
Y02E 60/50; H01M 2/02; H01M 2/022;
H01M 2/0202; H01M 2/0207; H01M
2/0212; H01M 2/1061; H01M 2/1022;
H01M 2/1055; H01M 2/1066; H01M
2/105; H01M 2/204; H01M 10/4257;
H01M 10/0436; H01M 10/48

See application file for complete search history.

(56) **References Cited**

U.S. PATENT DOCUMENTS

4,607,904 A * 8/1986 D'Alessandro H01M 2/1011
439/476.1
D582,416 S * 12/2008 Duarte D14/434
D634,706 S * 3/2011 Takeno D13/107
D686,886 S * 7/2013 Meyers D7/629
D755,155 S * 5/2016 Paterson D14/204

D762,165 S * 7/2016 Rowe D13/103
D762,193 S * 7/2016 Petersen D14/215
D764,403 S * 8/2016 Azuma D13/103

(Continued)

FOREIGN PATENT DOCUMENTS

JP 1539431 S 12/2015
JP 1545189 S 3/2016
JP 1546725 S 3/2016

OTHER PUBLICATIONS

Autoblog.com: Honda robots, vehicles powered by new Mobile Power Packs. Published Jan. 10, 2018. Retrieved from the internet at <<https://www.autoblog.com/2018/01/10/honda-robot-ev-batteries/>>, Dec. 5, 2018. 1 page. (Year: 2018).*

Primary Examiner — Rosemary K Tarcza

Assistant Examiner — Christy M Nemeth

(74) *Attorney, Agent, or Firm* — Westerman, Hattori,
Daniels & Adrian, LLP

(57) **CLAIM**

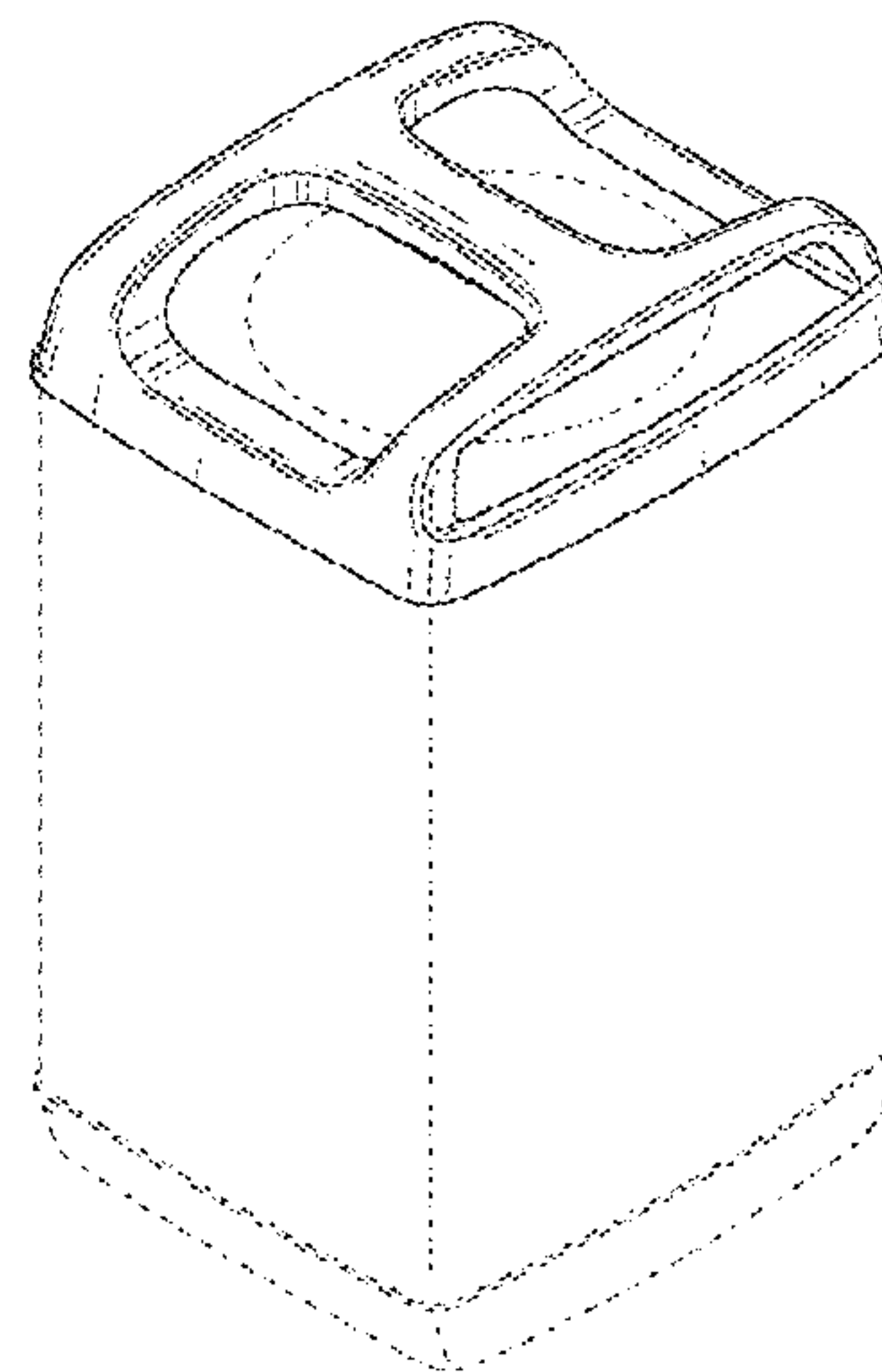
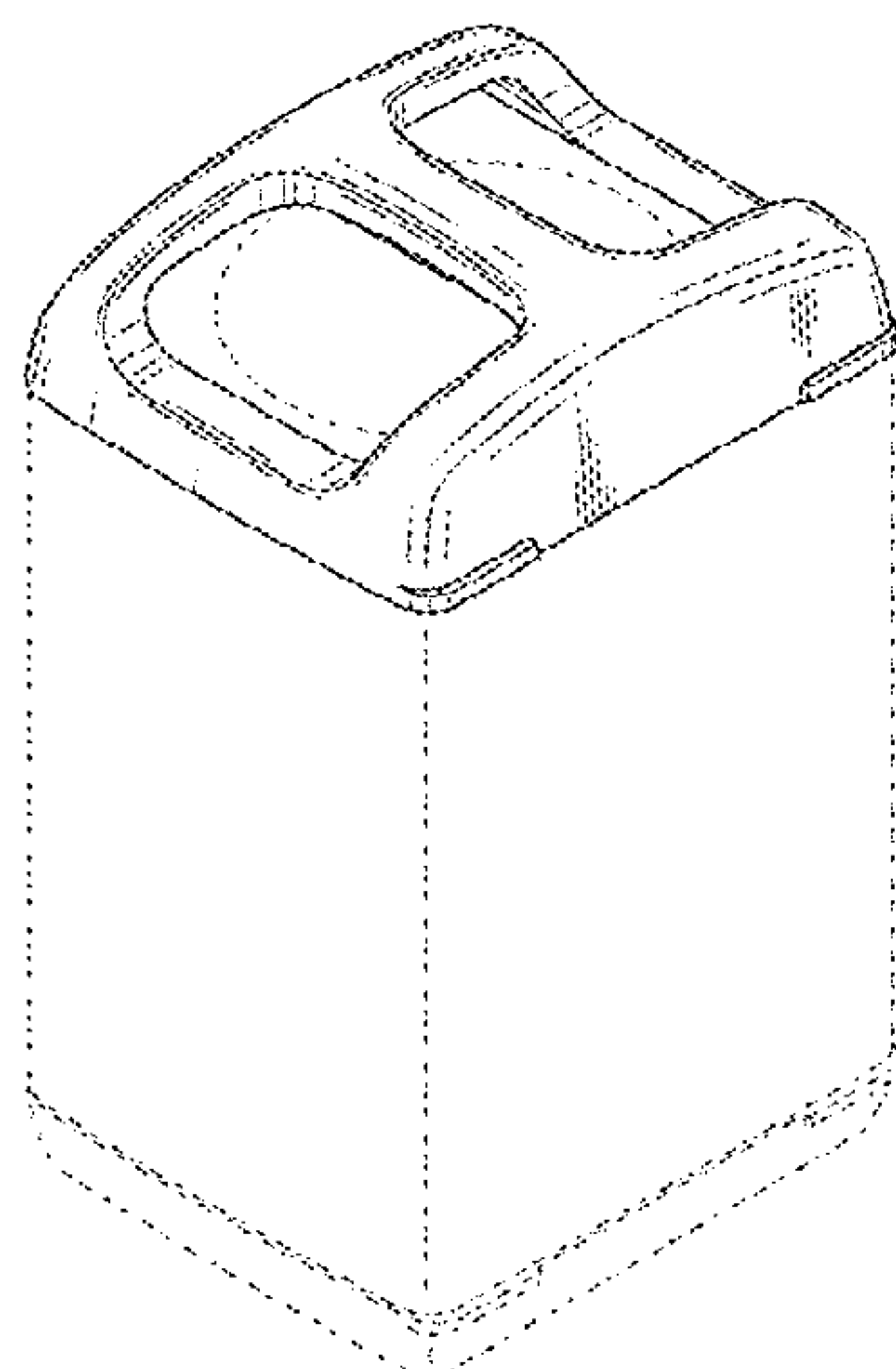
The ornamental design for a storage battery, as shown and described.

DESCRIPTION

FIG. 1 is a front right perspective view of a storage battery.
FIG. 2 is a rear right perspective view thereof.
FIG. 3 is a front left perspective view thereof.
FIG. 4 is a rear left perspective view thereof.
FIG. 5 is a front elevation view thereof.
FIG. 6 is a rear elevation view thereof.
FIG. 7 is a right side elevation view thereof.
FIG. 8 is a left side elevation view thereof.
FIG. 9 is a top plan view thereof; and,
FIG. 10 is a bottom plan view thereof.

The broken lines shown in the drawings illustrate portions of the storage battery that form no part of the claimed design.

1 Claim, 10 Drawing Sheets



(56)

References Cited

U.S. PATENT DOCUMENTS

D807,184 S *	1/2018	Moe	D9/531
D820,197 S *	6/2018	Luke	D13/103
D827,569 S *	9/2018	Roberts	D13/108
D828,033 S *	9/2018	Michael	D3/318

* cited by examiner

FIG. 1

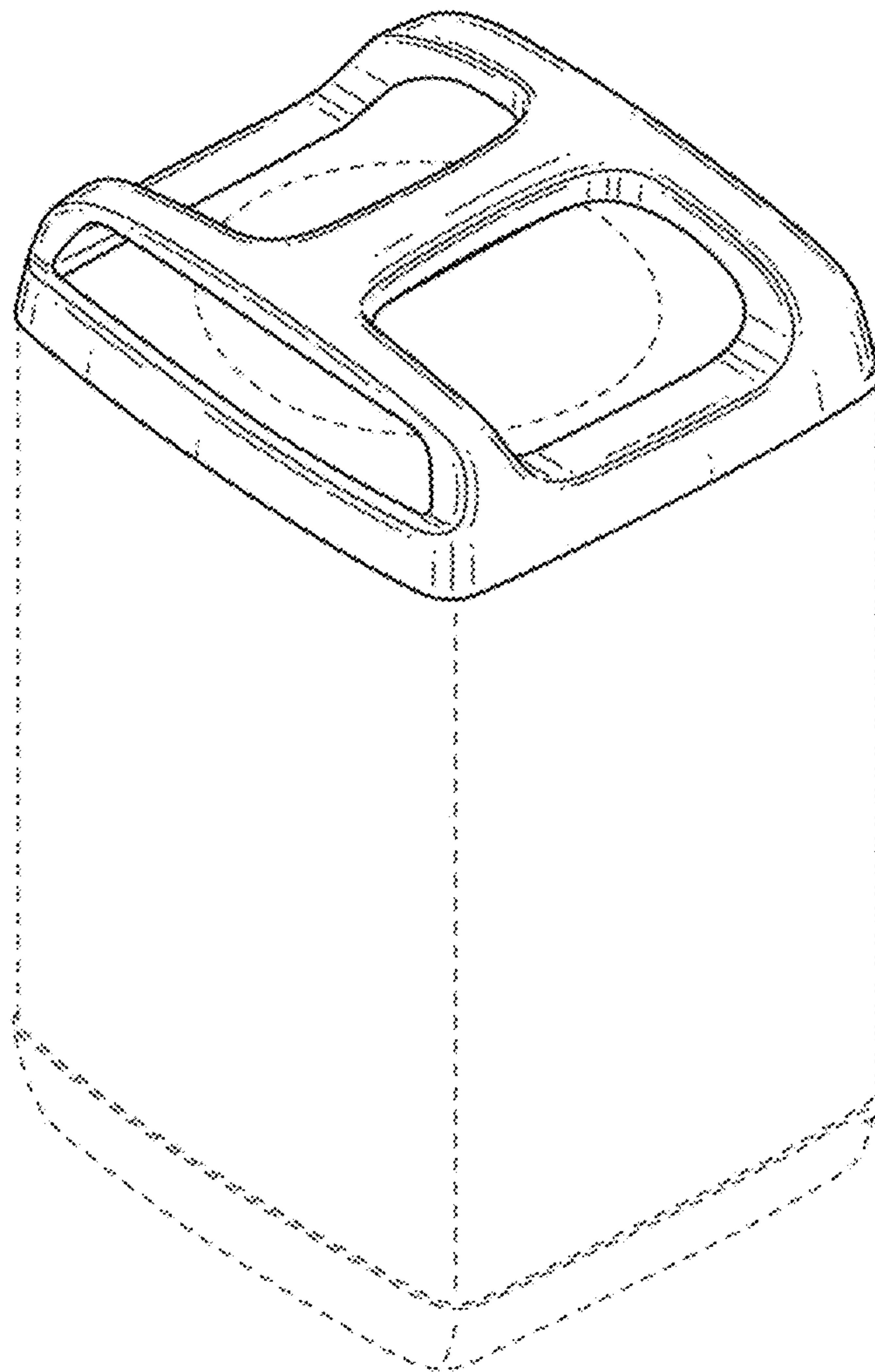


FIG. 2

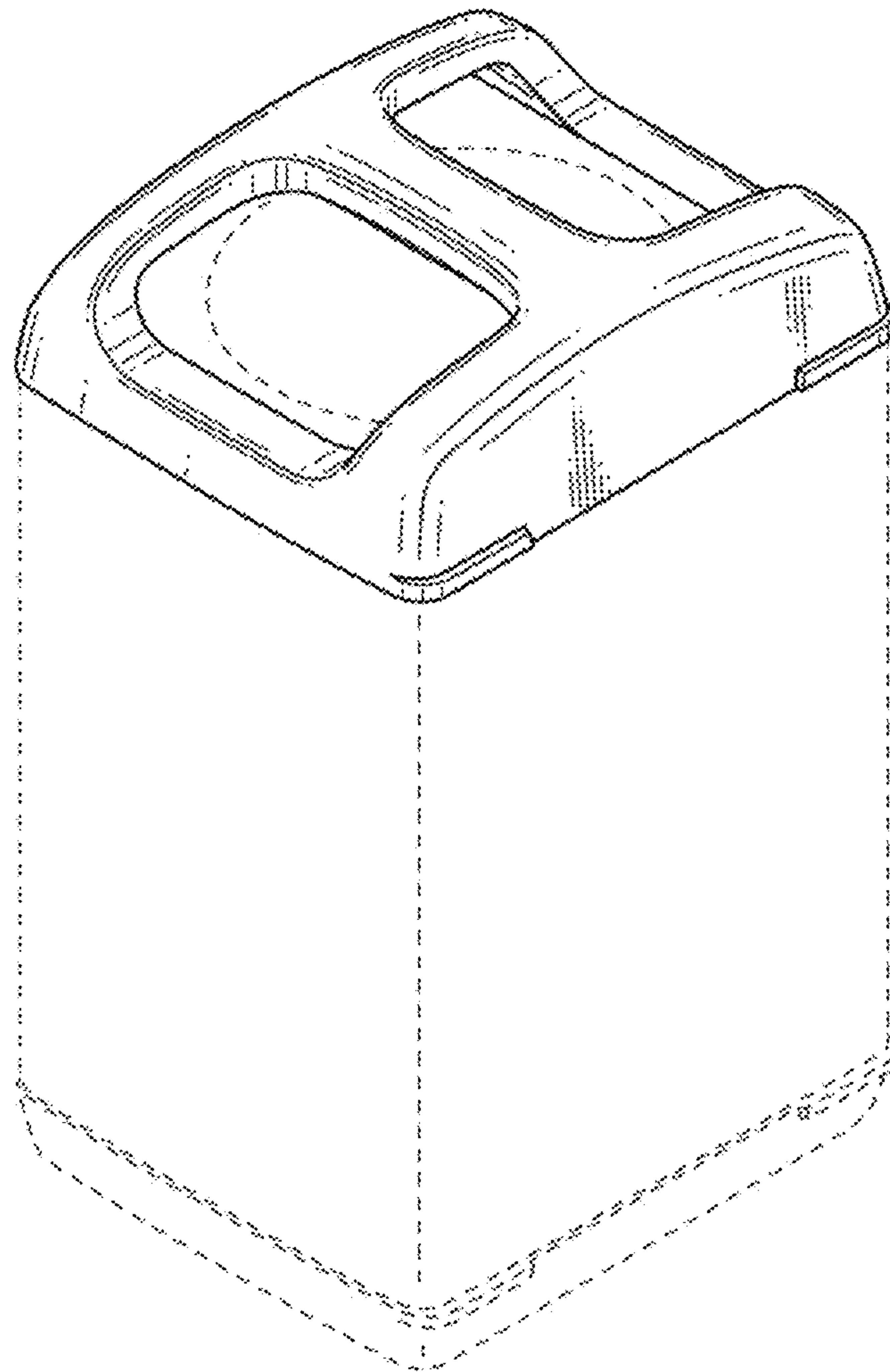


FIG. 3

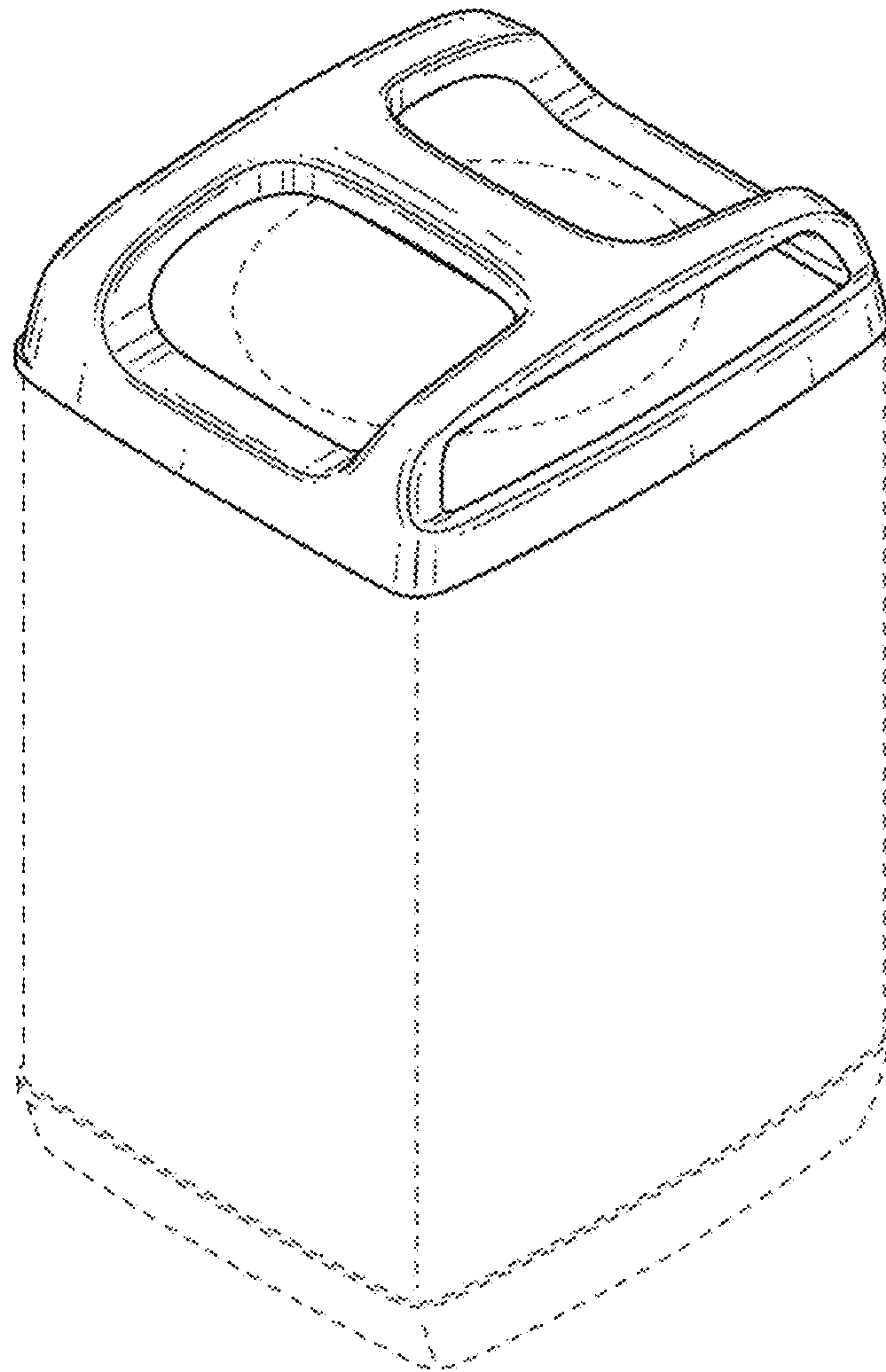


FIG. 4

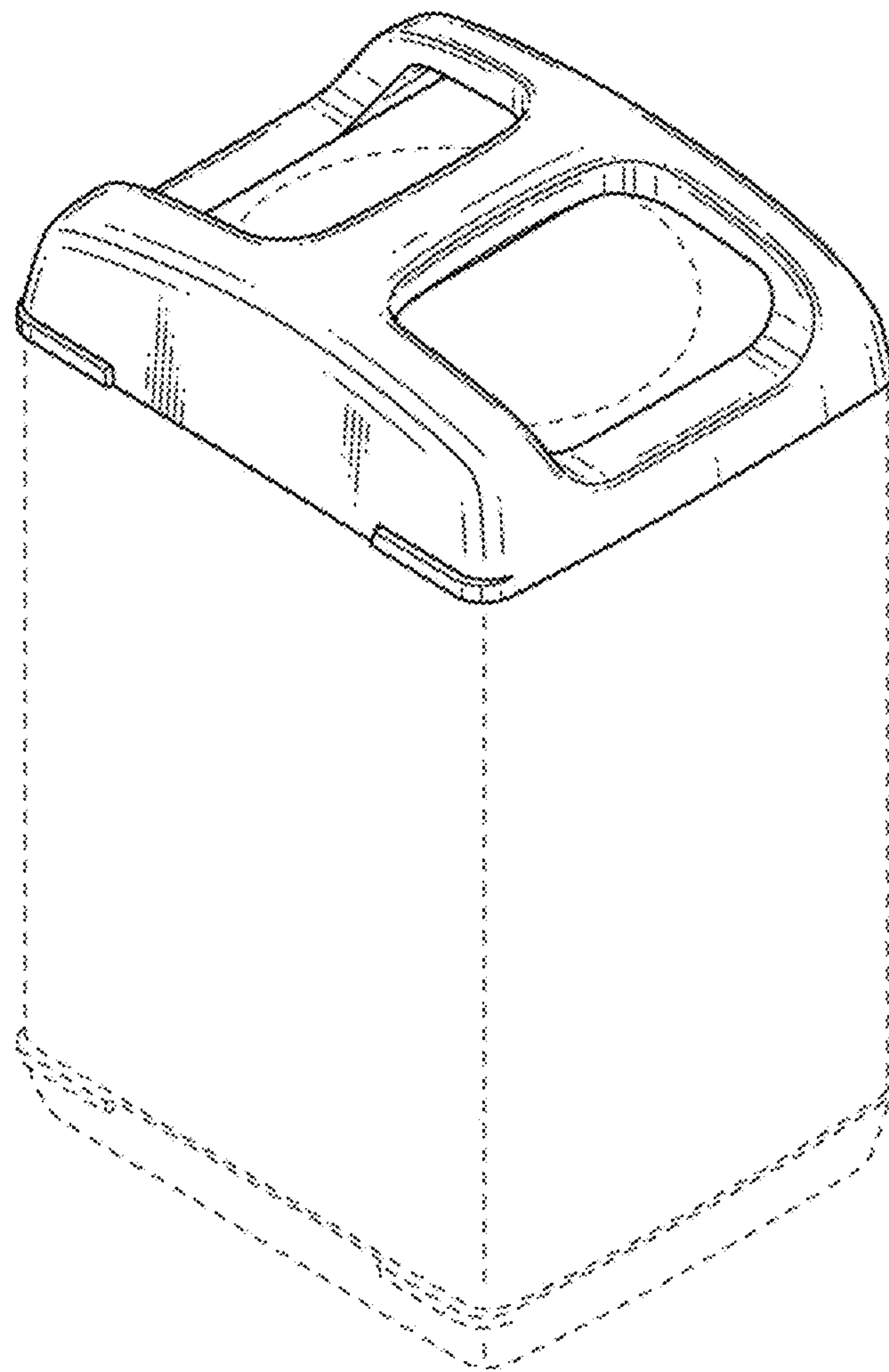


FIG. 5

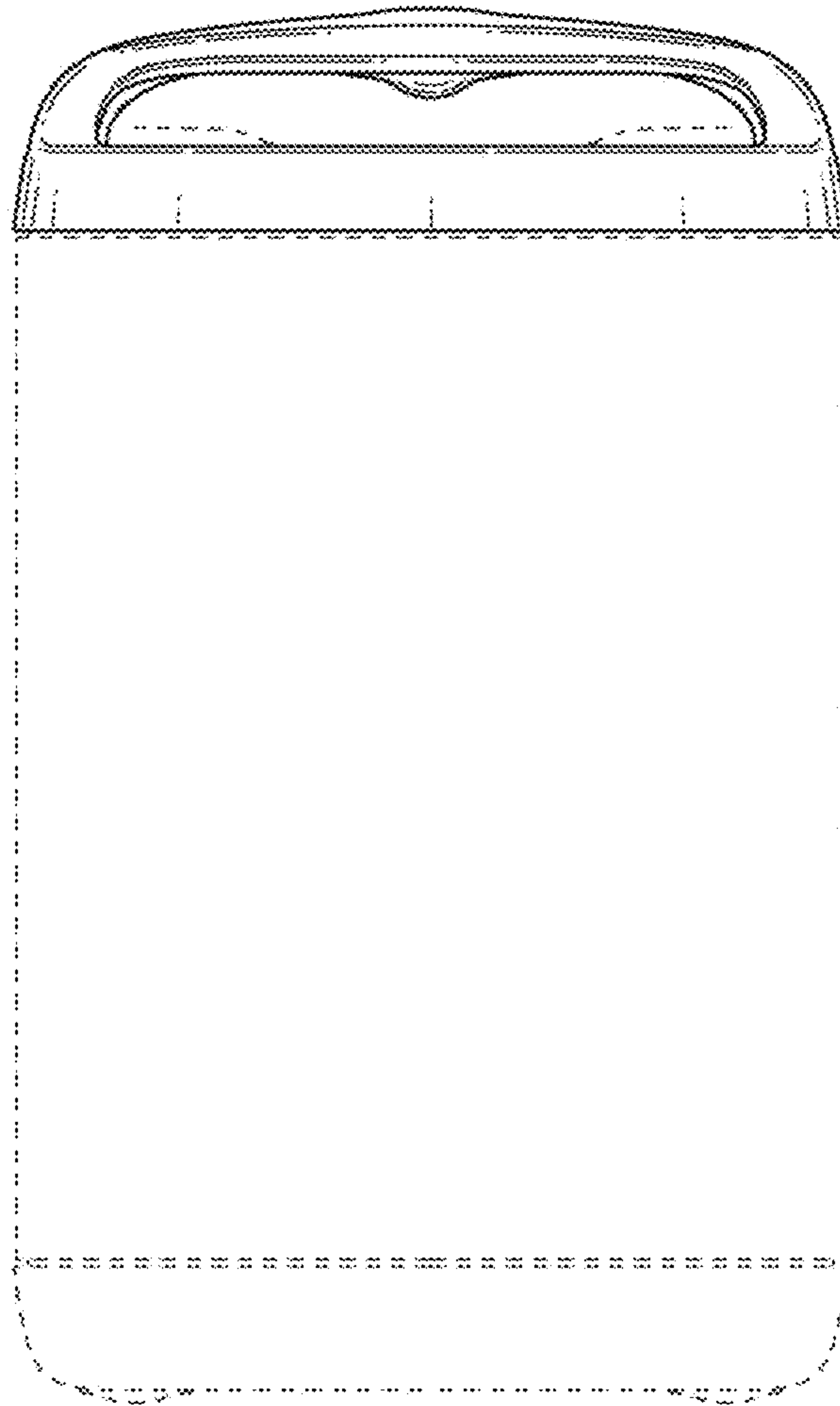


FIG. 6



FIG. 7

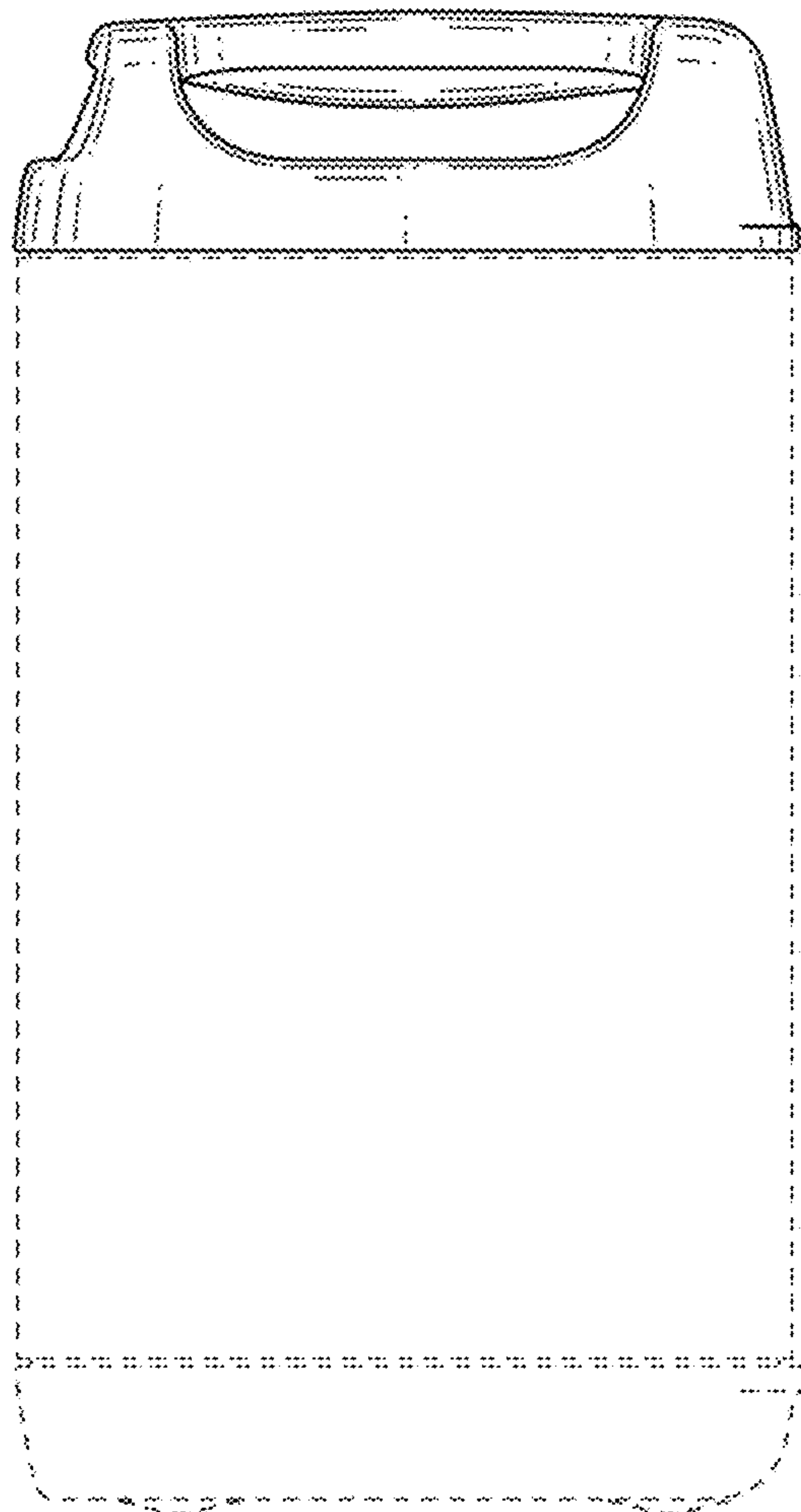


FIG. 8

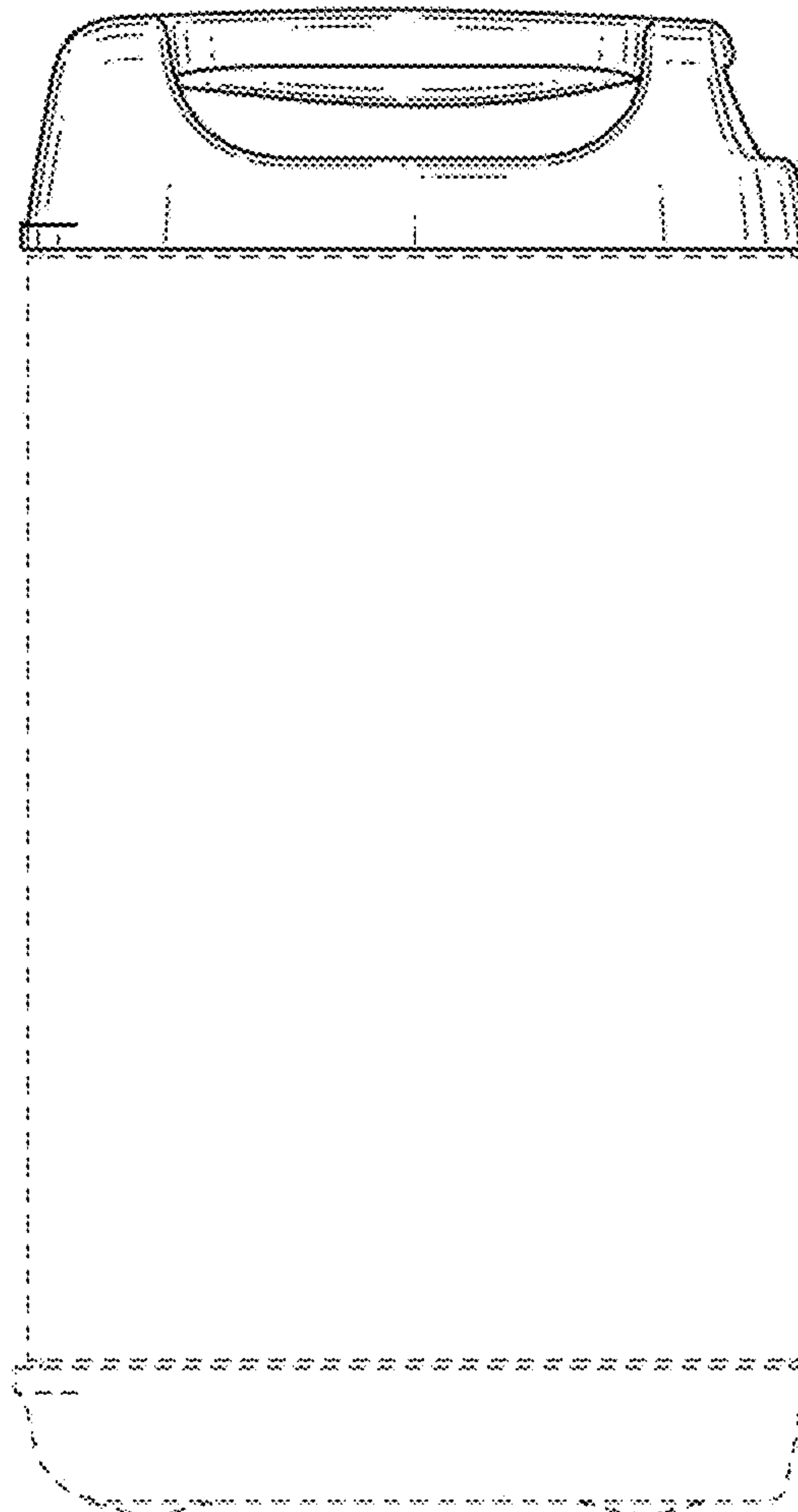


FIG. 9

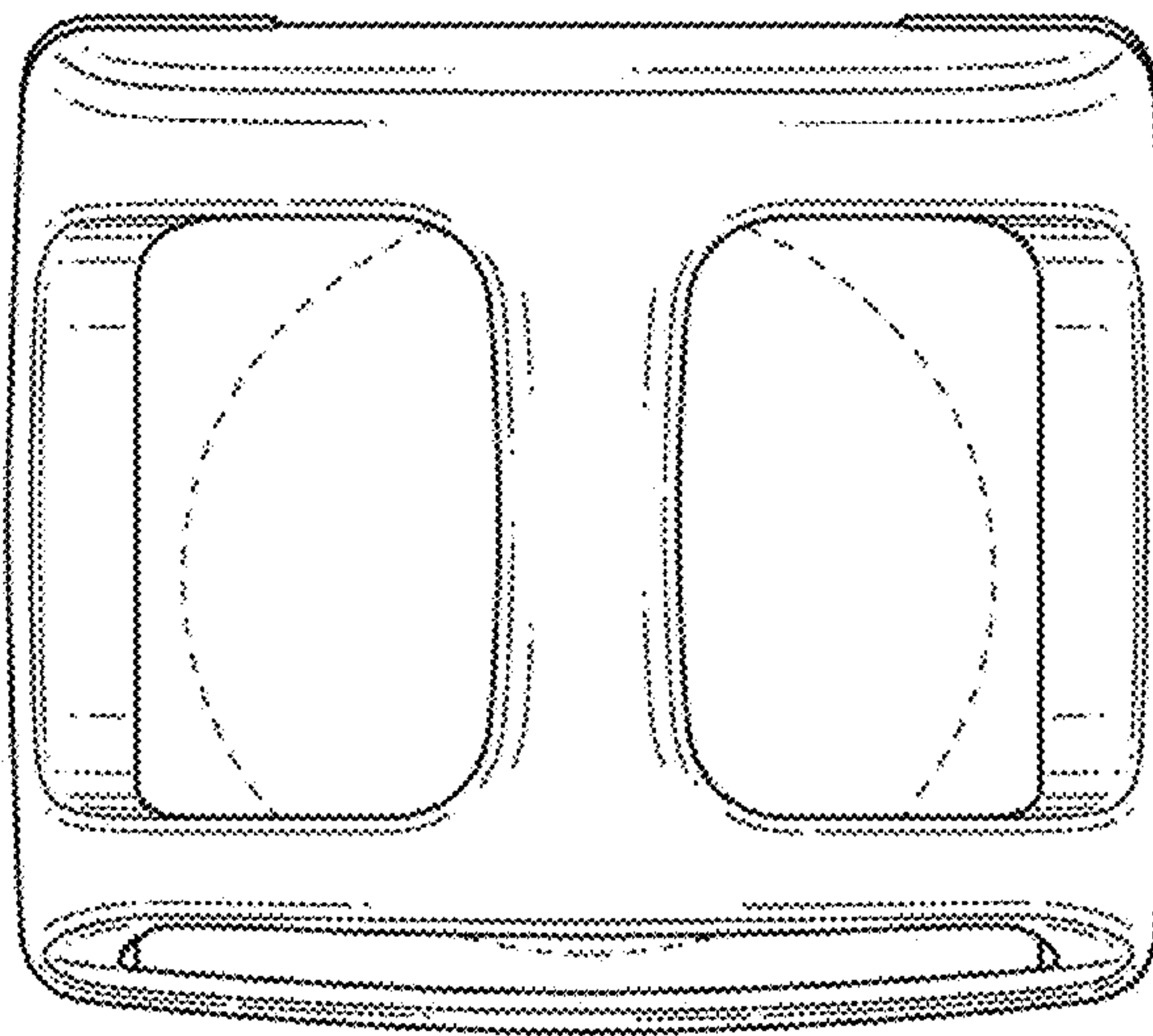


FIG. 10

