



US00D846493S

(12) **United States Design Patent**
Tononishi

(10) **Patent No.:** **US D846,493 S**

(45) **Date of Patent:** **** Apr. 23, 2019**

(54) **RECHARGEABLE BATTERY**

(71) Applicant: **GS Yuasa International Ltd.**,
Kyoto-shi Kyoto (JP)

(72) Inventor: **Masamitsu Tononishi**, Kyoto (JP)

(73) Assignee: **GS Yuasa International Ltd.**, Kyoto
(JP)

(**) Term: **15 Years**

(21) Appl. No.: **29/622,441**

(22) Filed: **Oct. 17, 2017**

Related U.S. Application Data

(62) Division of application No. 29/566,603, filed on Jun. 1, 2016, now Pat. No. Des. 803,778.

(30) **Foreign Application Priority Data**

Dec. 3, 2015 (JP) 2015-027117
Dec. 3, 2015 (JP) 2015-027118
Dec. 3, 2015 (JP) 2015-027119

(51) **LOC (11) Cl.** **13-02**

(52) **U.S. Cl.**
USPC **D13/103**

(58) **Field of Classification Search**
USPC D13/102-106, 110, 118, 119, 184, 199,
D13/107, 108
CPC Y02E 60/12; Y02E 60/122; Y02E 60/124;
Y02E 60/50; H01M 2/02; H01M 2/022;
H01M 2/0202; H01M 2/0207; H01M
(Continued)

(56) **References Cited**

U.S. PATENT DOCUMENTS

D314,176 S 1/1991 Weber et al.
5,681,178 A 10/1997 Kunkle et al.
(Continued)

Primary Examiner — Rosemary K Tarcza

Assistant Examiner — Christy M Nemeth

(74) *Attorney, Agent, or Firm* — Capitol City TechLaw

(57) **CLAIM**

The ornamental design for a rechargeable battery, as shown and described.

DESCRIPTION

FIG. 1 is a front, top, and left side perspective view of a first embodiment of a rechargeable battery showing my new design;

FIG. 2 is a front view thereof;

FIG. 3 is a rear view thereof;

FIG. 4 is a top view thereof;

FIG. 5 is a right side view thereof;

FIG. 6 is an enlarged partial view of the rechargeable battery in the area of arrow lines 6-6 of FIG. 1;

FIG. 7 is an enlarged partial view of the rechargeable battery in the area of arrow lines 7-7 of FIG. 4;

FIG. 8 is an enlarged partial view of the rechargeable battery in the direction of reference arrow 8 of FIG. 1;

FIG. 9 is a front, top, and left side perspective view of a second embodiment of a rechargeable battery showing my new design;

FIG. 10 is a front view thereof;

FIG. 11 is a rear view thereof;

FIG. 12 is a top view thereof;

FIG. 13 is a right side view thereof;

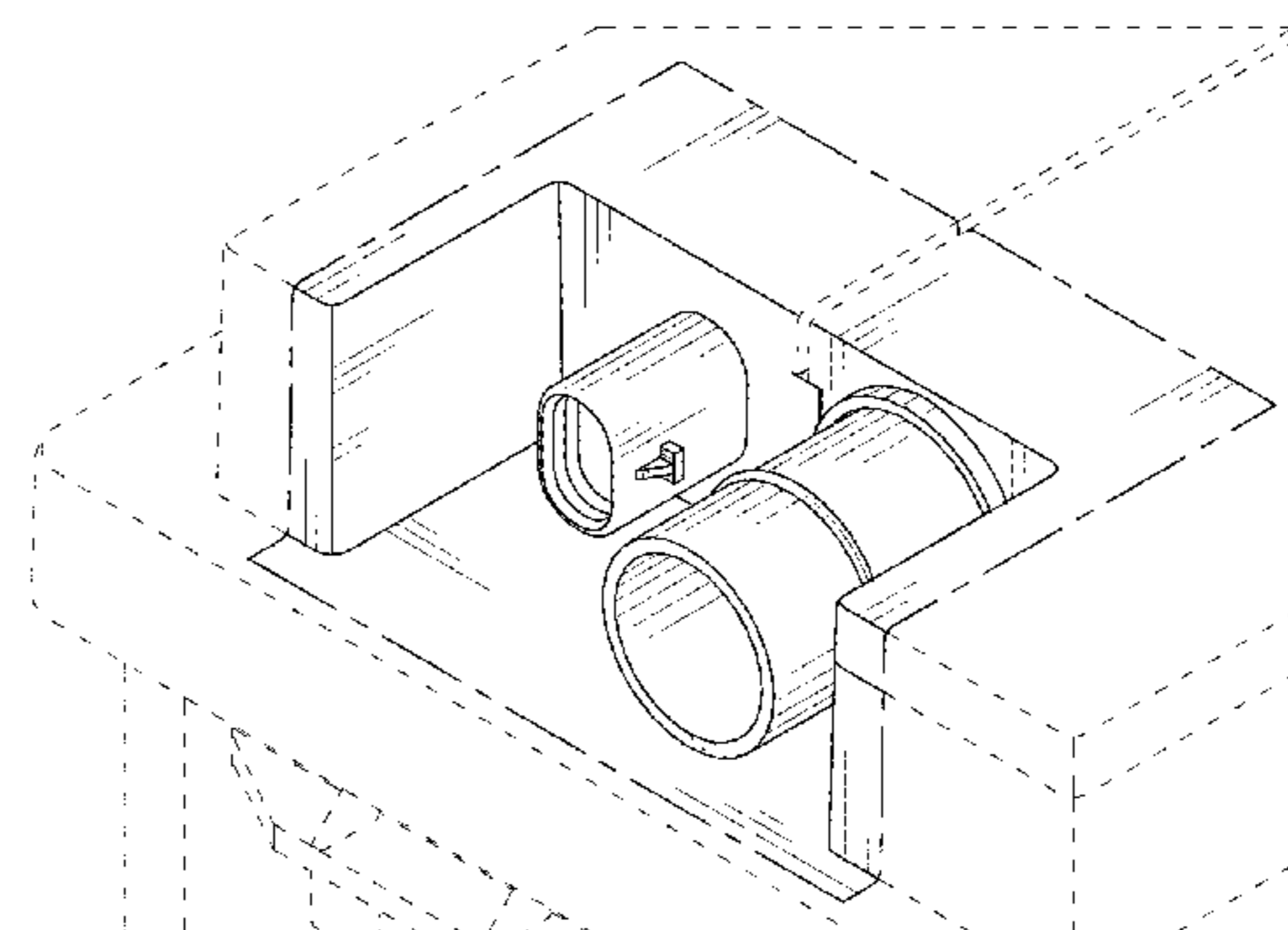
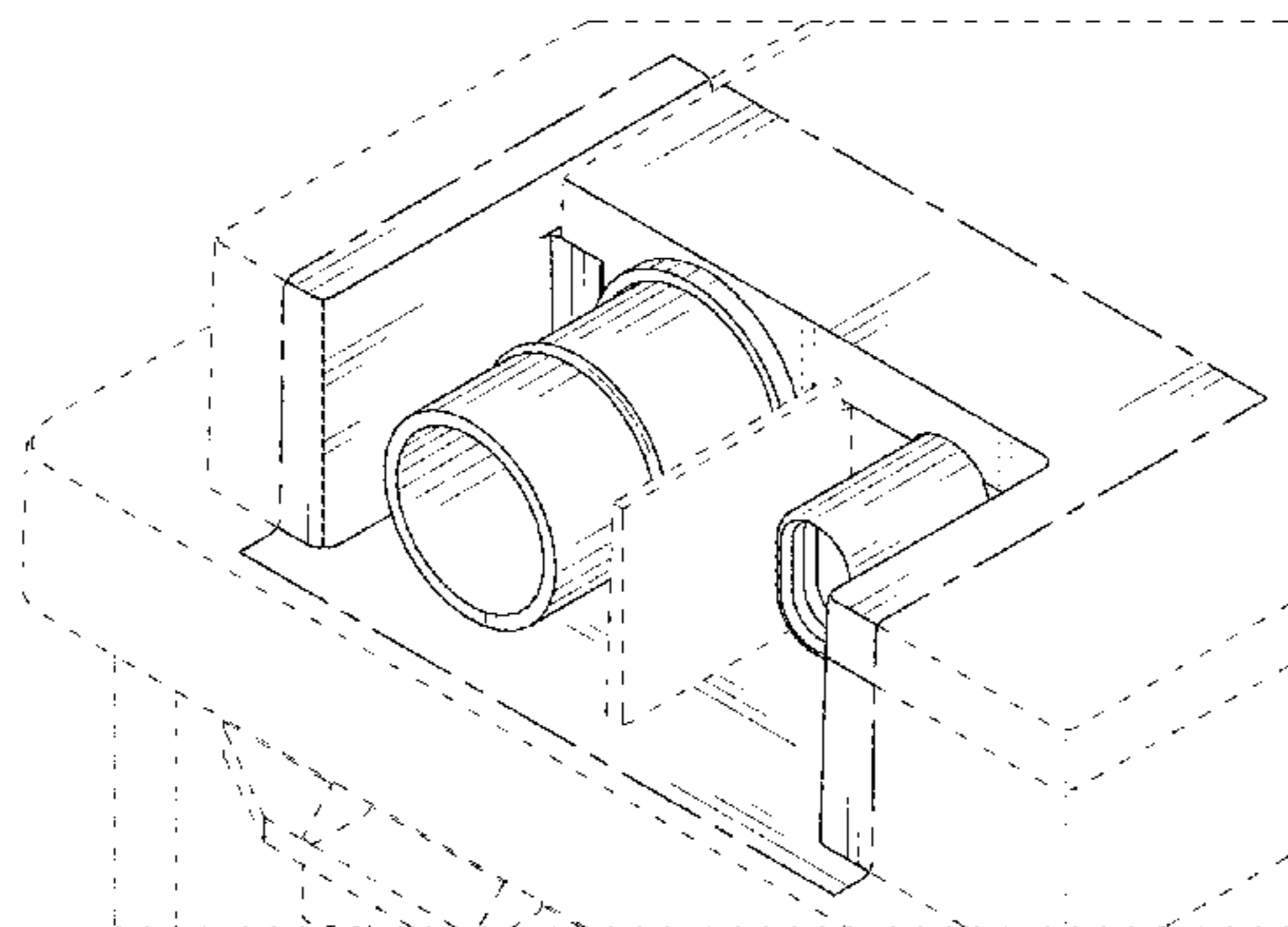
FIG. 14 is an enlarged partial view of the rechargeable battery in the area of arrow lines 14-14 of FIG. 9;

FIG. 15 is an enlarged partial view of the rechargeable battery in the area of arrow lines 15-15 of FIG. 12; and,

FIG. 16 is an enlarged partial view of the rechargeable battery in the direction of reference arrow 16 of FIG. 9.

The dashed broken lines shown in the figures illustrate portions of the rechargeable battery that form no part of the claimed design, and the dot-dash broken lines shown in the figures represent unclaimed boundaries.

1 Claim, 16 Drawing Sheets



(58) **Field of Classification Search**

CPC 2/0212; H01M 2/1061; H01M 2/1022;
 H01M 2/1055; H01M 2/1066; H01M
 2/105; H01M 2/204; H01M 10/4257;
 H01M 10/0436; H01M 10/48

See application file for complete search history.

(56) **References Cited**

U.S. PATENT DOCUMENTS

D475,014	S	5/2003	Kano	
D742,307	S *	11/2015	DeKeuster	D13/103
9,349,999	B2 *	5/2016	Kusunoki	H01M 2/1016
D765,030	S *	8/2016	Tyler	D13/119
D803,776	S *	11/2017	Tononishi	D13/103
D803,778	S *	11/2017	Tononishi	D13/103
D817,870	S *	5/2018	Yamamoto	D13/104
10,003,054	B2 *	6/2018	Tononishi	H01M 10/6555
10,135,048	B2 *	11/2018	Fujimoto	H01M 2/1252
2008/0050645	A1 *	2/2008	Kai	B60L 11/1861 429/61
2013/0183544	A1	7/2013	Yoshioka et al.	
2014/0141306	A1 *	5/2014	Kusunoki	H01M 2/1016 429/98
2014/0184898	A1 *	7/2014	Overliese	H01R 13/62905 348/372
2016/0036029	A1	2/2016	Tononishi	

* cited by examiner

Fig.1

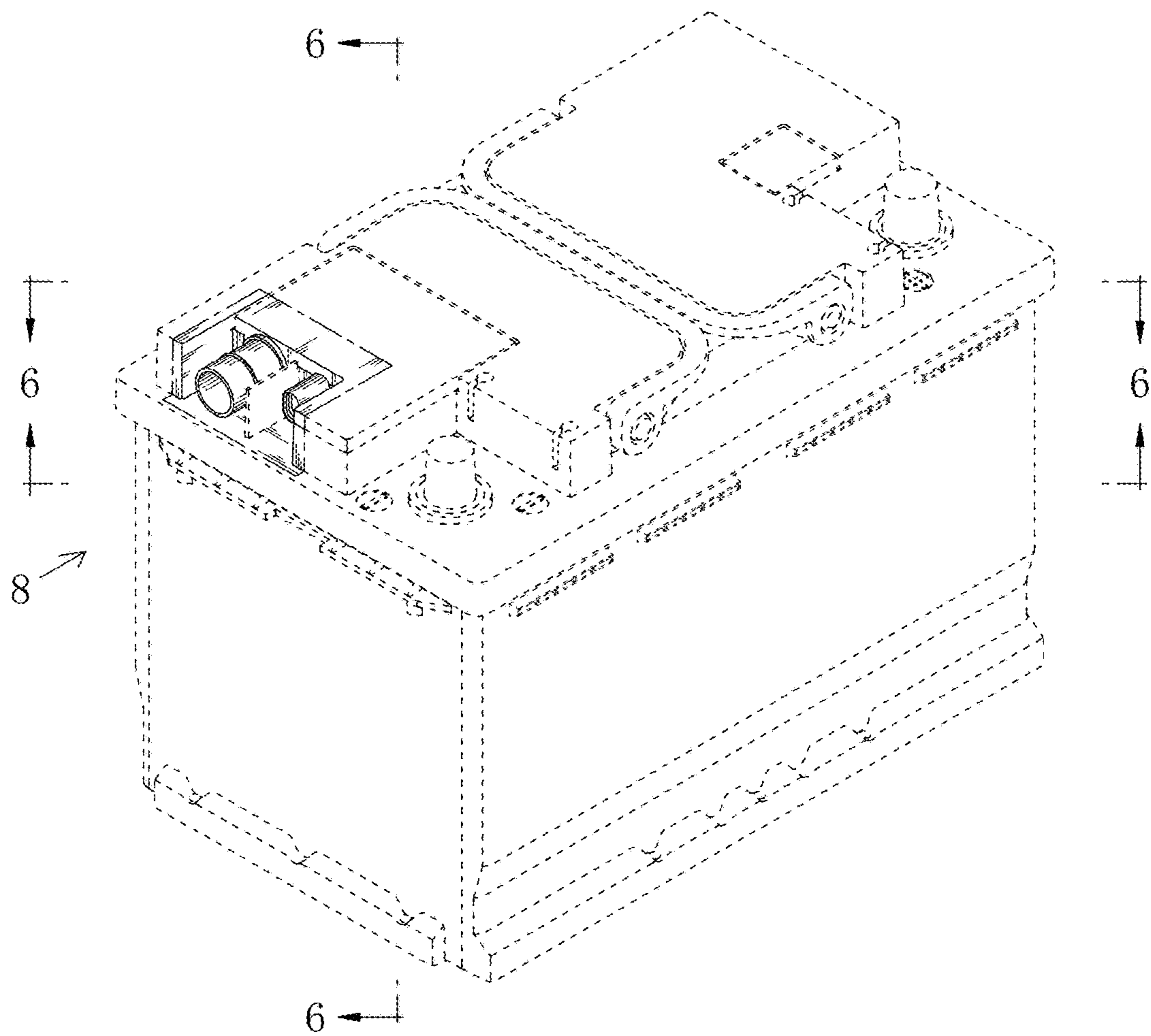


Fig.2

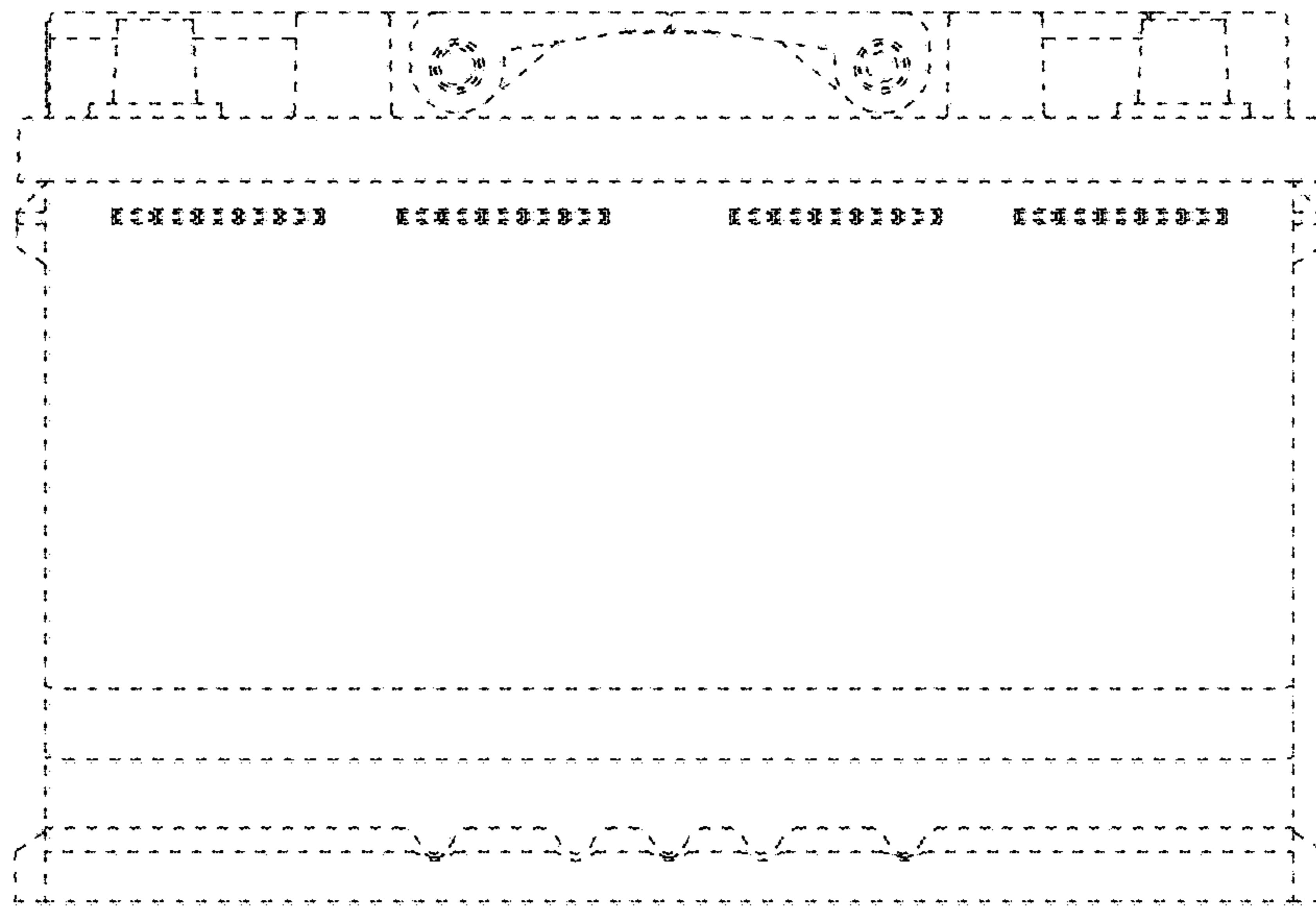


Fig.3

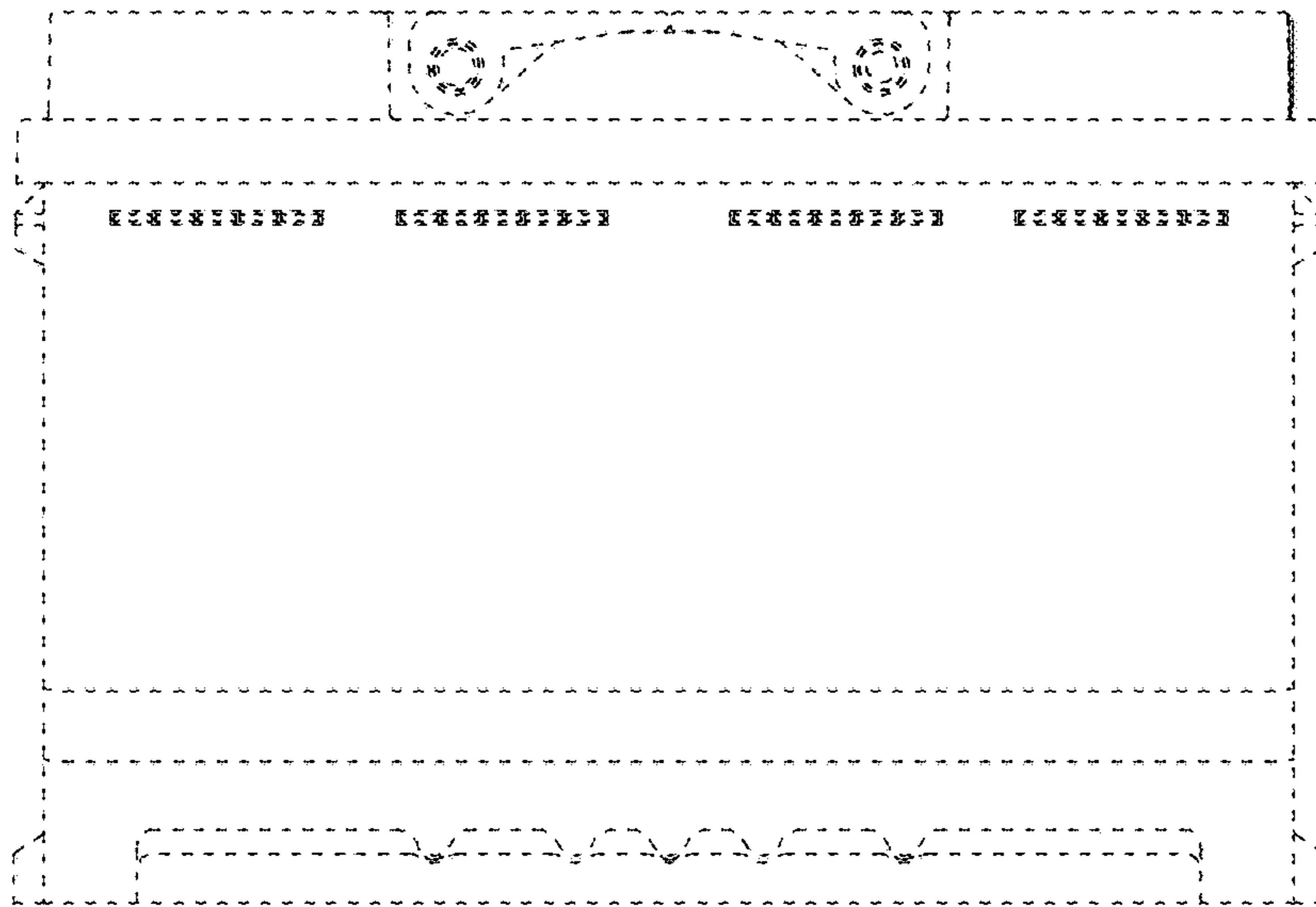


Fig.4

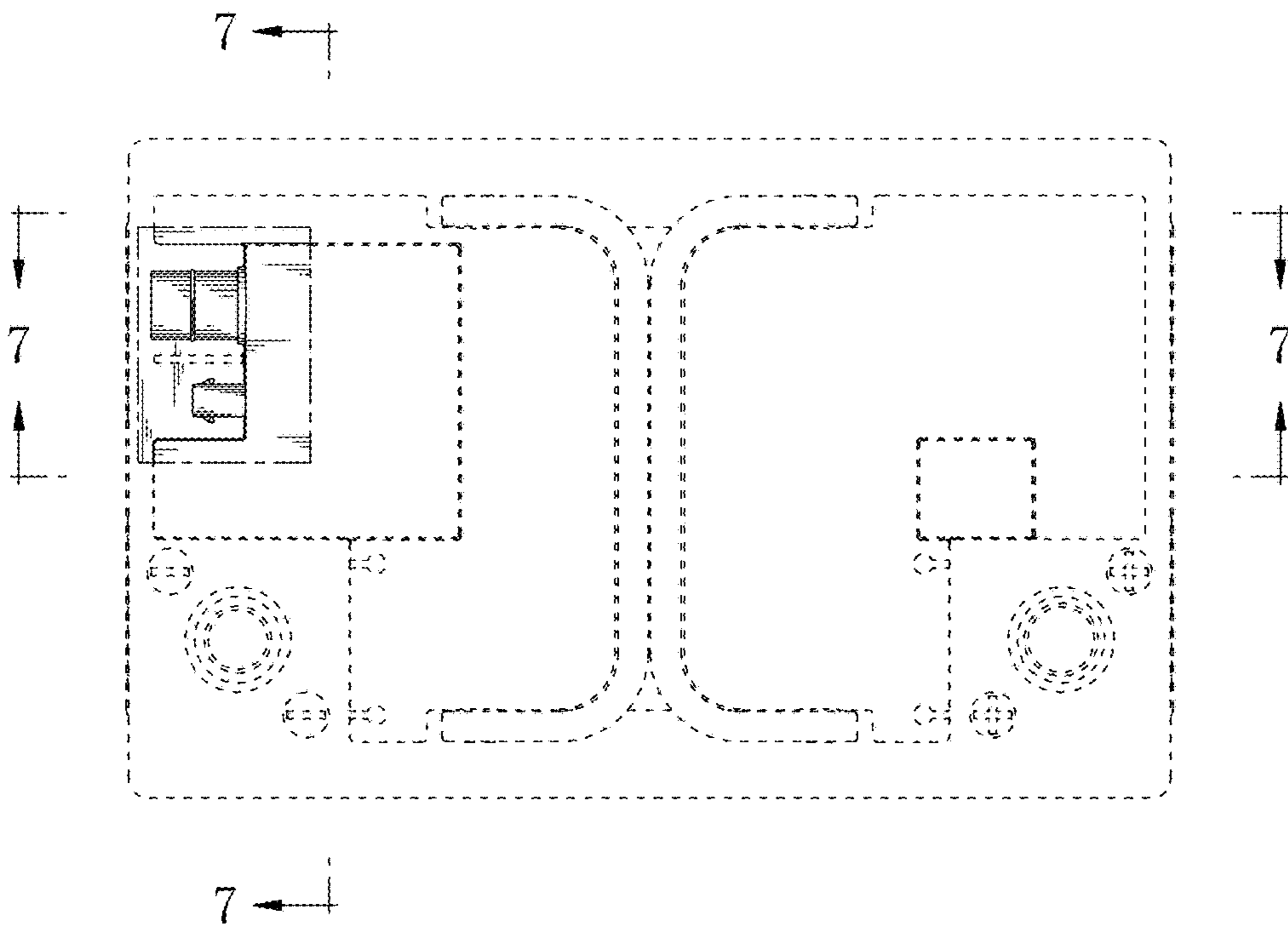


Fig.5

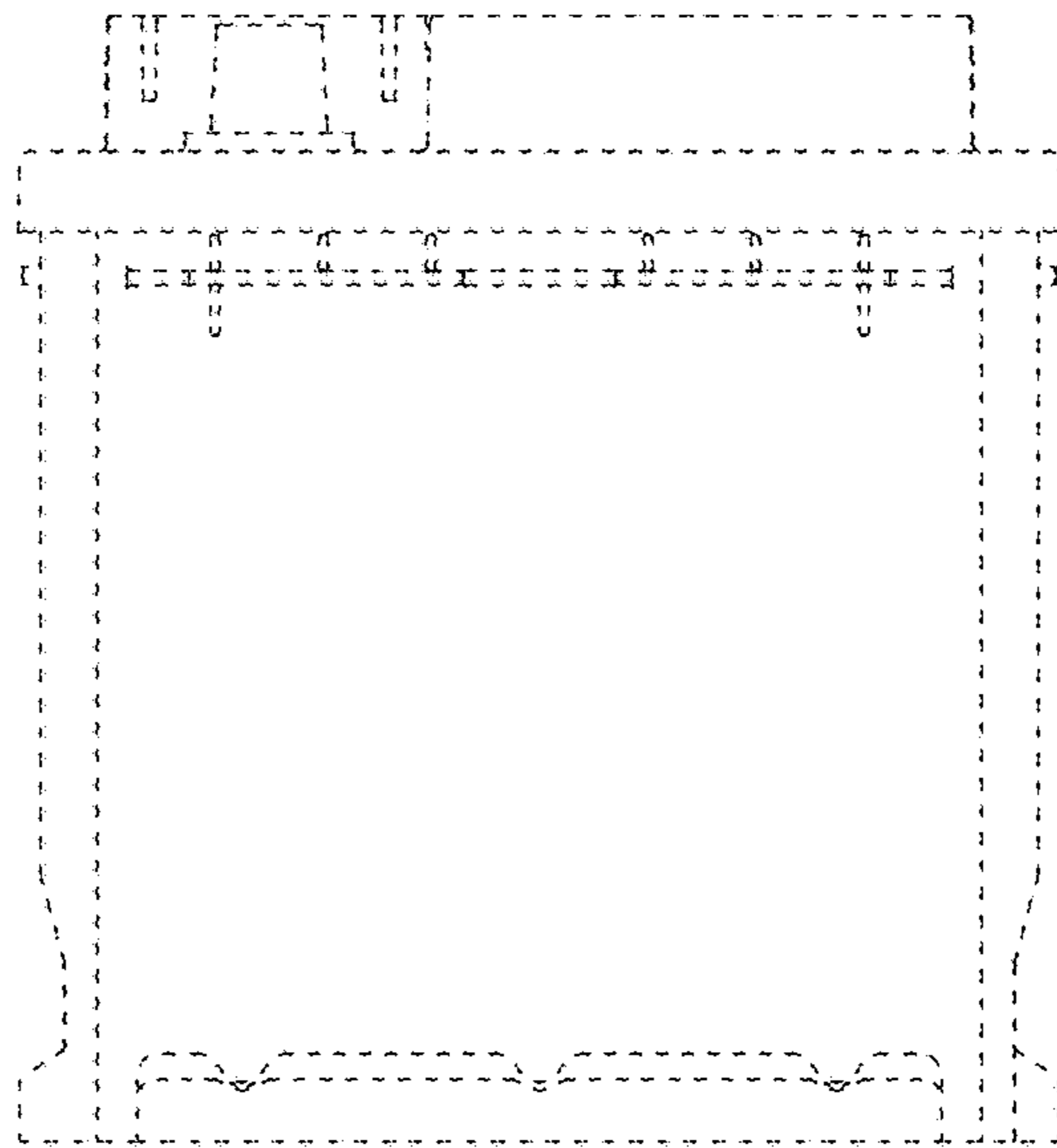


Fig.6

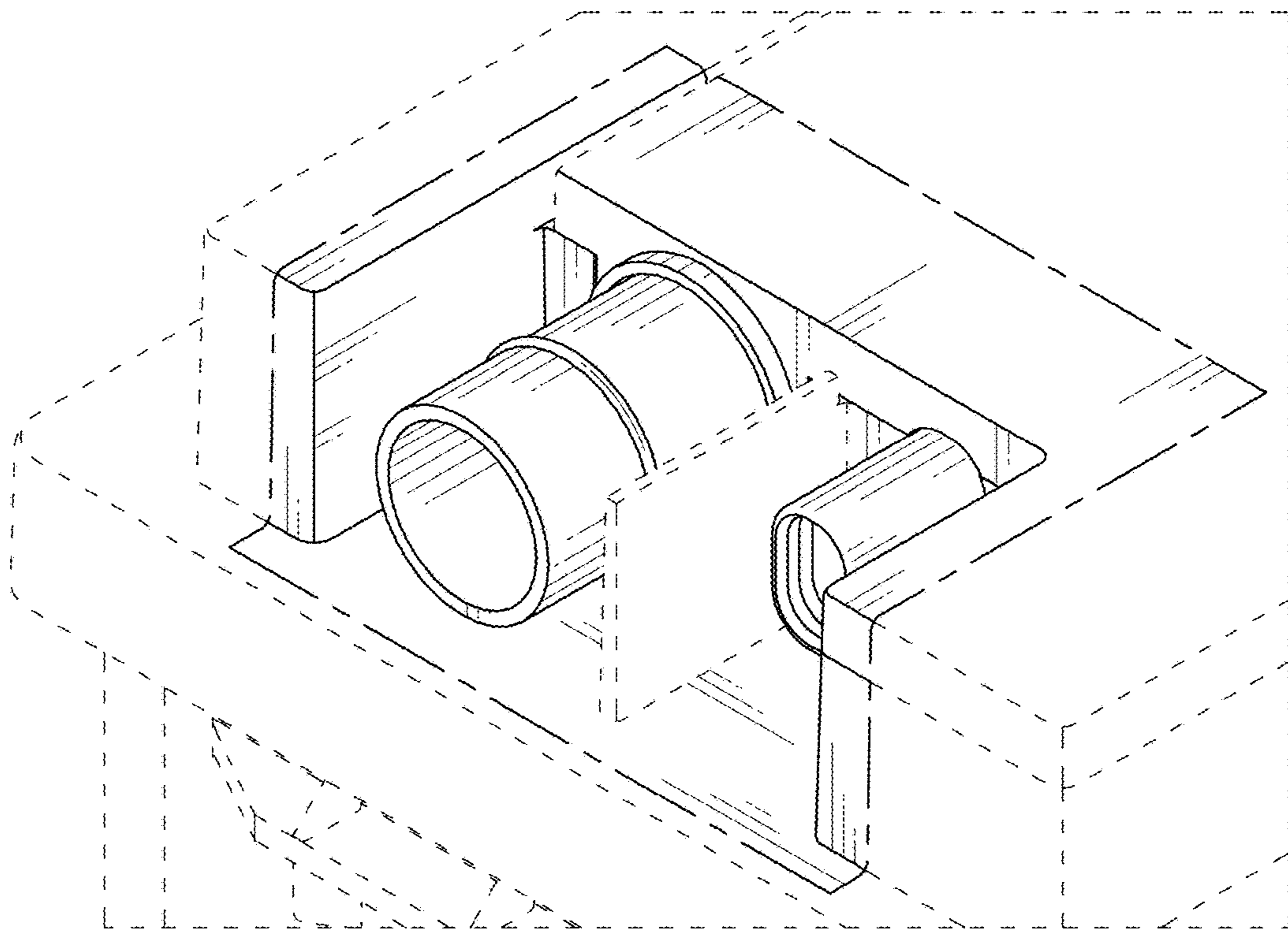


Fig.7

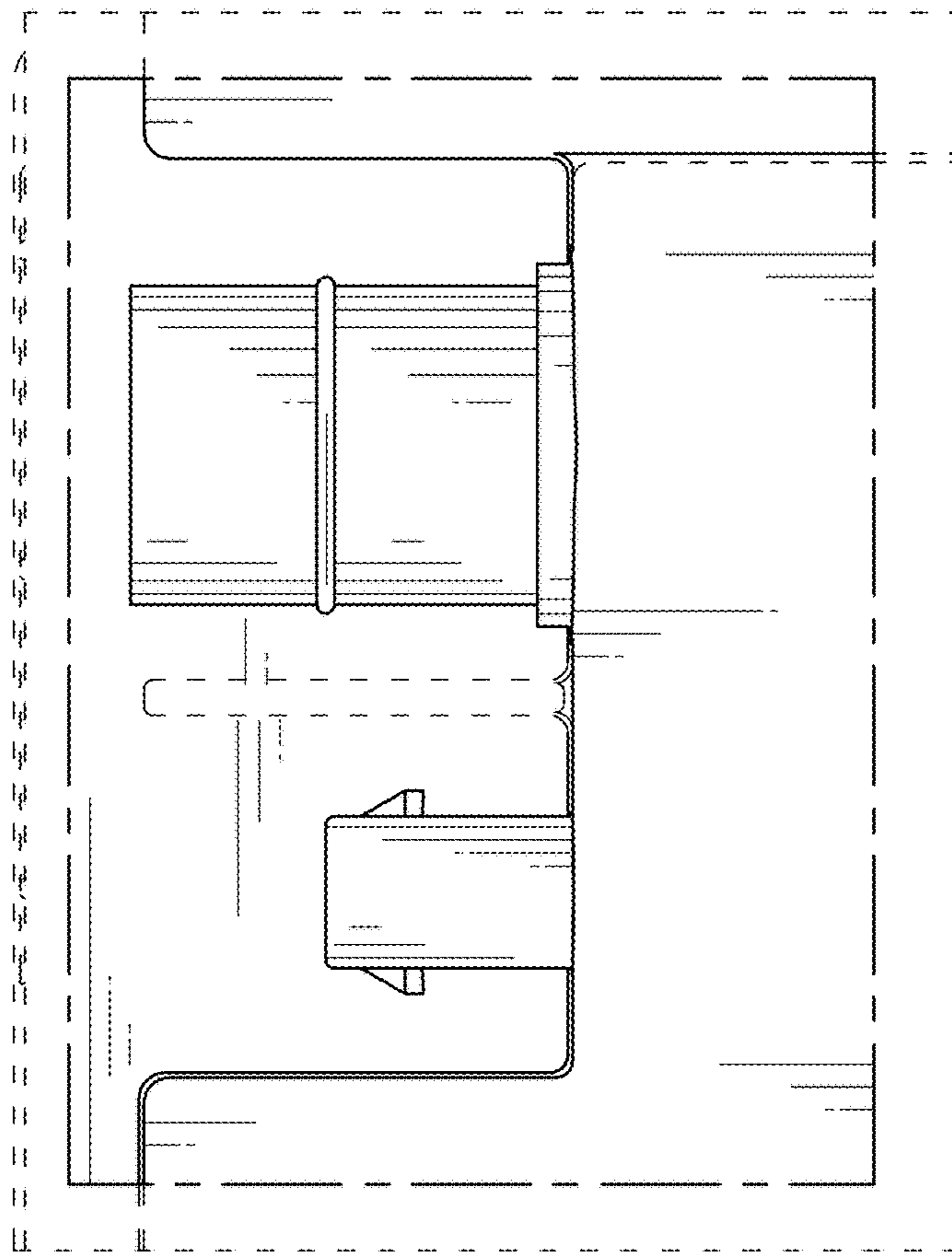


Fig. 8

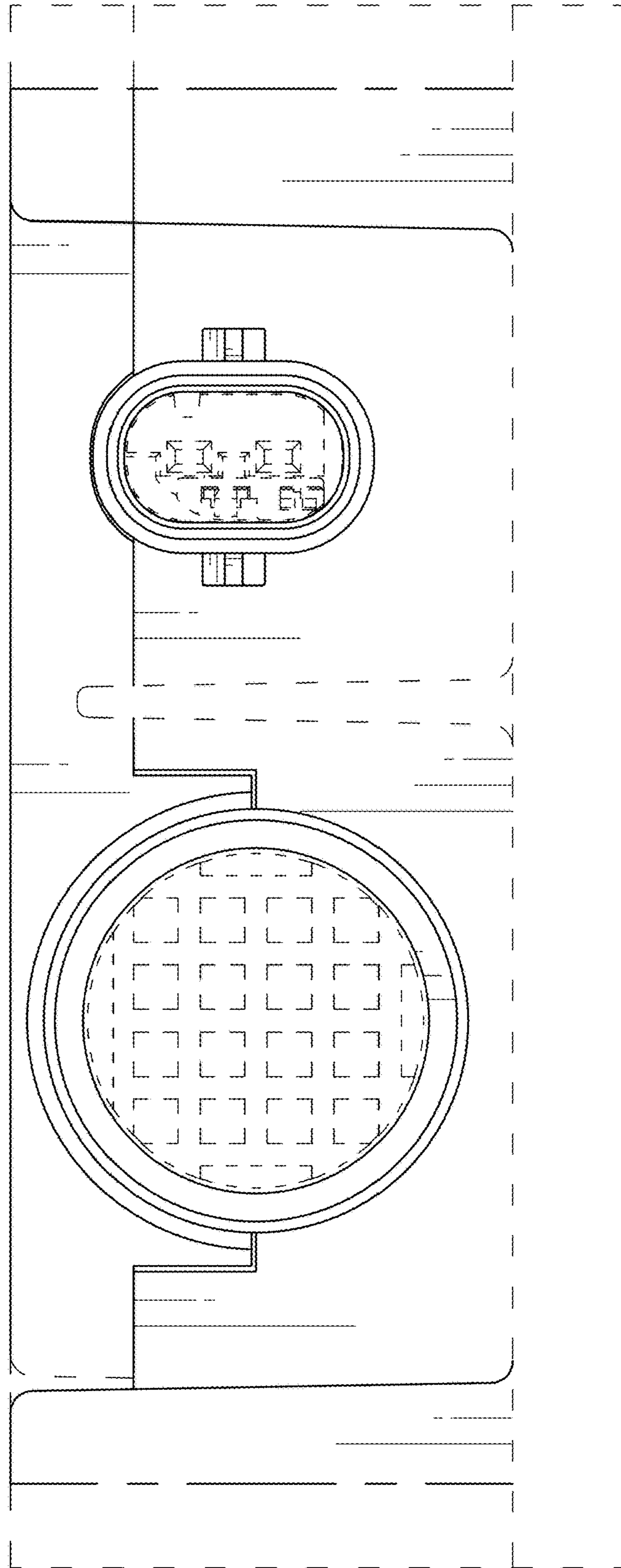


Fig.9

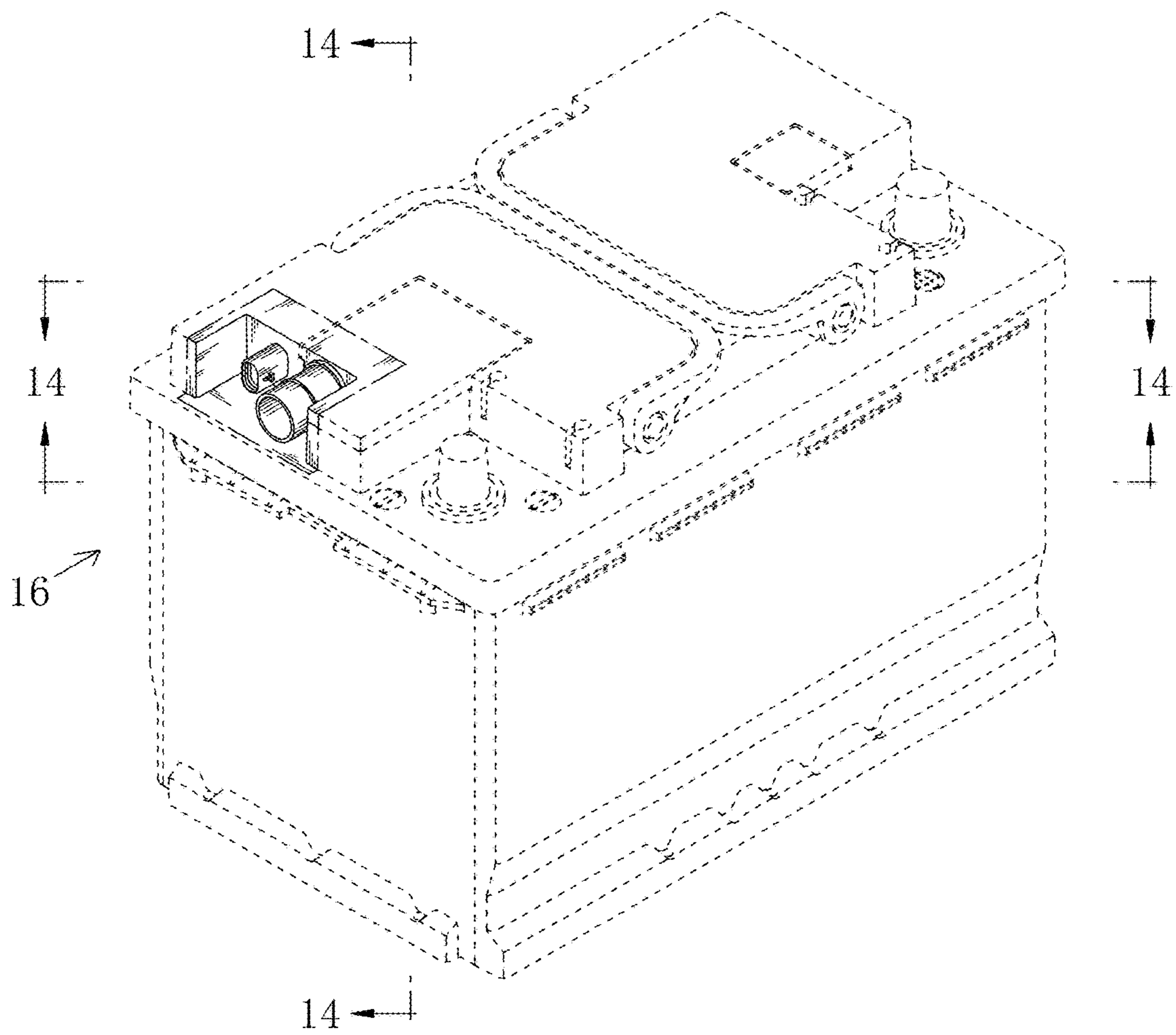


Fig.10

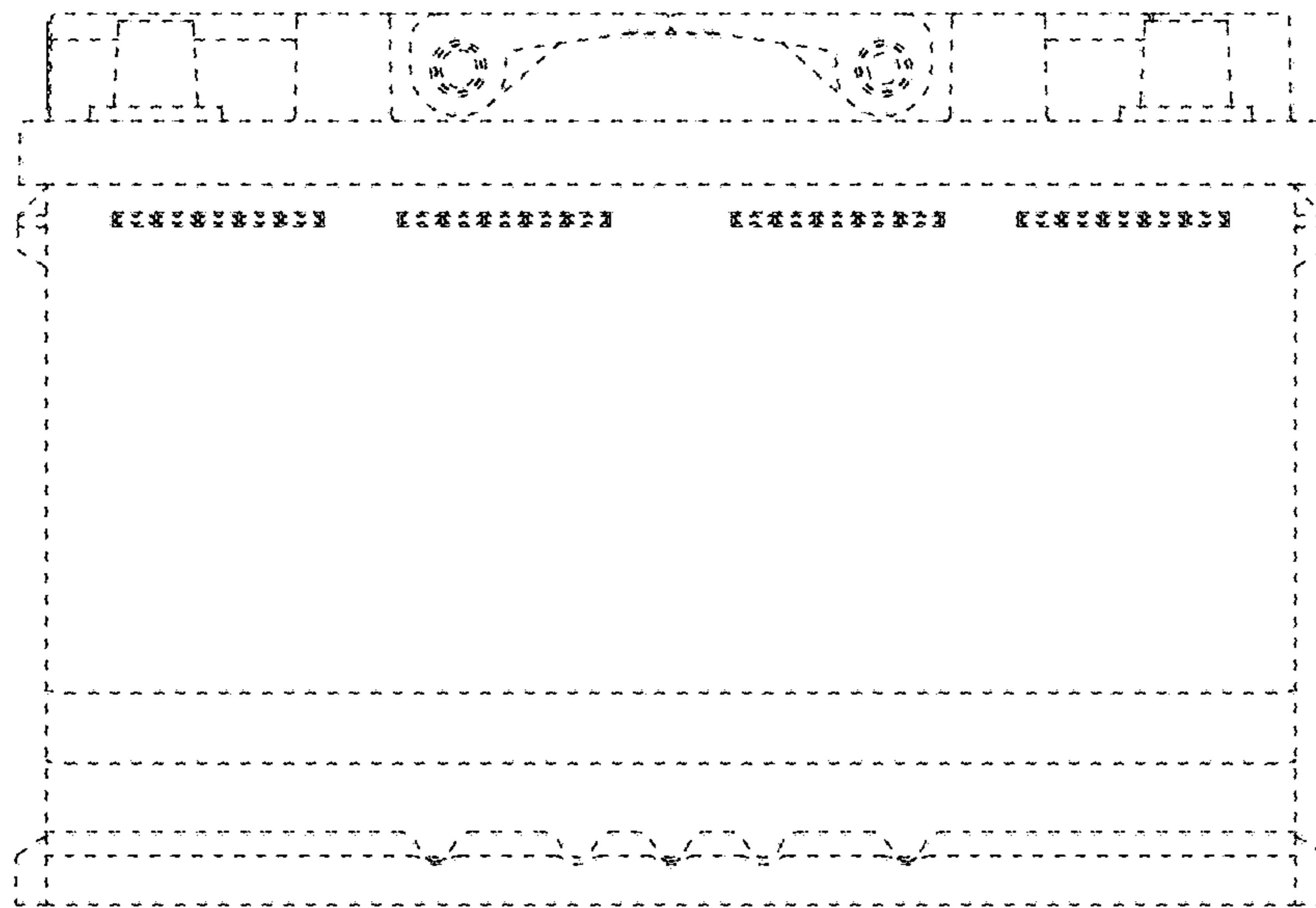


Fig.11

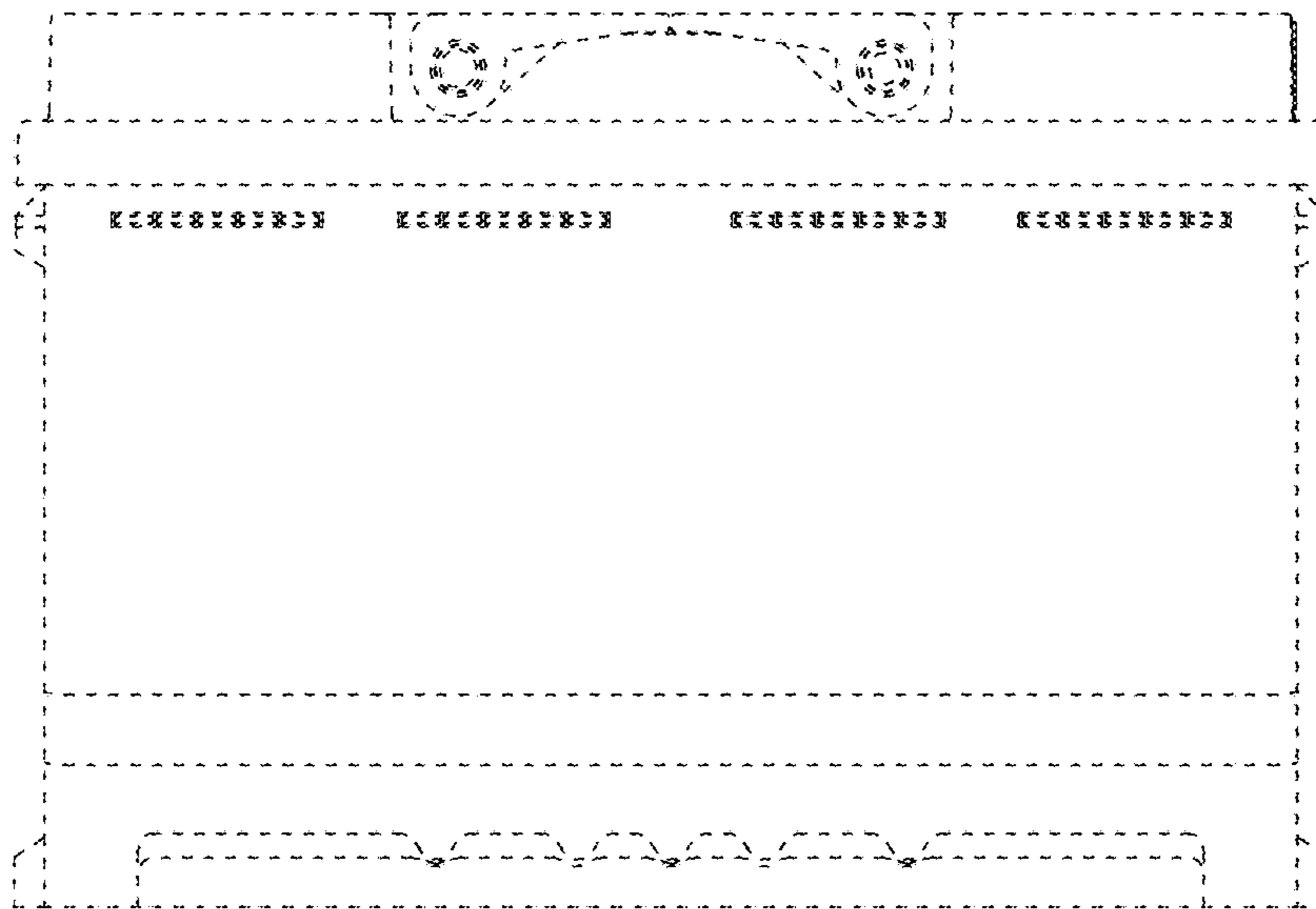


Fig.12

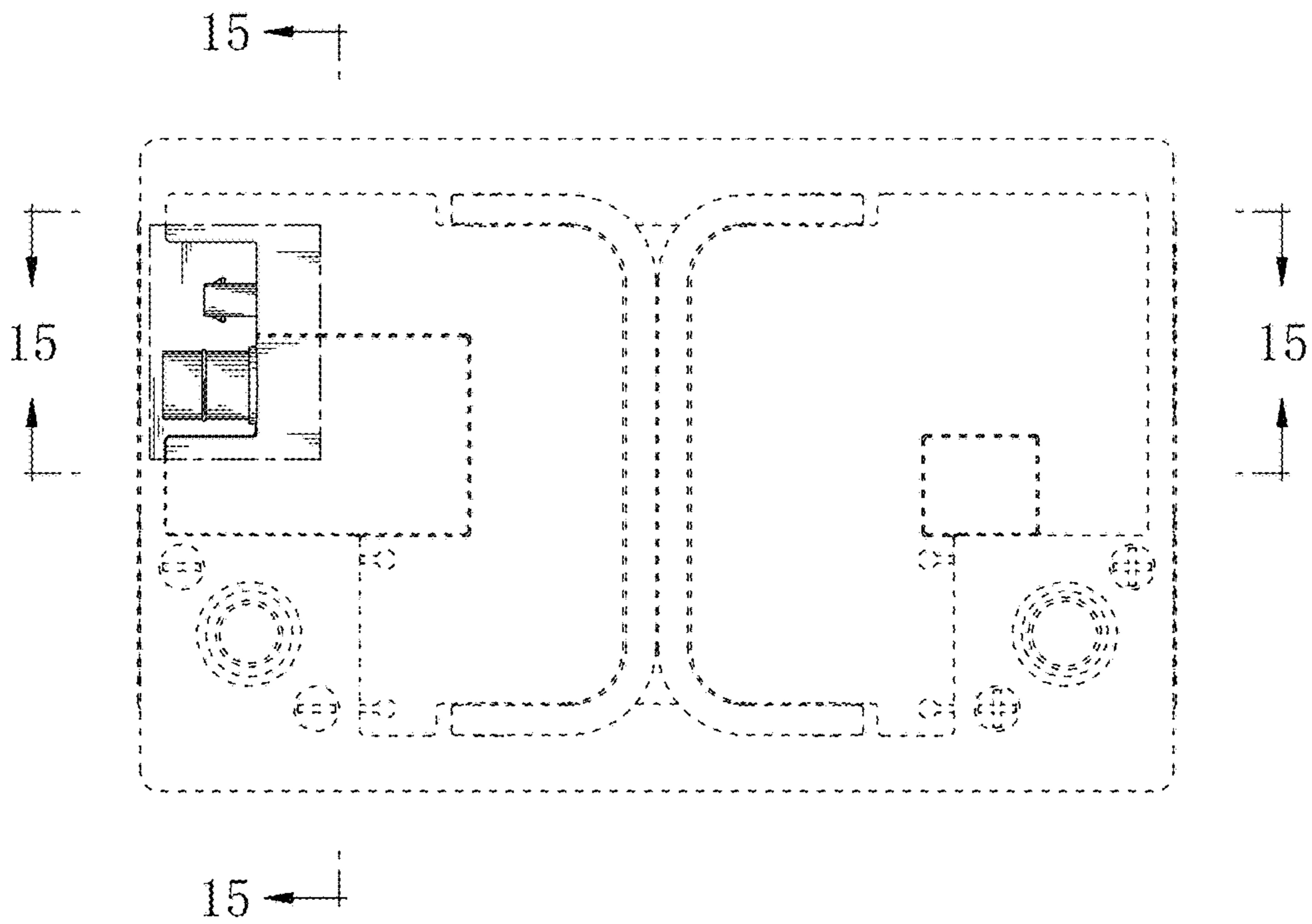


Fig.13

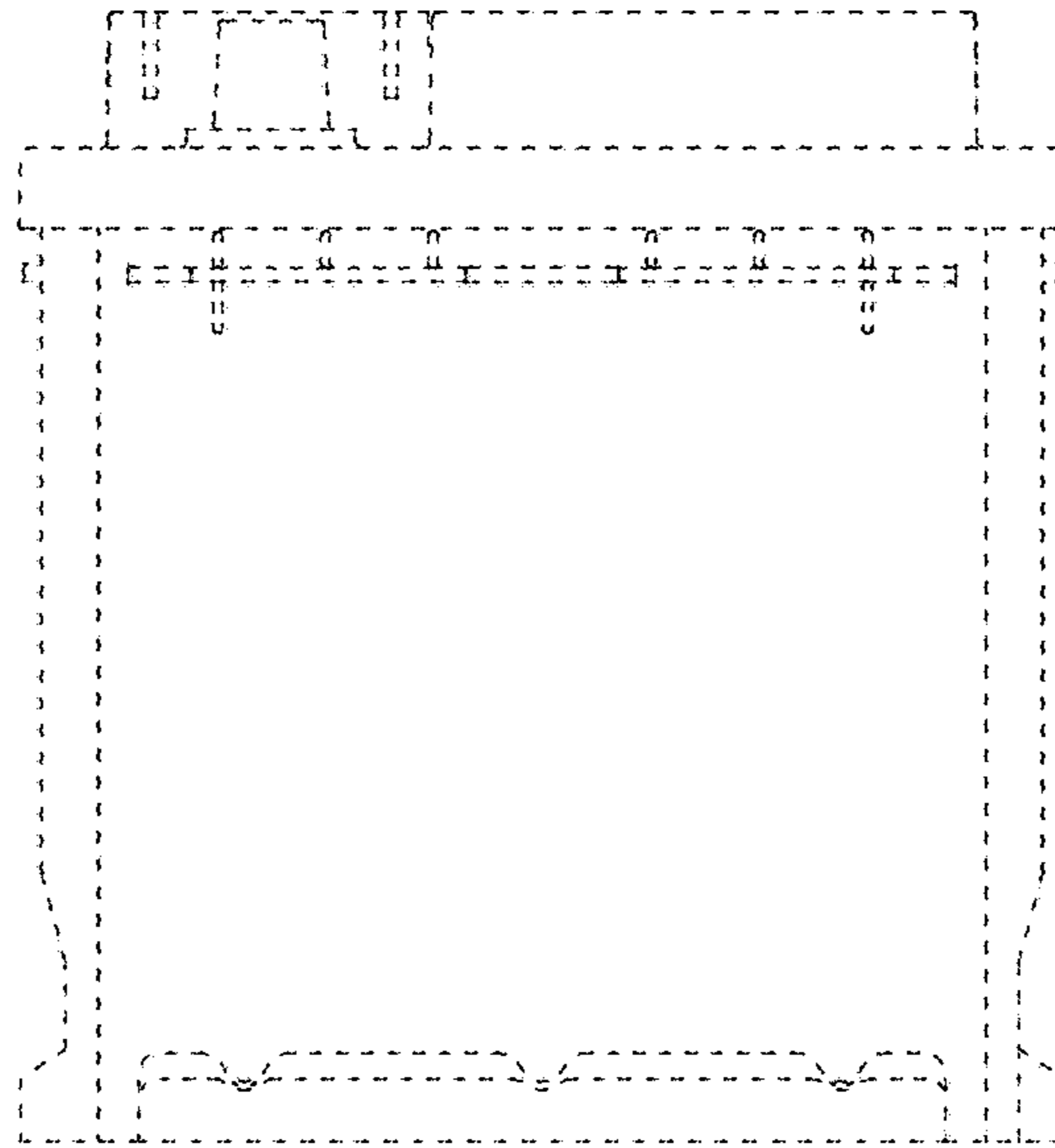


Fig.14

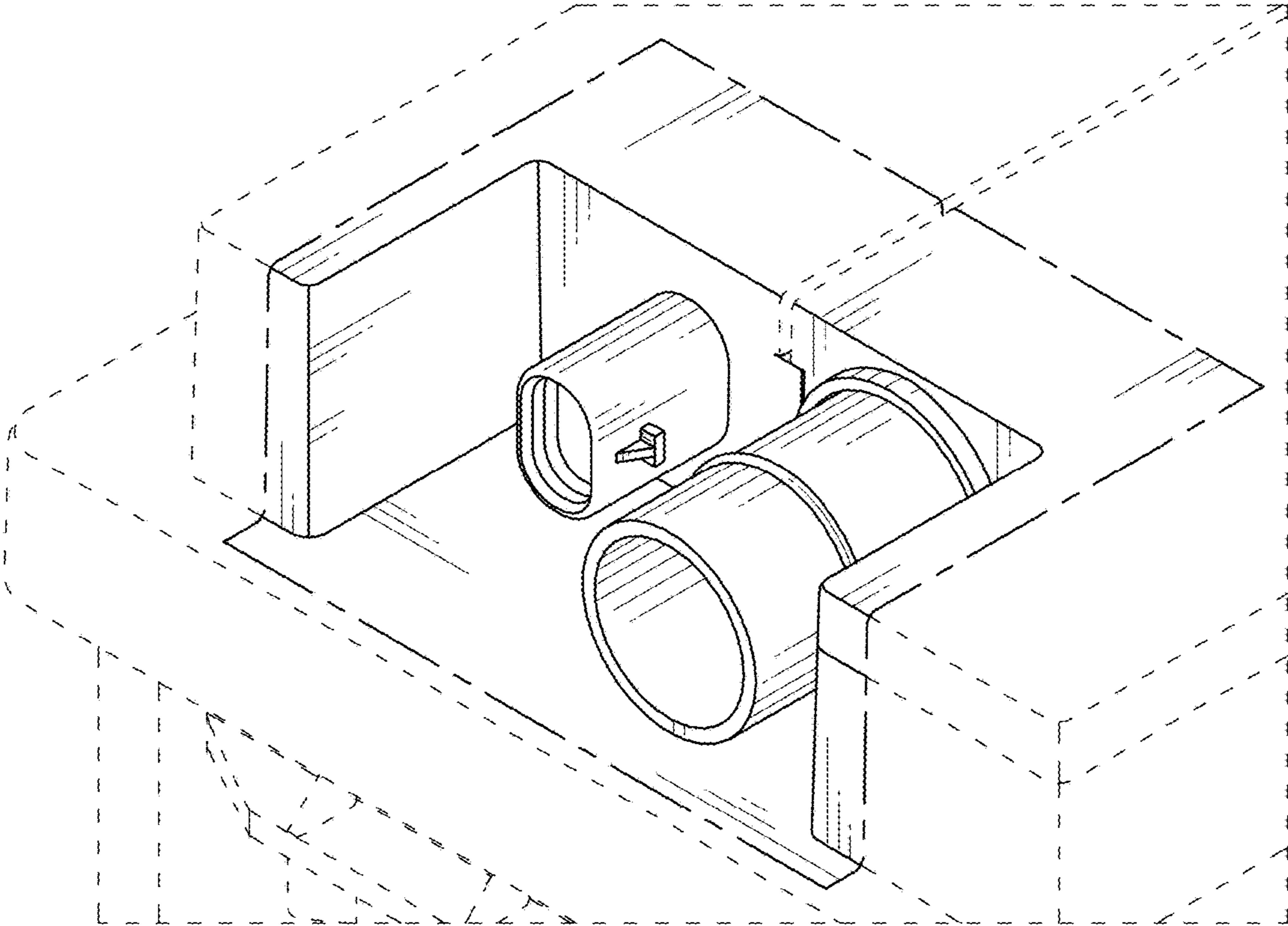


Fig.15

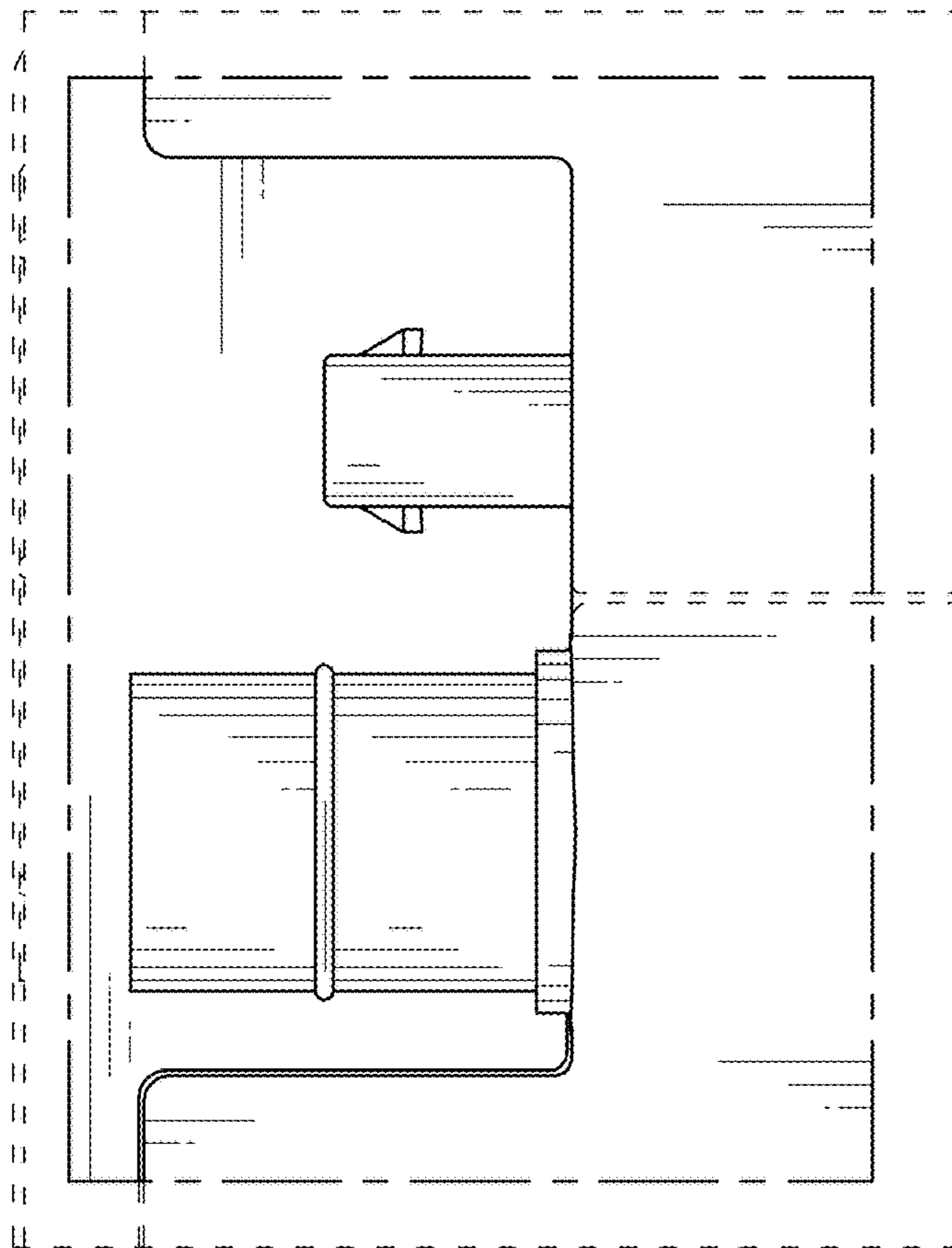


Fig. 16

