



US00D846492S

(12) **United States Design Patent** (10) **Patent No.:** **US D846,492 S**
Verleur et al. (45) **Date of Patent:** **** *Apr. 23, 2019**

(54) **BATTERY FOR A VAPORIZER**

(56)

References Cited

(71) Applicant: **VMR Products, LLC**, Miami, FL (US)

U.S. PATENT DOCUMENTS

(72) Inventors: **Jan Andries Verleur**, Miami, FL (US);
Dan Recio, Miami Beach, FL (US);
Yifeng Lu, Coral Gables, FL (US);
Yinjun Zhang, Miami, FL (US);
Arturo Fajardo, Frisco, TX (US);
Hans Verleur, El Dorado, CA (US);
Chris Cummings, Miami, FL (US)

1,446,087 A	2/1923	Griffin
2,057,353 A	10/1936	Whittemore, Jr.
2,545,851 A	3/1951	Kardos
3,060,429 A	10/1962	Winston
3,200,819 A	8/1965	Gilbert
3,203,025 A	8/1965	Schreur
3,400,998 A	9/1968	Daugherty et al.
3,479,561 A	11/1969	Janning
3,502,588 A	3/1970	Winberg
3,747,120 A	7/1973	Stemme
D248,047 S	5/1978	Rappoport
D251,072 S	2/1979	Stuetzer
4,207,457 A	6/1980	Haglund et al.
D257,519 S	11/1980	Plozner
D259,588 S	6/1981	Stutzer
D260,690 S	9/1981	Stutzer
D260,941 S	9/1981	Figur
4,569,136 A	2/1986	Loring
4,676,237 A	6/1987	Wood et al.
4,771,295 A	9/1988	Baker et al.
4,771,796 A	9/1988	Myer
4,797,692 A	1/1989	Ims
4,848,374 A	7/1989	Chard et al.
4,945,448 A	8/1990	Bremenour et al.
4,945,929 A	8/1990	Egilmex
4,972,855 A	11/1990	Kuriyama et al.
4,990,939 A	2/1991	Sekiya et al.
5,060,671 A	10/1991	Counts et al.
5,124,200 A	6/1992	Mallonee
5,144,962 A	9/1992	Counts et al.
5,224,265 A	7/1993	Dux et al.
5,327,915 A	7/1994	Porenski et al.
5,388,574 A	2/1995	Ingebretsen
5,505,214 A	4/1996	Collins et al.
D376,579 S	* 12/1996	Bunyea D13/103
5,646,666 A	7/1997	Cowger et al.
5,666,977 A	9/1997	Higgins et al.
5,703,633 A	12/1997	Gehrer et al.
5,743,251 A	4/1998	Howell et al.
5,819,756 A	10/1998	Mielordt
5,894,841 A	4/1999	Voges
5,996,589 A	12/1999	St. Charles
6,062,213 A	5/2000	Fuisz et al.
D433,532 S	11/2000	Higgins et al.
6,155,268 A	12/2000	Takeuchi
6,196,218 B1	3/2001	Voges
D439,878 S	4/2001	Ark et al.
6,234,167 B1	5/2001	Cox et al.
6,471,782 B1	10/2002	Fang et al.

(73) Assignee: **VMR Products, LLC**, Miami, FL (US)

(*) Notice: This patent is subject to a terminal disclaimer.

(**) Term: **15 Years**

(21) Appl. No.: **29/603,186**

(22) Filed: **May 8, 2017**

Related U.S. Application Data

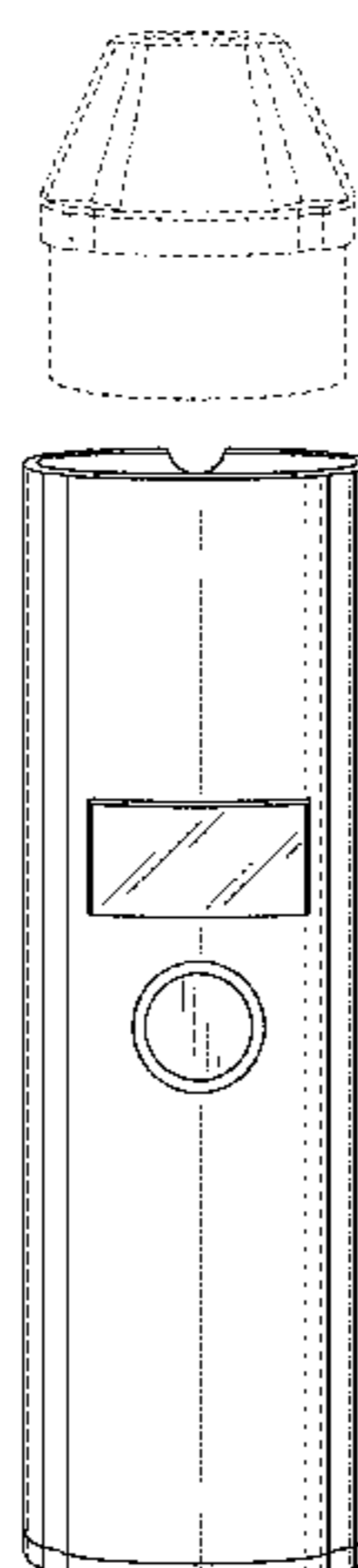
(60) Division of application No. 29/508,616, filed on Nov. 7, 2014, now Pat. No. Des. 788,697, which is a continuation-in-part of application No. 14/196,729, filed on Mar. 4, 2014.

(51) **LOC (11) Cl.** **13-02**

(52) **U.S. Cl.**
USPC **D13/103; D27/101**

(58) **Field of Classification Search**
USPC D13/102-108, 110, 118-119, 184, 199;
D27/101, 167, 193, 194
CPC Y02E 60/12; Y02E 60/122; Y02E 60/124;
Y02E 60/50; H01M 2/02; H01M 2/022;
H01M 2/0202; H01M 2/0207; H01M
2/0212; H01M 2/1061; H01M 2/1022;
H01M 2/1055; H01M 2/1066; H01M
2/105; H01M 2/204; H01M 10/4257;
H01M 10/0436; H01M 10/48

See application file for complete search history.



6,501,052 B2 12/2002 Cox et al.
 6,598,607 B2 7/2003 Adiga et al.
 6,620,659 B2 9/2003 Emma et al.
 6,701,921 B2 3/2004 Sprinkel, Jr. et al.
 6,719,443 B2 4/2004 Gutstein et al.
 6,722,763 B1 4/2004 Hsu et al.
 7,059,307 B2 6/2006 Pellizzari et al.
 D531,180 S 10/2006 Goto
 7,143,766 B2 12/2006 Schuster et al.
 D598,374 S * 8/2009 Sasada D13/108
 D623,589 S 9/2010 Tarter et al.
 D624,238 S 9/2010 Turner
 D642,330 S 7/2011 Turner
 D644,375 S 8/2011 Zhou
 D645,816 S * 9/2011 Sasada D13/108
 D664,498 S * 7/2012 Liu D13/103
 D675,777 S 2/2013 Wu
 8,365,742 B2 2/2013 Hon
 8,375,957 B2 2/2013 Hon
 8,393,331 B2 3/2013 Hon
 8,490,628 B2 7/2013 Hon
 D688,415 S 8/2013 Kim
 D693,053 S 11/2013 Chen
 D693,765 S 11/2013 Workman et al.
 D695,450 S 12/2013 Benassayag et al.
 D700,138 S 2/2014 Walz et al.
 D702,876 S 4/2014 Liu
 D704,634 S 5/2014 Eidelman et al.
 D713,335 S 9/2014 Mao
 D716,729 S 11/2014 Kelly et al.
 D718,492 S 11/2014 Albanese
 D720,094 S 12/2014 Alima
 D720,095 S 12/2014 Alima
 D720,291 S * 12/2014 Liu D13/119
 D720,496 S 12/2014 Alima
 D720,497 S * 12/2014 Alima D27/101
 D720,881 S 1/2015 Liu
 D720,882 S 1/2015 Albanese
 D720,883 S 1/2015 Albanese
 D721,202 S 1/2015 Liu
 D722,166 S 2/2015 Buehl et al.
 D722,956 S * 2/2015 Alima D13/103
 8,955,522 B1 2/2015 Bowen et al.
 D724,263 S 3/2015 Malhi
 D724,782 S 3/2015 Wu
 D725,310 S 3/2015 Eksouzian
 D726,364 S 4/2015 Weigensberg
 D727,562 S 4/2015 Li
 D729,441 S 5/2015 Hua
 D730,282 S 5/2015 Miller et al.
 D730,286 S * 5/2015 Liu D13/119
 9,038,642 B2 5/2015 Liu
 D731,112 S 6/2015 Li
 D732,733 S 6/2015 Spagnolo et al.
 D733,050 S 6/2015 Chiang
 D735,661 S 8/2015 Miller et al.
 D751,978 S 3/2016 Hong et al.
 D752,278 S * 3/2016 Verleur D13/103
 D753,873 S 4/2016 Schuessler
 D765,594 S * 9/2016 Li D13/103
 D769,520 S * 10/2016 Hua D27/167
 D773,116 S * 11/2016 Liu D27/167
 D775,414 S * 12/2016 Ampolini D13/108
 D778,831 S * 2/2017 Chen D13/108
 D785,237 S * 4/2017 Wu D27/167
 D785,859 S * 5/2017 Pang D27/101
 D787,114 S * 5/2017 Scott D27/194
 D787,443 S * 5/2017 Chiang D13/110
 D788,362 S * 5/2017 Qiu D27/101
 D788,697 S * 6/2017 Verleur D13/103
 D800,058 S * 10/2017 Qiu D13/103
 D805,470 S * 12/2017 Qiu D13/103
 D807,286 S * 1/2018 Qiu D13/103
 2005/0017685 A1 1/2005 Rees et al.
 2006/0093977 A1 5/2006 Pellizzari et al.
 2008/0257367 A1 10/2008 Paterno et al.
 2010/0313901 A1 12/2010 Fernando et al.
 2011/0220234 A1 9/2011 Haas
 2012/0318882 A1 12/2012 Abehasera

2013/0042865 A1 2/2013 Monsees et al.
 2013/0152922 A1 6/2013 Benassayag et al.
 2013/0180533 A1 7/2013 Kim et al.
 2013/0192617 A1 8/2013 Thompson
 2013/0199528 A1 8/2013 Goodman et al.
 2013/0213420 A1 8/2013 Hon
 2013/0220315 A1 8/2013 Conley et al.
 2013/0284190 A1 10/2013 Scatterday et al.
 2013/0298905 A1 11/2013 Levin et al.
 2014/0034070 A1 2/2014 Schennum
 2014/0041655 A1 2/2014 Barron et al.
 2014/0261499 A1 9/2014 Hon
 2015/0027467 A1 1/2015 Liu
 2015/0027471 A1 1/2015 Feldman et al.
 2015/0090253 A1 4/2015 Farrow
 2015/0091501 A1 4/2015 Claudepierre
 2015/0296889 A1 10/2015 Liu

FOREIGN PATENT DOCUMENTS

CA 2 846 286 A1 4/2013
 CN 1233436 A 11/1999
 CN 201018927 Y 2/2008
 CN 203087525 U 7/2013
 CN 203182012 U 9/2013
 EP 0 358 114 A2 3/1990
 EP 0 533 599 A1 3/1993
 EP 0 845 220 A1 6/1998
 EP 2 654 471 B1 10/2013
 KR 101 011 453 B1 1/2011
 WO 98/17131 A1 4/1998
 WO 02/098390 A2 12/2002
 WO 03/000324 A1 1/2003
 WO 03/034847 A1 5/2003
 WO 2007/078273 A1 7/2007
 WO 2012/072762 A1 6/2012
 WO 2013/034453 A1 3/2013
 WO 2013/093695 A1 6/2013
 WO 2013/116567 A1 8/2013
 WO 2013/155645 A1 10/2013
 WO 2013/159245 A1 10/2013
 WO 2014/008646 A1 1/2014

OTHER PUBLICATIONS

Andrus et al., "Nicotine microaerosol inhaler", Canadian Respiratory Journal, Nov./Dec. 1999, pp. 509-512, Vo. 6, No. 620130192617.
 "What is a MOSFET, what does it look like, and how does it work?" dated May 24, 2004, printed from the Internet Archive, i.e., the Wayback machine, which was archived on Mar. 5, 2010 ("TechPowerUp").
 "What is a MOSFET, what does it look like, and how does it work?" dated May 24, 2004, printed from the Internet Archive, i.e., the Wayback machine, which was archived on Jul. 20, 2011 ("TechPowerUp").
 European Patent Office Search Report dated Oct. 12, 2015 for EP Application No. 14159710.4, filed Mar. 14, 2014.
 European Patent Office, Partial European Search Report dated Oct. 13, 2015 for EP Application No. 14159709.6, filed Mar. 14, 2014.

* cited by examiner

Primary Examiner — Rosemary K Tarcza
 (74) Attorney, Agent, or Firm — Hillyer Legal

(57) CLAIM

The ornamental design for a battery for a vaporizer, as shown and described.

DESCRIPTION

FIG. 1 is a front perspective view of a battery for a vaporizer, shown in an environment of use.

FIG. 2 is a front view of the battery for a vaporizer of FIG. 1;

FIG. 3 is a side view of the battery for a vaporizer of FIG. 1;

FIG. 4 is a rear view of the battery for a vaporizer of FIG. 1;

FIG. 5 is a top view of the battery for a vaporizer of FIG. 1;

and,

FIG. 6 is a bottom view of the battery for a vaporizer of FIG. 1.

The broken lines shown in the drawings are included for the purpose of illustrating environmental structure and form no part of the claimed design.

1 Claim, 1 Drawing Sheet

FIG. 1

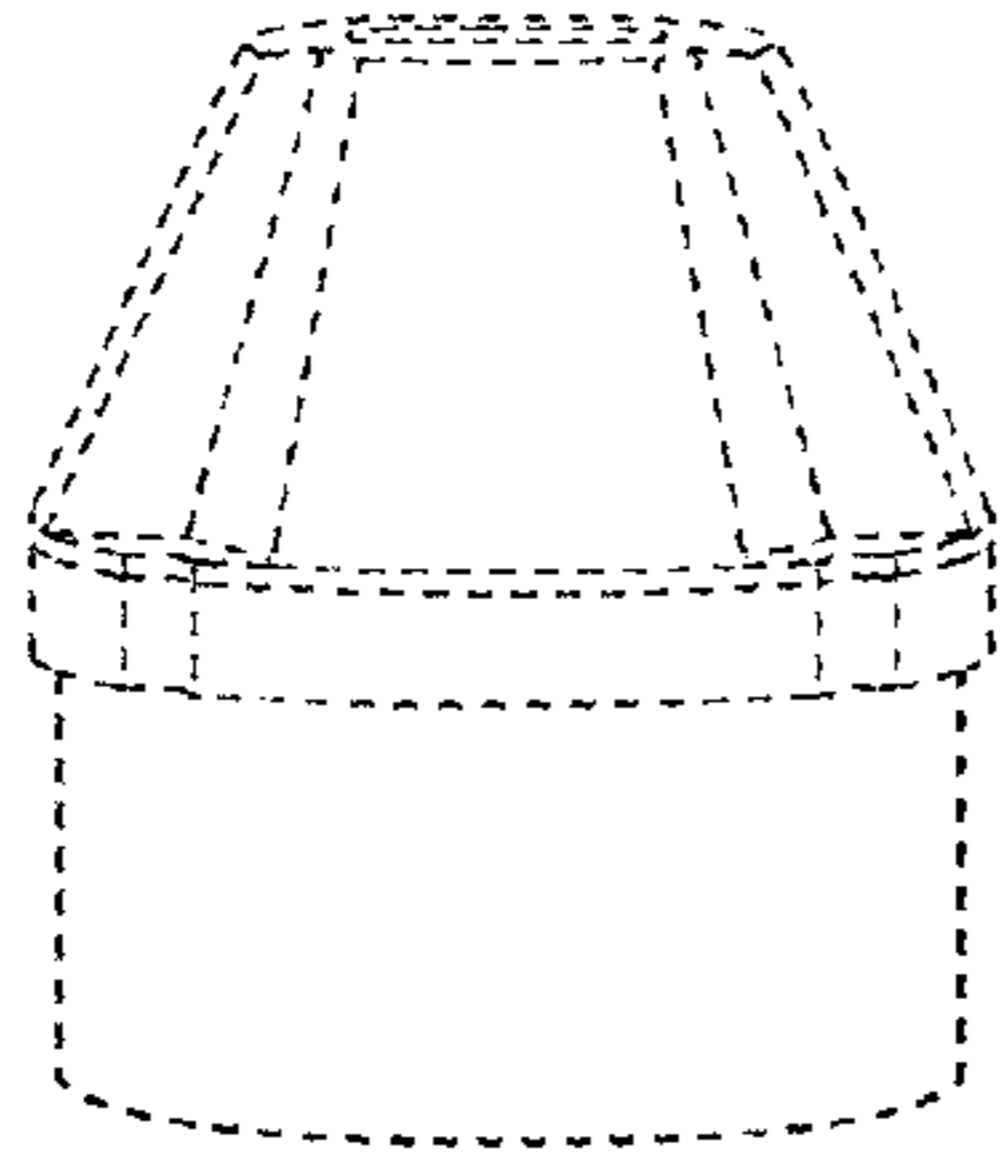


FIG. 2

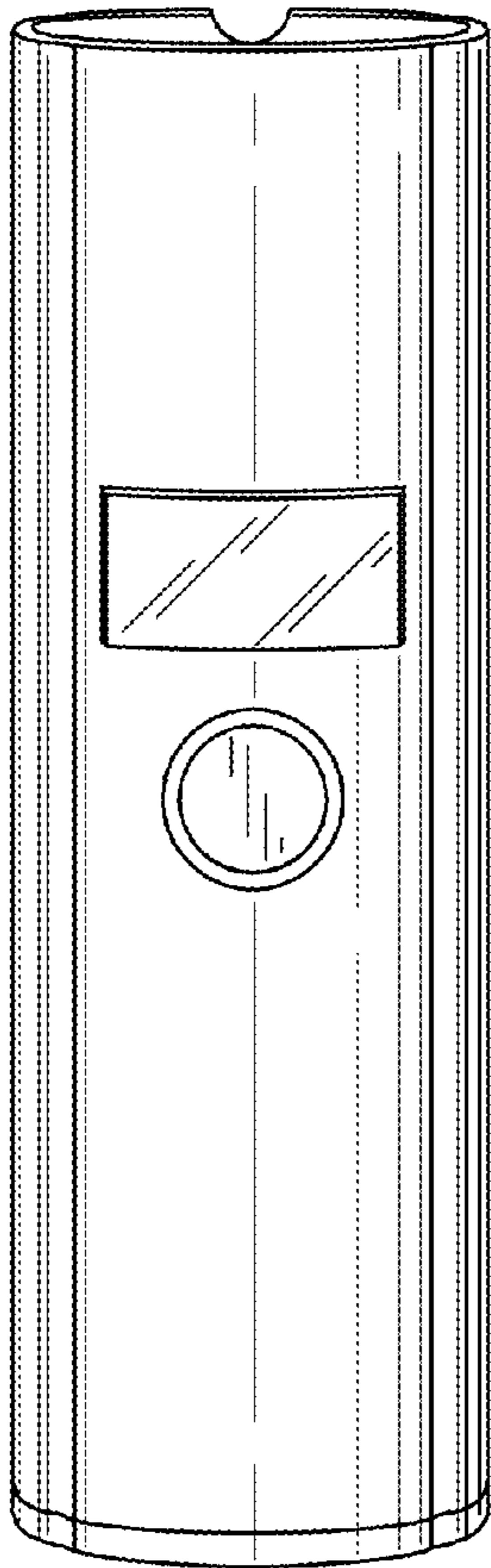


FIG. 3

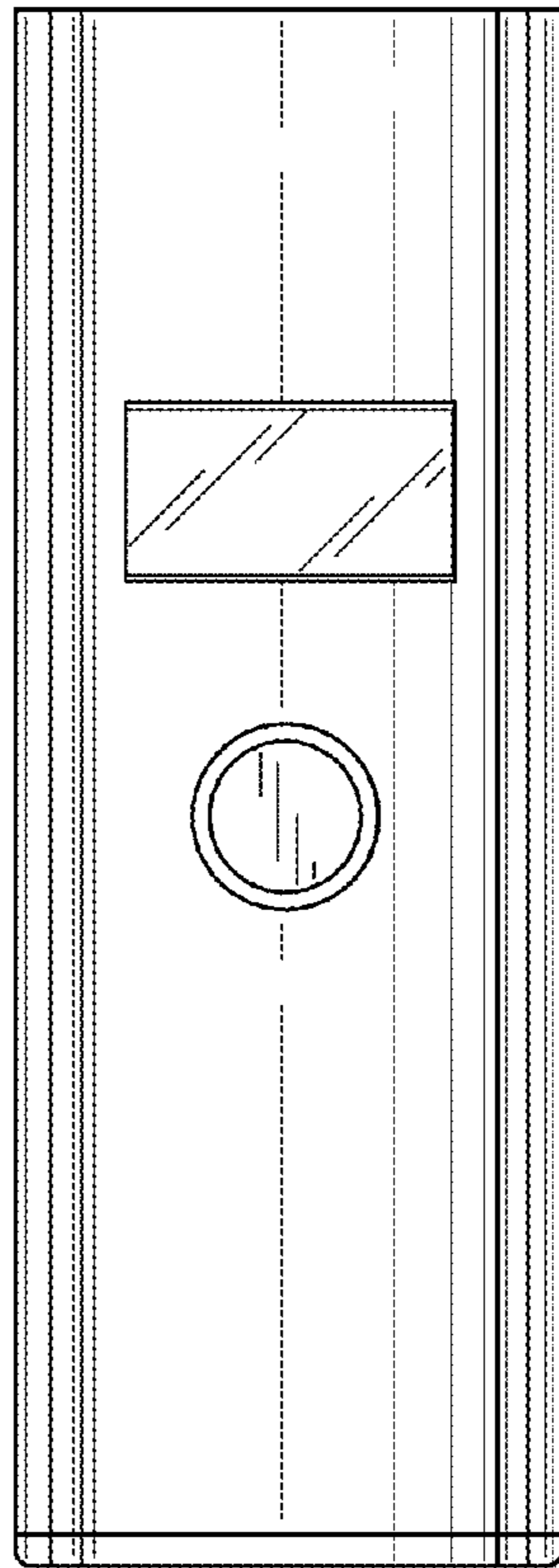


FIG. 4

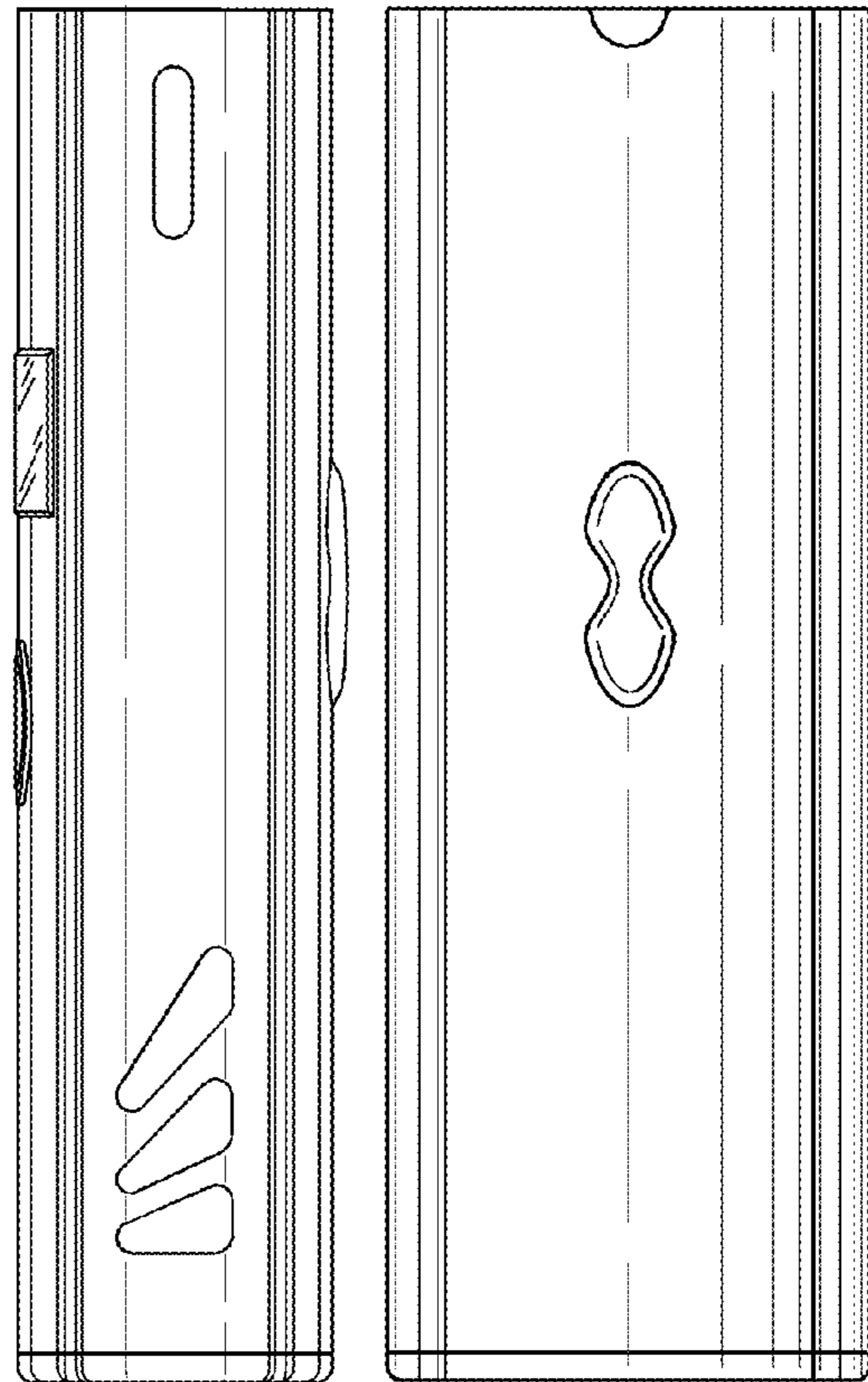


FIG. 5

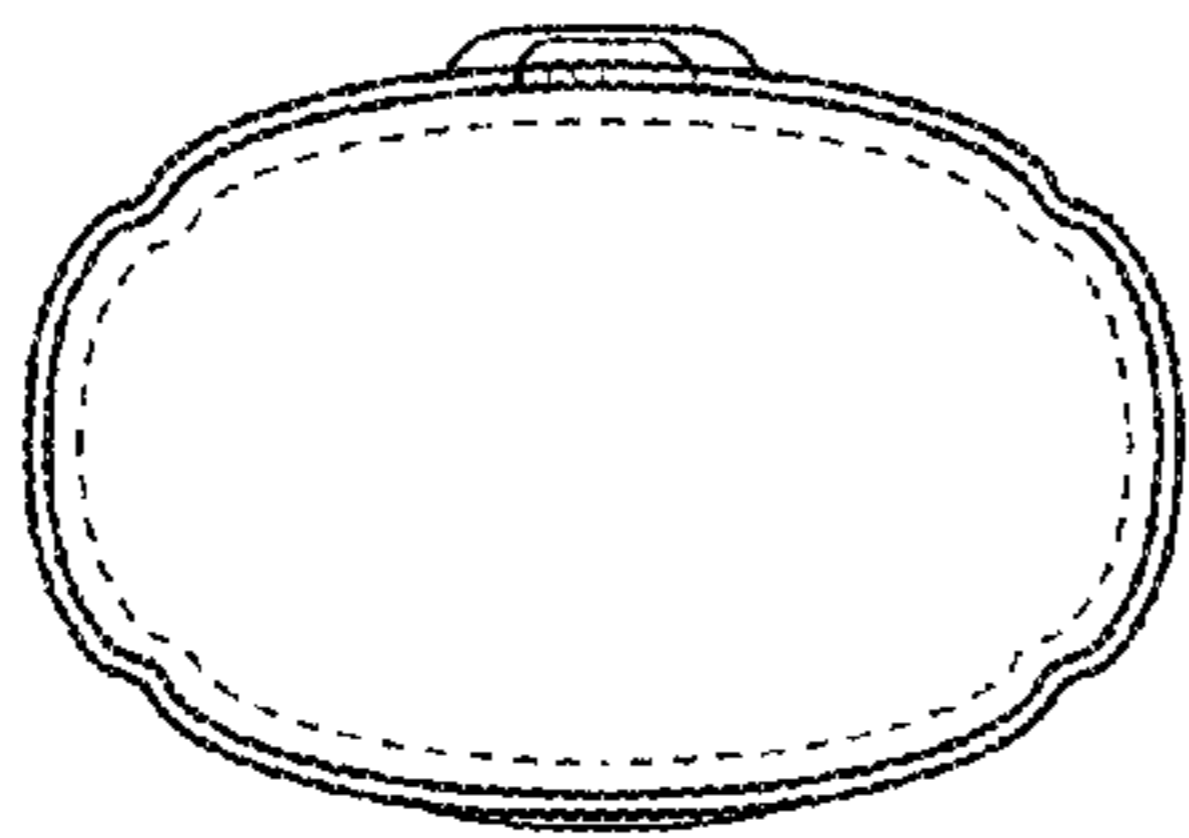


FIG. 6

