



US00D846482S

(12) **United States Design Patent**  
**Wu**

(10) **Patent No.:** **US D846,482 S**

(45) **Date of Patent:** **\*\* Apr. 23, 2019**

(54) **IN-CAR STORAGE BOX**

(71) Applicant: **Shenzhen WJM Silicone & Plastic Electronic Co., Ltd**, Shenzhen (CN)

(72) Inventor: **Minling Wu**, Shenzhen (CN)

(73) Assignee: **Shenzhen WJM Silicone & Plastic Electronic Co., Ltd**, Shenzhen (CN)

(\*\*) Term: **15 Years**

(21) Appl. No.: **29/615,422**

(22) Filed: **Aug. 29, 2017**

(51) **LOC (11) Cl.** ..... **12-16**

(52) **U.S. Cl.**  
USPC ..... **D12/425**

(58) **Field of Classification Search**  
USPC ..... D12/415–419, 191, 106, 96, 400, 195,  
D12/345, 99; 296/37.1, 37.8, 70, 24.1,  
296/24.2, 24.3, 137.1, 97.1, 97.2, 97.4,  
296/97.5, 97.6, 97.7, 97.8, 180; 312/246;  
224/311, 539, 281, 275; D8/354;  
D14/451–452; 248/278.1, 274.1, 284.1;  
D3/319; 160/370.21, 370.23, 370.22  
CPC .... B60R 5/00; B60R 5/04; B60R 7/00; B60R  
7/02; A47G 29/00; A47B 88/00; A47B  
88/04; A47B 88/20

See application file for complete search history.

(56) **References Cited**

U.S. PATENT DOCUMENTS

|              |         |            |       |           |
|--------------|---------|------------|-------|-----------|
| D258,709 S * | 3/1981  | Litchfield | ..... | D6/705    |
| D329,999 S * | 10/1992 | Vourakes   | ..... | D12/169   |
| D436,342 S * | 1/2001  | Lopez      | ..... | D12/414.1 |
| D539,036 S * | 3/2007  | Potts      | ..... | D12/425   |
| D684,402 S * | 6/2013  | Gasser     | ..... | D6/705    |
| D755,706 S * | 5/2016  | Roach      | ..... | D12/414.1 |
| D818,420 S * | 5/2018  | Roach      | ..... | D12/414.1 |
| D821,959 S * | 7/2018  | Baker      | ..... | D12/425   |

\* cited by examiner

*Primary Examiner* — Abraham Bahta

(74) *Attorney, Agent, or Firm* — JiangIP LLC; Yanling Jiang

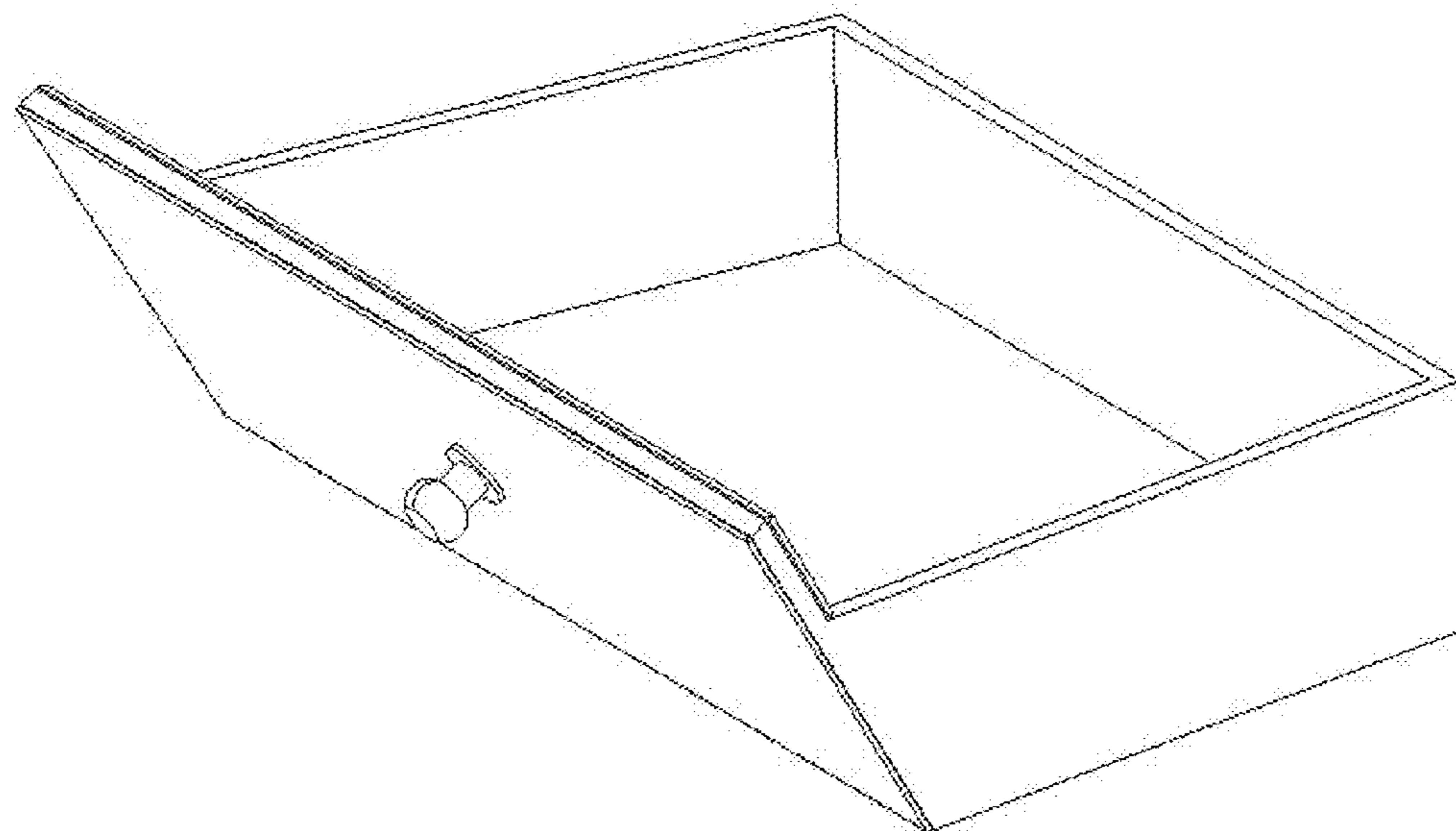
(57) **CLAIM**

The ornamental design for an in-car storage box, as shown and described.

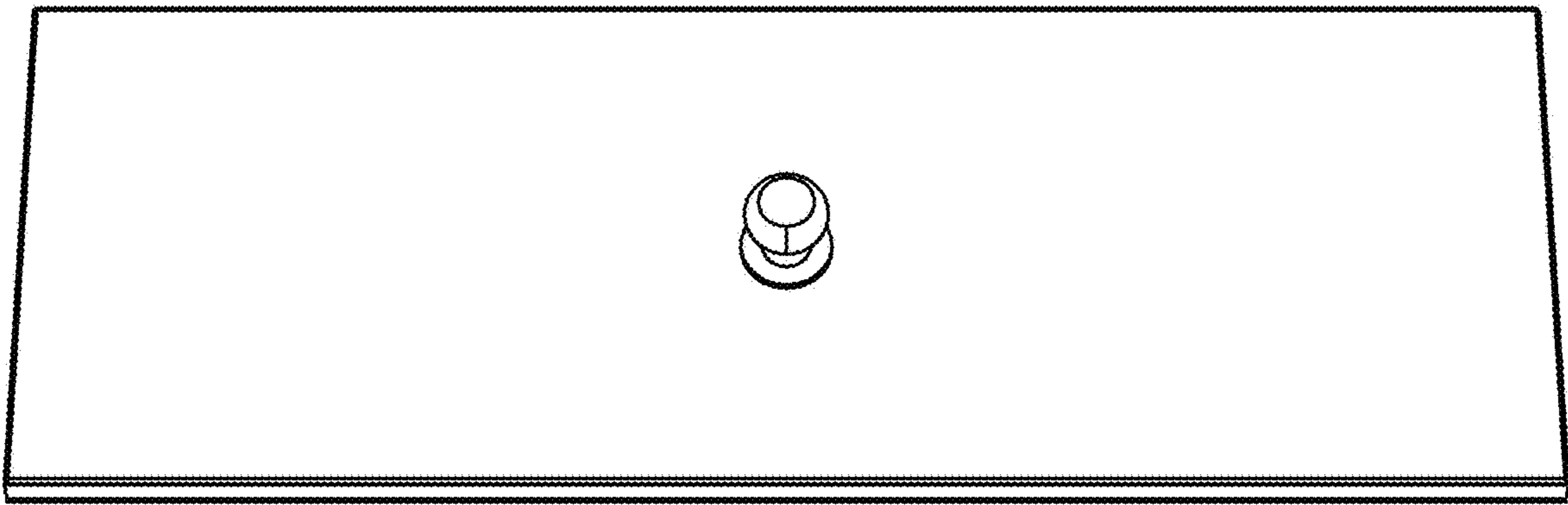
**DESCRIPTION**

FIG. 1 is a front view of an in-car storage box.  
FIG. 2 is a rear view of an in-car storage box.  
FIG. 3 is a top view of an in-car storage box.  
FIG. 4 is a bottom view of an in-car storage box.  
FIG. 5 is a side view of an in-car storage box.  
FIG. 6 is a side view of an in-car storage box; and,  
FIG. 7 is a perspective view showing an in-car storage box.

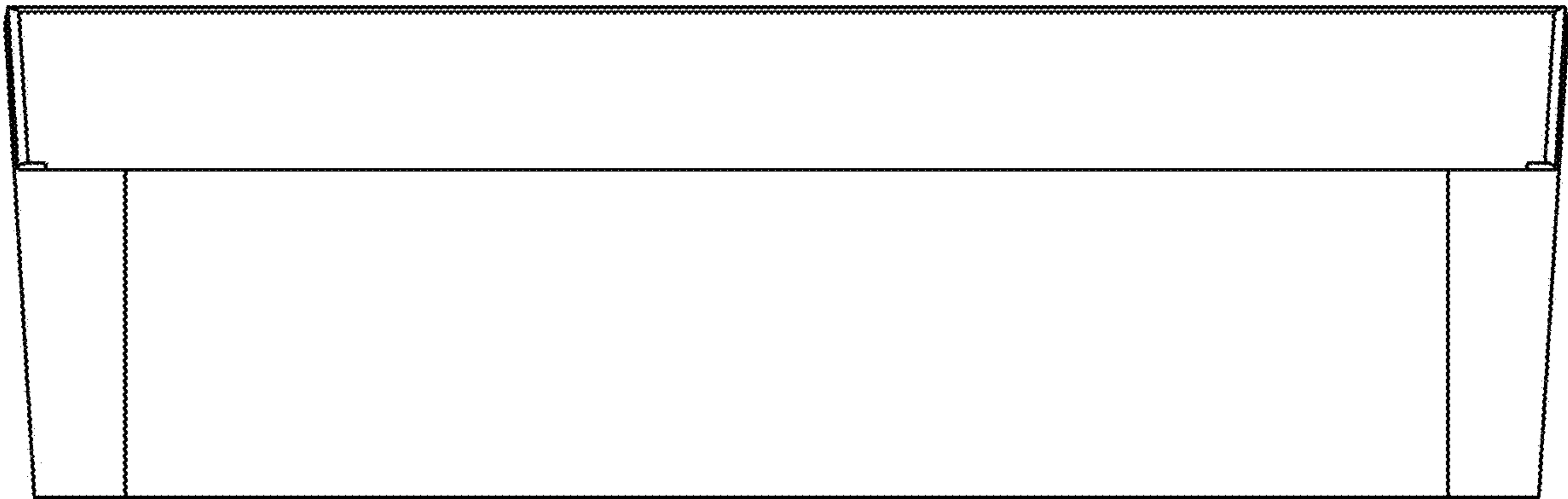
**1 Claim, 7 Drawing Sheets**



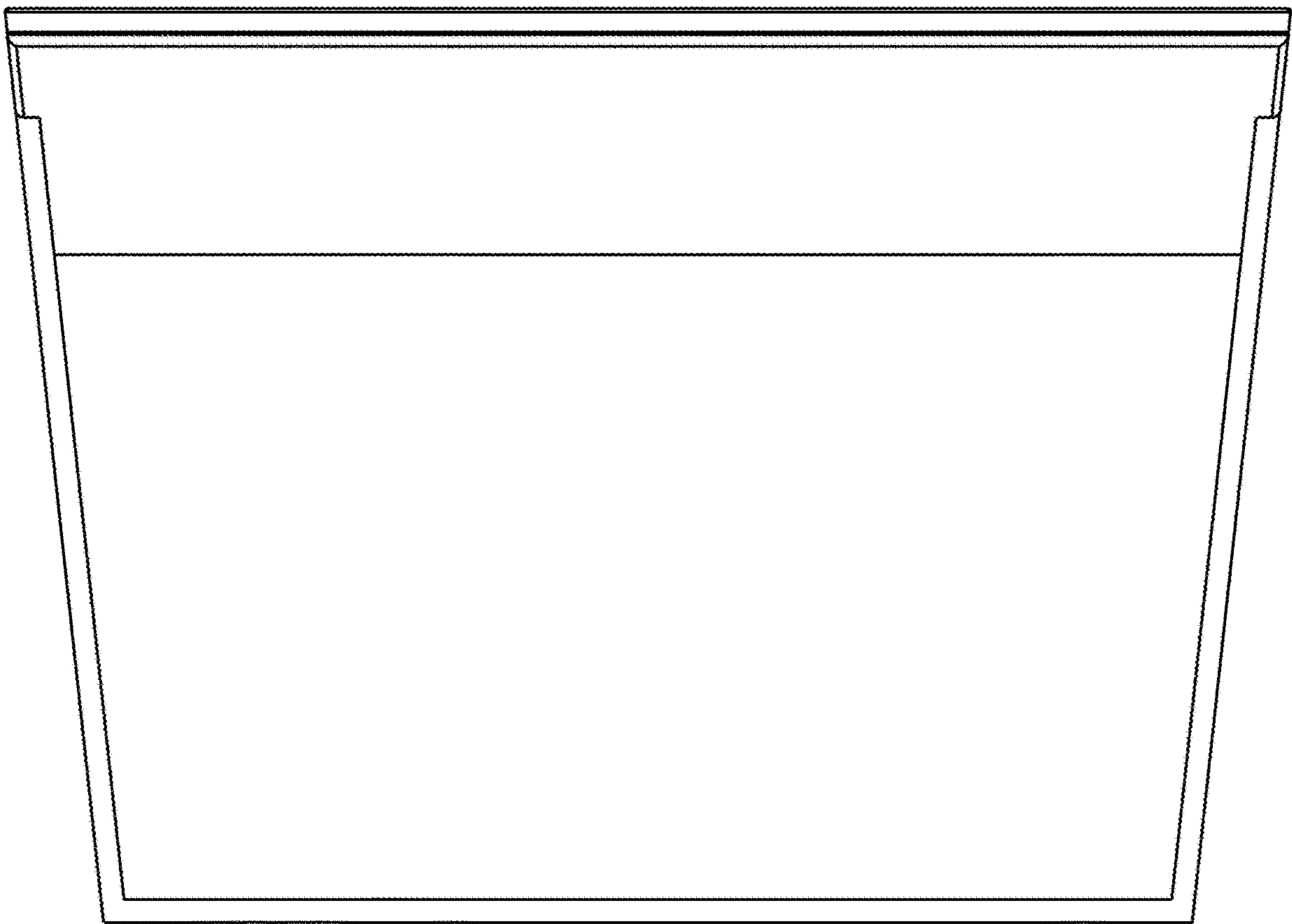
# Fig. 1



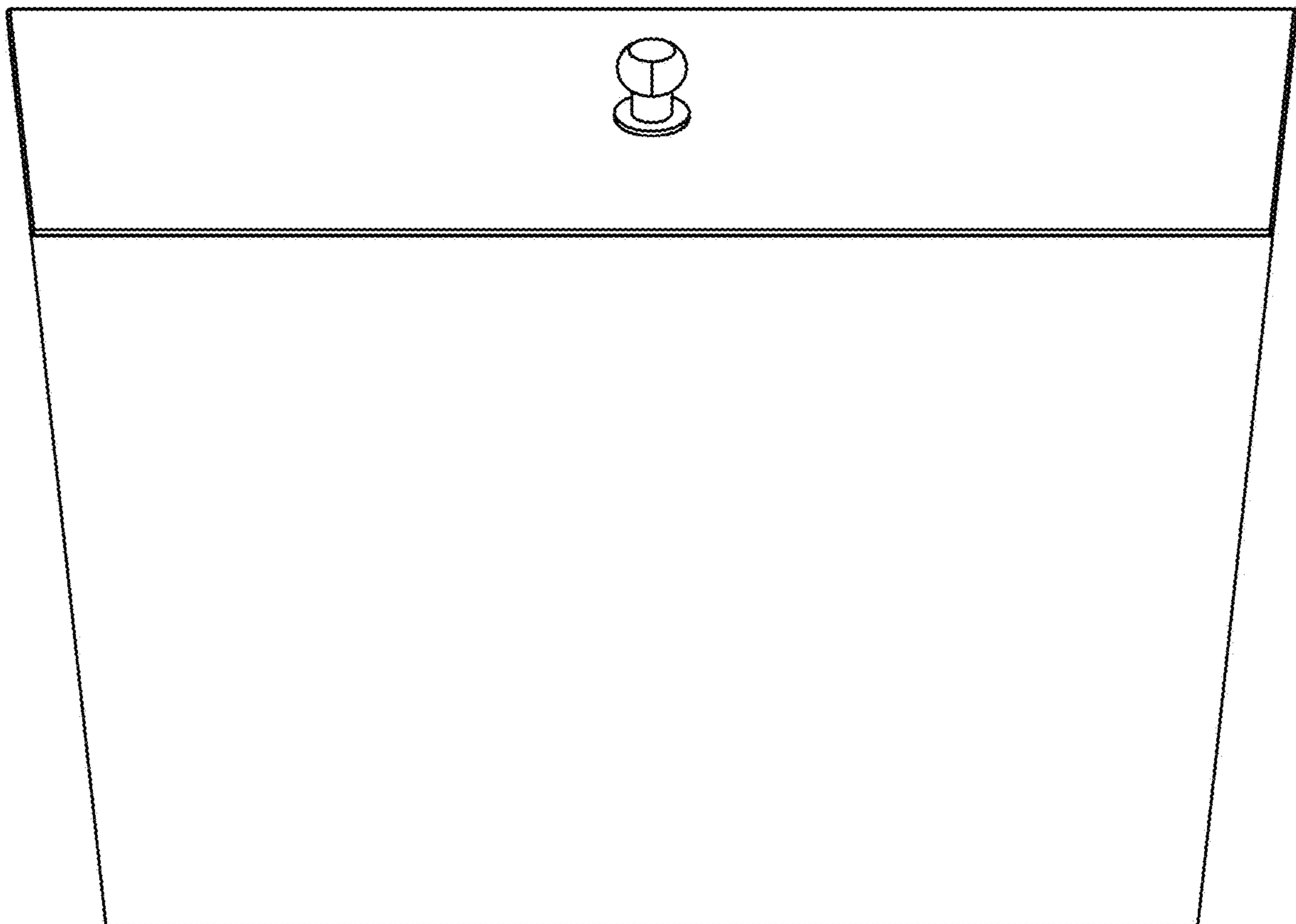
# Fig. 2

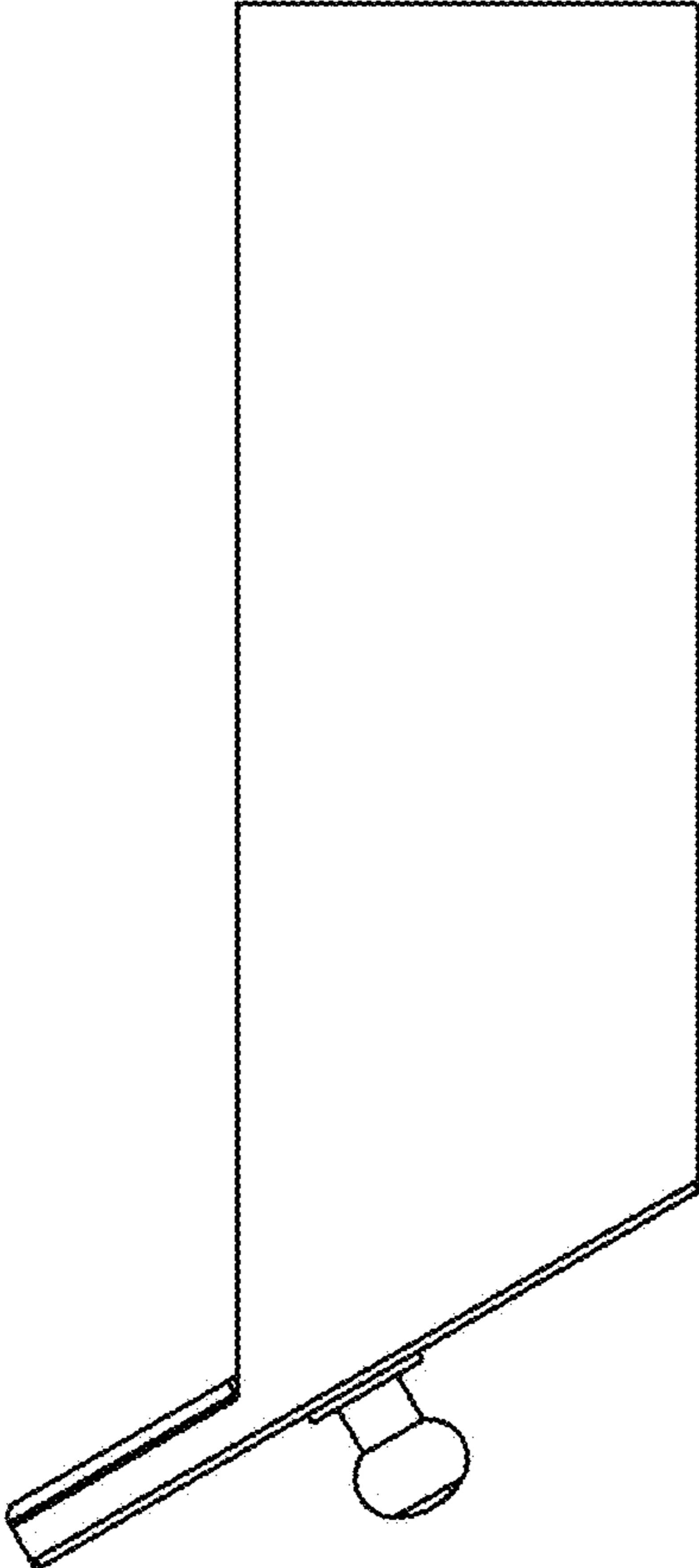


# Fig. 3

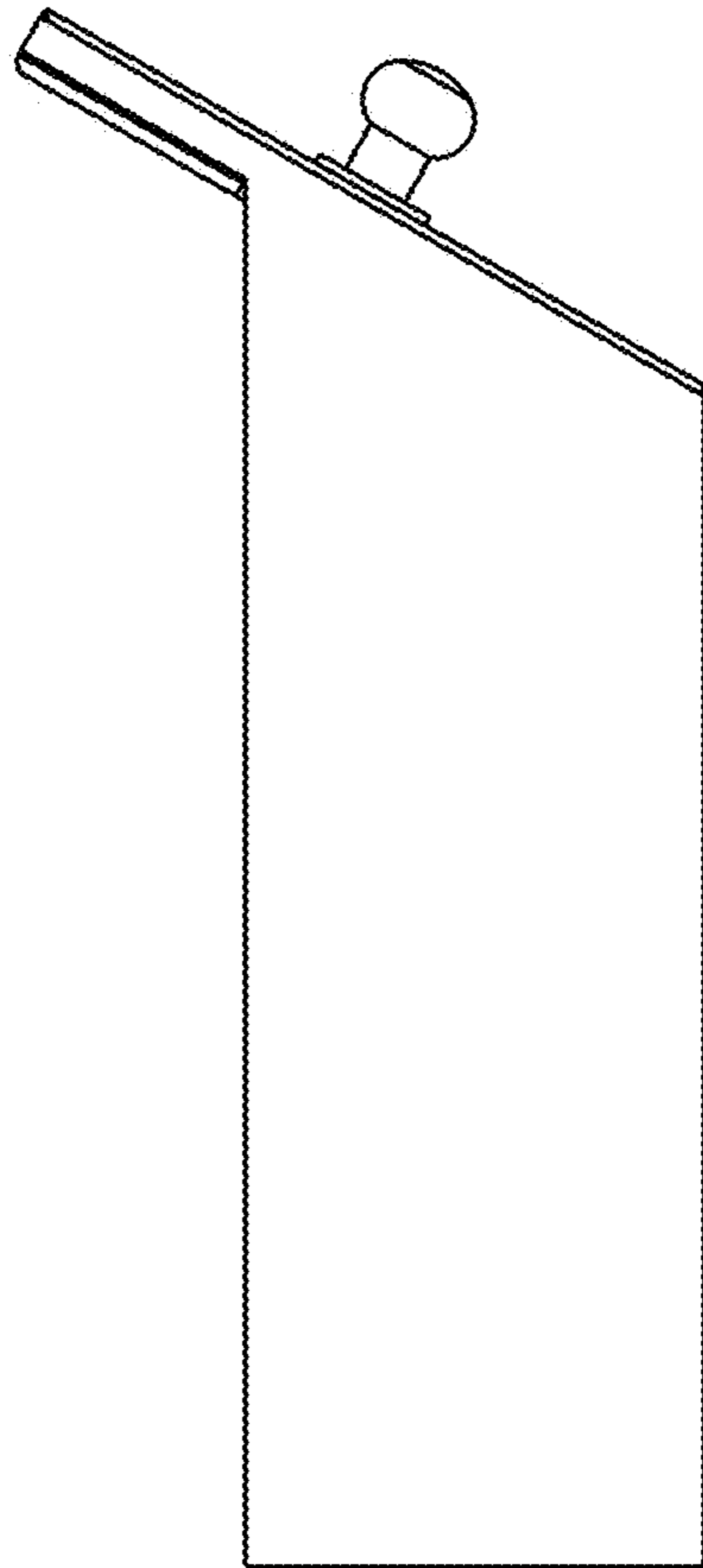


**Fig. 4**

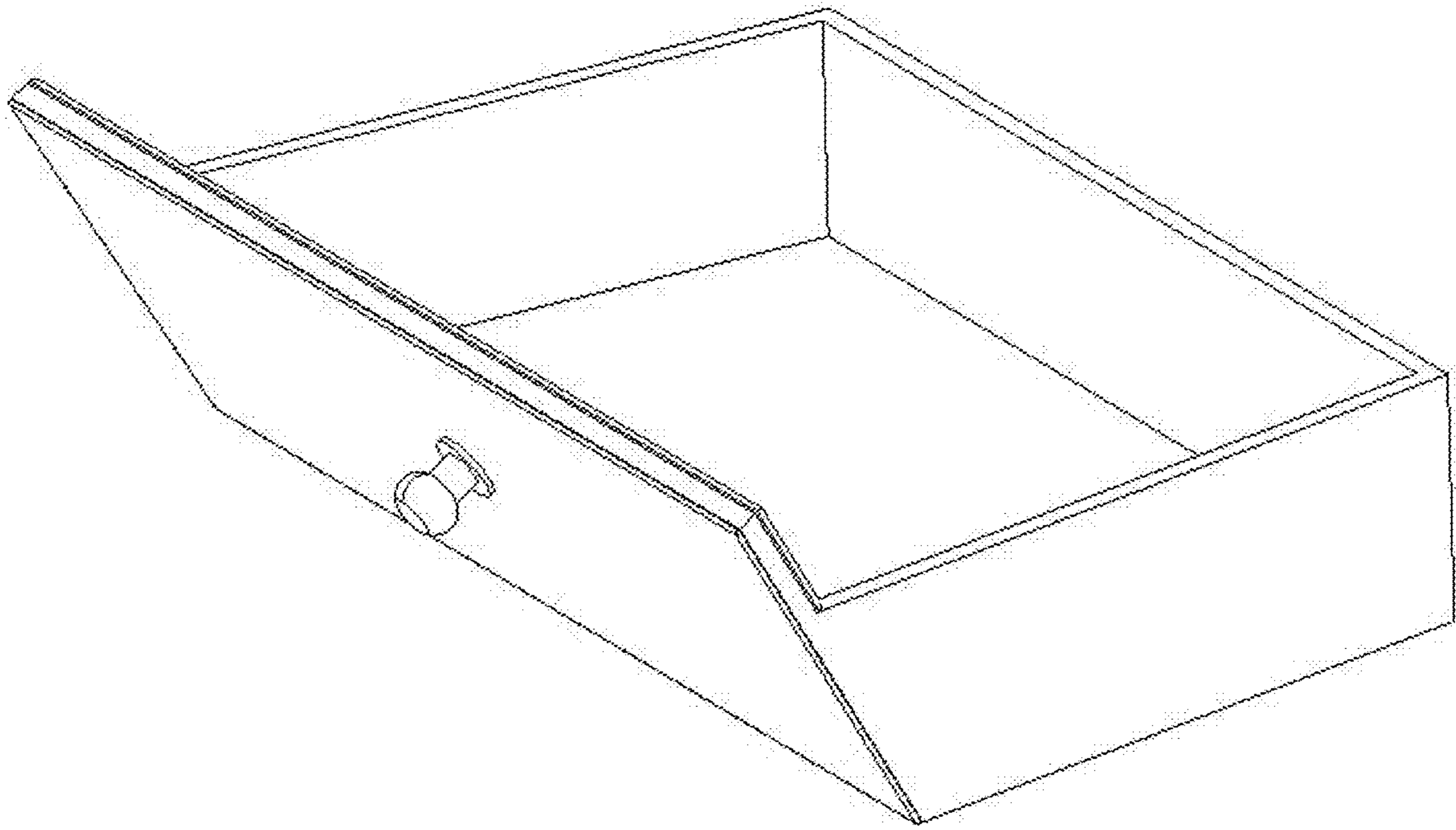




**Fig. 5**



**Fig. 6**



**Fig. 7**